



US00D687222S

(12) **United States Design Patent**  
**Willows et al.**

(10) **Patent No.:** **US D687,222 S**  
(45) **Date of Patent:** **\*\* Aug. 6, 2013**

(54) **HANDHELD BOTTLE SLEEVE**

(71) Applicant: **Amphipod, Inc.**, Seattle, WA (US)

(72) Inventors: **Keith S. Willows**, Seattle, WA (US);  
**June A. Angus**, Seattle, WA (US);  
**Antonio Del Rosario**, Bellevue, WA (US)

(73) Assignee: **Amphipod, Inc.**, Seattle, WA (US)

(\*\*) Term: **14 Years**

(21) Appl. No.: **29/438,362**

(22) Filed: **Nov. 29, 2012**

**Related U.S. Application Data**

(63) Continuation-in-part of application No. 29/424,109, filed on Jun. 7, 2012, now Pat. No. Des. 682,545.

(51) **LOC (9) Cl.** ..... **03-01**

(52) **U.S. Cl.**  
USPC ..... **D3/229**

(58) **Field of Classification Search**  
USPC ..... D3/229, 215, 224, 226; D7/605,  
D7/607-608, 619.1, 619.2; 224/148.3, 148.4,  
224/148.5, 148.6; 215/11.6, 395; 220/592.24,  
220/739, 754, 903

See application file for complete search history.

(56) **References Cited**

**U.S. PATENT DOCUMENTS**

3,212,660 A 10/1965 Adell  
3,533,526 A 10/1970 Adell

(Continued)

*Primary Examiner* — Catheri Oliver-Garcia

(74) *Attorney, Agent, or Firm* — Lowe Graham Jones PLLC

(57) **CLAIM**

We claim the ornamental design for the handheld bottle sleeve, as shown and described.

**DESCRIPTION**

FIGS. 1-7 illustrate a first embodiment of a handheld bottle sleeve, showing our new design.

FIG. 1 is a perspective view of the handheld bottle sleeve.

FIG. 2 is a front view of the handheld bottle sleeve.

FIG. 3 is a left side view of the handheld bottle sleeve.

FIG. 4 is a right side view of the handheld bottle sleeve.

FIG. 5 is a rear view of the handheld bottle sleeve.

FIG. 6 is a top view of the handheld bottle sleeve.

FIG. 7 is a bottom view of the handheld bottle sleeve.

FIGS. 8-14 illustrate a second embodiment of a handheld bottle sleeve.

FIG. 8 is a perspective view of the handheld bottle sleeve.

FIG. 9 is a front view of the handheld bottle sleeve.

FIG. 10 is a left side view of the handheld bottle sleeve.

FIG. 11 is a right side view of the handheld bottle sleeve.

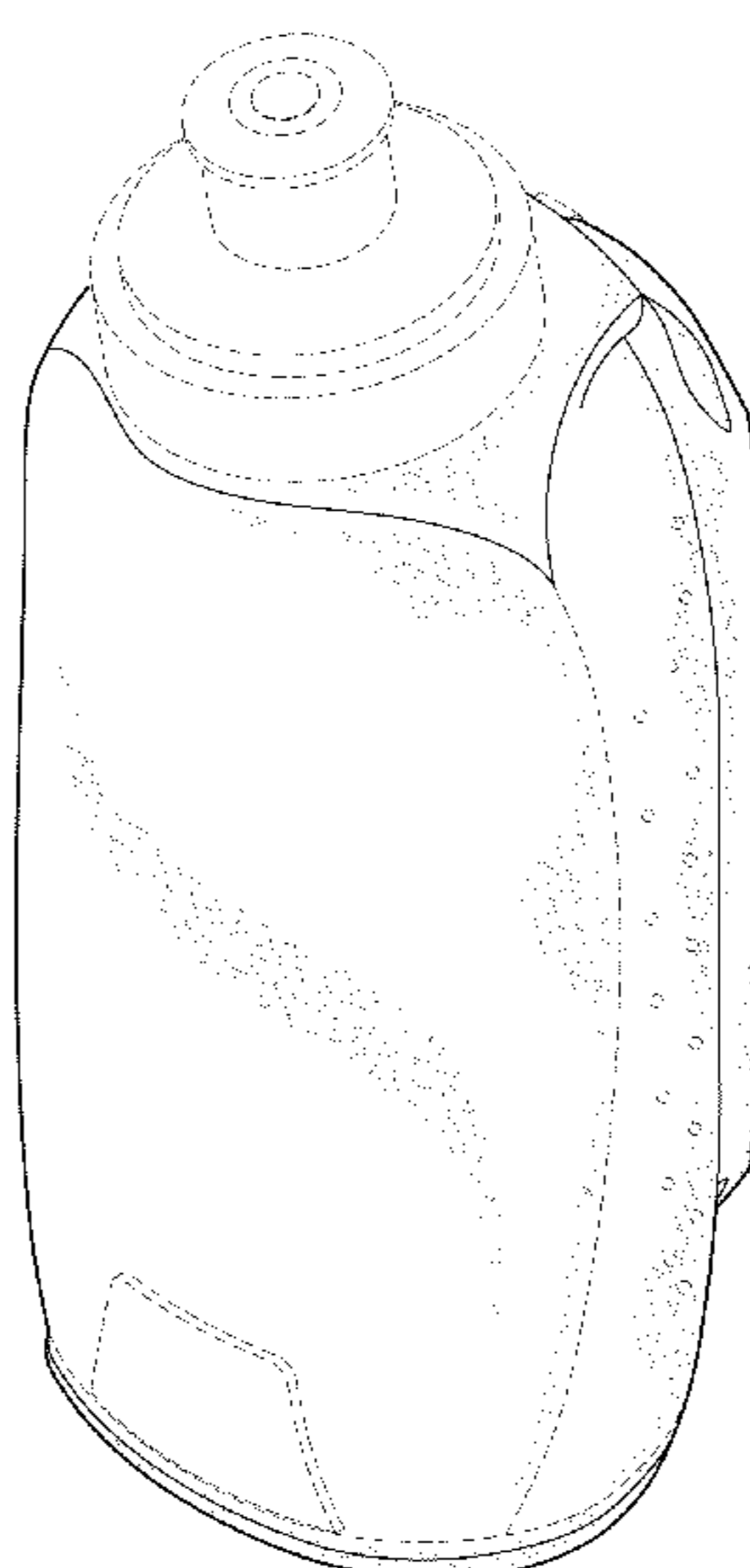
FIG. 12 is a rear view of the handheld bottle sleeve.

FIG. 13 is a top view of the handheld bottle sleeve; and,

FIG. 14 is a bottom view of the handheld bottle sleeve.

Features illustrated in phantom lines are intended to show a preferred environment for the handheld bottle sleeve and form no portion of the claimed invention. As illustrated, an exemplary bottle, bottle cap, zipper, zipper pull, logo tag, and ventilation hole pattern are illustrated in phantom lines and therefore form no part of the claimed invention. A pair of seams formed generally along each of the left and right sides from the top to the bottom of the handheld bottle sleeve is illustrated in phantom, showing a first seam path in the first embodiment and a second seam path in the second embodiment; in each case the seams are possible configurations and form no part of the claimed invention. The handheld bottle sleeve is formed from a flexible material that can expand to accommodate a bottle of different sizes and shapes other than the shape of the particular bottle as illustrated within the handheld bottle sleeve, and therefore the bottle as illustrated depicts a preferred environment for the handheld bottle sleeve.

**1 Claim, 10 Drawing Sheets**



# US D687,222 S

Page 2

---

U.S. PATENT DOCUMENTS			
3,537,498	A	11/1970	Amand
3,964,709	A	6/1976	LaBelle et al.
3,981,166	A	9/1976	Madonna
4,366,922	A	1/1983	Levine et al.
4,401,245	A *	8/1983	Zills ..... 224/148.3
D285,659	S	9/1986	Paulovich et al.
4,723,801	A	2/1988	Musumeci et al.
RE34,725	E	9/1994	Braden
D385,106	S *	10/1997	Melk ..... D3/215
6,019,245	A *	2/2000	Foster et al. .... 220/739
D467,418	S *	12/2002	Perron ..... D3/229
D494,471	S	8/2004	Chou
6,837,472	B1	1/2005	Beutz
D502,366	S	3/2005	Strepkoff
7,845,506	B2	12/2010	Willows et al.
D647,695	S *	11/2011	Enghard ..... D3/229
D653,445	S *	2/2012	Enghard ..... D3/229

\* cited by examiner

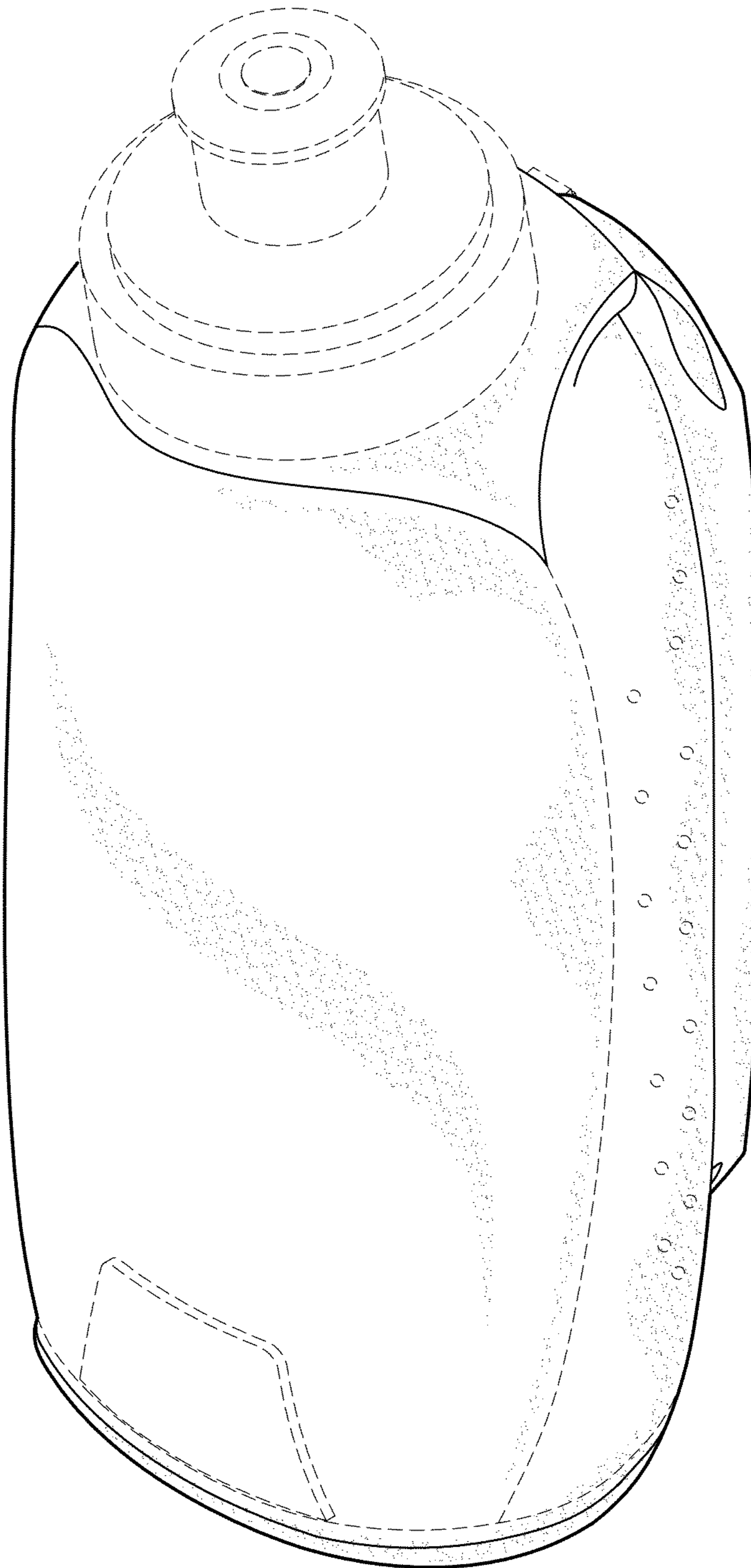


FIG. 1

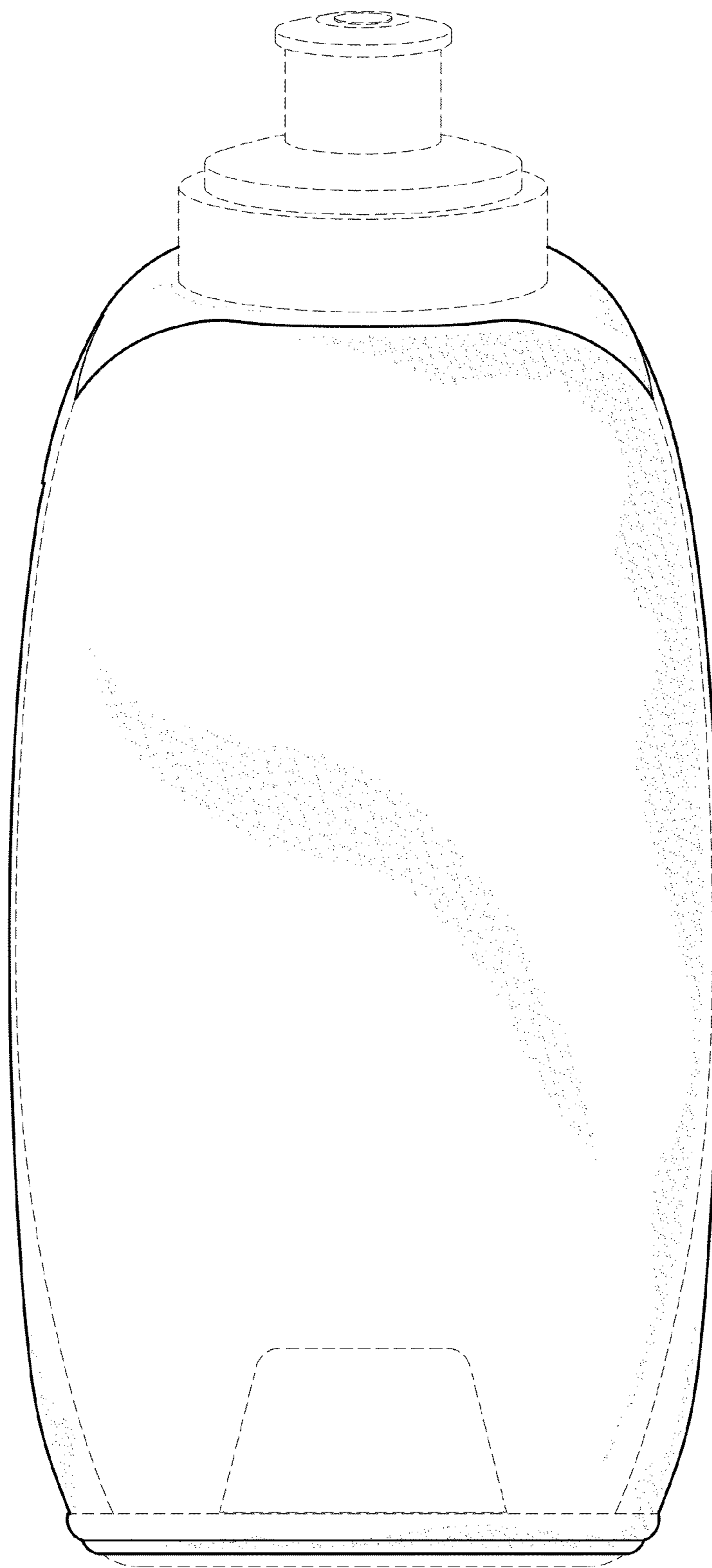


FIG. 2

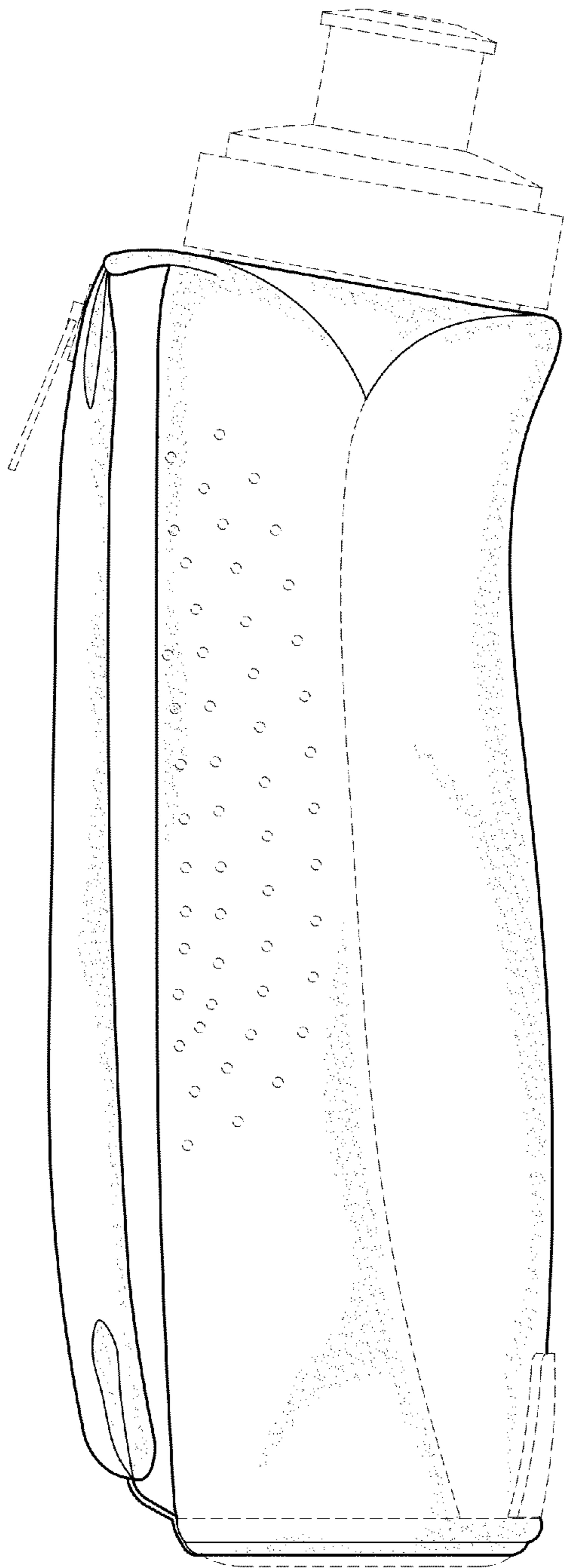


FIG. 3

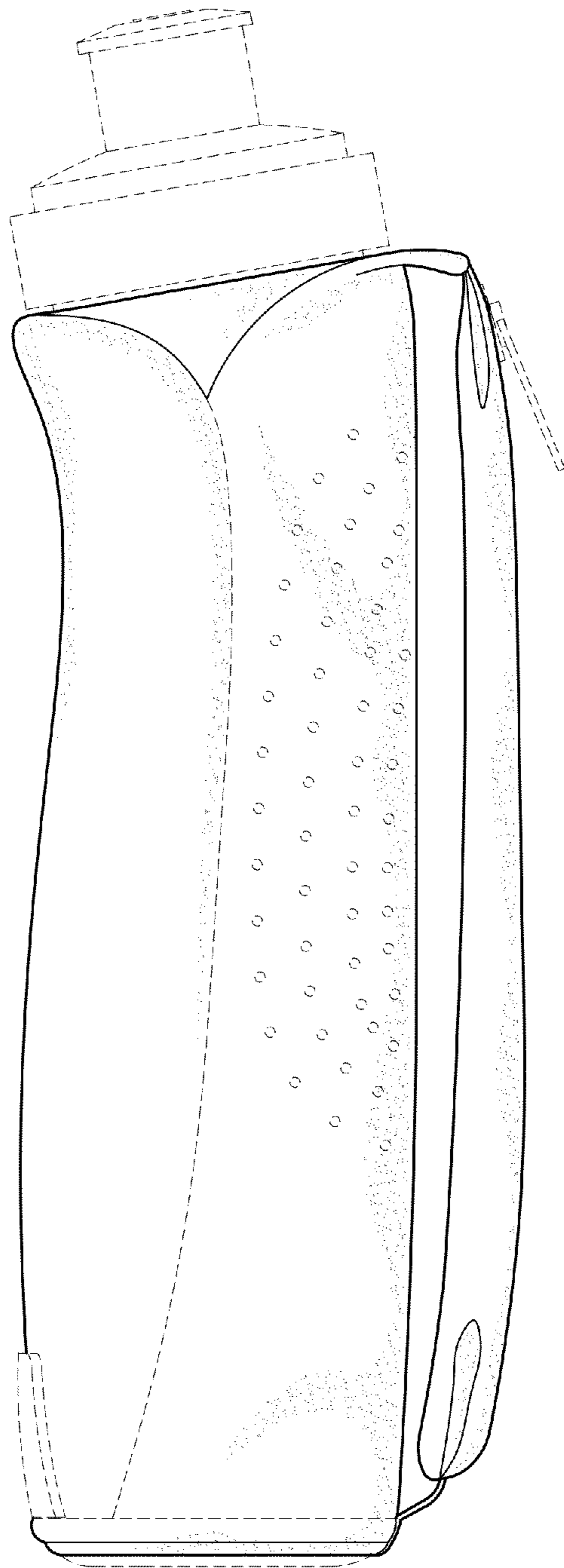


FIG. 4

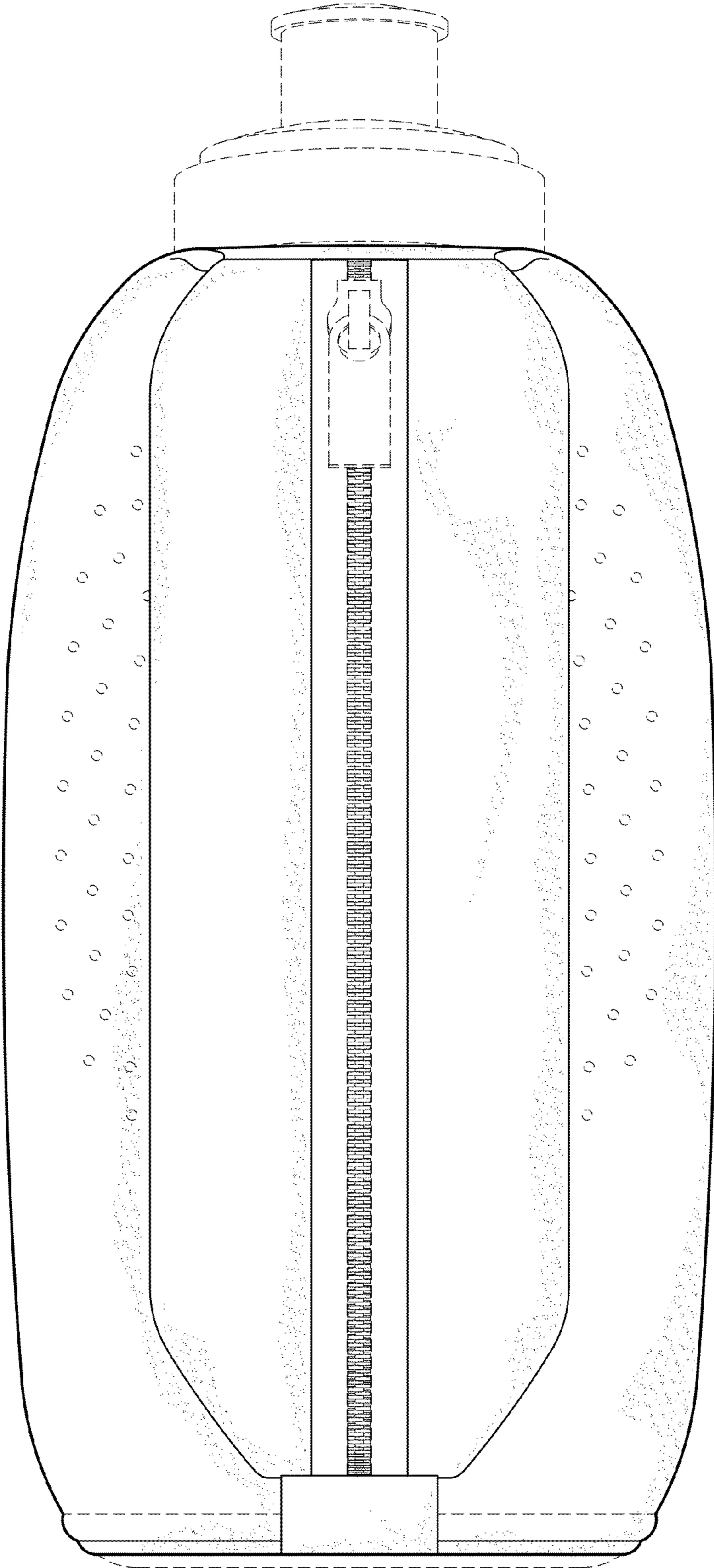


FIG. 5

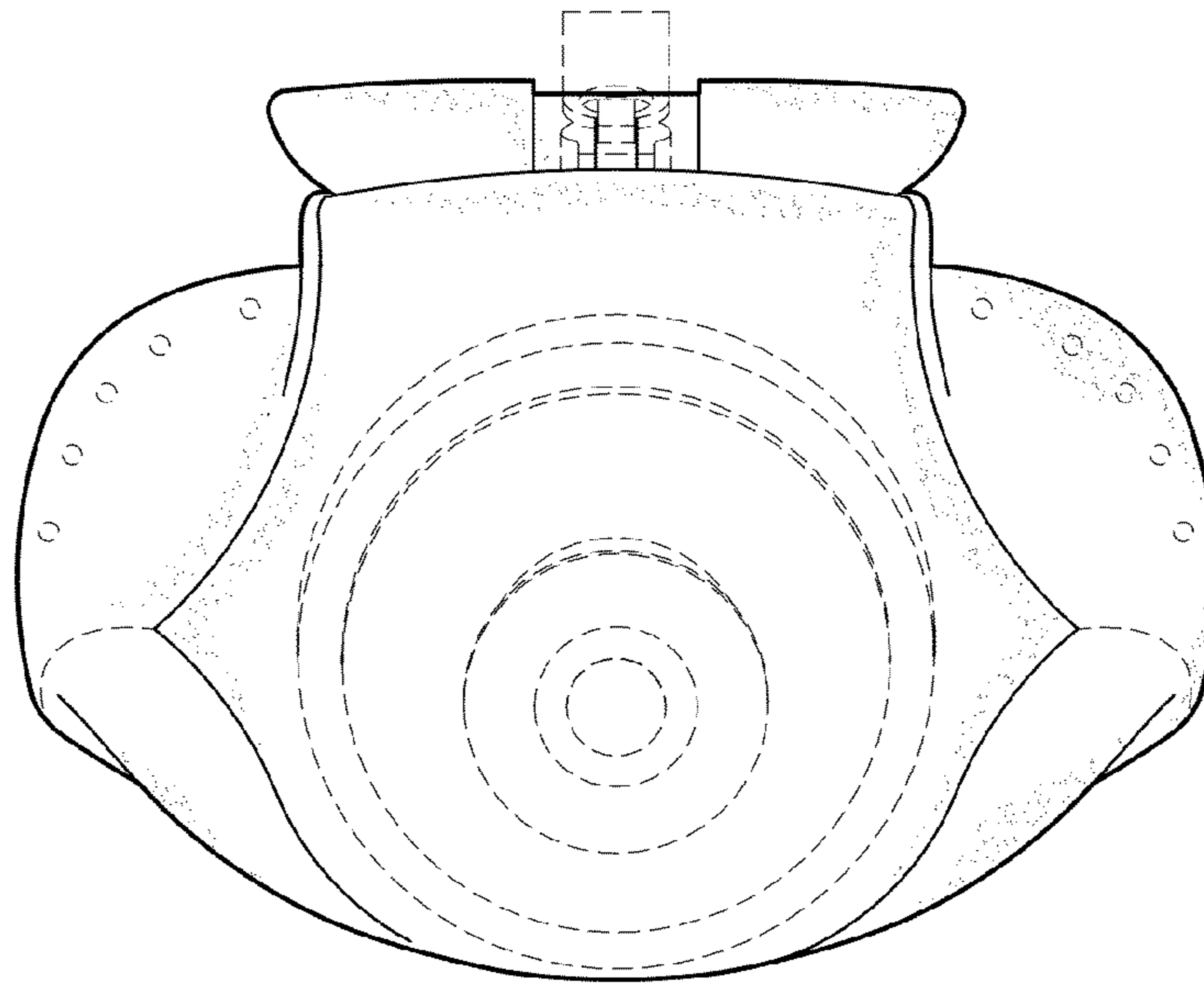


FIG. 6

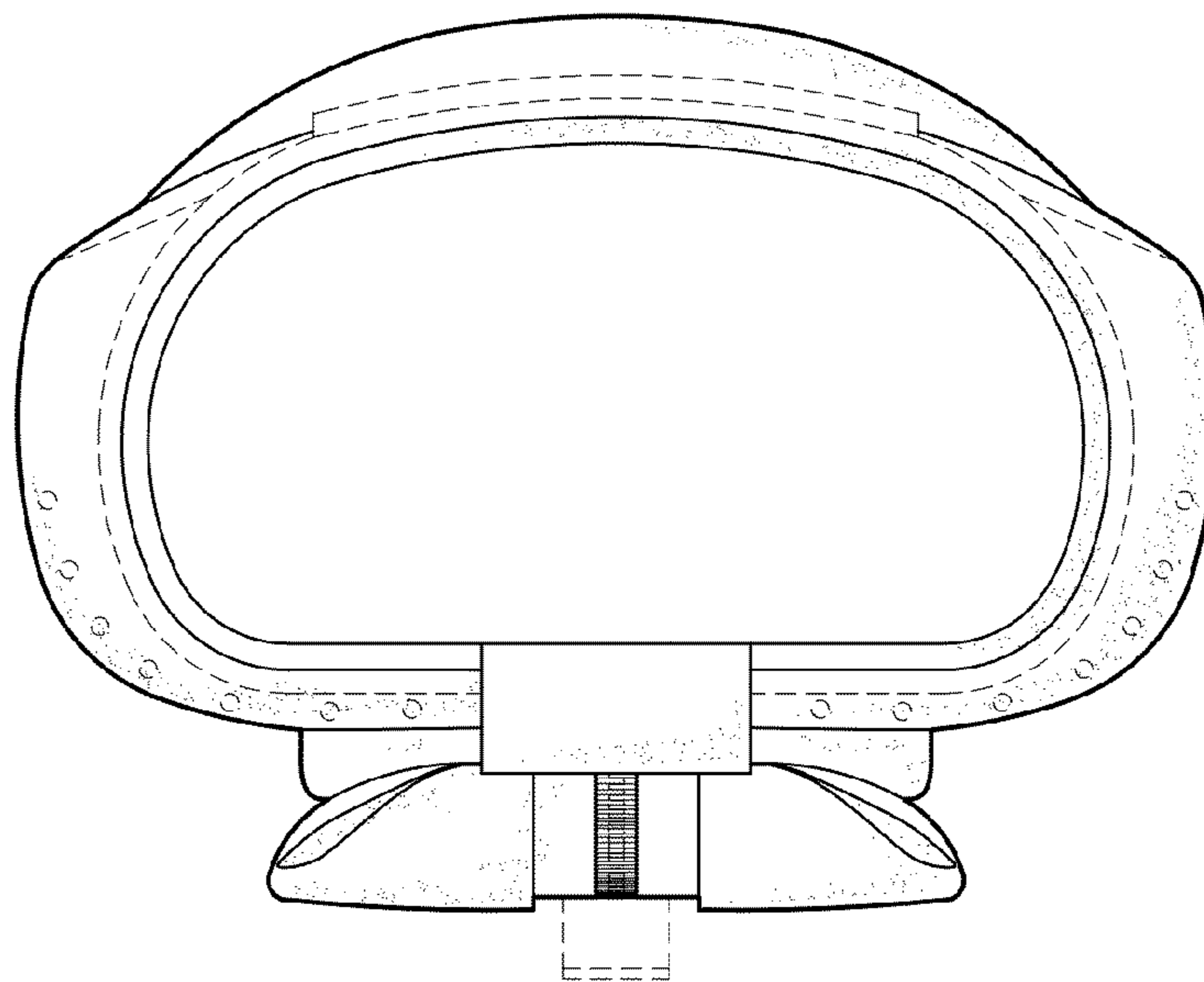


FIG. 7

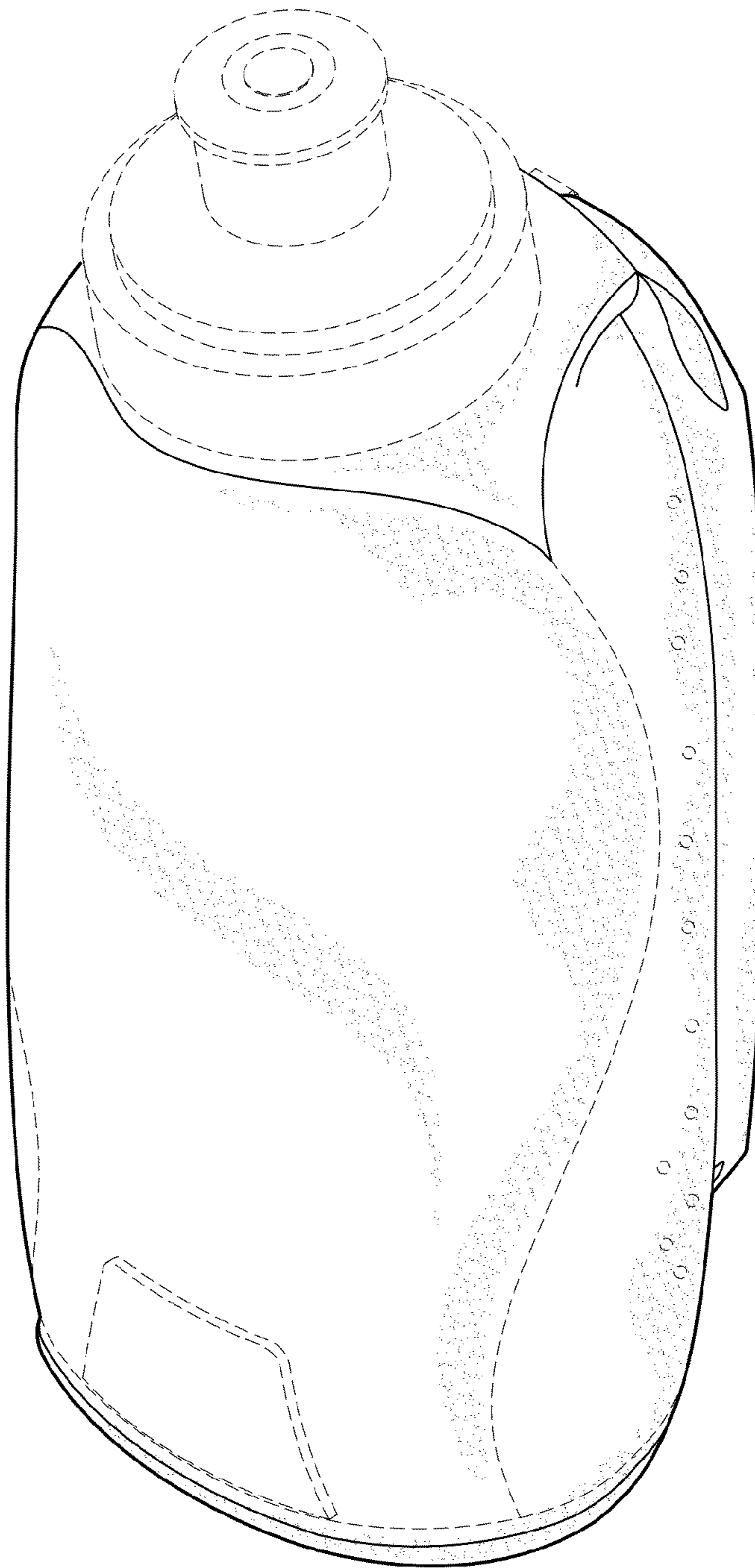


FIG. 8



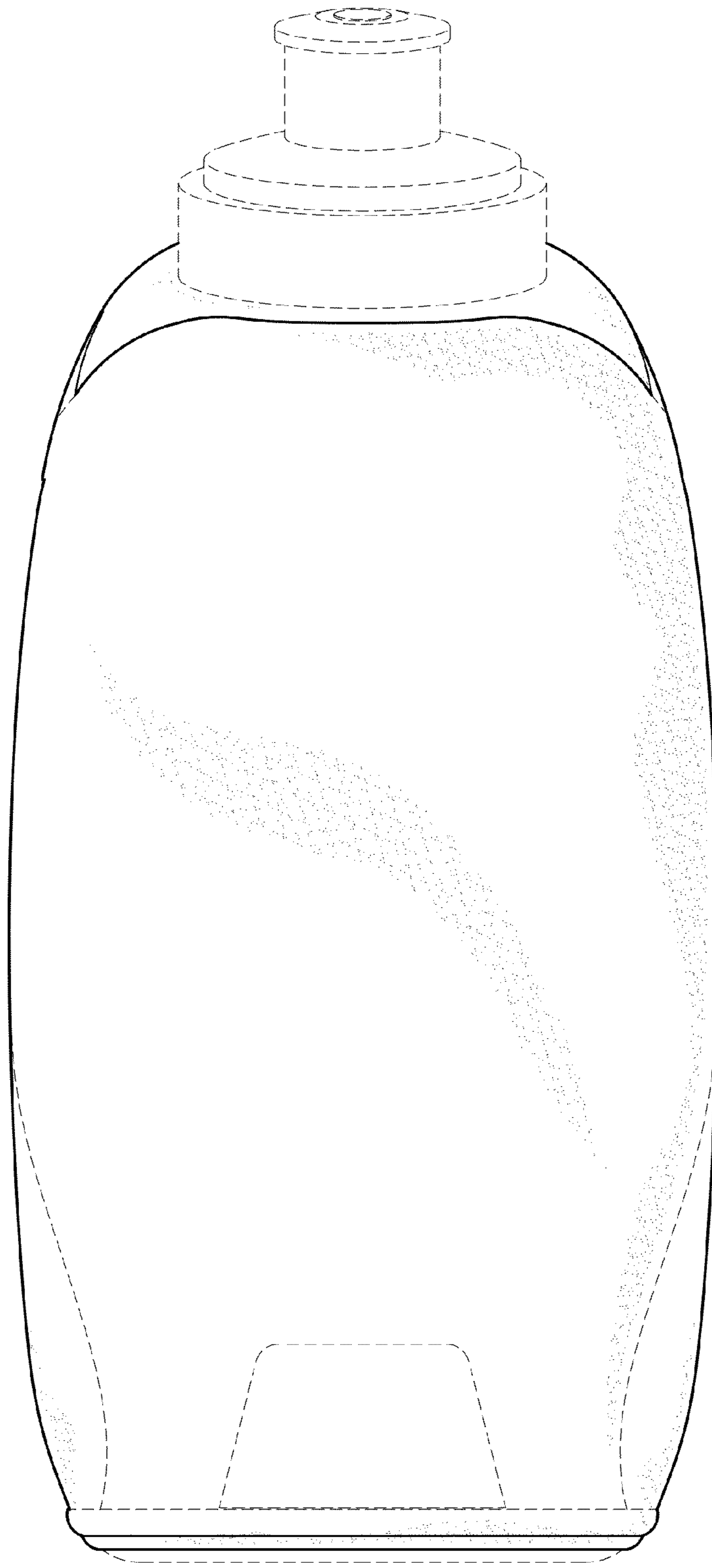


FIG. 9

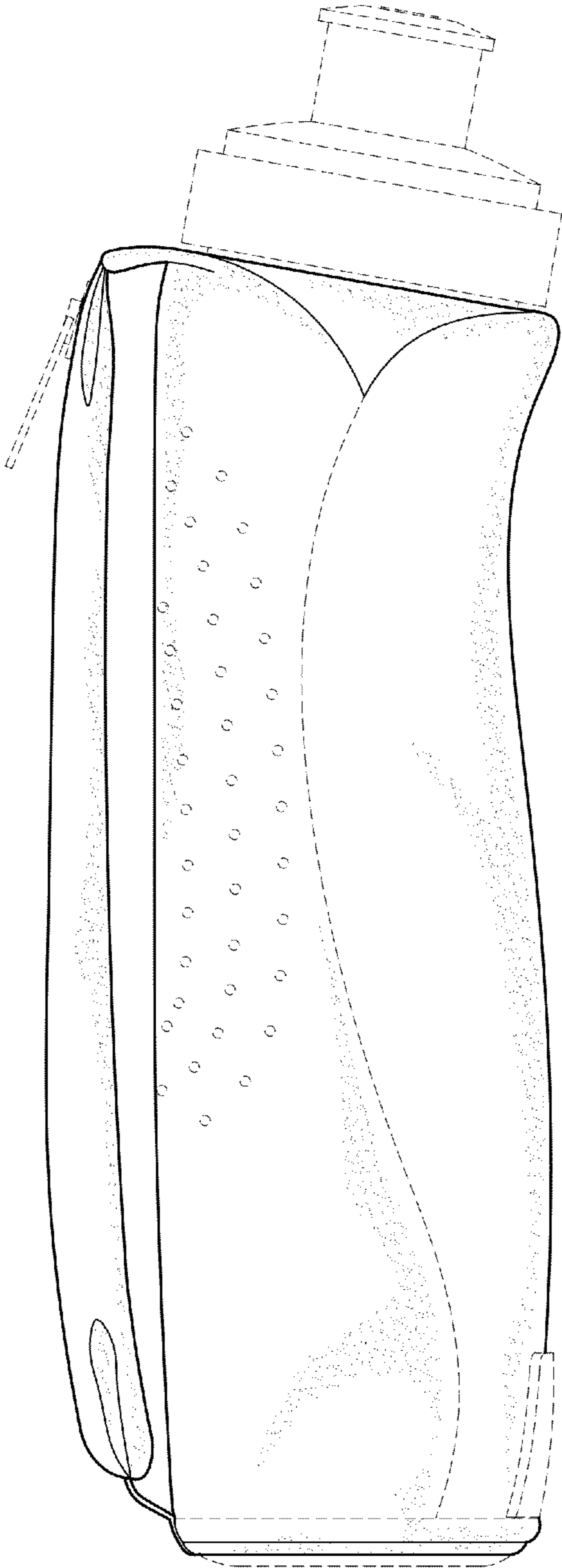


FIG.10

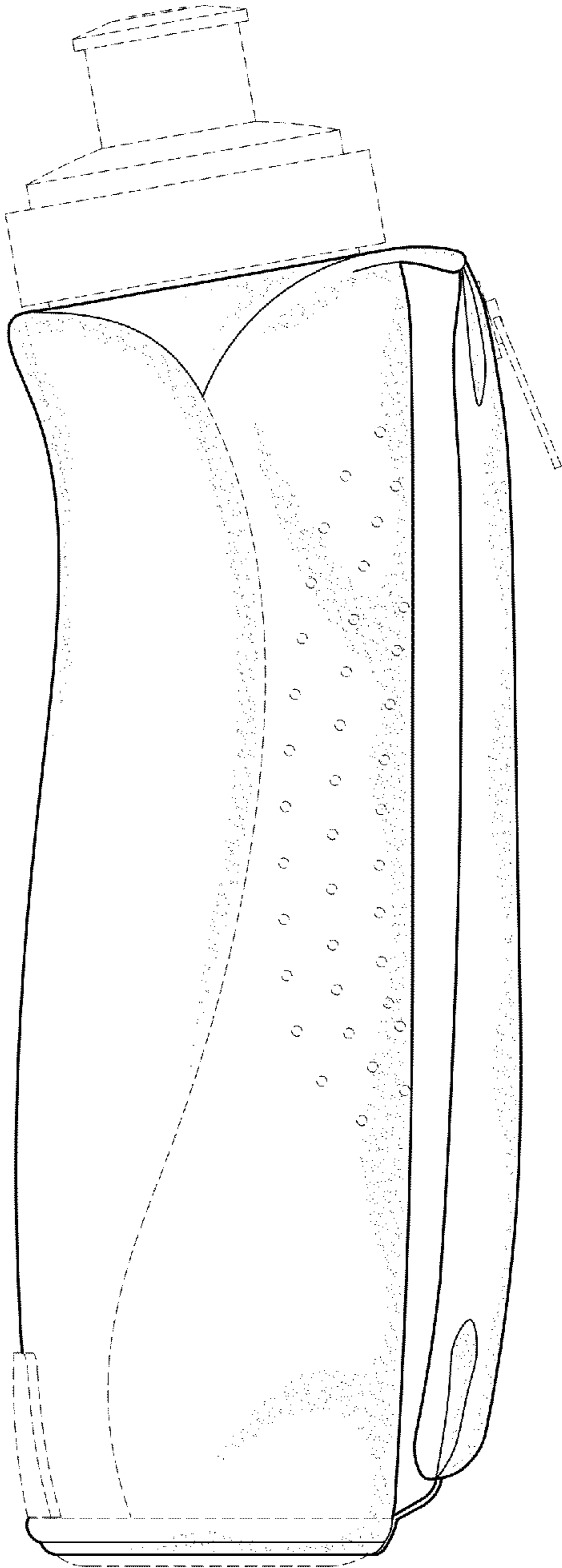


FIG.11

687222

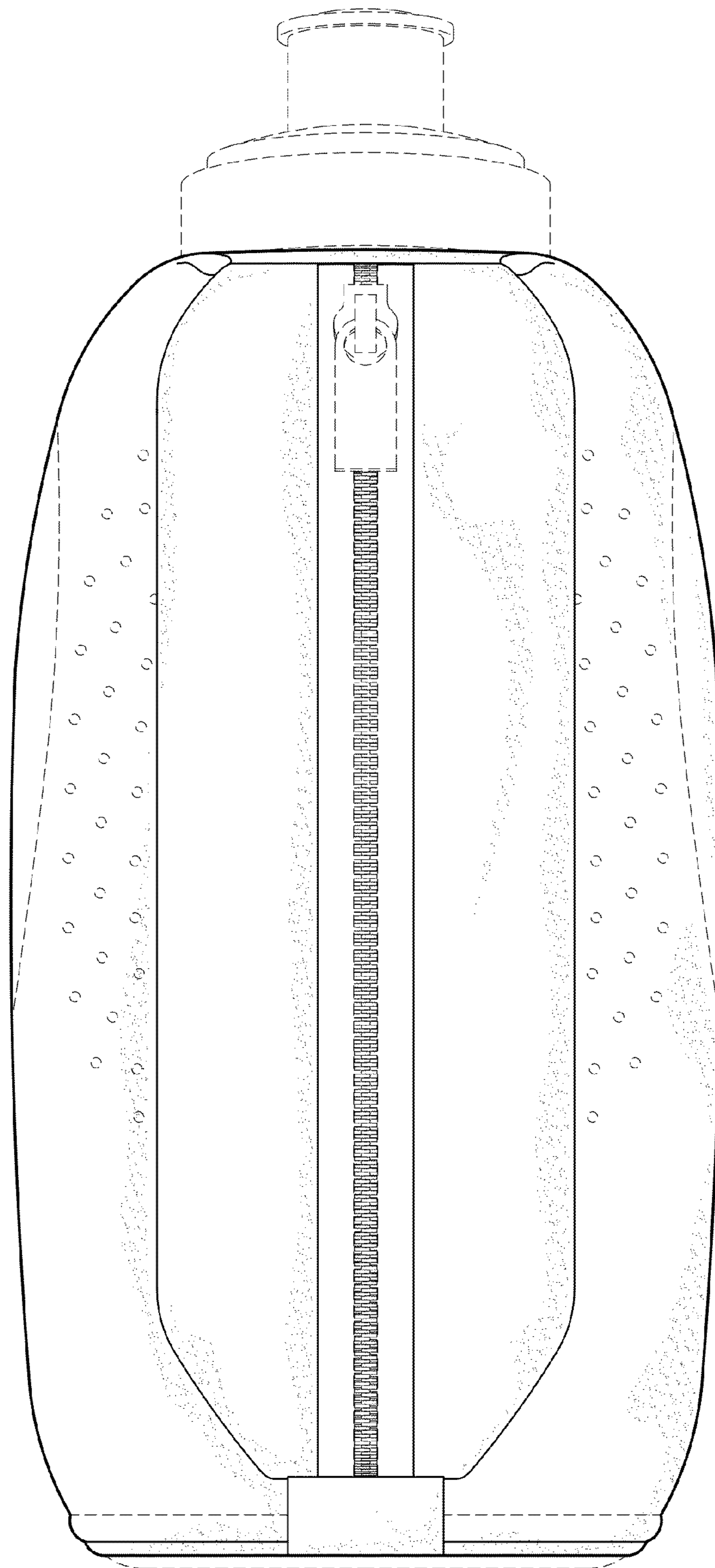


FIG.12

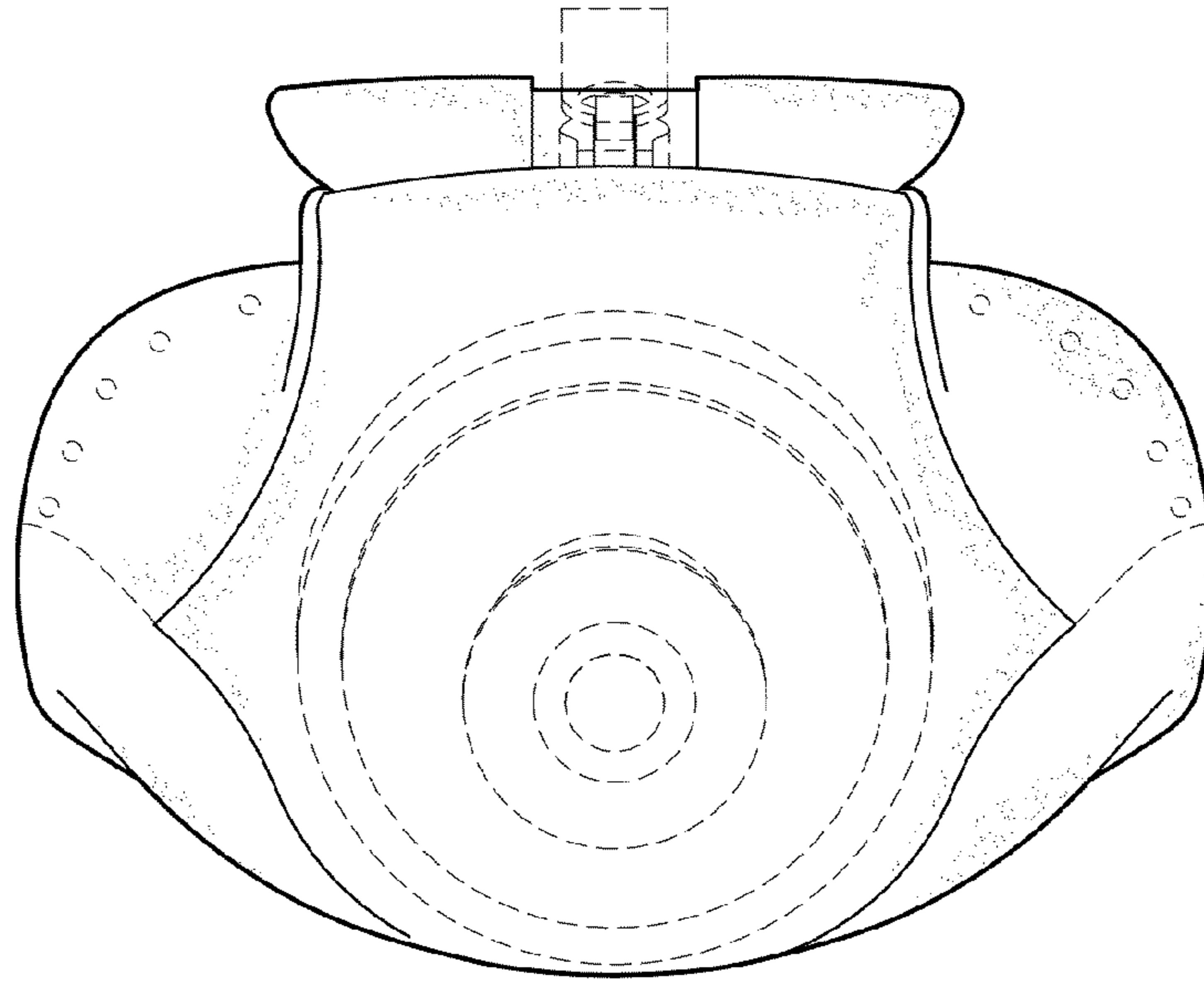


FIG.13

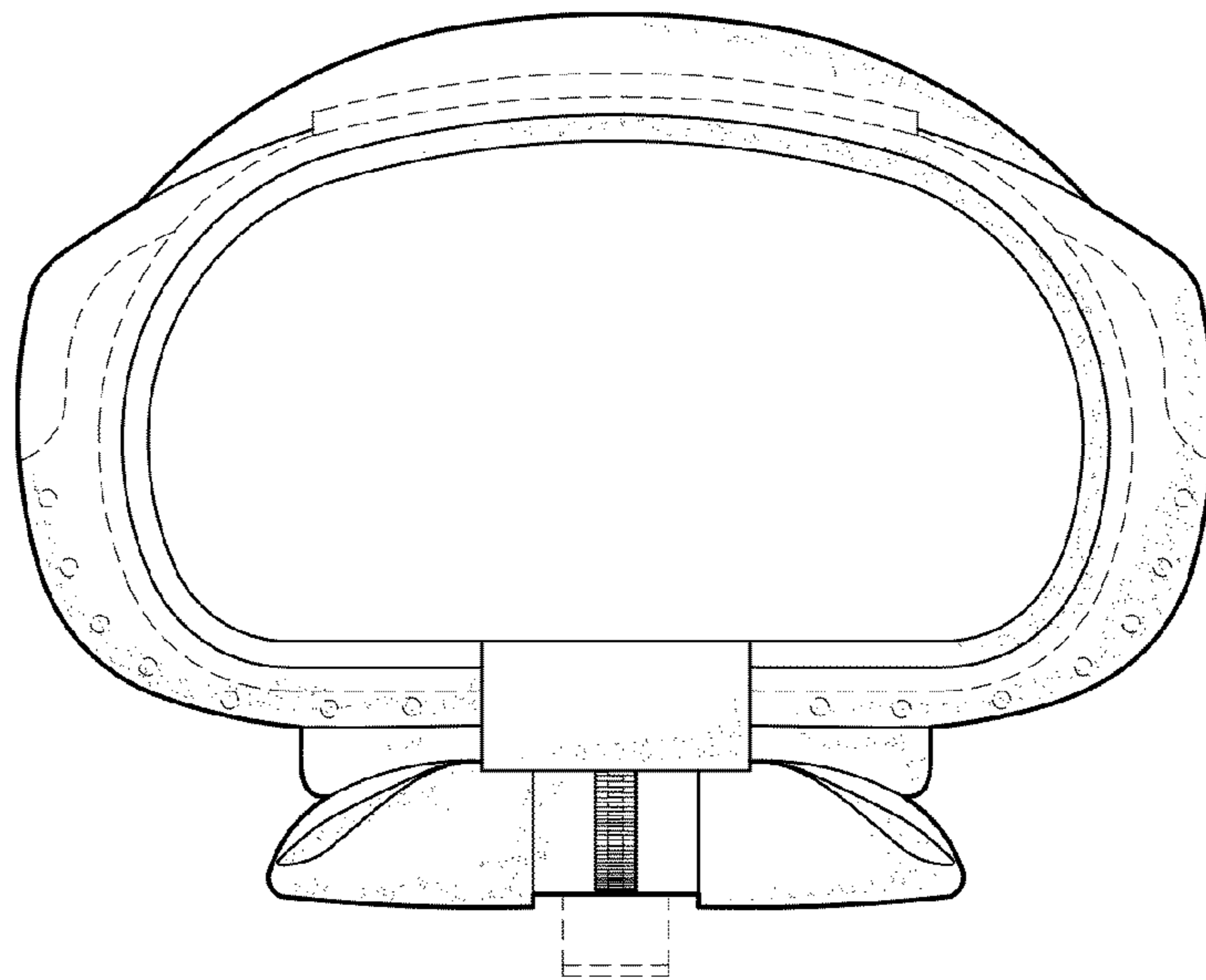


FIG.14