



US00D687203S

(12) **United States Design Patent**  
**Long et al.**

(10) **Patent No.:** **US D687,203 S**  
(45) **Date of Patent:** **\*\* Jul. 30, 2013**

(54) **FOLDABLE DRYING RACK FOR PLASTIC BAGS AND OTHER ARTICLES**

(71) Applicants: **John B. Long**, Doylestown, PA (US);  
**Thomas A. Klos**, Jenkintown, PA (US)

(72) Inventors: **John B. Long**, Doylestown, PA (US);  
**Thomas A. Klos**, Jenkintown, PA (US)

(73) Assignee: **Lean L. Berkowitz Company**, Glenside, PA (US)

(\*\*) Term: **14 Years**

(21) Appl. No.: **29/445,936**

(22) Filed: **Feb. 19, 2013**

(51) **LOC (9) Cl.** ..... **07-05**

(52) **U.S. Cl.**  
USPC ..... **D32/58**

(58) **Field of Classification Search**  
USPC ..... D6/403-405, 429-431, 495, 509,  
D6/556-558; D32/58; D8/1; D11/143-156,  
D11/164; D19/77, 80, 81, 84; D25/100;  
D26/9-11, 16, 19; D34/1, 2, 4-6; 211/200,  
211/201, 202; 224/497

See application file for complete search history.

(56) **References Cited**

**U.S. PATENT DOCUMENTS**

63,383	A *	4/1867	Hanks	248/97
222,542	A *	12/1879	Stearns	211/200
783,853	A *	2/1905	Bernhard	211/200
995,771	A *	6/1911	Coyle	224/497
1,489,527	A *	4/1924	Henry	220/6

1,692,704	A *	11/1928	Rohrig	280/43.16
1,738,516	A *	12/1929	Bloom	211/202
D286,099	S *	10/1986	Risch	D34/6
D322,698	S *	12/1991	Cassel	D32/58
5,080,237	A	1/1992	Hefner	
5,188,244	A	2/1993	Hollstegge	
5,234,116	A *	8/1993	Kristinsson et al.	211/201
5,303,827	A	4/1994	Ross	
D383,274	S	9/1997	Wilson	
5,794,792	A	8/1998	Convertino	
5,901,861	A	5/1999	Huguet	
6,640,982	B1	11/2003	Bjerke	
D488,603	S	4/2004	Bardenhagen-Shuster	
6,938,807	B2 *	9/2005	Victor	224/497
7,475,785	B1	1/2009	Kidd	
D642,401	S *	8/2011	Lien et al.	D6/403
8,286,810	B2 *	10/2012	Sabounjian	211/200

\* cited by examiner

*Primary Examiner* — Austin Murphy

(74) *Attorney, Agent, or Firm* — Caesar, Rivise, Bernstein, Cohen & Pokotilow, Ltd.

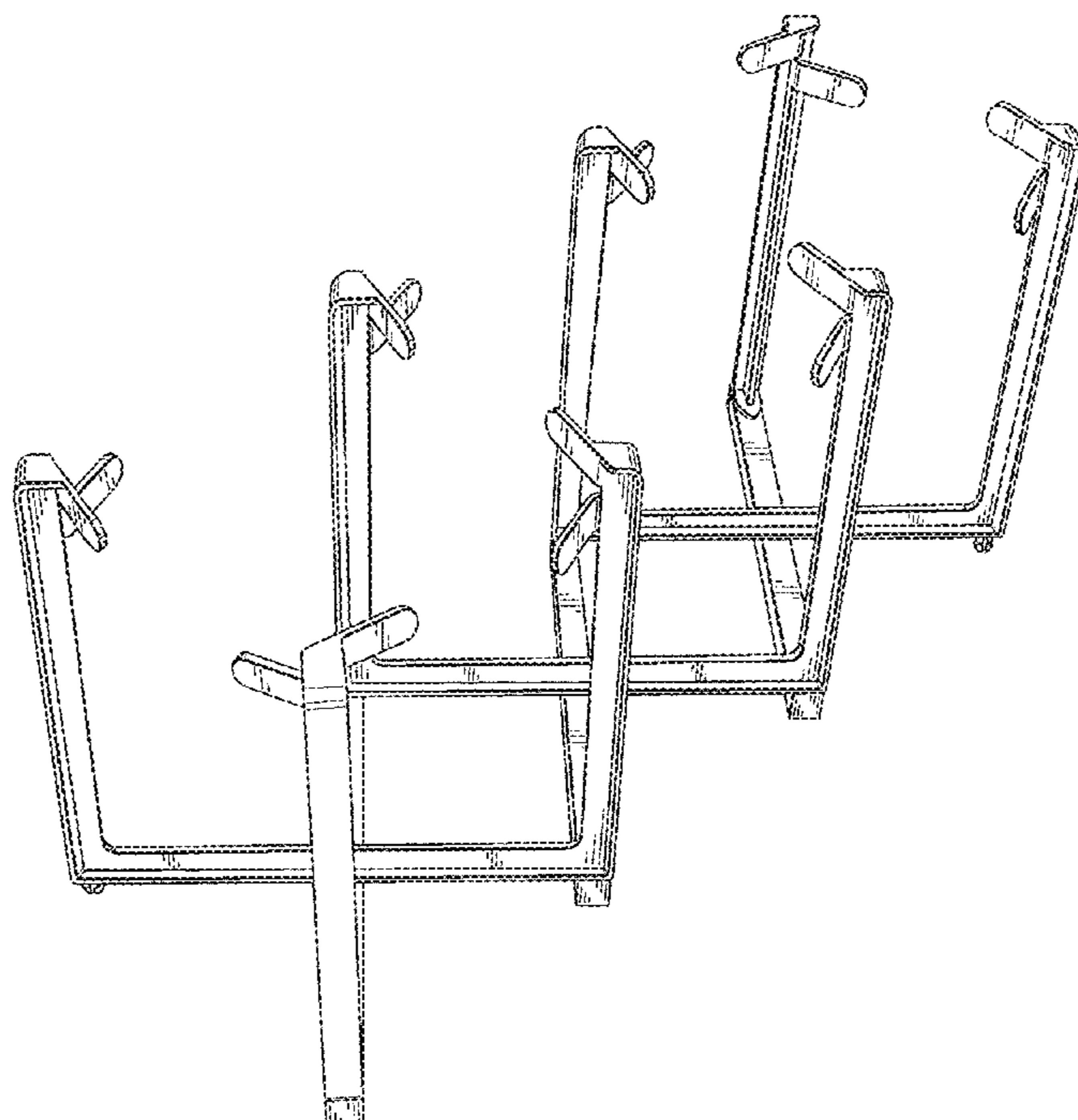
(57) **CLAIM**

The ornamental design for a foldable drying rack for plastic bags and other articles, as shown and described.

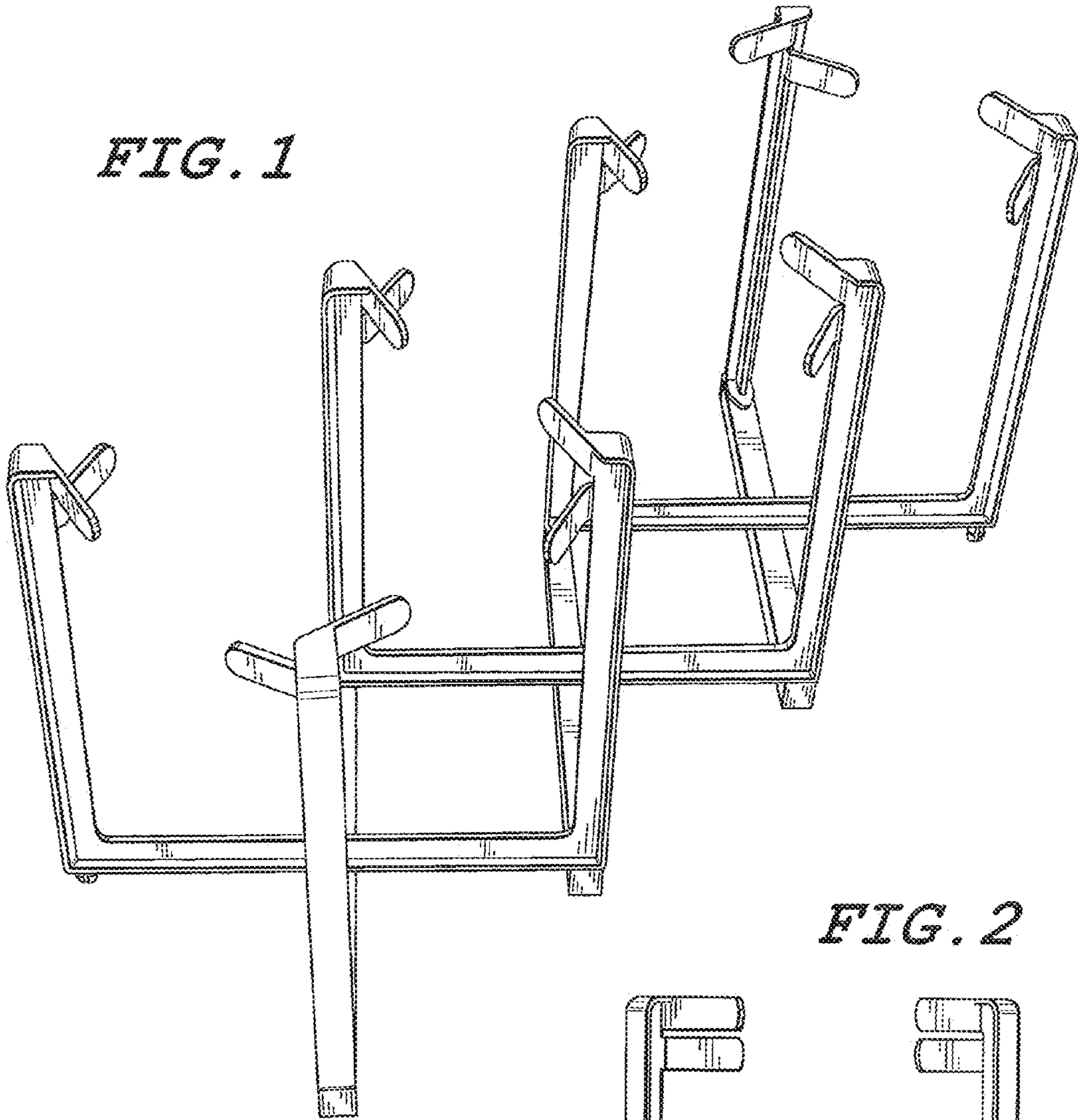
**DESCRIPTION**

FIG. 1 is a perspective view of a foldable drying rack for plastic bags and other articles in accordance with a preferred embodiment of our new design; FIG. 2 is an end elevational view thereof; FIG. 3 is a side elevational view thereof; FIG. 4 is a top plan view thereof; and, FIG. 5 is a bottom plan view thereof.

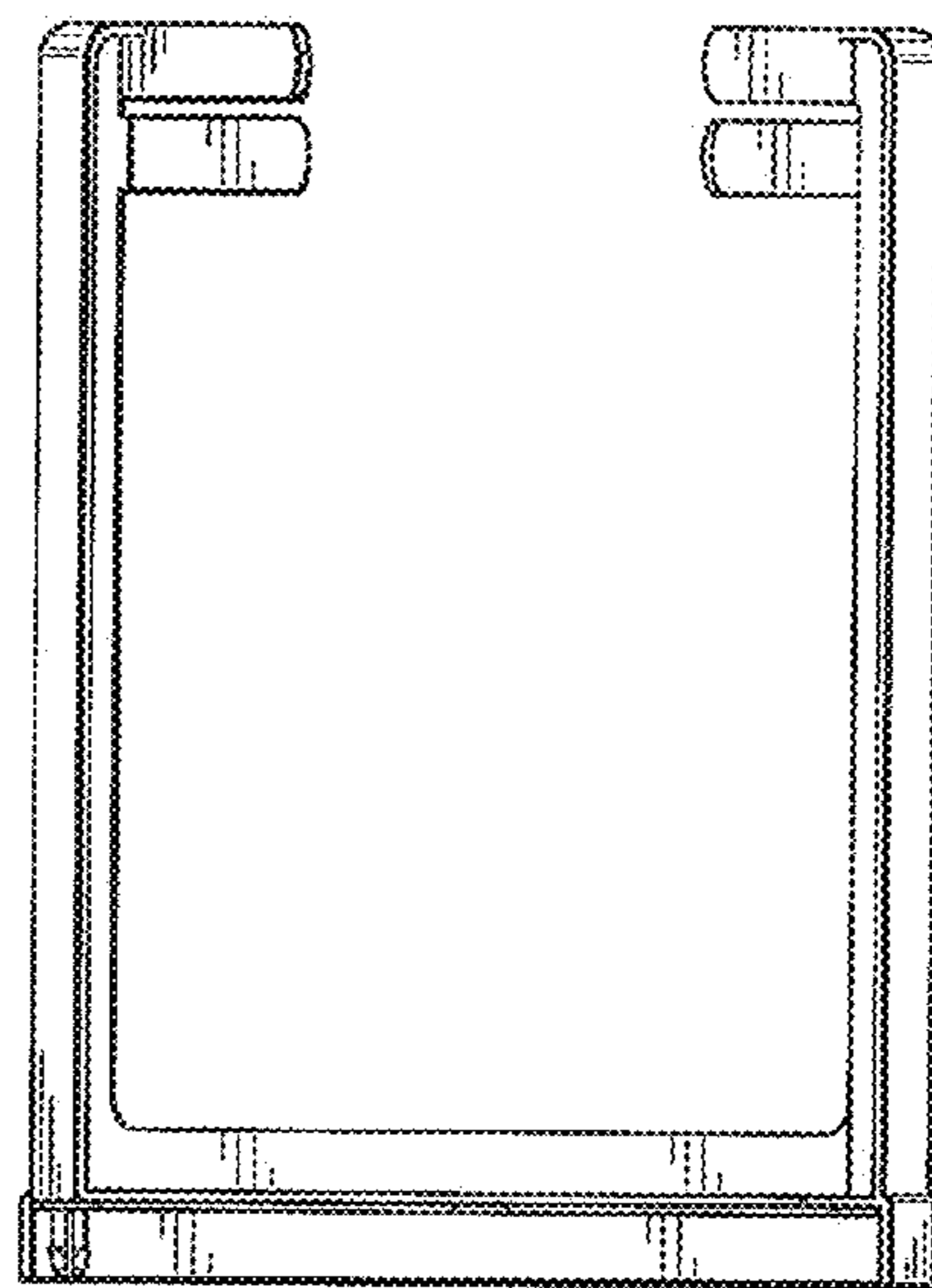
**1 Claim, 2 Drawing Sheets**



*FIG. 1*

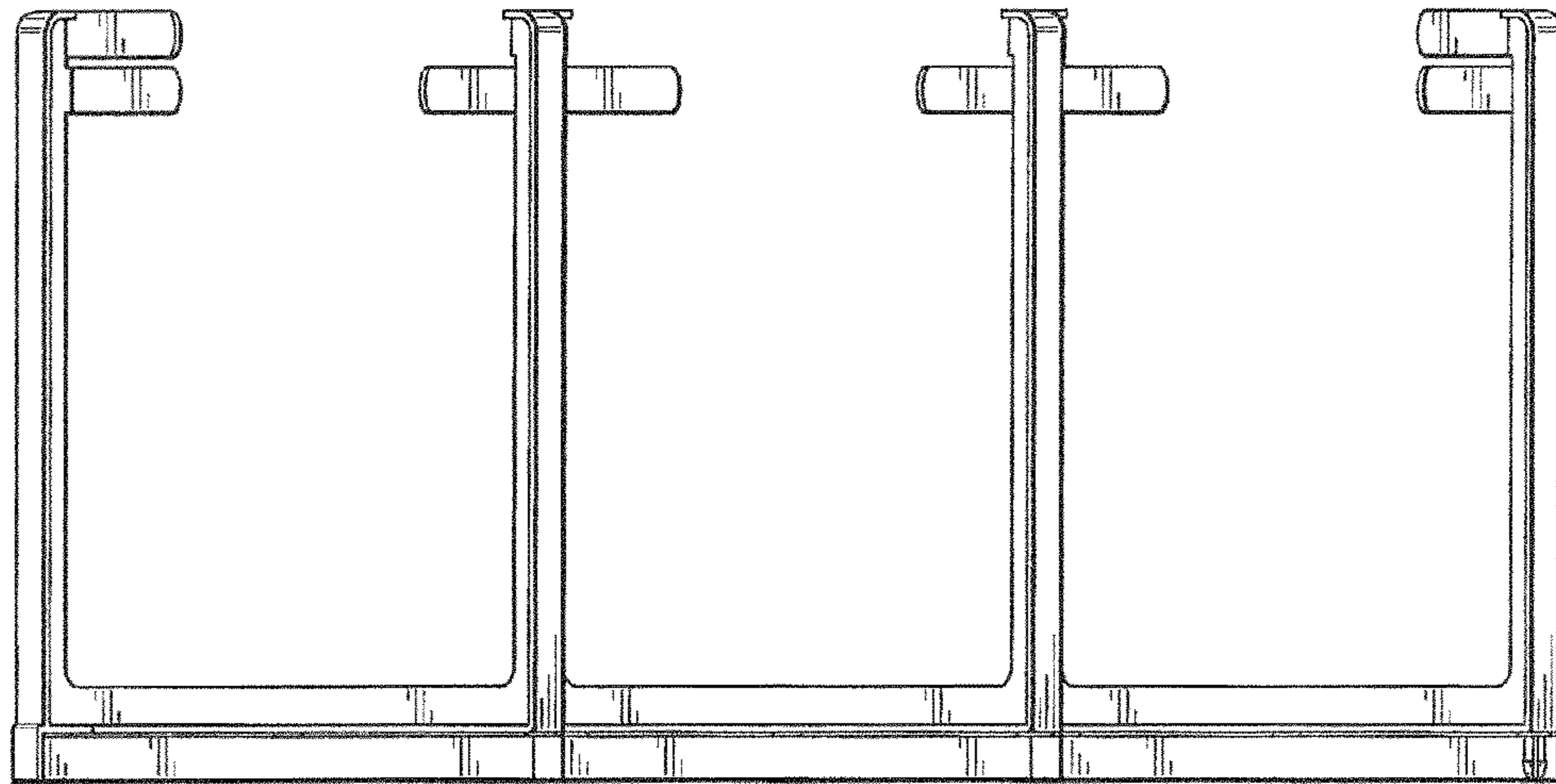


*FIG. 2*

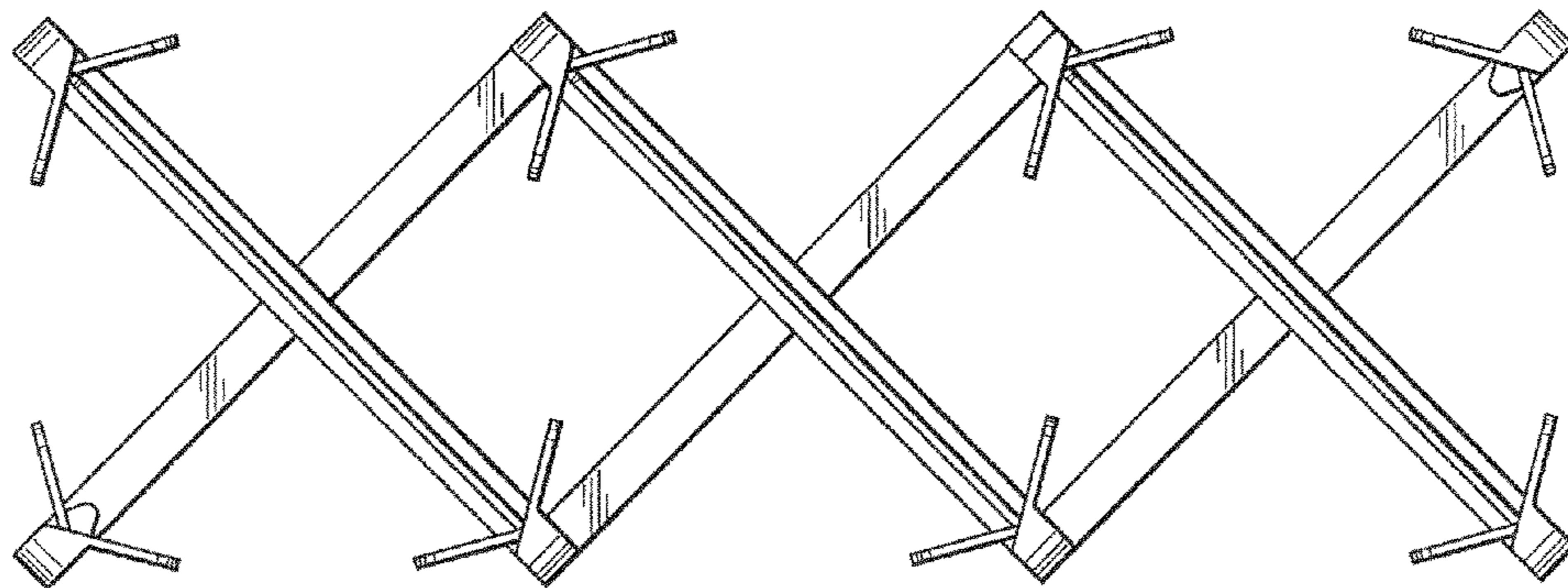




*FIG. 3*



*FIG. 4*



*FIG. 5*

