



US00D687197S

(12) **United States Design Patent**
Santiago et al.

(10) **Patent No.:** **US D687,197 S**
(45) **Date of Patent:** **** Jul. 30, 2013**

- (54) **VACUUM CLEANER BASE**
- (71) Applicant: **BISSELL Homecare, Inc.**, Grand Rapids, MI (US)
- (72) Inventors: **Jose Carlito Santiago**, Belmont, MI (US); **Mustafa Engin Hassamanci**, Chicago, IL (US)
- (73) Assignee: **BISSELL Homecare, Inc.**, Grand Rapids, MI (US)
- (**) Term: **14 Years**
- (21) Appl. No.: **29/440,151**
- (22) Filed: **Dec. 19, 2012**
- (51) **LOC (9) Cl.** **15-05**
- (52) **U.S. Cl.**
USPC **D32/32**
- (58) **Field of Classification Search**
USPC D32/22, 30-31, 34, 19-20; 55/429, 55/337, DIG. 3; 15/410-412, 347, 328, 350, 15/352, 353, 361, DIG. 8, 246.2, 320-322, 15/409, 28, 23, 179, 97.1, 24, 415.1-422, 15/422.1, 363, 366, 368, 382, 383; 451/466
See application file for complete search history.

- (56) **References Cited**
U.S. PATENT DOCUMENTS
D412,227 S * 7/1999 Wareham et al. D32/32
D412,380 S * 7/1999 Wareham D32/32
6,006,402 A * 12/1999 Maurer et al. 15/383
D427,399 S * 6/2000 Thur et al. D32/33
D431,334 S * 9/2000 Stephens et al. D32/32
D439,383 S * 3/2001 Salo et al. D32/32

- D463,080 S * 9/2002 Farone et al. D32/32
- D475,823 S * 6/2003 Medema et al. D32/32
- D487,602 S * 3/2004 Roberts et al. D32/32
- D506,047 S * 6/2005 Alford et al. D32/32
- D506,048 S * 6/2005 Downey et al. D32/32
- D506,586 S * 6/2005 Carr et al. D32/32
- D508,153 S * 8/2005 Alford et al. D32/32
- D515,757 S * 2/2006 Leyden D32/32
- D541,498 S * 4/2007 Moine et al. D32/32
- D544,663 S * 6/2007 Medema et al. D32/32
- D553,314 S * 10/2007 Parr et al. D32/32
- D570,568 S * 6/2008 Paredes et al. D32/32
- D571,066 S * 6/2008 Luebbering D32/32
- D597,267 S * 7/2009 Santiago D32/32
- D605,371 S * 12/2009 Baek D32/32

* cited by examiner

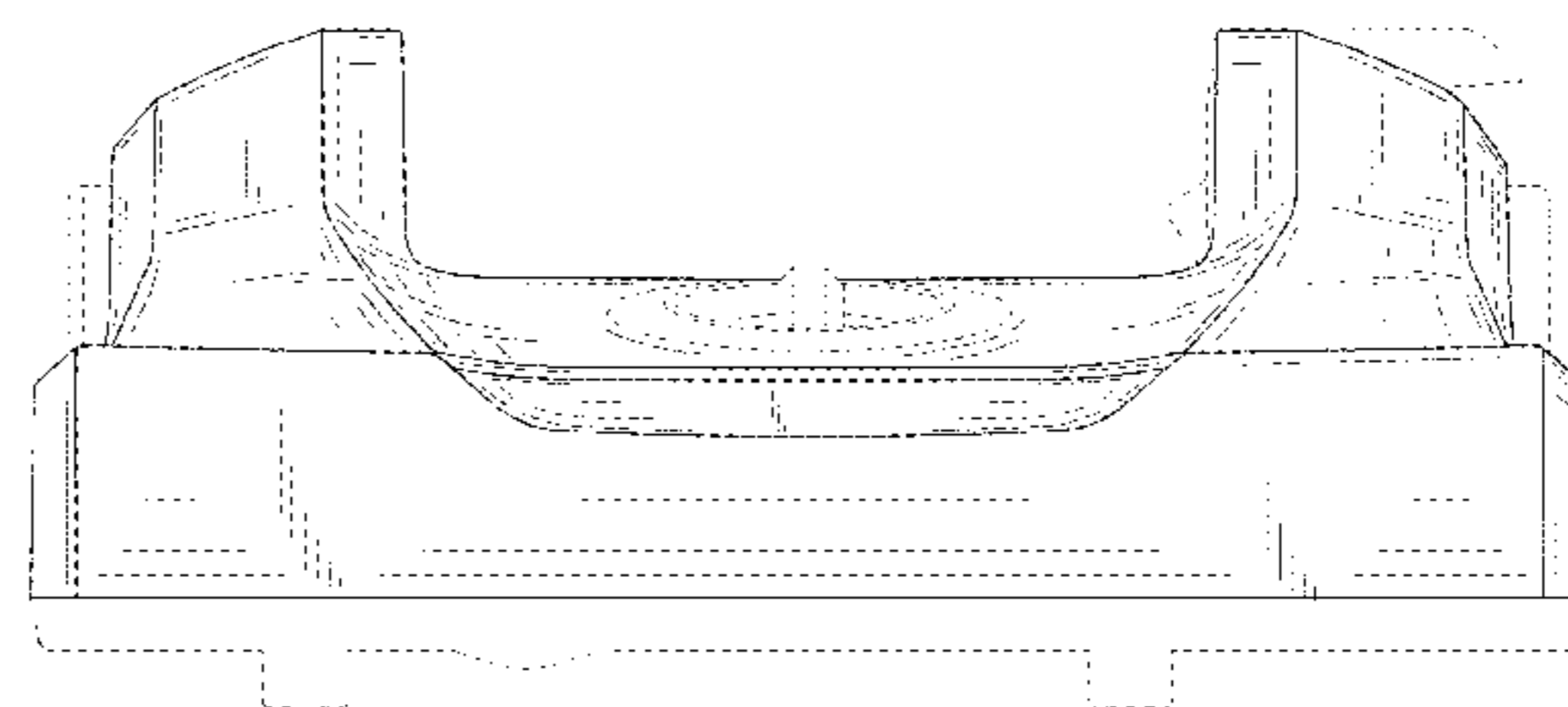
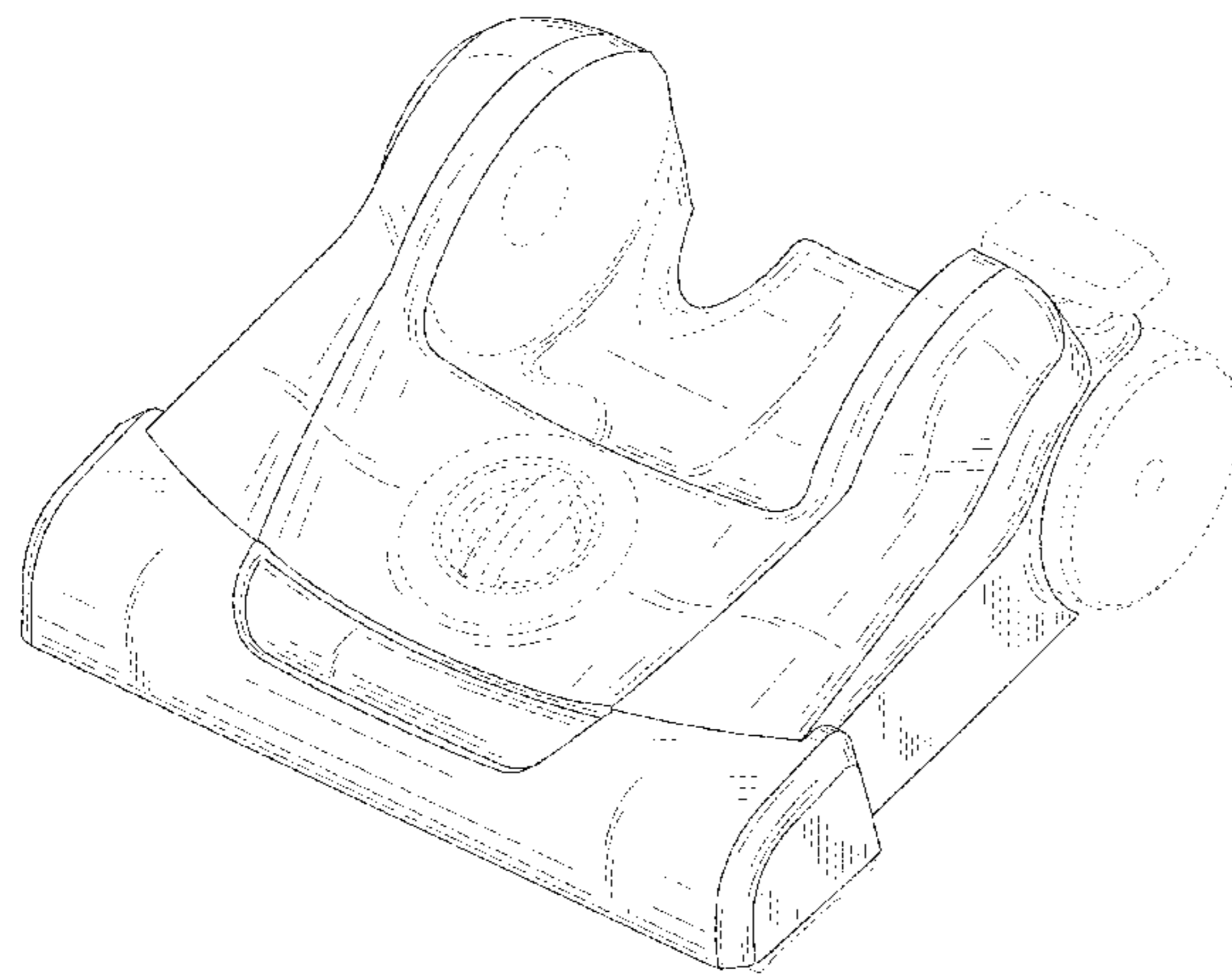
Primary Examiner — Ruth McInroy
(74) *Attorney, Agent, or Firm* — McGarry Bair PC

(57) **CLAIM**
The ornamental design for a vacuum cleaner base, as shown and described.

DESCRIPTION

FIG. 1 is a top, front and right side perspective view of a vacuum cleaner base showing our new design;
FIG. 2 is a front view thereof;
FIG. 3 is a rear view thereof;
FIG. 4 is a left side view thereof;
FIG. 5 is a right side view thereof; and,
FIG. 6 is a top plan view thereof.
The broken lines shown in the drawings are included for illustrative purposes only and form no part of the claimed design.

1 Claim, 4 Drawing Sheets



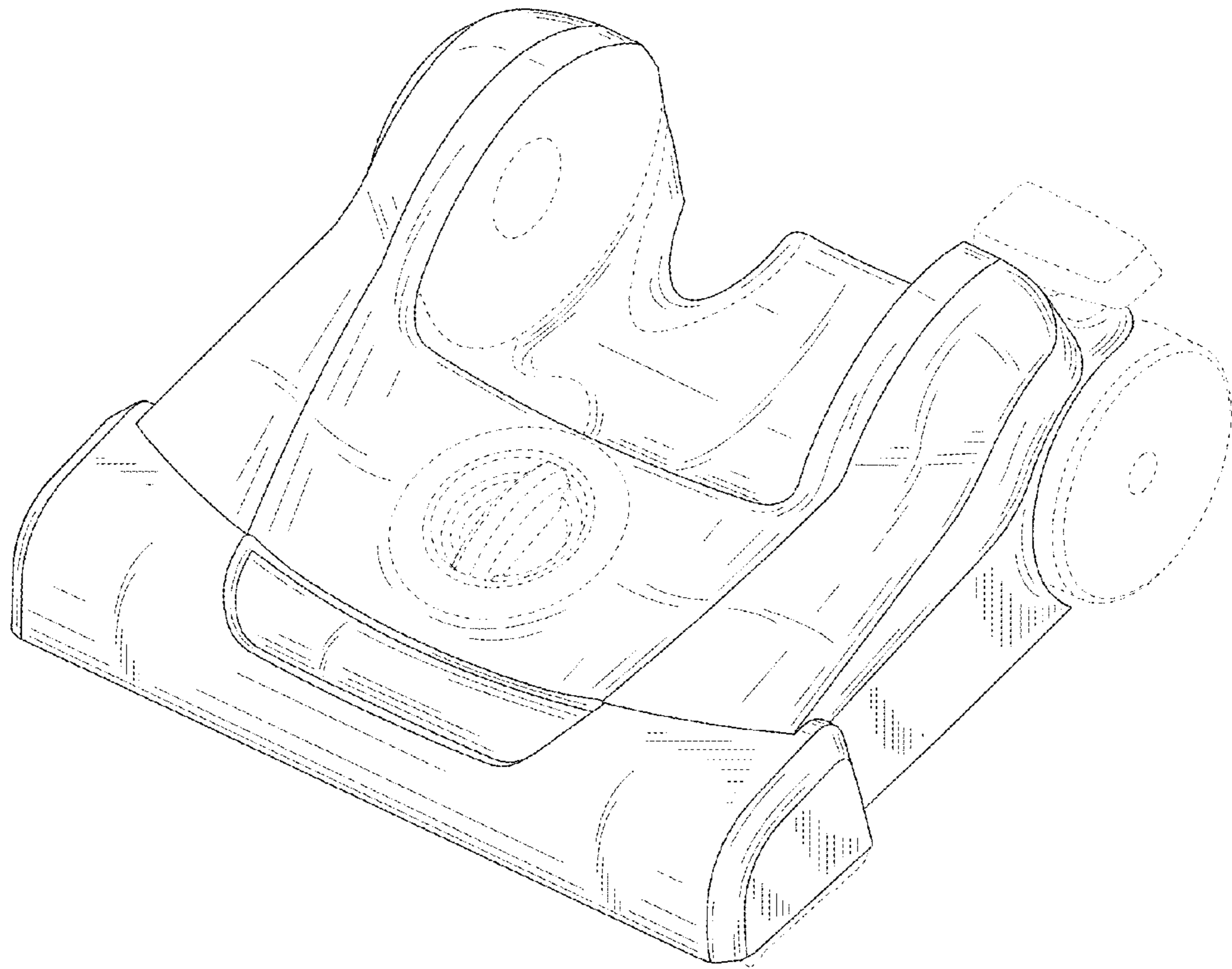


FIG. 1

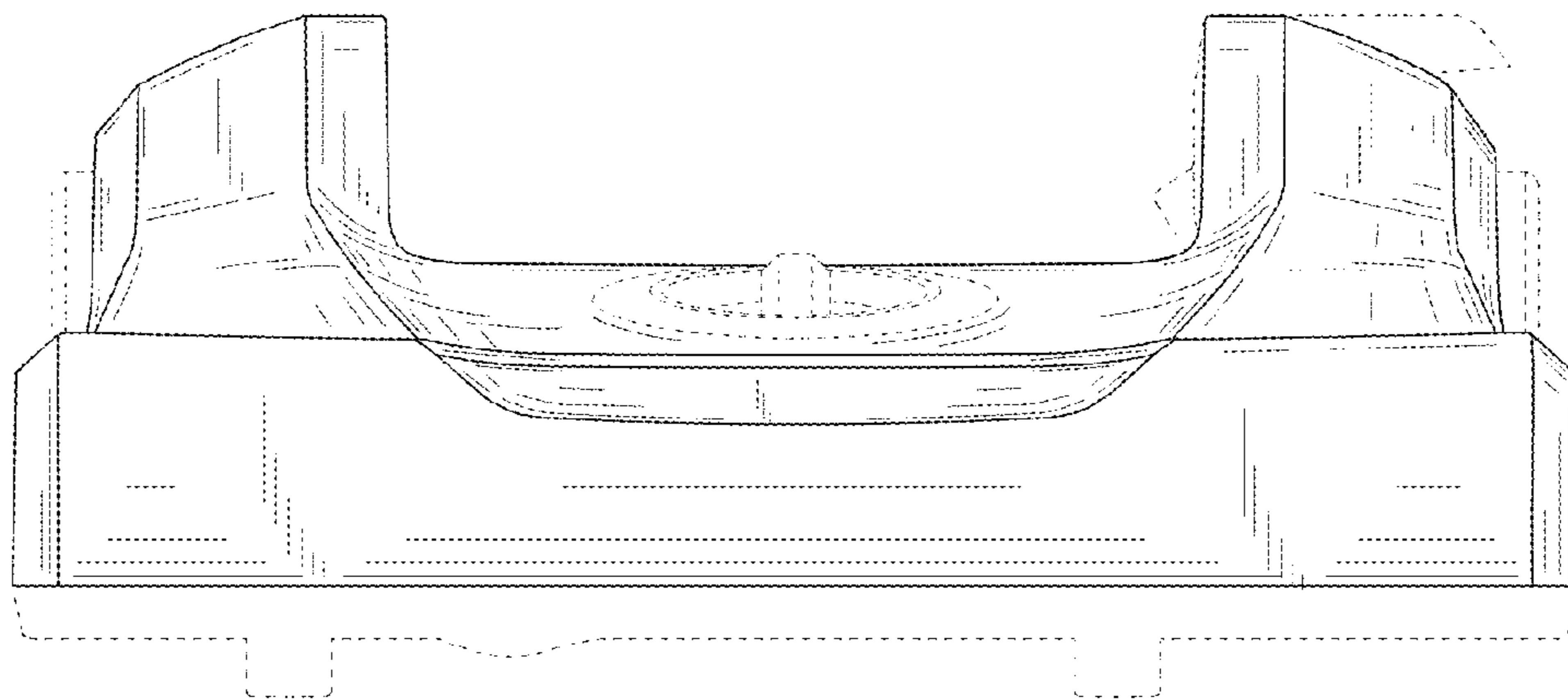


FIG. 2

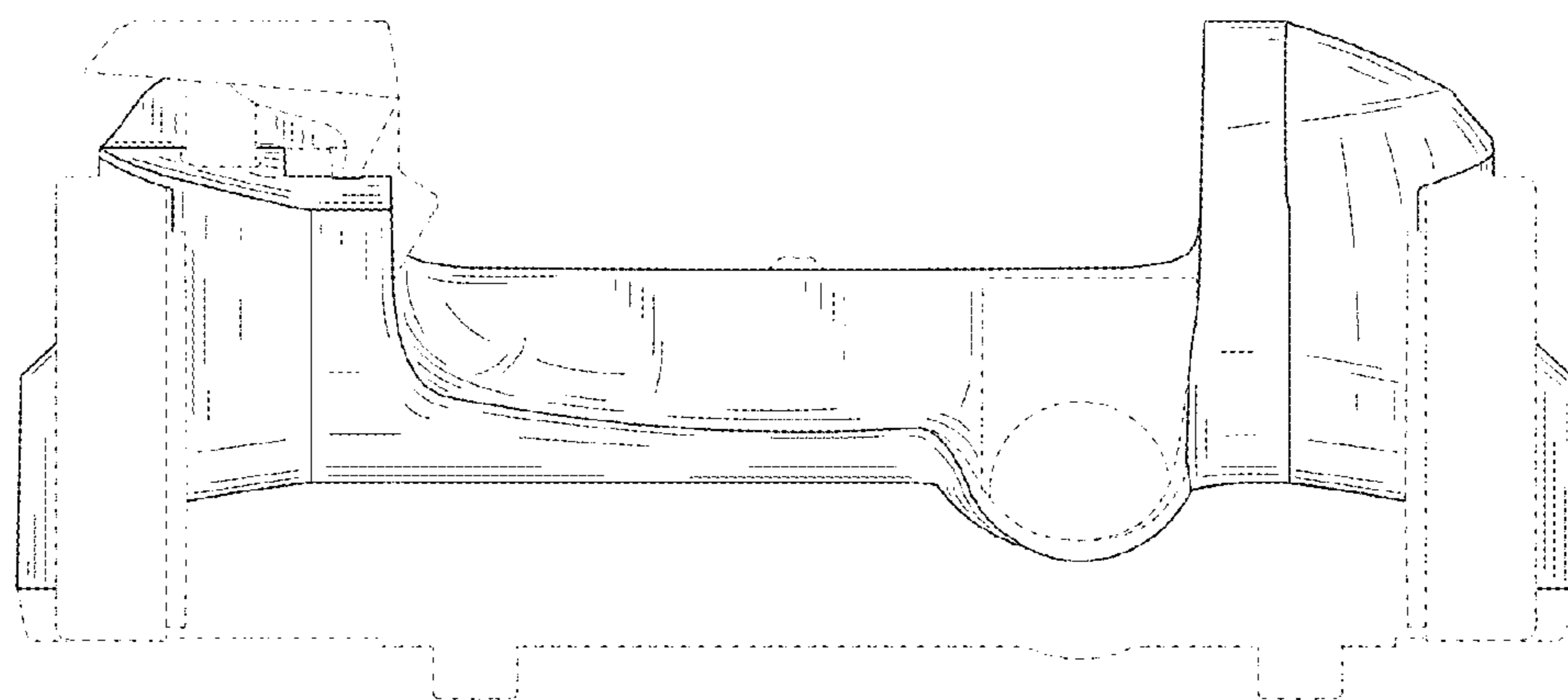


FIG. 3

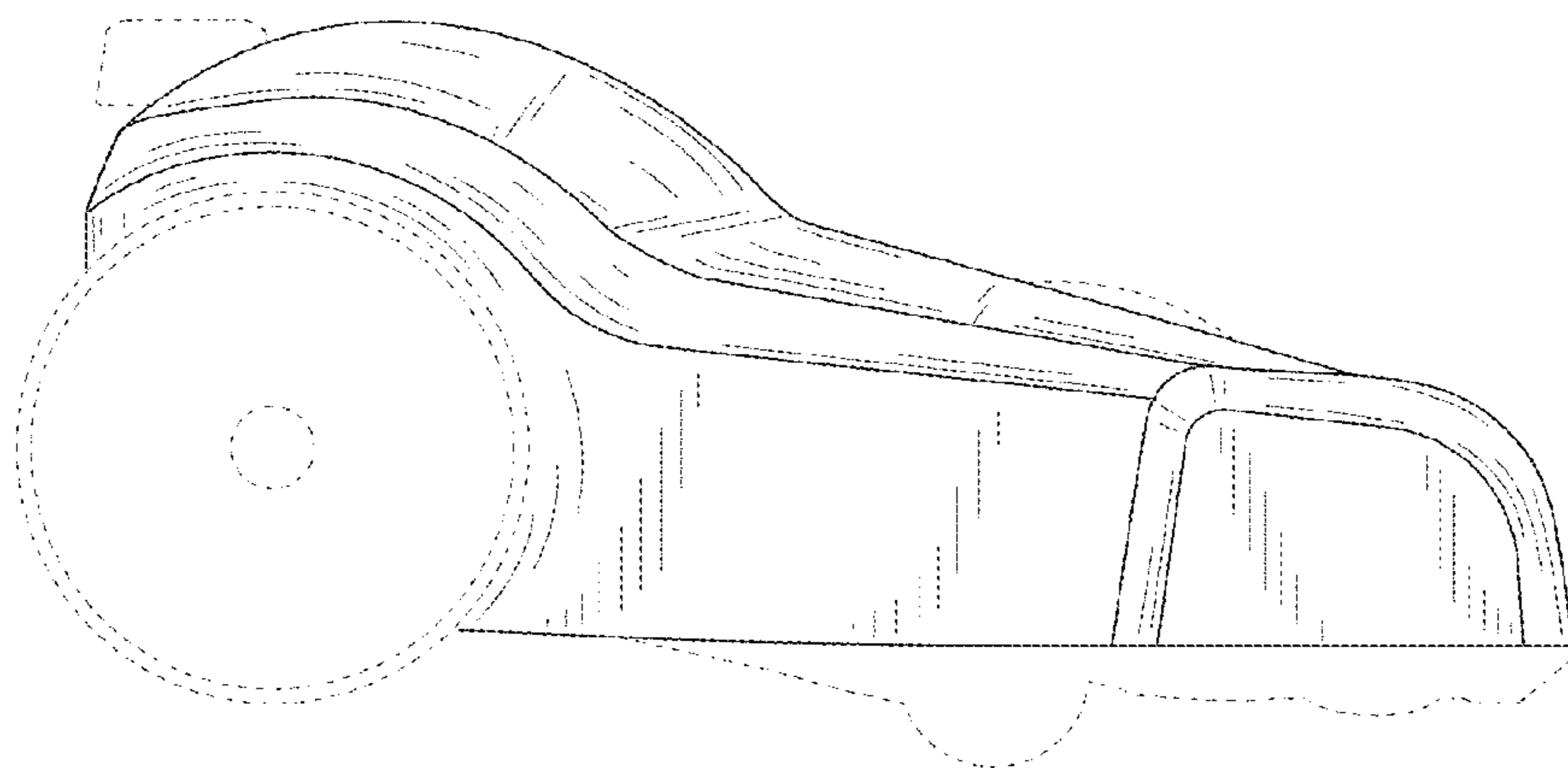


FIG. 4

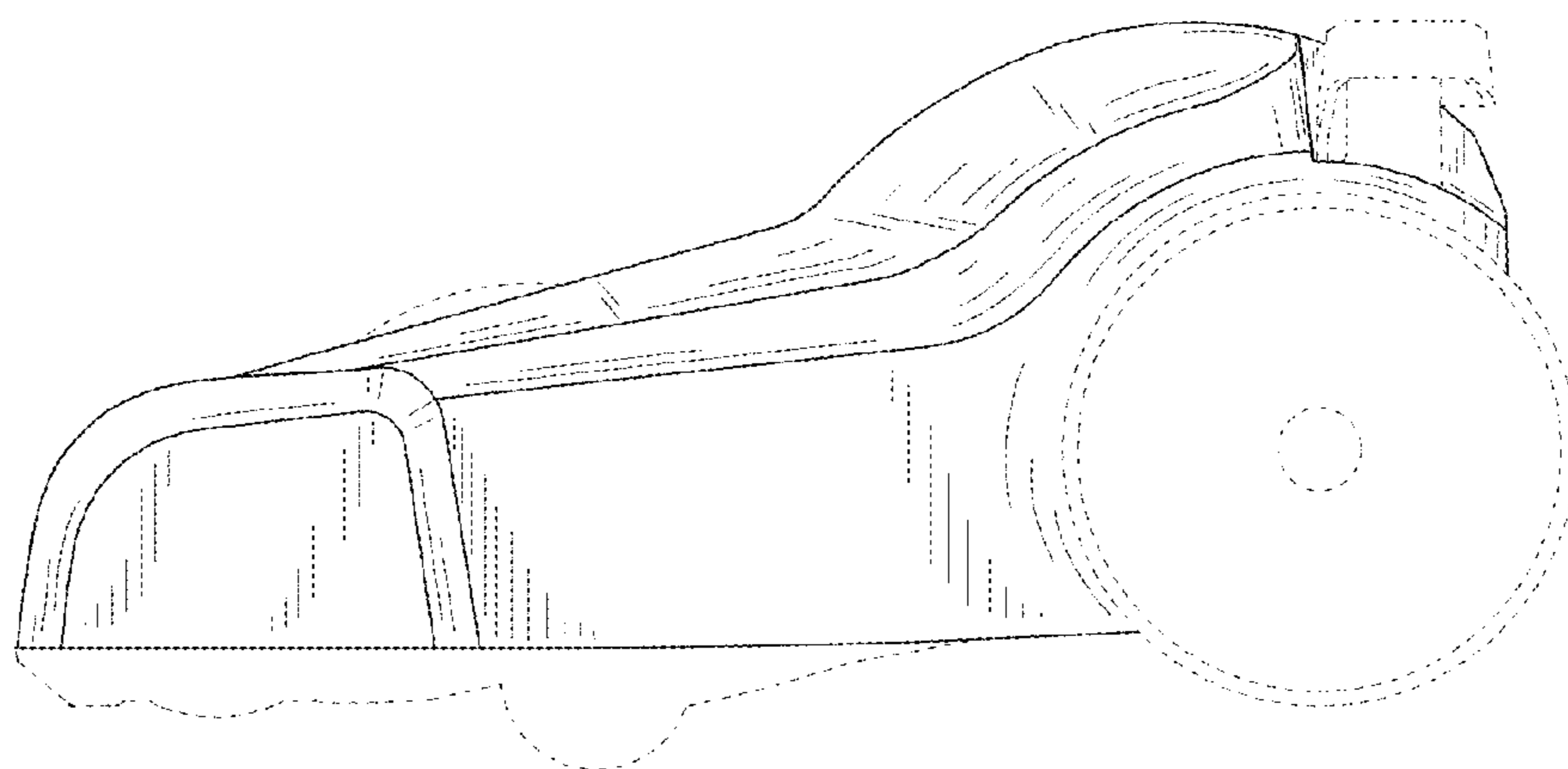


FIG. 5

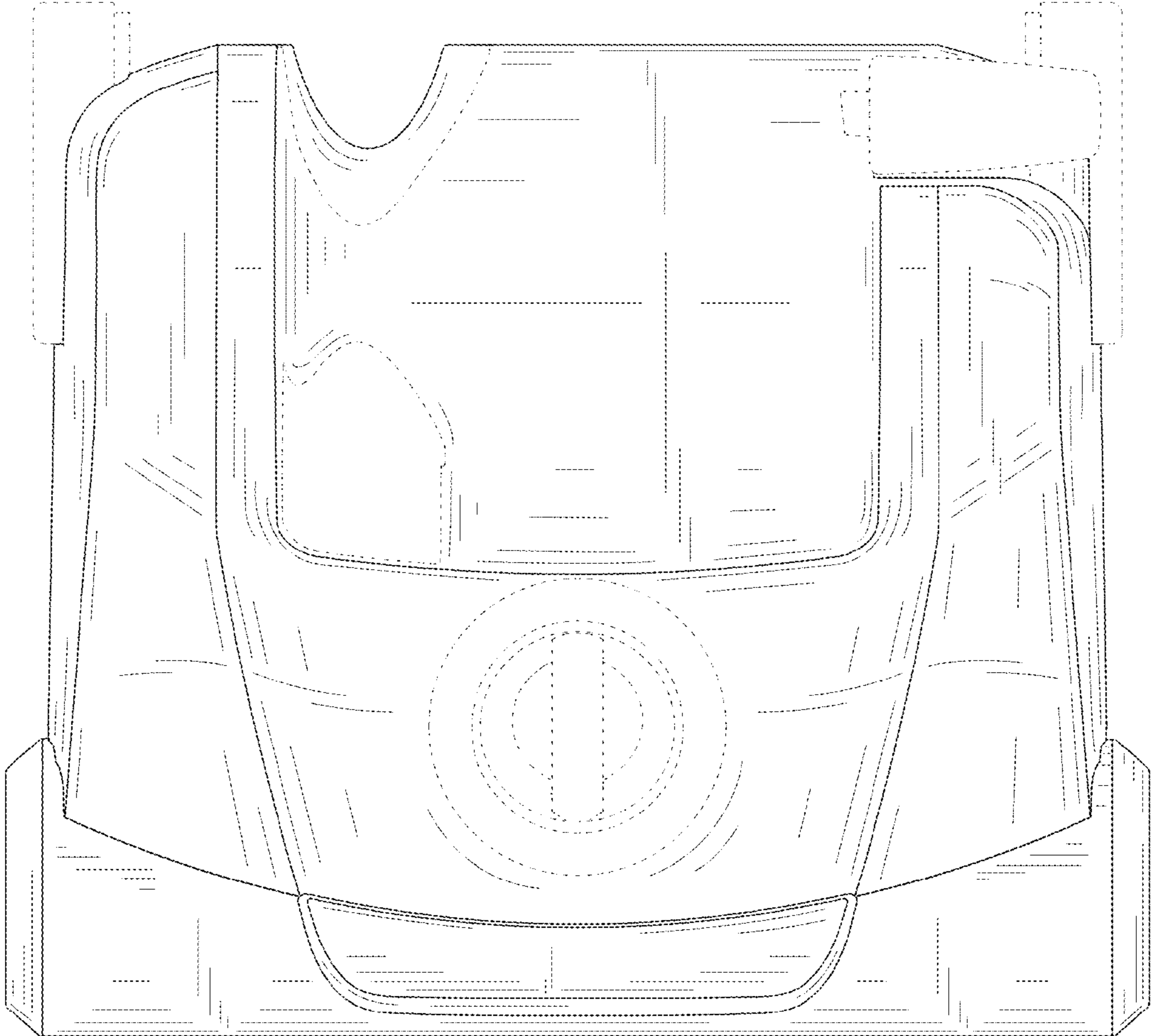


FIG. 6