



US00D687196S

(12) **United States Design Patent**
Raven et al.

(10) **Patent No.:** **US D687,196 S**

(45) **Date of Patent:** **** Jul. 30, 2013**

(54) **VACUUM CLEANER MODULE**

(75) Inventors: **Meghan M. Raven**, Grand Rapids, MI (US); **James Dangora**, Chicago, IL (US); **Adam Luedke**, Holland, MI (US)

(73) Assignee: **BISSELL Homecare, Inc.**, Grand Rapids, MI (US)

(**) Term: **14 Years**

(21) Appl. No.: **29/415,375**

(22) Filed: **Mar. 9, 2012**

(51) **LOC (9) Cl.** **15-05**

(52) **U.S. Cl.**
USPC **D32/31**

(58) **Field of Classification Search**
USPC D32/22, 30-31, 34; 55/429, 337, 55/DIG. 3; 15/410, 347, 328, 350, 352, 353, 15/361, DIG. 8, 246.2, 320
See application file for complete search history.

(56) **References Cited**

U.S. PATENT DOCUMENTS

D494,719	S *	8/2004	Rosenzweig et al.	D32/31
D510,465	S *	10/2005	Takahashi et al.	D32/22
D520,692	S *	5/2006	Leyden	D32/31
D521,699	S *	5/2006	Greene et al.	D32/22
D532,944	S *	11/2006	Choi	D32/22
D537,584	S *	2/2007	Greene et al.	D32/22
D547,505	S *	7/2007	Carr et al.	D32/31
D553,313	S *	10/2007	Parr et al.	D32/22
7,462,210	B2 *	12/2008	Lee	55/311
7,517,377	B2 *	4/2009	Yoshida et al.	55/304
D609,416	S *	2/2010	Hill et al.	D32/31
D609,418	S *	2/2010	Santiago et al.	D32/31

7,682,414	B2 *	3/2010	Yoshida et al.	55/429
D631,628	S *	1/2011	Benacquisto et al.	D32/31
D632,035	S *	2/2011	Luyckx et al.	D32/31
D632,036	S *	2/2011	McNeil et al.	D32/31
D632,037	S *	2/2011	Carr et al.	D32/31
D633,264	S *	2/2011	Lee	D32/22
7,879,142	B2 *	2/2011	Han et al.	96/381
8,032,983	B2 *	10/2011	Griffith et al.	15/347
D662,271	S *	6/2012	Conrad et al.	D32/31
D662,272	S *	6/2012	Conrad et al.	D32/31
8,268,029	B2 *	9/2012	Yoo	55/337
D670,052	S *	10/2012	Dos Reis	D32/31
2007/0084165	A1 *	4/2007	Nakai et al.	55/429
2007/0209147	A1 *	9/2007	Krebs et al.	15/347
2011/0219575	A1 *	9/2011	Conrad	15/347
2011/0219580	A1 *	9/2011	Conrad	15/410

* cited by examiner

Primary Examiner — Ruth McInroy

(74) *Attorney, Agent, or Firm* — McGarry Bair PC

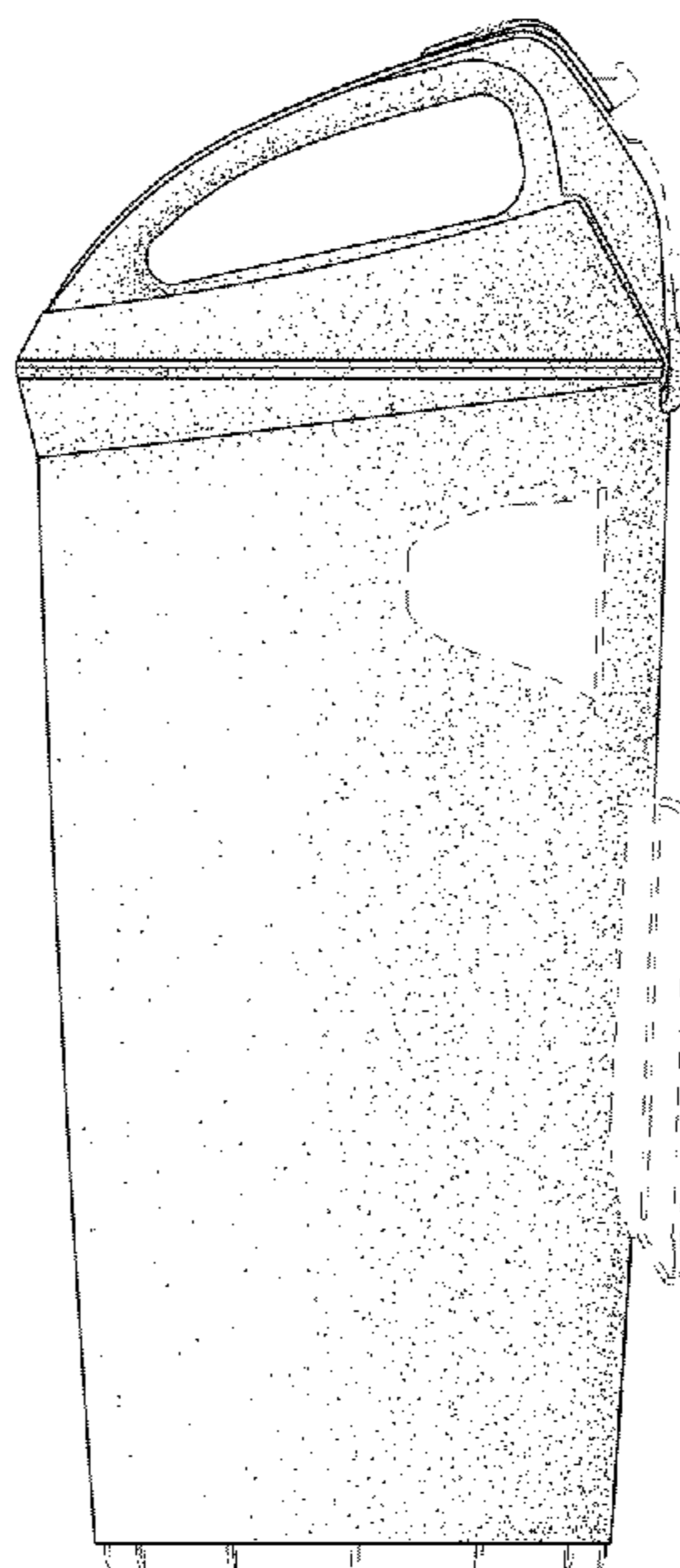
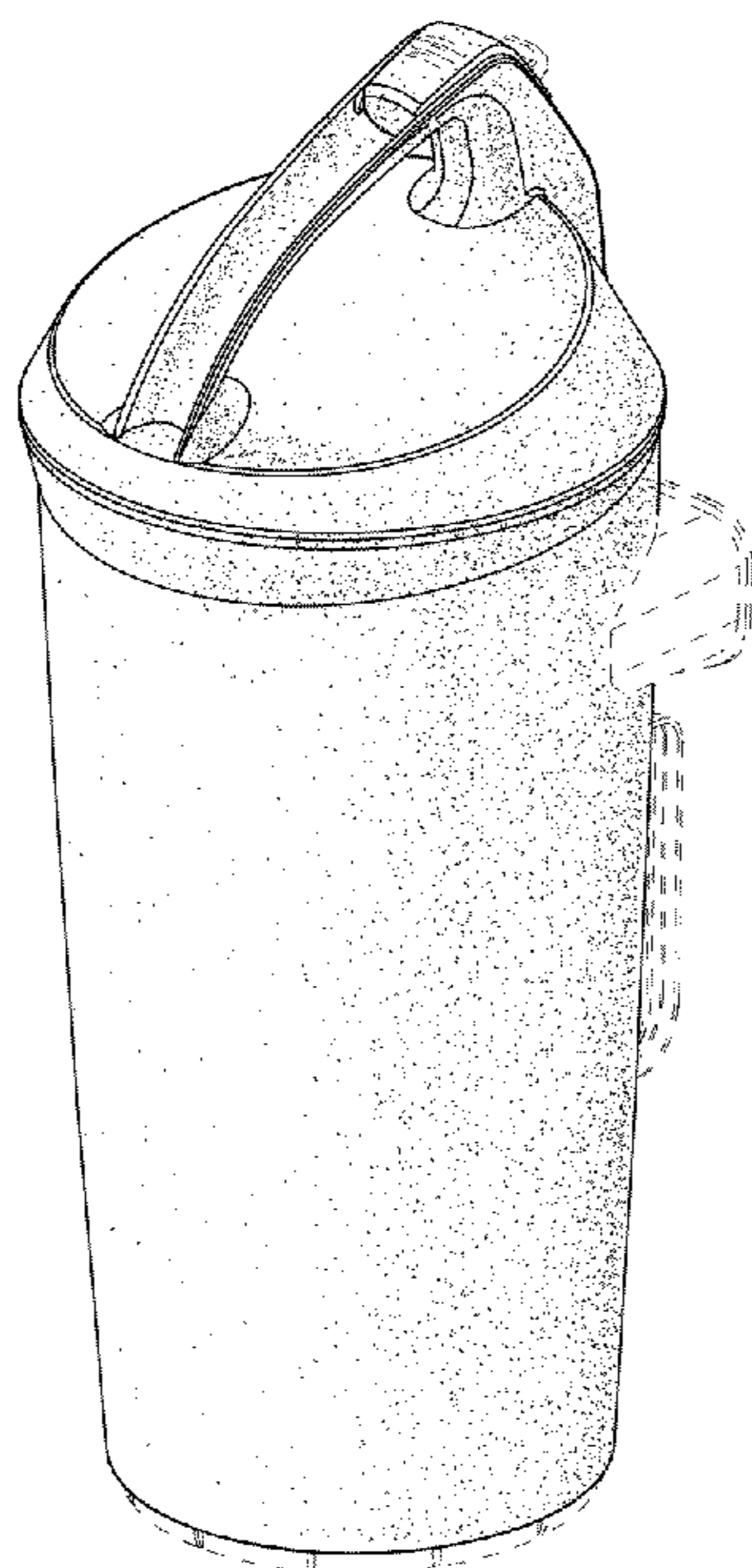
(57) **CLAIM**

The ornamental design for a vacuum cleaner module, as shown and described.

DESCRIPTION

FIG. 1 is a front perspective view of a vacuum cleaner module which embodies our design;
FIG. 2 is a front view thereof;
FIG. 3 is a rear view thereof;
FIG. 4 is a left side view thereof;
FIG. 5 is a right side view thereof;
FIG. 6 is a top plan view thereof; and,
FIG. 7 is a bottom plan view thereof.
The details shown in broken lines form no part of the claimed design.

1 Claim, 2 Drawing Sheets



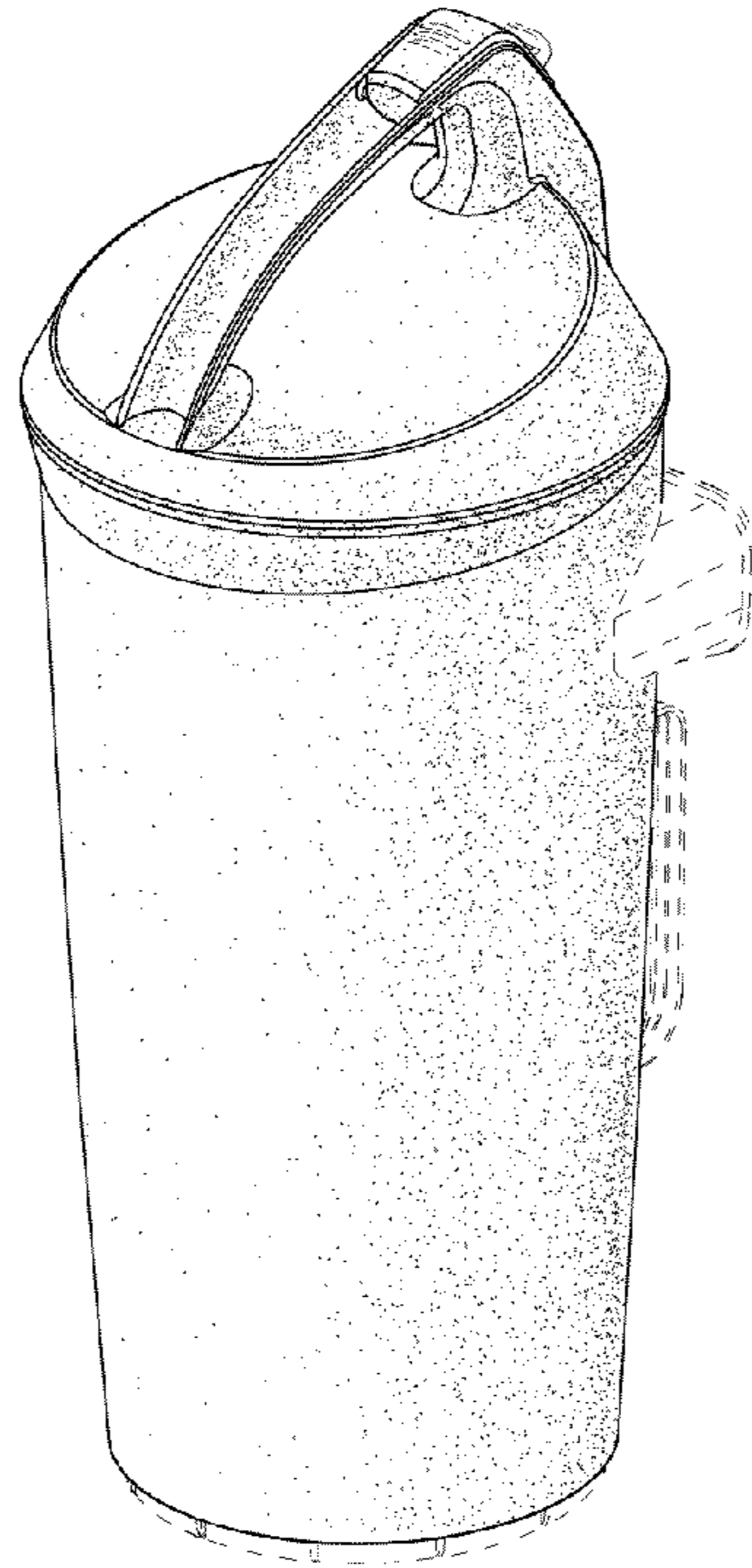


FIG. 1

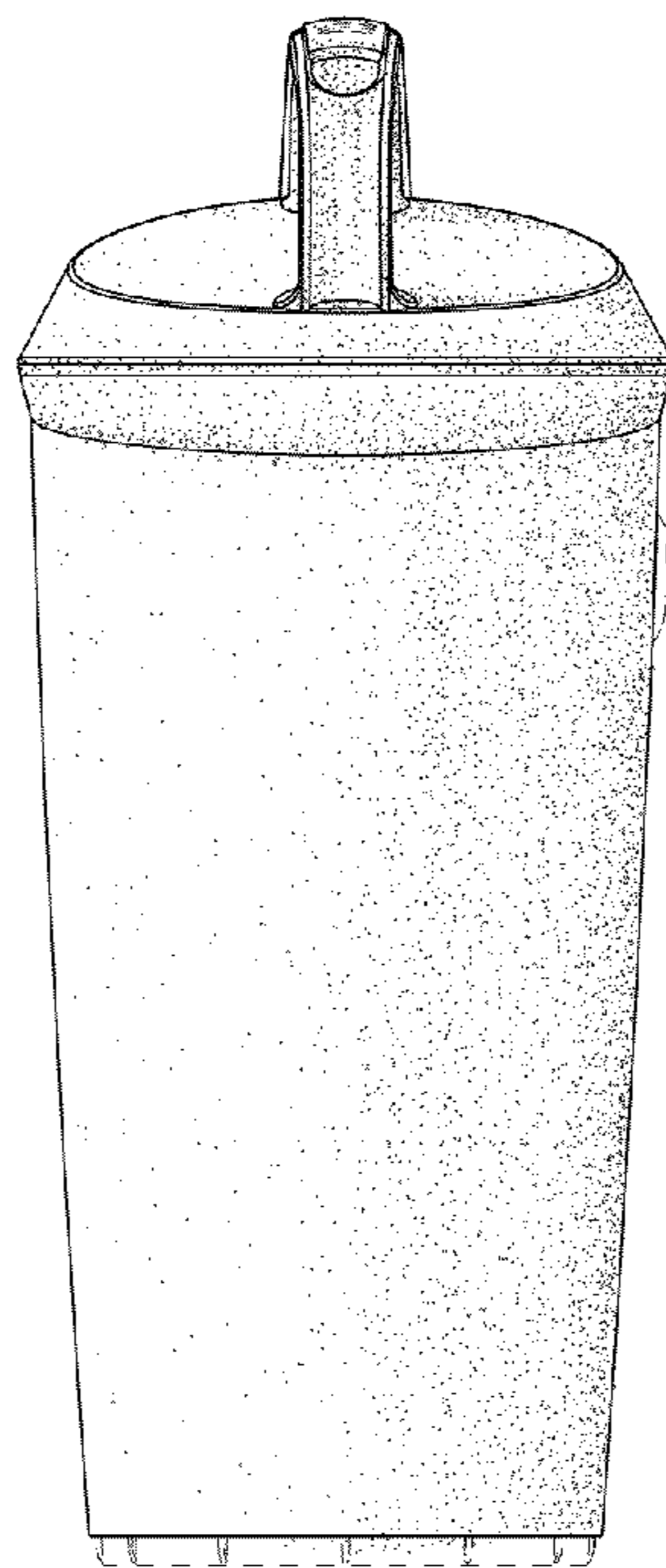


FIG. 2



FIG. 3

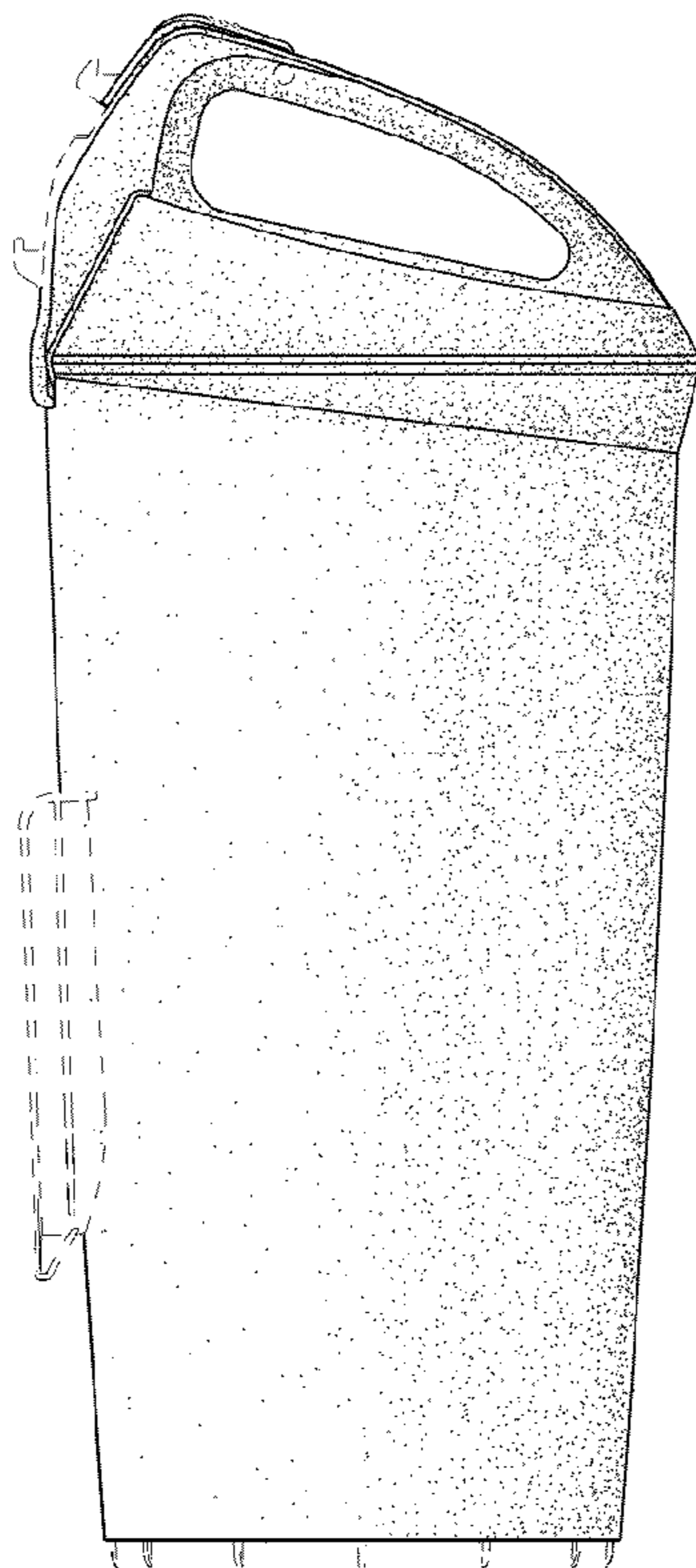


FIG. 4

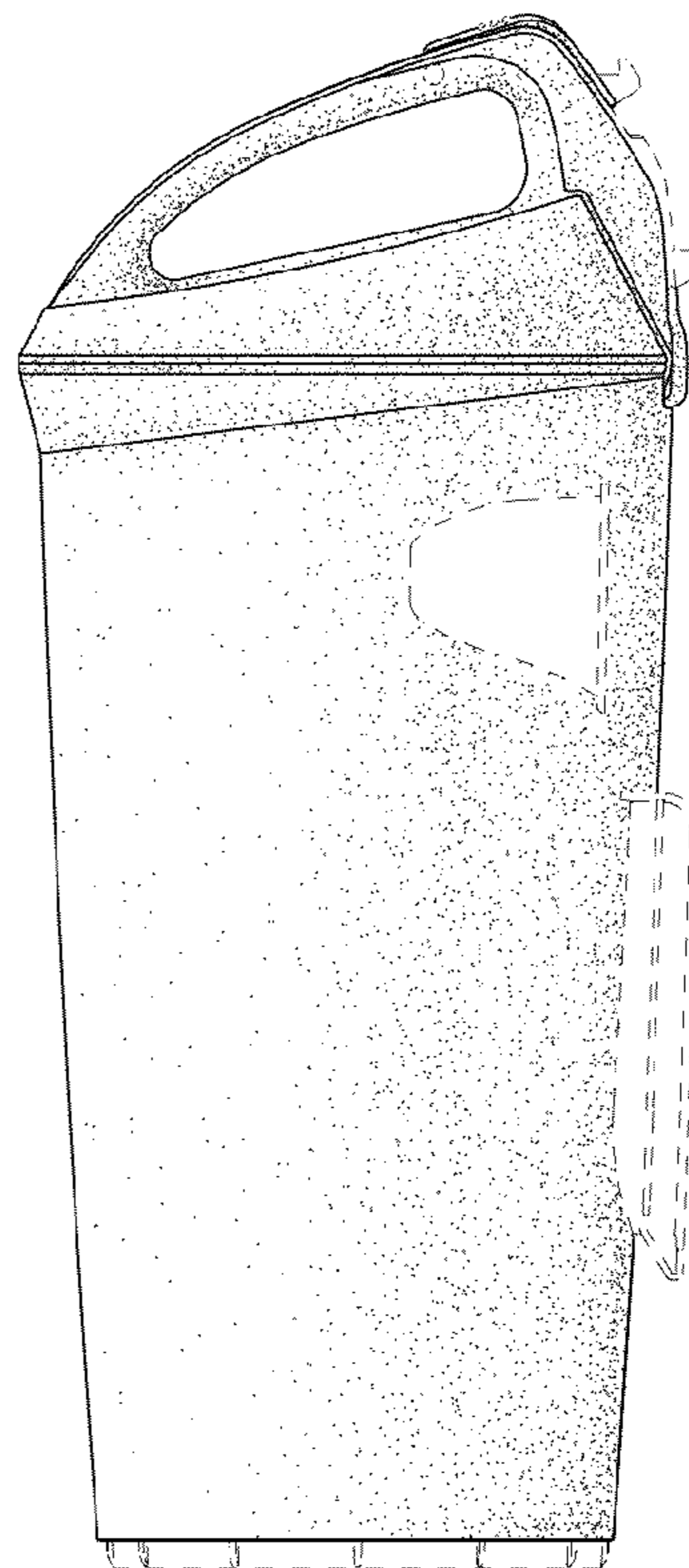


FIG. 5

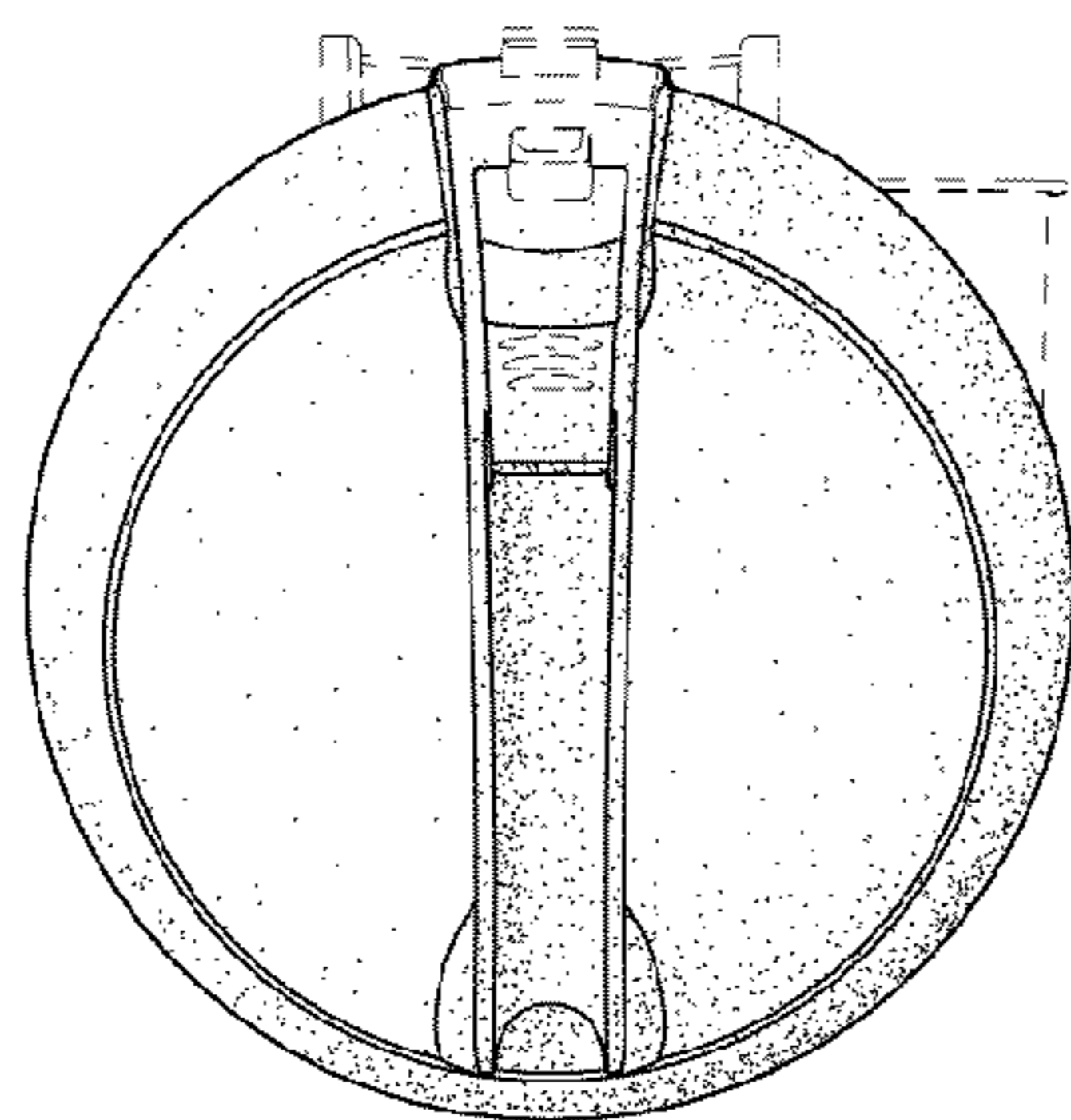


FIG. 6

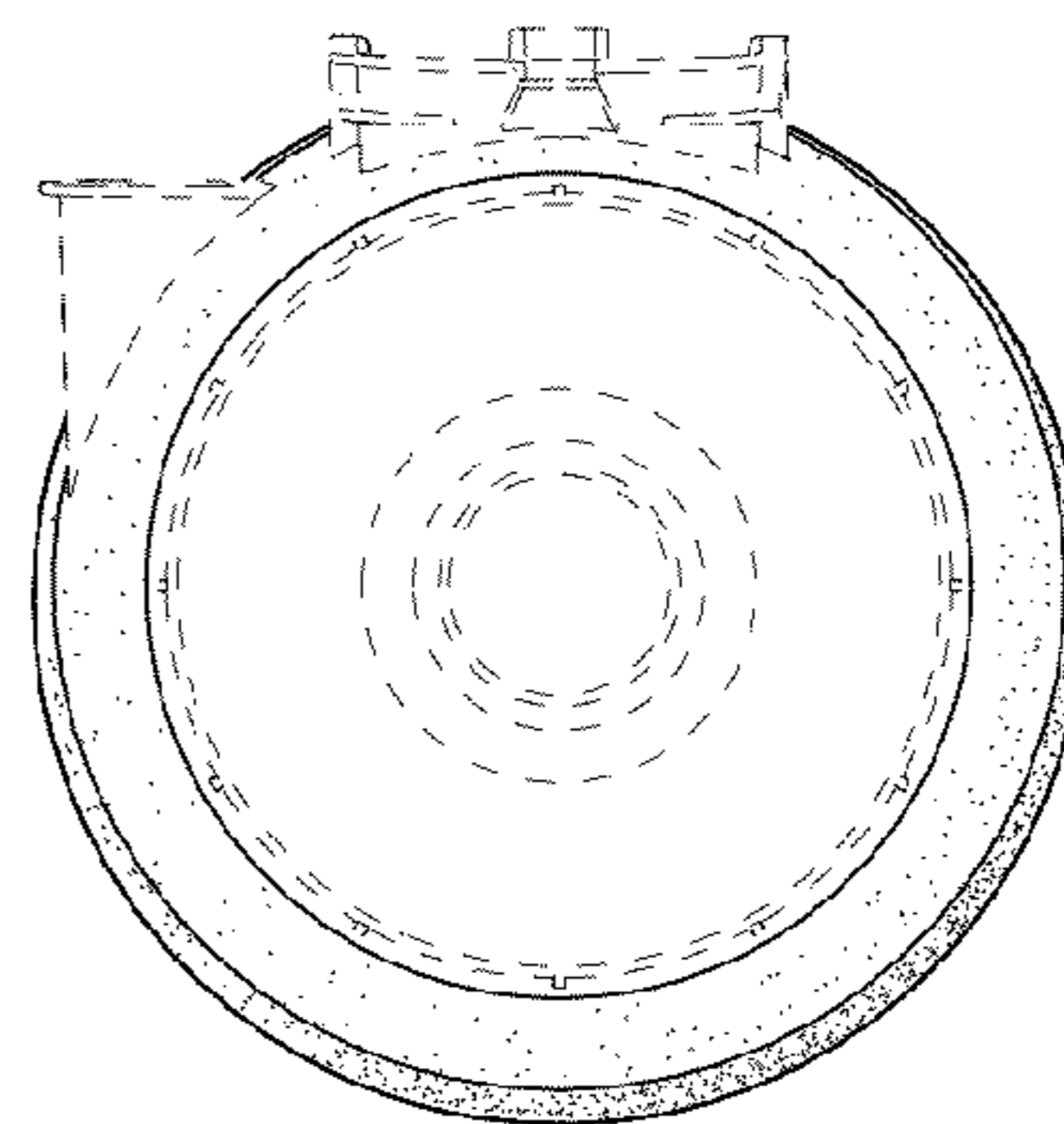


FIG. 7