



US00D687193S

(12) **United States Design Patent**  
**Wenstrand**

(10) **Patent No.:** **US D687,193 S**  
(45) **Date of Patent:** **\*\* Jul. 30, 2013**

(54) **COMBINATION FEEDER AND PESTICIDE APPLICATOR**

(75) Inventor: **Thomas Wenstrand**, Mt. Pleasant, IA (US)

(73) Assignee: **Hawkeye Steel Products, Inc.**, Houghton, IA (US)

(\*\*) Term: **14 Years**

(21) Appl. No.: **29/380,081**

(22) Filed: **Nov. 30, 2010**

(51) **LOC (9) Cl.** ..... **30-03**

(52) **U.S. Cl.**  
USPC ..... **D30/131; D30/121; D30/128**

(58) **Field of Classification Search**  
USPC ..... D30/133, 121, 122, 124, 127, 128, D30/132, 131, 130, 199; 119/51.01, 61, 51.04, 119/53, 57.91, 54, 53.5, 52.4, 51.11, 63, 119/61.2, 52.1, 57.5, 57.6, 51.13, 62, 75, 119/500, 501, 72, 72.5, 78, 74, 76, 79, 80, 119/8, 1, 408, 614.2; 239/7, 687, 379, 397.5, 239/28; 222/199, 181.1, 181.2, 185.1, 557, 222/156, 485, 486, 548, 555, 480, 556, 563, 222/572; 220/200, 227, 247, 262, 254, 306, 220/780-795, 212, 252, 558, 810, 367.1, 220/713, 259.4, 319, 320, 323, 315; 221/174, 221/185.1, 289, 295, 296, 559; 454/35; 209/270, 283, 244; 52/194, 192; 49/279, 49/344, 357; D34/28; 4/377; D9/452, 454, D9/435, 436, 439, 503, 420, 428, 423, 425, D9/429, 447, 449, 504; D7/510, 511, 391, D7/392.1, 629, 615; 206/37, 38, 235; 229/124; 215/273-276

See application file for complete search history.

(56) **References Cited**

U.S. PATENT DOCUMENTS

D18,622	S	*	9/1888	Curtice	.....	D9/452
882,985	A	*	3/1908	Wilson	.....	119/660
D49,120	S	*	5/1916	Hoffman	.....	D9/454
D50,645	S	*	4/1917	Brock	.....	D7/391
D58,046	S	*	5/1921	Smith	.....	D7/414
1,426,209	A	*	8/1922	Newland	.....	215/317
1,580,544	A	*	4/1926	Spengler	.....	215/301
D87,963	S	*	10/1932	Harrison	.....	D9/452
D95,904	S	*	6/1935	Fuerst	.....	D9/453
D102,462	S	*	12/1936	Wilmet	.....	D9/453
2,273,616	A	*	2/1942	Beatty	.....	119/53.5
2,890,681	A	*	6/1959	Sack	.....	119/52.4
3,071,275	A	*	1/1963	Foss et al.	.....	215/317
3,187,722	A	*	6/1965	Gilmore et al.	.....	
3,270,993	A	*	9/1966	Montague	.....	248/147

(Continued)

OTHER PUBLICATIONS

www.flykillercover.com, product description, F&B Mann Products, LLC, Waterville, Kansas.

*Primary Examiner* — Susan Moon Lee

(74) *Attorney, Agent, or Firm* — Brett D. Papendick; Shuttleworth & Ingersoll, PLC

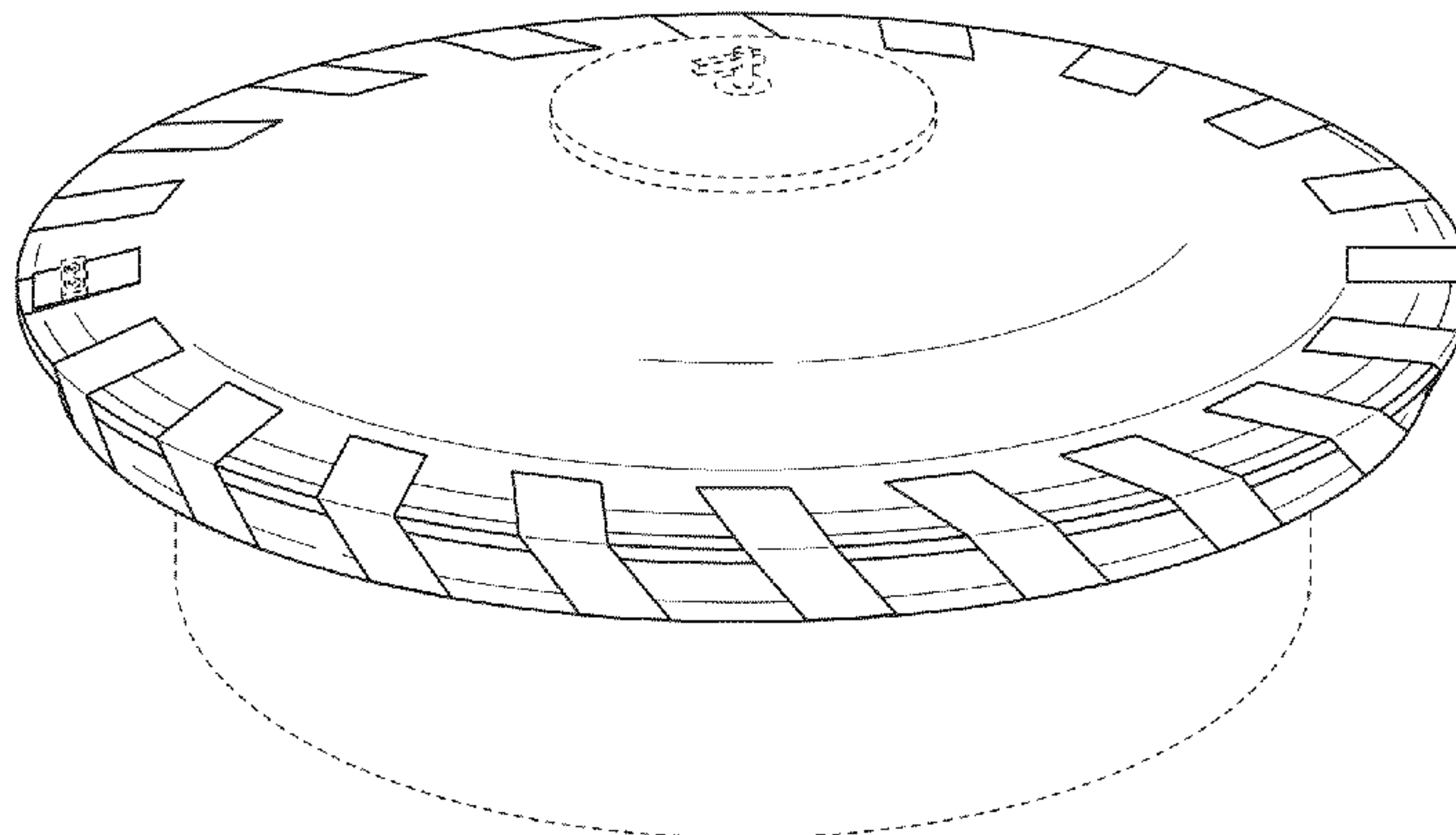
(57) **CLAIM**

The ornamental design for a combination feeder and pesticide applicator.

**DESCRIPTION**

FIG. 1 is a perspective view of a combination feeder and pesticide applicator;  
FIG. 2 is a top view thereof;  
FIG. 3 is a bottom view thereof,  
FIG. 4 is a front-side view thereof, the back-side view being identical to the front-side view; and,  
FIG. 5 is a left-side view thereof, the right-side view being identical to the left-side view.  
The broken lines and portions contained within broken line are not claimed.

**1 Claim, 5 Drawing Sheets**





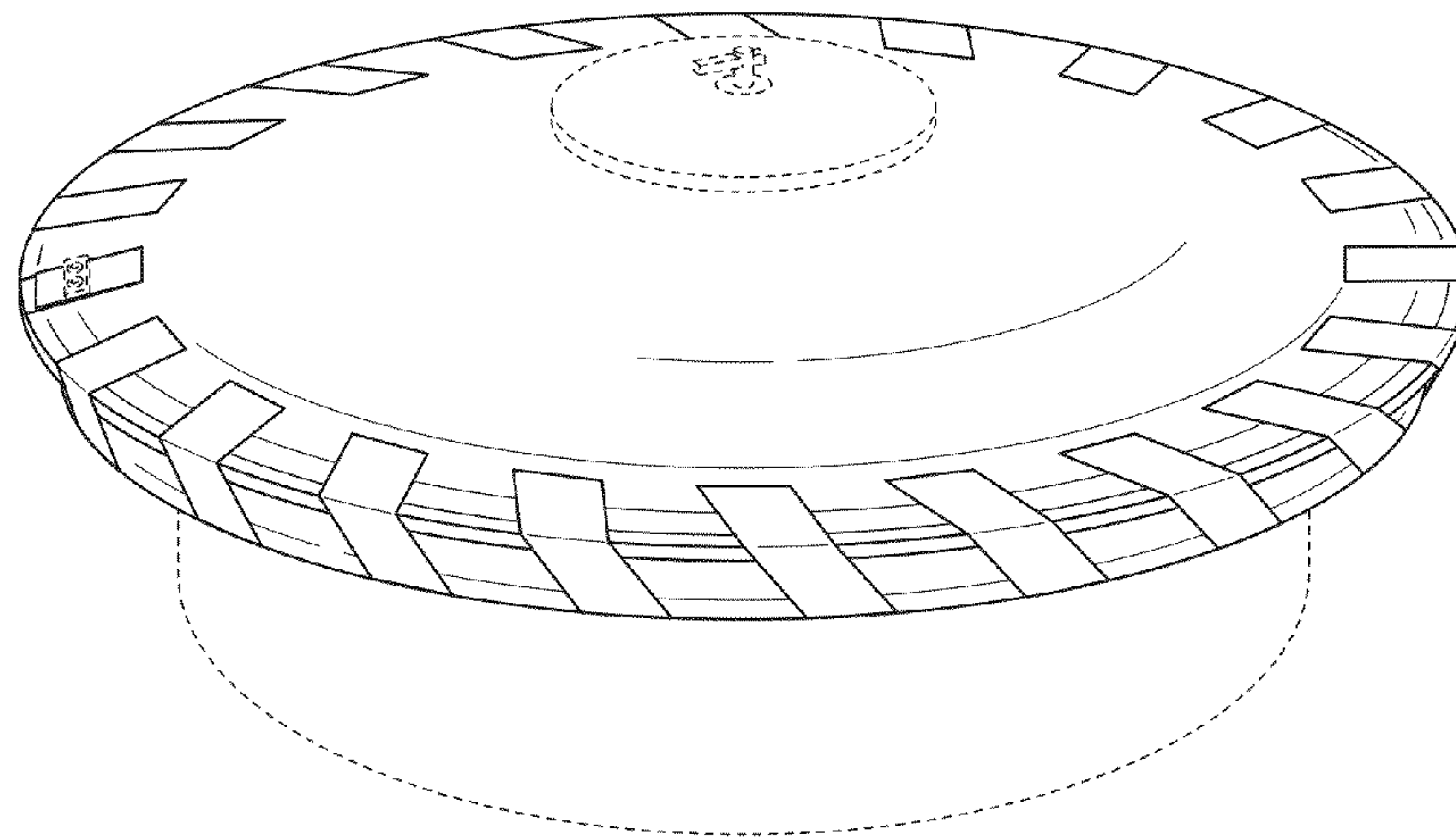
# US D687,193 S

Page 2

## U.S. PATENT DOCUMENTS

D208,334	S	*	8/1967	Gerds	.....	D9/452
3,359,678	A	*	12/1967	Headrick	.....	446/46
D225,308	S	*	12/1972	Barefoot	.....	D9/454
D226,576	S	*	3/1973	Swett et al.	.....	D7/391
D230,139	S	*	1/1974	Bart	.....	D9/452
3,821,940	A	*	7/1974	Mann	.....	
3,883,036	A	*	5/1975	Mahaffy et al.	.....	220/781
D237,689	S	*	11/1975	Davis	.....	D9/452
3,941,096	A	*	3/1976	Mann	.....	
D241,917	S	*	10/1976	Borum	.....	D9/452
4,023,533	A	*	5/1977	Mann	.....	
4,212,131	A	*	7/1980	Ross, Jr.	.....	446/48
4,279,357	A	*	7/1981	Robinson	.....	220/318
D260,786	S	*	9/1981	Chaklos	.....	D21/443
4,295,508	A	*	10/1981	Metzger	.....	220/320
4,303,040	A	*	12/1981	Mann	.....	119/62
D266,486	S	*	10/1982	Lutz	.....	D9/503
D266,906	S	*	11/1982	Guerette	.....	D9/453
D268,613	S	*	4/1983	Beacham	.....	D23/369
D271,001	S	*	10/1983	Montoya	.....	D9/454
D272,324	S	*	1/1984	Mumford et al.	.....	D9/452
4,516,947	A	*	5/1985	Pircher et al.	.....	446/46
D284,270	S	*	6/1986	Pearce	.....	D9/454
D286,657	S	*	11/1986	Fields	.....	D21/443
D292,276	S	*	10/1987	Cho	.....	D9/452
D292,380	S	*	10/1987	Smith	.....	D9/435
D295,429	S	*	4/1988	Sandeen	.....	D21/443
D297,298	S	*	8/1988	Sarnoff et al.	.....	D7/391
D298,608	S	*	11/1988	Dewing	.....	D9/452
4,821,681	A	*	4/1989	Tucker	.....	119/51.01
D301,691	S	*	6/1989	Mobberley	.....	D9/453
D302,795	S	*	8/1989	Finger et al.	.....	D9/454
D307,713	S	*	5/1990	Groves	.....	D9/503
D311,868	S	*	11/1990	Armstrong	.....	D9/453
D313,353	S	*	1/1991	Hart et al.	.....	D9/503
D315,503	S	*	3/1991	Hart et al.	.....	D9/569
D317,666	S	*	6/1991	Haynes	.....	D30/131
D320,562	S	*	10/1991	Brester et al.	.....	D9/452
D327,849	S	*	7/1992	Armstrong	.....	D9/453
5,277,641	A	*	1/1994	Gable et al.	.....	446/46
5,298,077	A	*	3/1994	Saarela et al.	.....	134/6
D346,626	S	*	5/1994	St. Lawrence	.....	D21/443
D347,303	S	*	5/1994	Mann	.....	
D348,645	S	*	7/1994	Hitchcock et al.	.....	D12/197
D350,783	S	*	9/1994	Bacon	.....	D21/443
D351,692	S	*	10/1994	Cossey	.....	D30/154
D361,265	S	*	8/1995	Doxey	.....	D9/435
D362,470	S	*	9/1995	Smith	.....	D21/443
D365,519	S	*	12/1995	Welch et al.	.....	D9/454
D369,942	S	*	5/1996	Ahern, Jr.	.....	D7/391
D374,915	S	*	10/1996	Copp	.....	D23/227
D378,987	S	*	4/1997	Ross	.....	D8/356
5,630,375	A	*	5/1997	Mann	.....	
D386,221	S	*	11/1997	Ybanez	.....	D21/443
5,752,464	A	*	5/1998	King et al.	.....	119/63
5,794,563	A	*	8/1998	Klepac	.....	119/57.91
D403,584	S	*	1/1999	Bakic	.....	D9/454
D409,089	S	*	5/1999	Nguyen	.....	D9/452
D411,800	S	*	7/1999	Kokenge et al.	.....	D9/454
D412,538	S	*	8/1999	Reidinger et al.	.....	D21/390
D415,684	S	*	10/1999	Reidenbach	.....	D9/453
D418,756	S	*	1/2000	Reidenbach	.....	D9/452
D418,757	S	*	1/2000	Reidenbach	.....	D9/453
D422,217	S	*	4/2000	Gundlach et al.	.....	D9/452
6,056,144	A	*	5/2000	Strange et al.	.....	220/297
D436,866	S	*	1/2001	Freeman	.....	D9/452
D442,089	S	*	5/2001	Sadeghi et al.	.....	D9/452
D443,513	S	*	6/2001	Goettner	.....	D9/452
D447,290	S	*	8/2001	Huai	.....	D30/129
D448,669	S	*	10/2001	Carducci et al.	.....	D9/454
6,478,183	B1	*	11/2002	Bacon et al.	.....	220/784
D474,377	S	*	5/2003	Holsinger	.....	D7/615
D481,946	S	*	11/2003	Nicholson et al.	.....	D9/436
6,783,421	B1	*	8/2004	Lopez	.....	446/153
D497,226	S	*	10/2004	Nauert	.....	D30/199
D500,677	S	*	1/2005	Druitt	.....	D9/452
6,857,770	B2	*	2/2005	Moore	.....	362/554
D508,188	S	*	8/2005	Zettle et al.	.....	D7/629
D515,922	S	*	2/2006	Pitman et al.	.....	D9/452
D516,426	S	*	3/2006	Golding	.....	D9/452
D517,322	S	*	3/2006	Zettle et al.	.....	D3/323
D521,382	S	*	5/2006	Gross et al.	.....	D9/452
D525,869	S	*	8/2006	Tedford	.....	D9/452
D526,029	S	*	8/2006	Ragonetti et al.	.....	D21/444
D535,143	S	*	1/2007	Kortleven	.....	D7/391
D535,189	S	*	1/2007	Pitman et al.	.....	D9/452
D536,396	S	*	2/2007	Crane et al.	.....	D21/444
D538,586	S	*	3/2007	Kaposi	.....	D7/391
D544,348	S	*	6/2007	Szczesniak	.....	D9/453
D545,618	S	*	7/2007	Zettle et al.	.....	D7/391
D560,739	S	*	1/2008	Bernatz	.....	D21/794
D561,585	S	*	2/2008	Philip et al.	.....	D9/439
D563,560	S	*	3/2008	Copeland et al.	.....	D24/224
D563,785	S	*	3/2008	Maki et al.	.....	D9/454
D564,877	S	*	3/2008	Hood et al.	.....	D9/454
D565,027	S	*	3/2008	Fosbrink	.....	D14/207
D566,640	S	*	4/2008	Holz et al.	.....	D12/197
D567,086	S	*	4/2008	Buchman et al.	.....	D9/454
7,387,082	B1	*	6/2008	Fried	.....	119/61.5
D587,579	S	*	3/2009	Bourque et al.	.....	D9/452
D588,866	S	*	3/2009	Ho	.....	D7/391
D591,101	S	*	4/2009	Galante	.....	D7/391
7,513,220	B2	*	4/2009	Ragonetti et al.	.....	119/707
D605,038	S	*	12/2009	Olive-Bartres et al.	.....	D9/453
D607,315	S	*	1/2010	George et al.	.....	D9/420
7,650,855	B2	*	1/2010	Krishnamurthy	.....	119/51.11
D616,745	S	*	6/2010	Stull et al.	.....	D9/452
D617,191	S	*	6/2010	Stull et al.	.....	D9/452
D618,099	S	*	6/2010	Biesecker et al.	.....	D9/452
7,726,259	B2	*	6/2010	Hepp et al.	.....	119/57.9
D619,456	S	*	7/2010	Walters	.....	D9/454
D629,120	S	*	12/2010	Lafond	.....	D24/224
D630,944	S	*	1/2011	Kawamura	.....	D9/454
D631,349	S	*	1/2011	Arnell et al.	.....	D9/452
D632,959	S	*	2/2011	Peters	.....	D9/454
D633,808	S	*	3/2011	Titherington	.....	D9/667
7,950,351	B2	*	5/2011	Mann	.....	119/660
D642,011	S	*	7/2011	Seager	.....	D7/391
D642,921	S	*	8/2011	Endert	.....	D9/454
D649,395	S	*	11/2011	Gehring	.....	D7/391
D658,014	S	*	4/2012	Miga, Jr.	.....	D7/629
8,191,728	B2	*	6/2012	Auer et al.	.....	220/784
8,205,761	B2	*	6/2012	Stull et al.	.....	215/220
D665,036	S	*	8/2012	Wechsler	.....	D21/444
D673,450	S	*	1/2013	Cronin et al.	.....	D9/452
D673,451	S	*	1/2013	Harvey et al.	.....	D9/452
D674,697	S	*	1/2013	Biesecker et al.	.....	D9/453
8,353,260	B1	*	1/2013	Wenstrand	.....	119/657
2005/0034681	A1	*	2/2005	Block	.....	119/707
2005/0092258	A1	*	5/2005	Markham	.....	119/707
2006/0273091	A1	*	12/2006	Hornke et al.	.....	220/380
2007/0151010	A1	*	7/2007	Ellerbe	.....	4/300.3
2007/0272164	A1	*	11/2007	Mann	.....	119/72
2008/0127903	A1	*	6/2008	Mann	.....	119/61.31

\* cited by examiner



**FIG. 1**

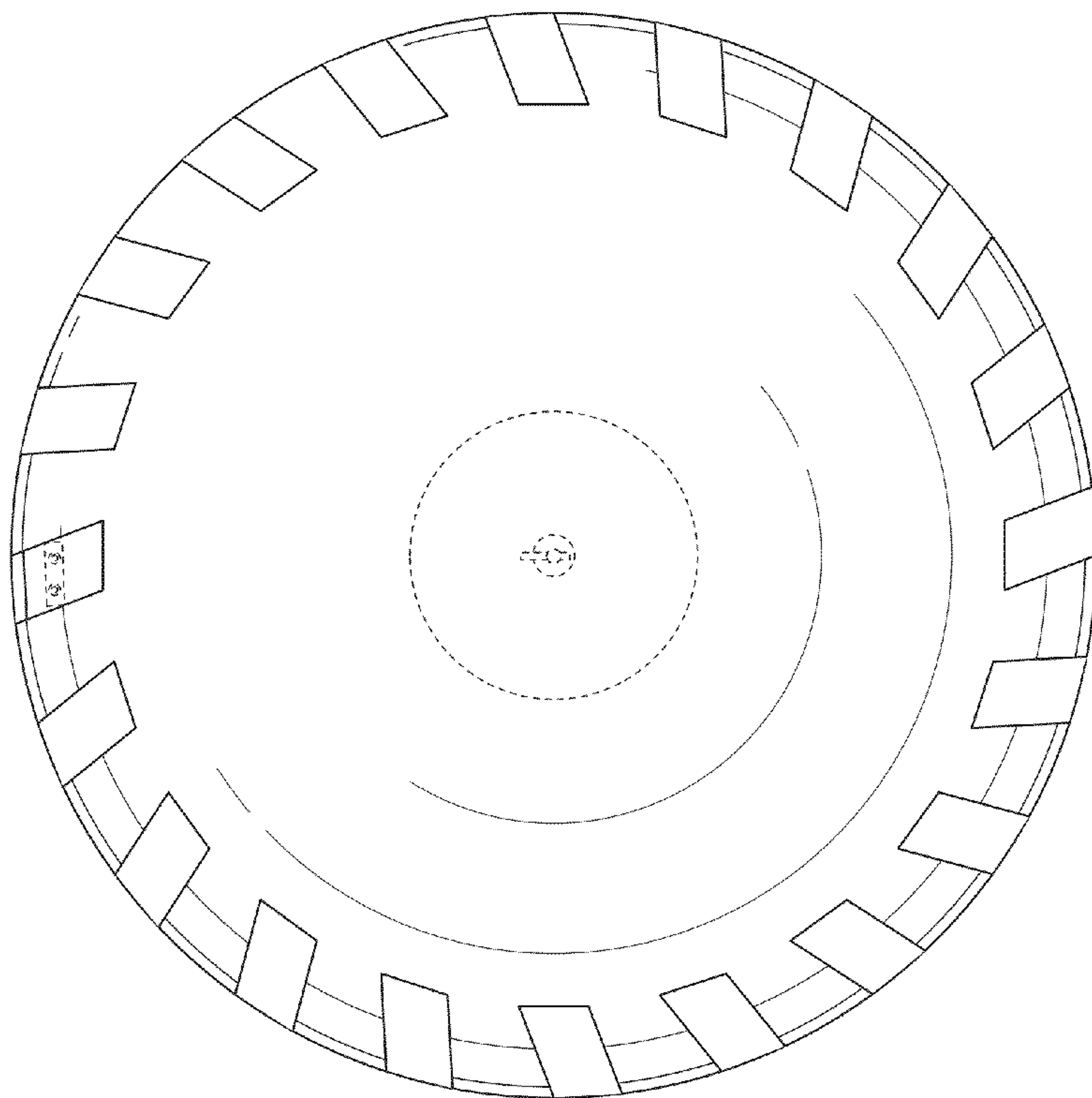
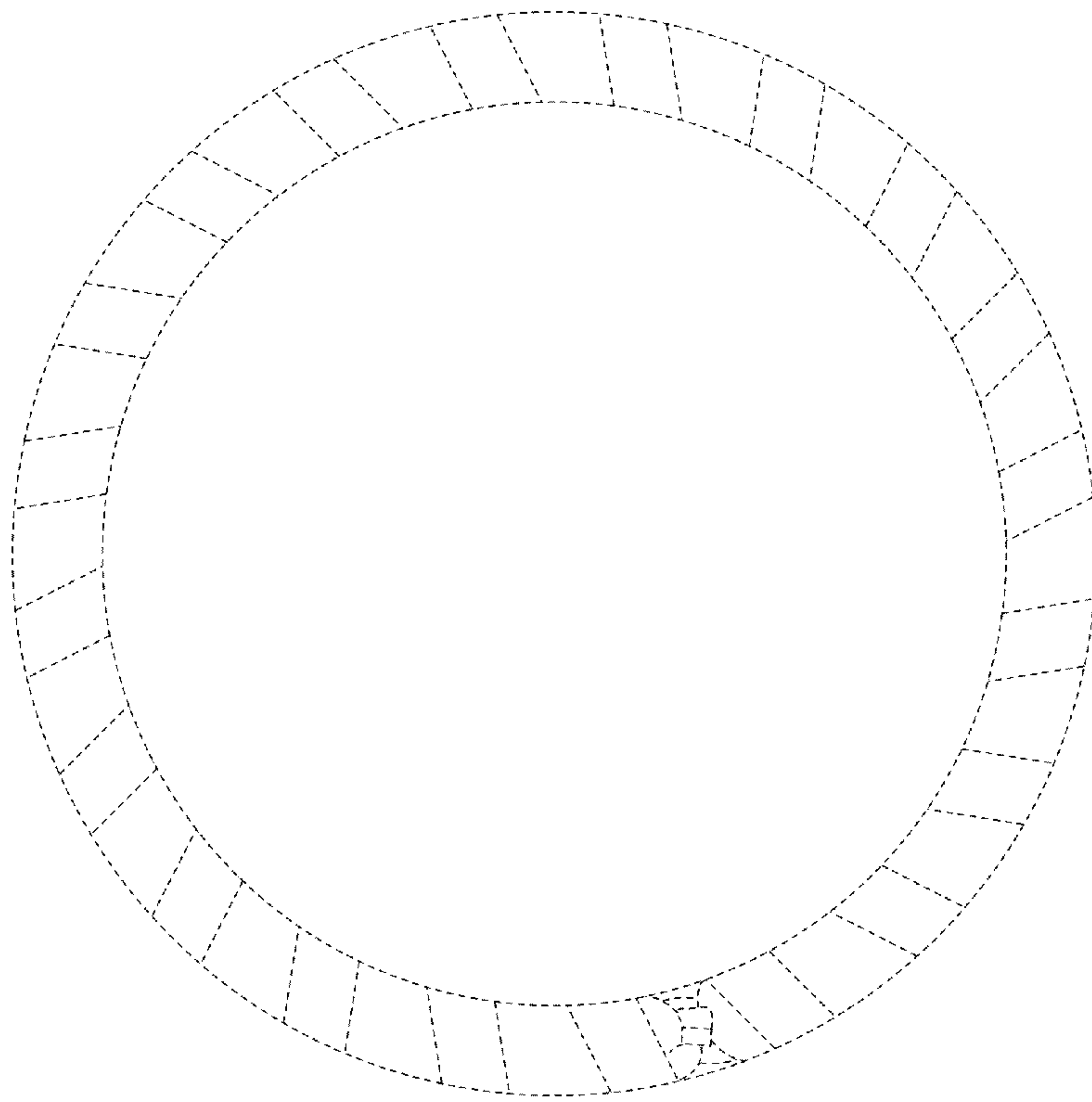


FIG. 2



**FIG. 3**



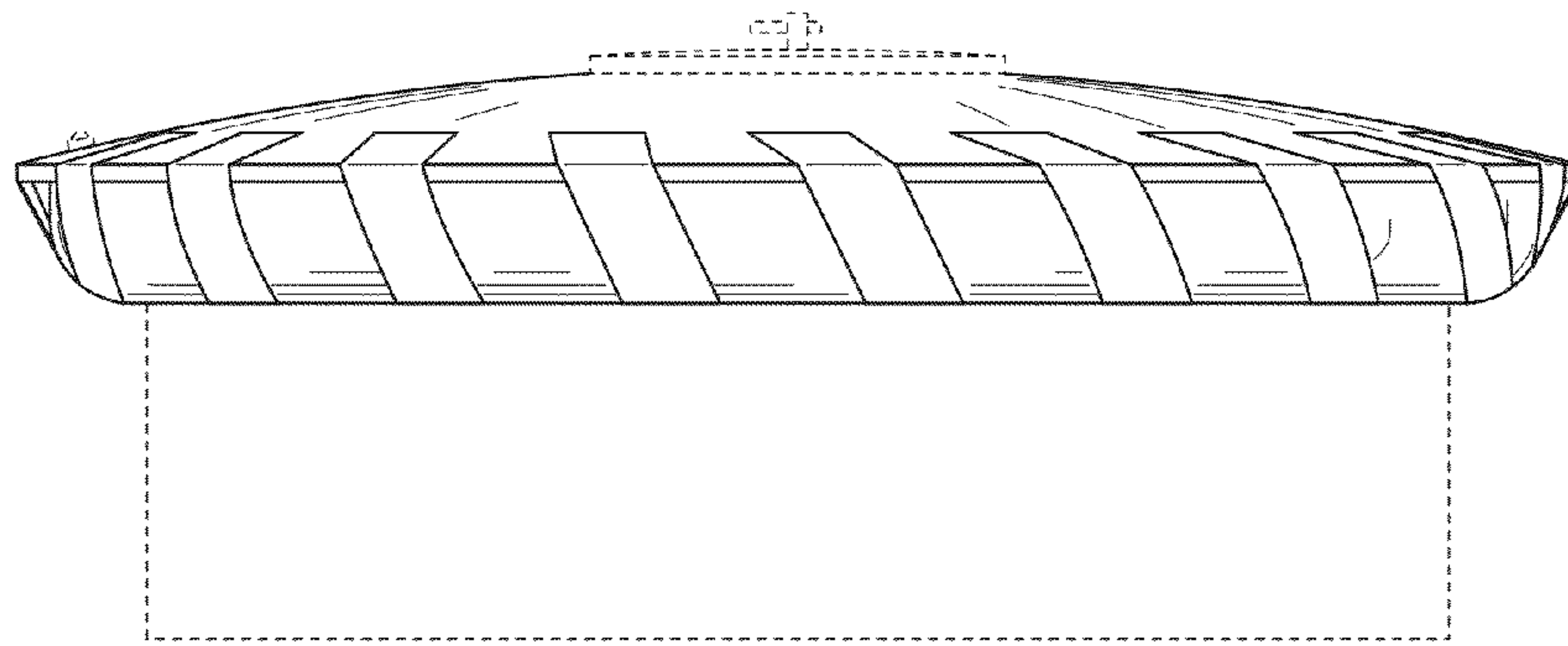


FIG. 4

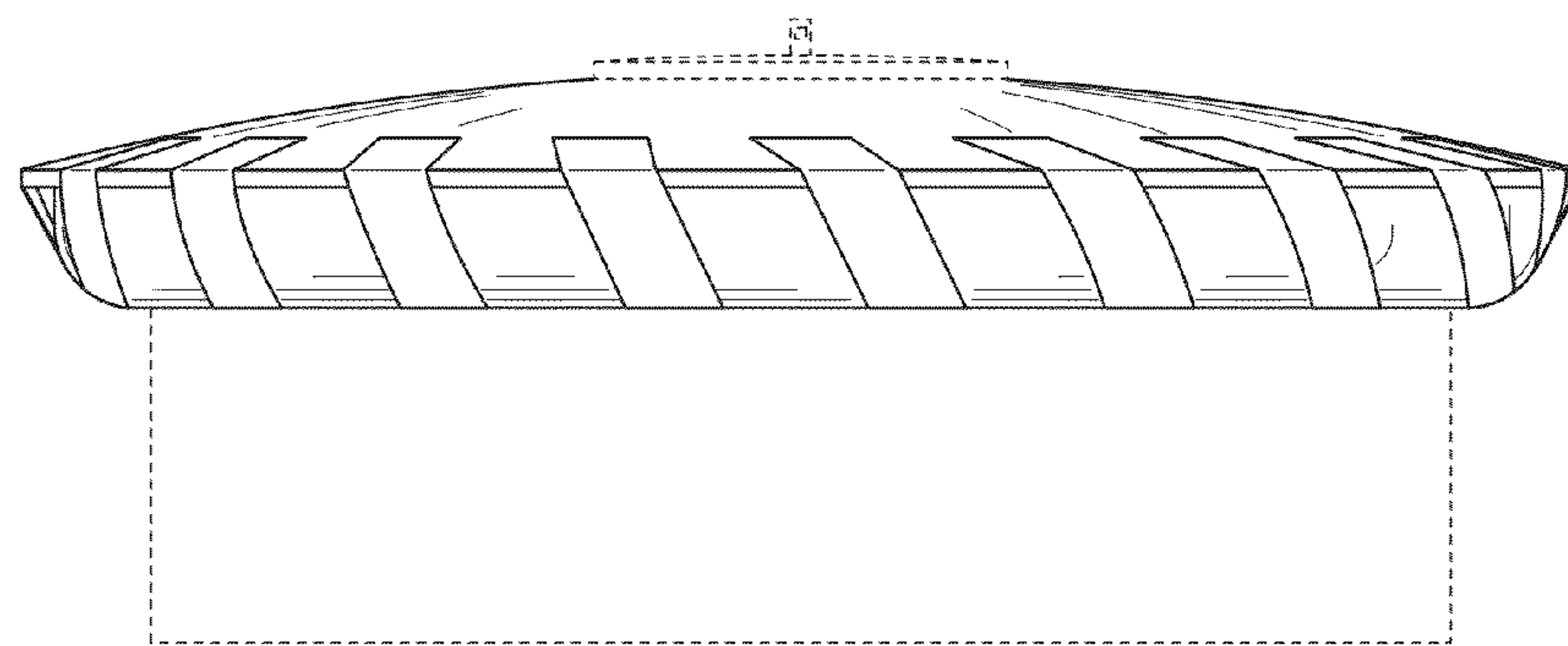


FIG. 5