



US00D687188S

(12) **United States Design Patent**  
**Lai**

(10) **Patent No.:** **US D687,188 S**  
(45) **Date of Patent:** **\*\* Jul. 30, 2013**

(54) **COSMETIC CASE**

(71) Applicant: **Chin-Chun Lai**, New Taipei (TW)

(72) Inventor: **Chin-Chun Lai**, New Taipei (TW)

(73) Assignee: **Chao Ling Chemical Industry Co., Ltd.**, New Taipei (TW)

(\*\*) Term: **14 Years**

(21) Appl. No.: **29/447,678**

(22) Filed: **Mar. 5, 2013**

(51) **LOC (9) Cl.** ..... **28-03**

(52) **U.S. Cl.**  
USPC ..... **D28/83**

(58) **Field of Classification Search**  
USPC ..... D28/76-84; 206/581, 823, 1.8;  
132/286-318, 320, 319; D19/35-36  
See application file for complete search history.

(56) **References Cited**

U.S. PATENT DOCUMENTS

4,951,692	A *	8/1990	Yuhara et al.	132/293
5,813,420	A *	9/1998	Sussman	132/294
D410,569	S *	6/1999	Morgan	D28/78
D468,868	S *	1/2003	Thorpe et al.	D28/83
D631,610	S *	1/2011	Barresi et al.	D28/83

D650,948	S *	12/2011	Barresi et al.	D28/83
D656,679	S *	3/2012	Lai	D28/83
2009/0255846	A1 *	10/2009	Pires et al.	206/581
2010/0031971	A1 *	2/2010	Ha	132/293
2012/0272997	A1 *	11/2012	Chen	132/316
2013/0015098	A1 *	1/2013	Chen	206/581

\* cited by examiner

*Primary Examiner* — Jennifer Rivard

(74) *Attorney, Agent, or Firm* — Leong C. Lei

(57) **CLAIM**

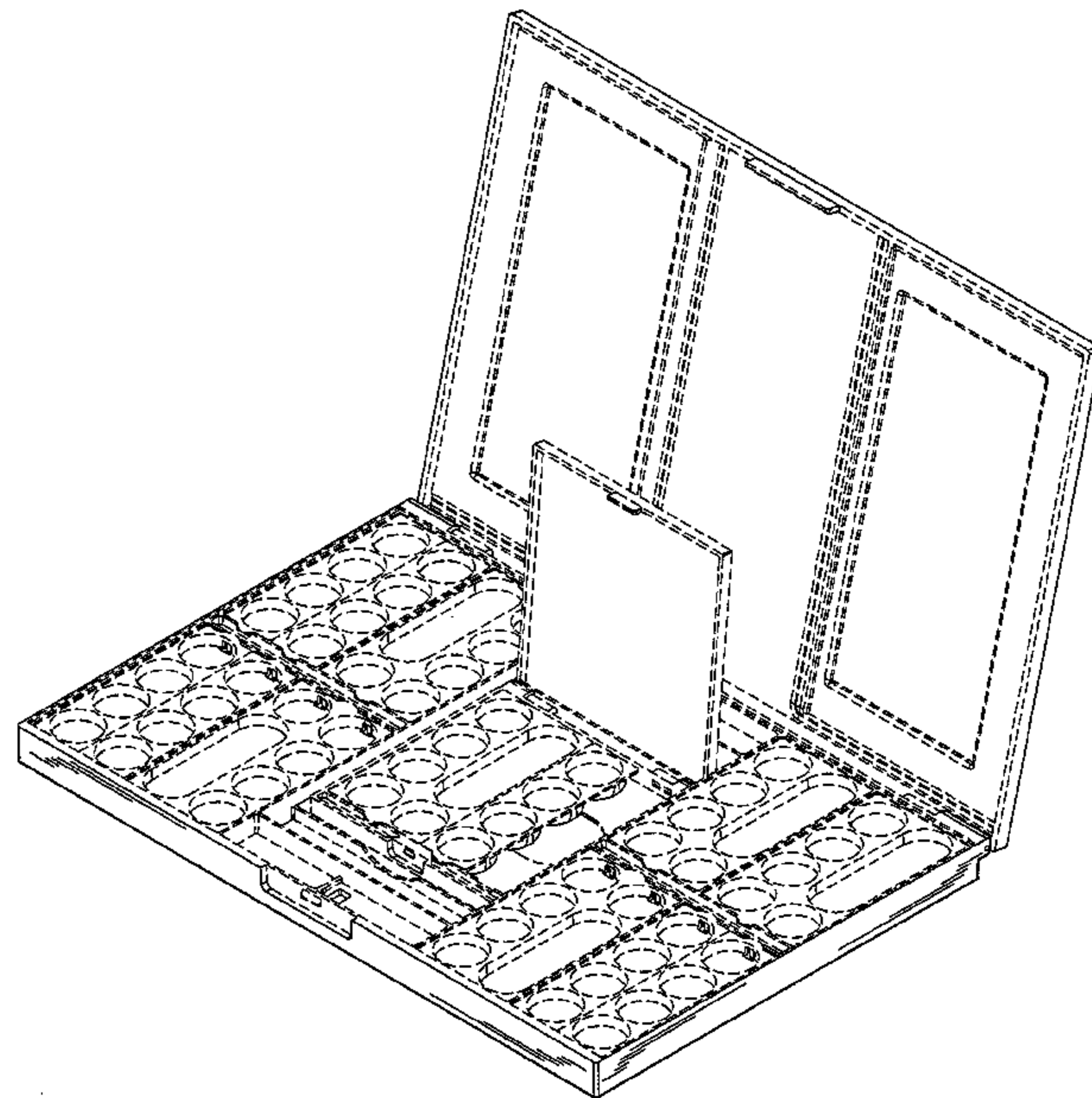
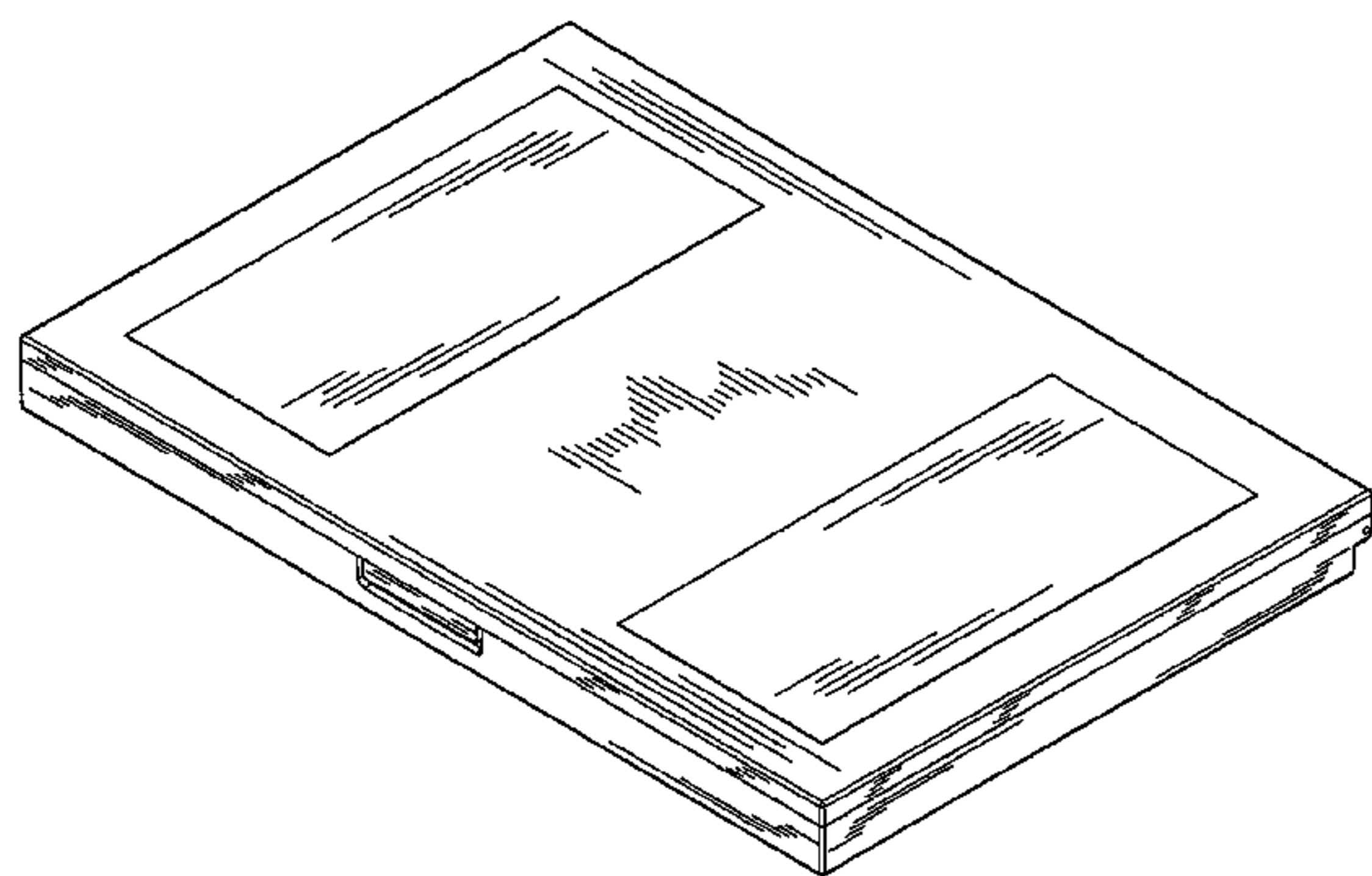
The ornamental design for a cosmetic case, as shown and described.

**DESCRIPTION**

FIG. 1 is a front perspective view of a cosmetic case showing my new design;  
FIG. 2 is a front elevational view thereof;  
FIG. 3 is a rear elevational view thereof;  
FIG. 4 is a left elevational view thereof;  
FIG. 5 is a right elevational view thereof;  
FIG. 6 is a top plan view thereof;  
FIG. 7 is a bottom plan view thereof; and,  
FIG. 8 is another perspective view thereof, showing the status while in use.

The dotted lines illustrate the internal storage compartments and form no part of the claimed design.

**1 Claim, 8 Drawing Sheets**



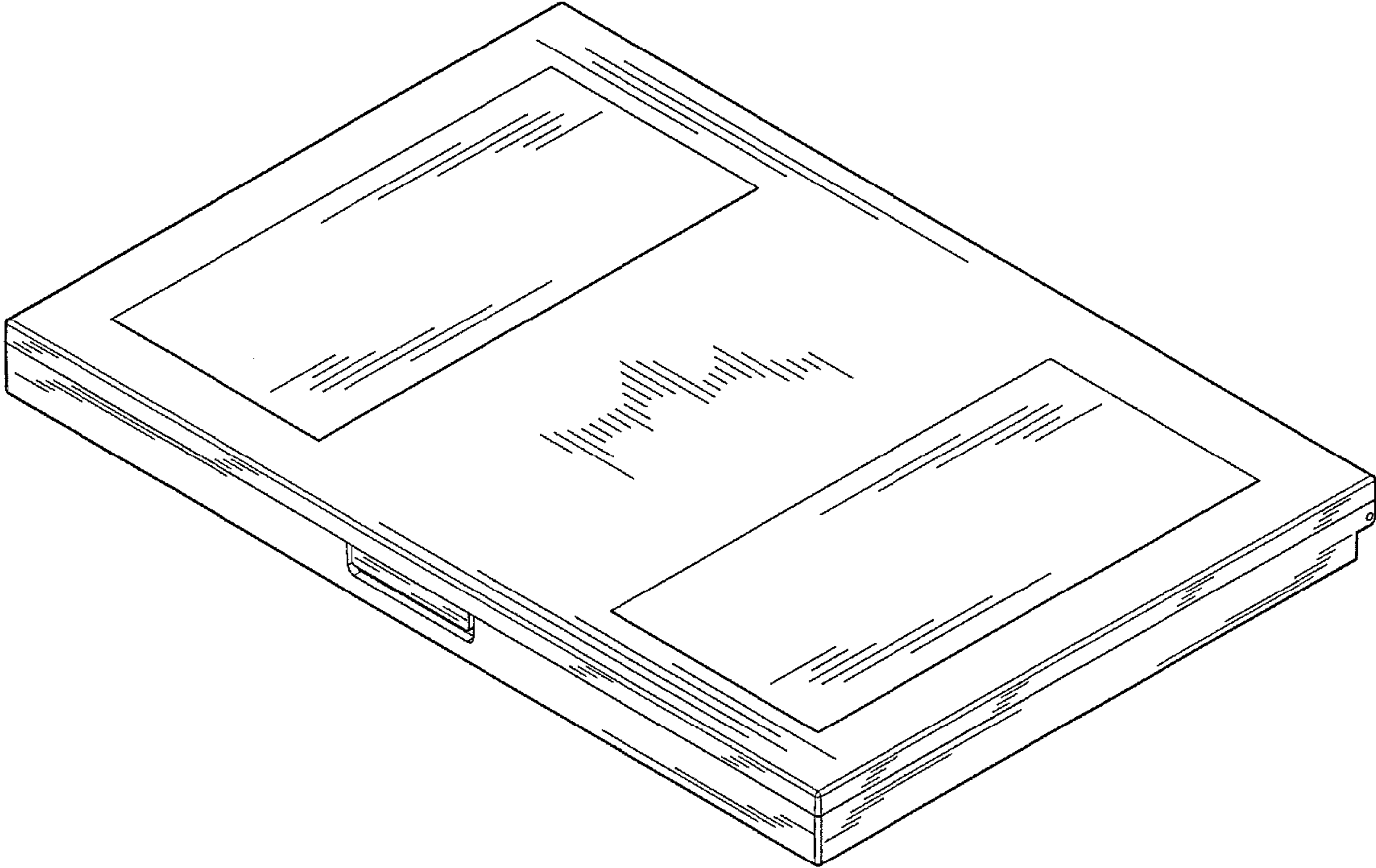


FIG. 1

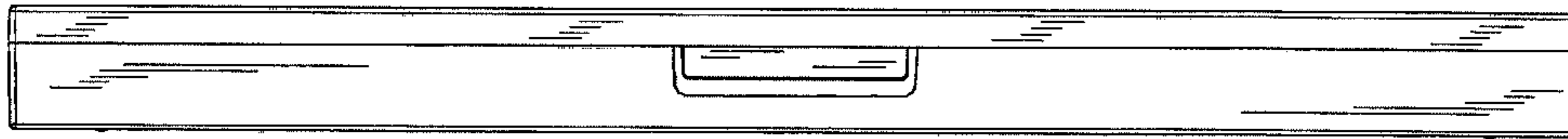


FIG.2

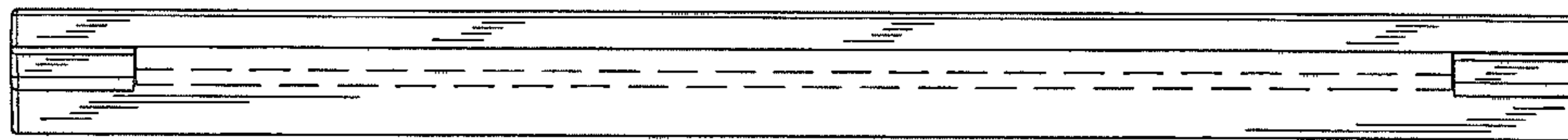


FIG.3



FIG. 4



FIG.5

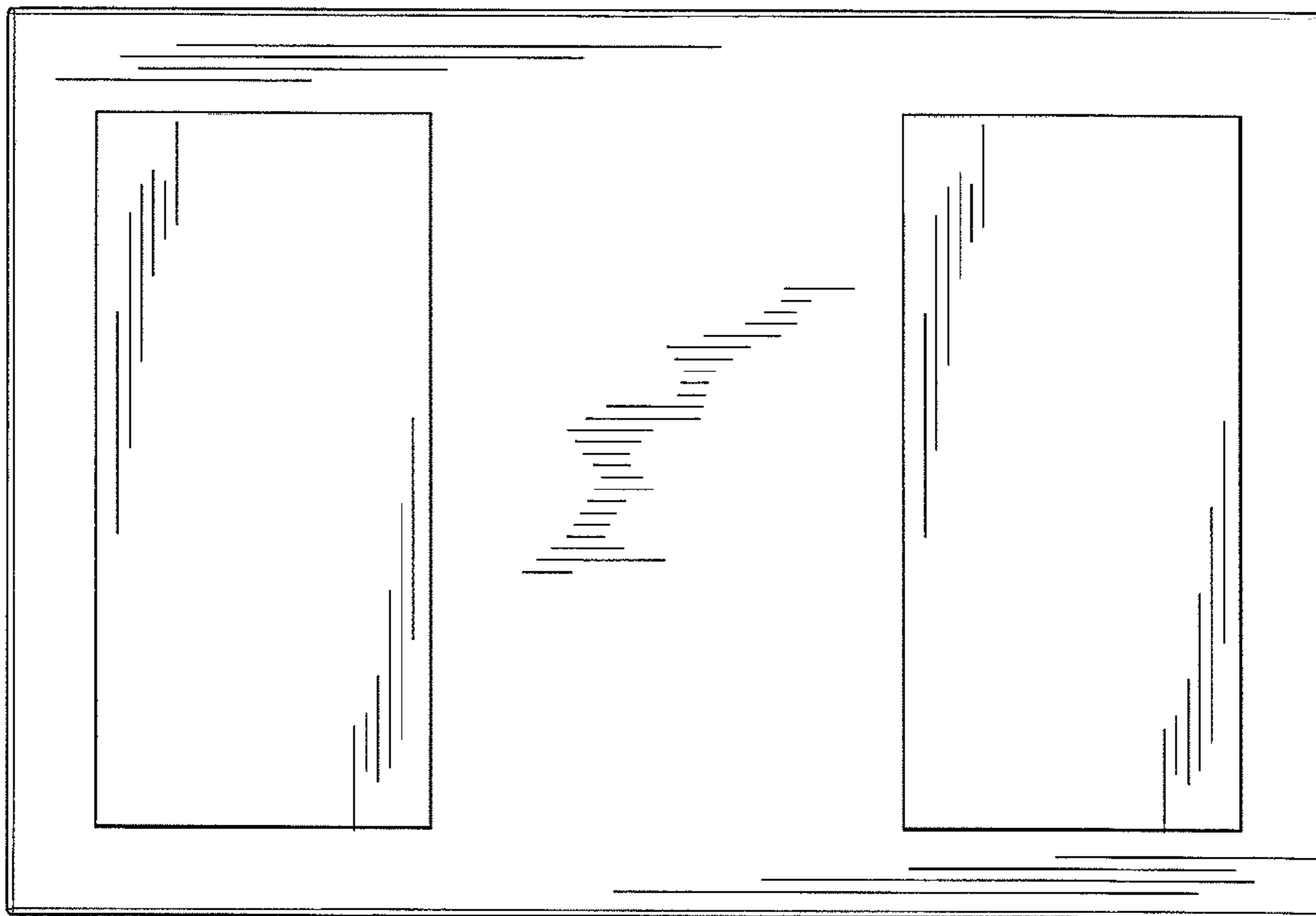


FIG. 6

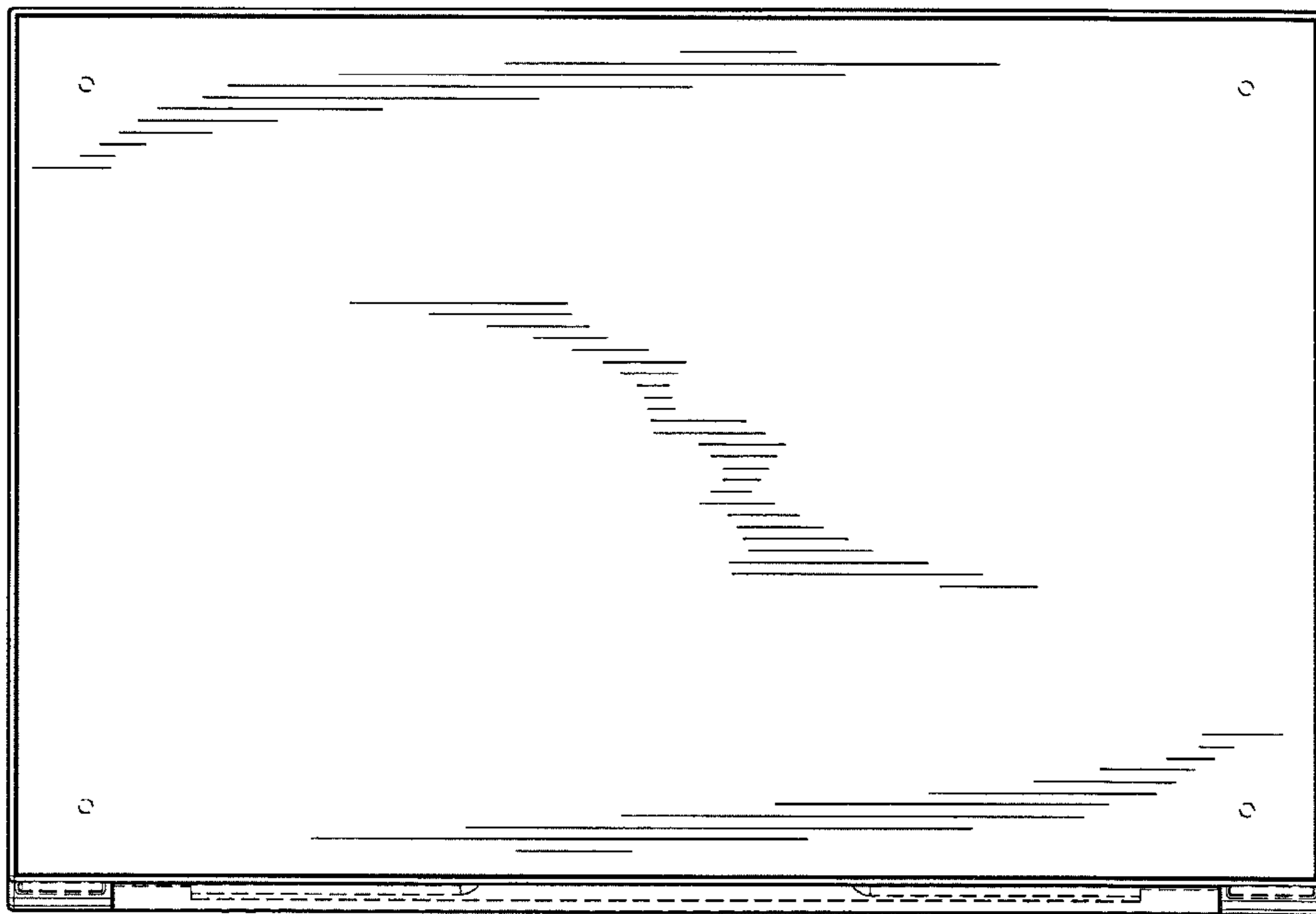


FIG. 7



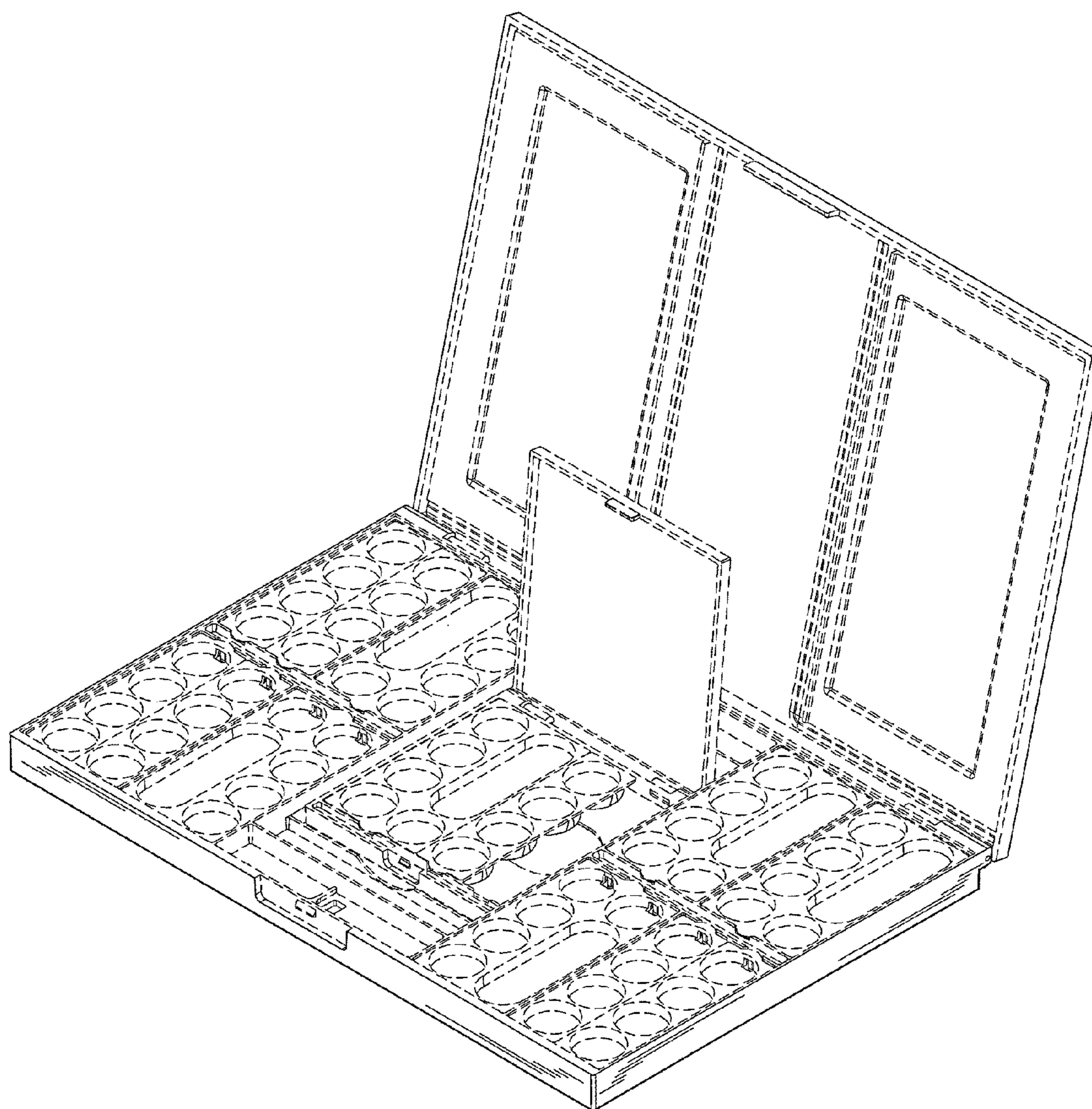


FIG.8