



US00D687186S

(12) **United States Design Patent**
Lai

(10) **Patent No.:** **US D687,186 S**
(45) **Date of Patent:** **** Jul. 30, 2013**

(54) **COSMETIC CASE**

(71) Applicant: **Chin-Chun Lai**, New Taipei (TW)

(72) Inventor: **Chin-Chun Lai**, New Taipei (TW)

(73) Assignee: **Chao Ling Chemical Industry Co., Ltd.**, New Taipei (TW)

(**) Term: **14 Years**

(21) Appl. No.: **29/445,145**

(22) Filed: **Feb. 7, 2013**

(51) **LOC (9) Cl.** **28-03**

(52) **U.S. Cl.**
USPC **D28/83**

(58) **Field of Classification Search**
USPC D28/76-84; 206/581, 823, 1.8;
132/286-318, 320, 319; D19/35-36
See application file for complete search history.

(56) **References Cited**

U.S. PATENT DOCUMENTS

4,951,692	A *	8/1990	Yuhara et al.	132/293
5,813,420	A *	9/1998	Sussman	132/294
D410,569	S *	6/1999	Morgan	D28/78
D468,868	S *	1/2003	Thorpe et al.	D28/83
D631,610	S *	1/2011	Barresi et al.	D28/83
D650,948	S *	12/2011	Barresi et al.	D28/83
D656,679	S *	3/2012	Lai	D28/83

2009/0255846	A1 *	10/2009	Pires et al.	206/581
2010/0031971	A1 *	2/2010	Ha	132/293
2012/0272997	A1 *	11/2012	Chen	132/316
2013/0015098	A1 *	1/2013	Chen	206/581

* cited by examiner

Primary Examiner — Jennifer Rivard

(74) *Attorney, Agent, or Firm* — Leong C. Lei

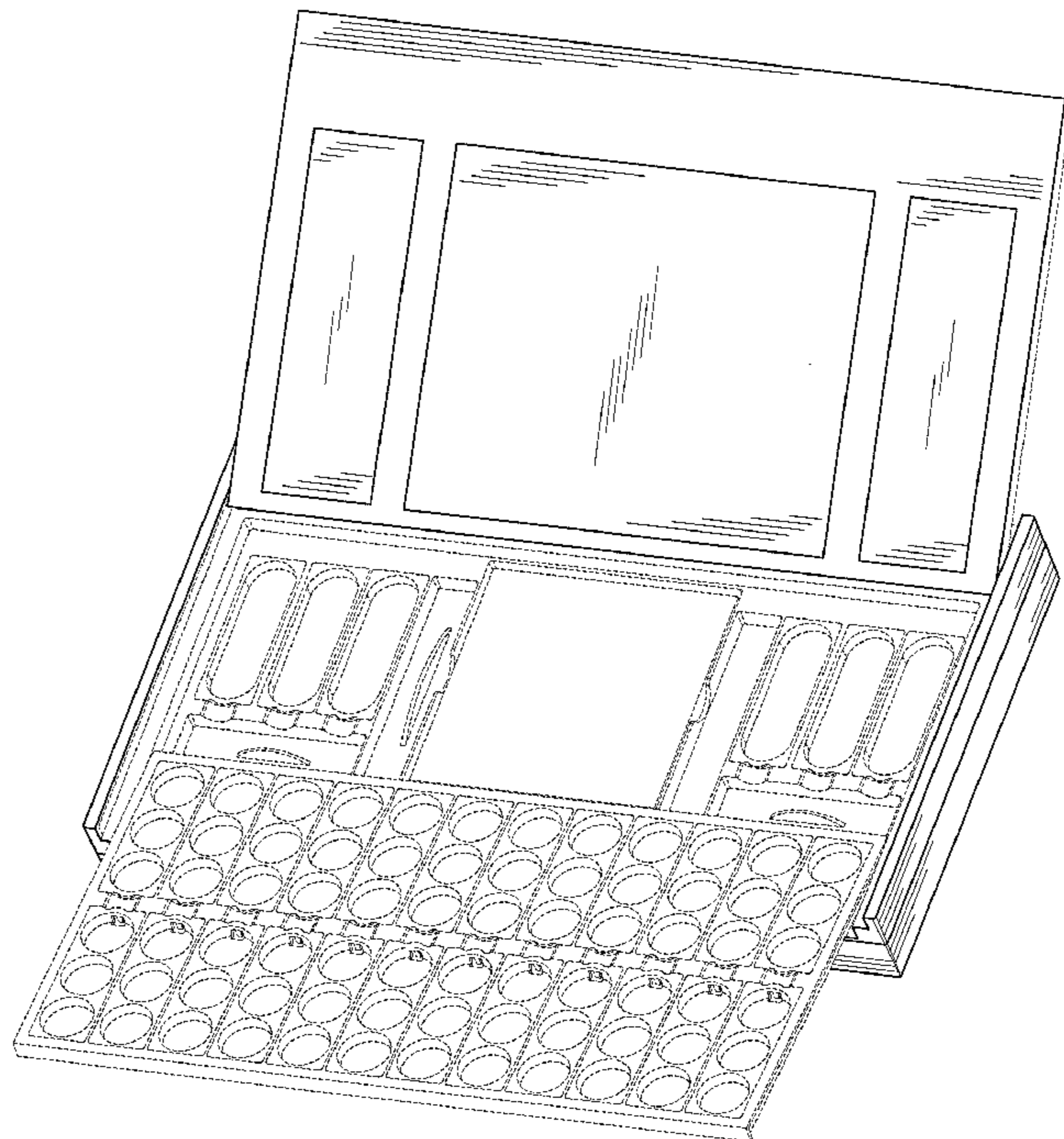
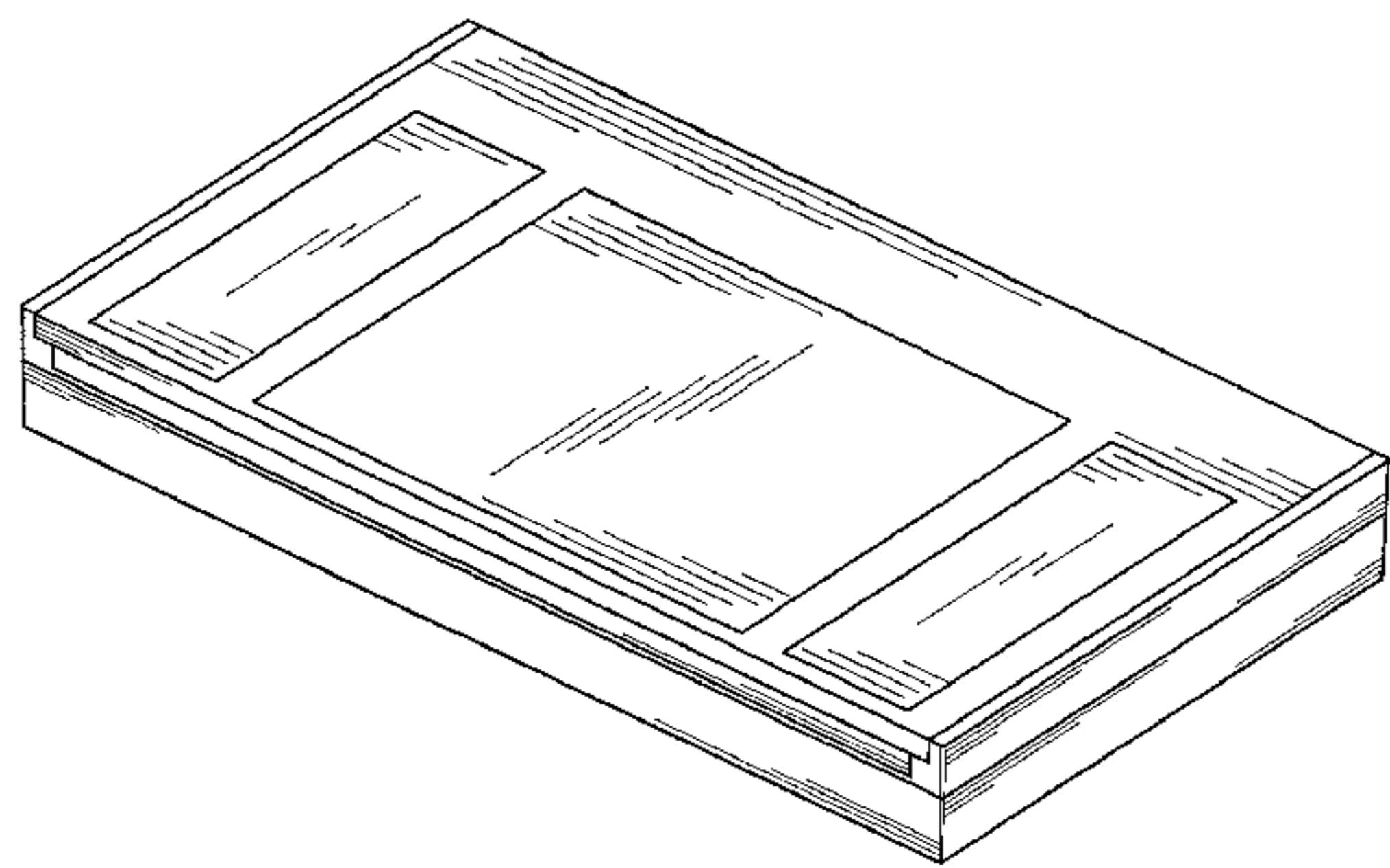
(57) **CLAIM**

The ornamental design for a cosmetic case, as shown and described.

DESCRIPTION

FIG. 1 is a front perspective view of a cosmetic case showing my new design;
 FIG. 2 is a front elevational view thereof;
 FIG. 3 is a rear elevational view thereof;
 FIG. 4 is a left elevational view thereof;
 FIG. 5 is a right elevational view thereof;
 FIG. 6 is a top plan view thereof;
 FIG. 7 is a bottom plan view thereof, with a stand engaged; and,
 FIG. 8 is another perspective view thereof, showing the status while in use.
 The dotted line showing of the stand and internal storage compartments is for illustrative purposes only and forms no part of the claimed design.

1 Claim, 8 Drawing Sheets



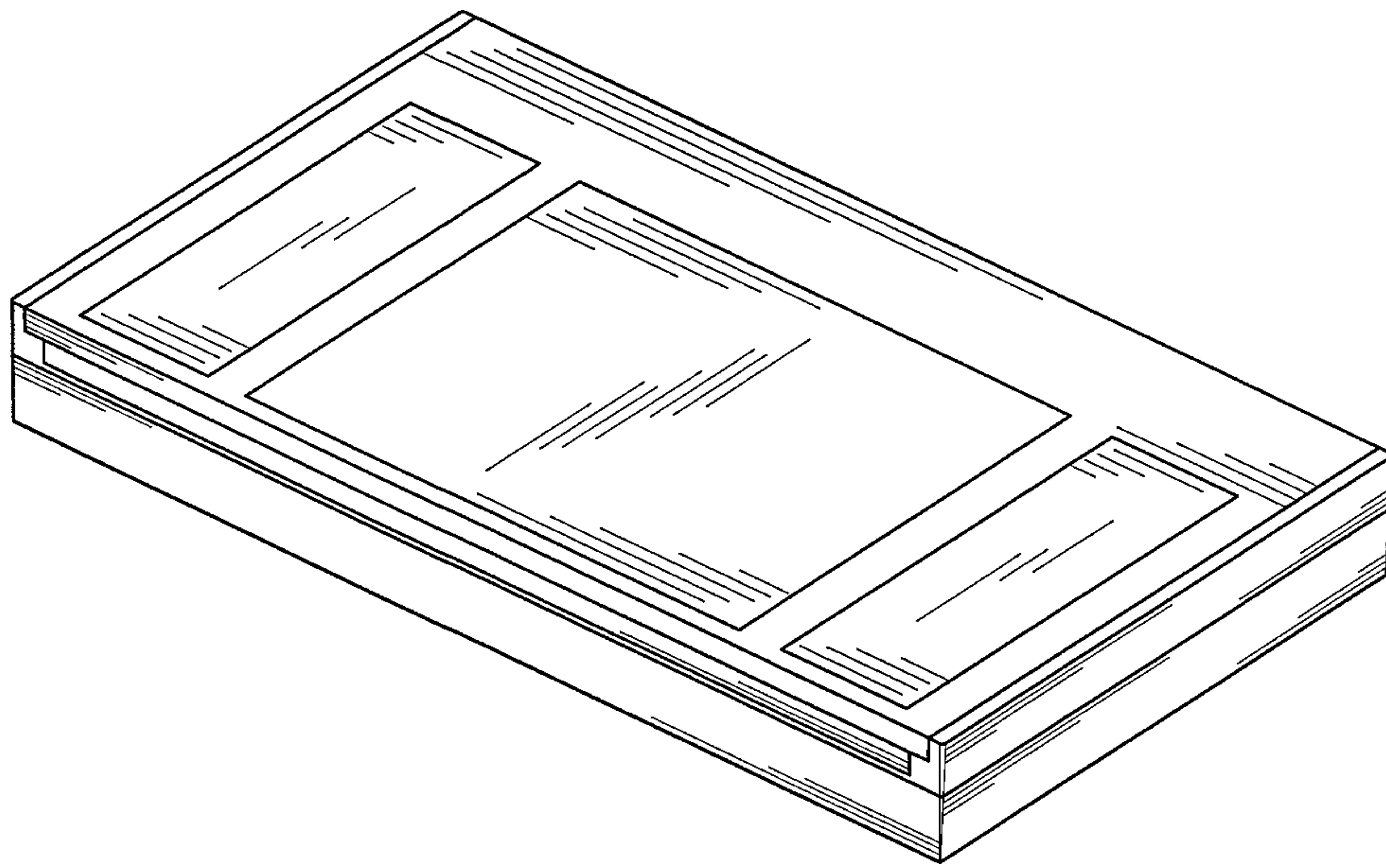


FIG. 1

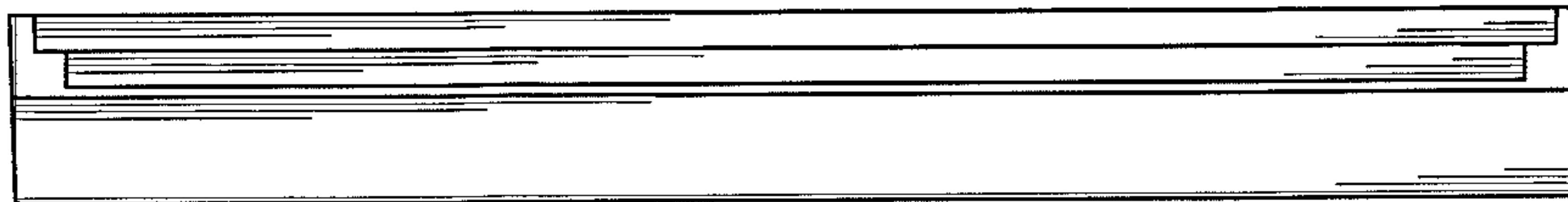


FIG.2

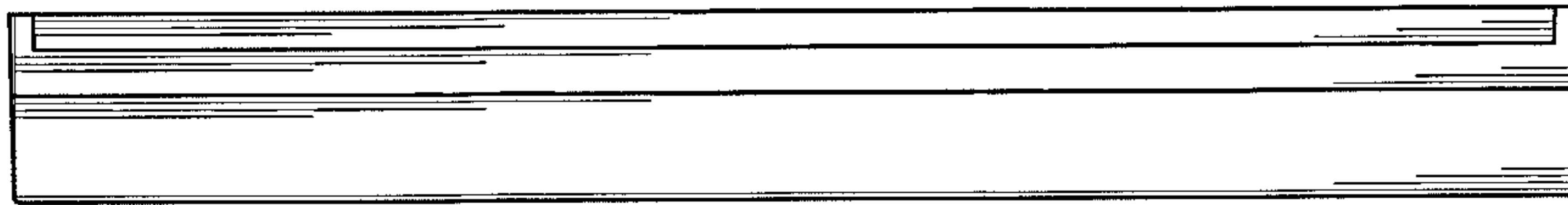


FIG.3

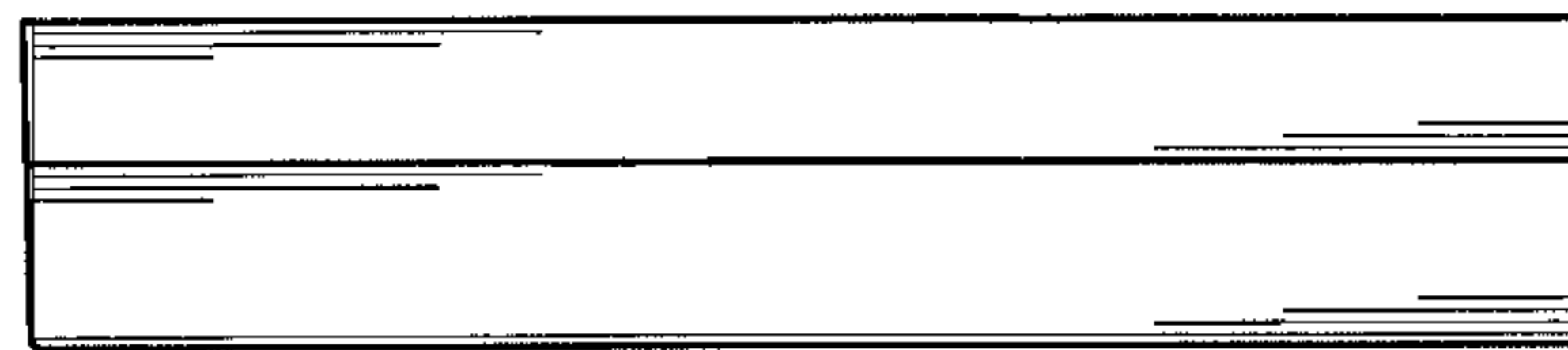


FIG.4

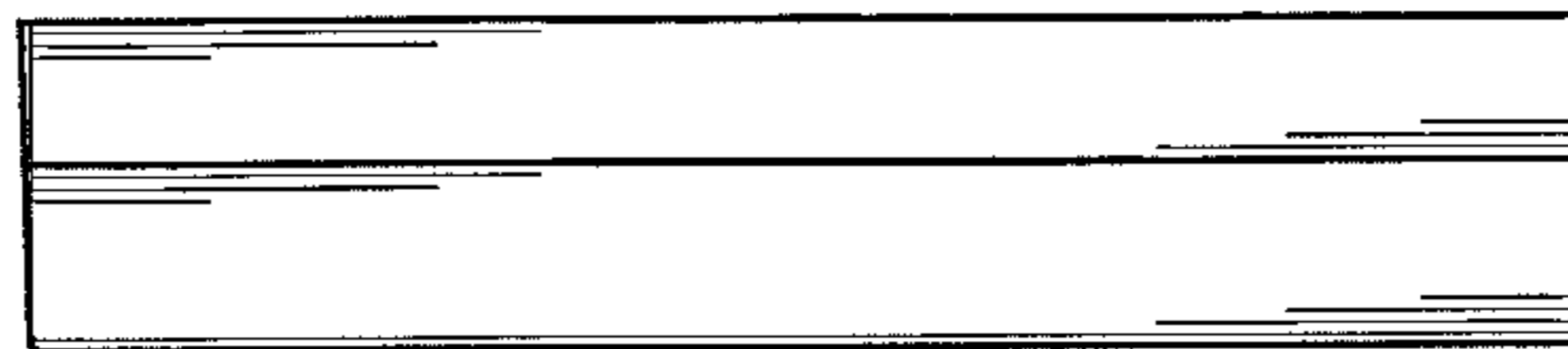


FIG.5

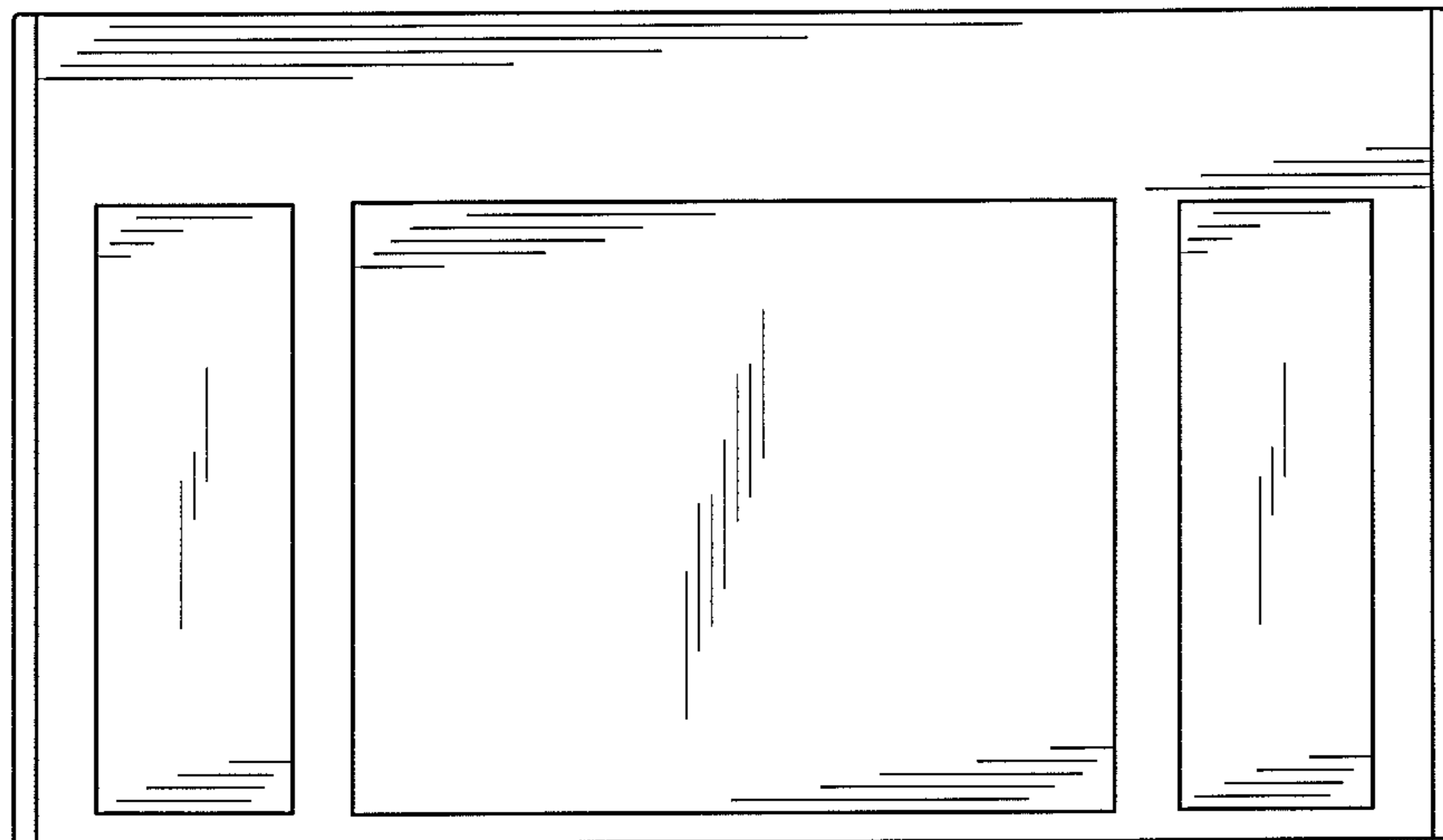


FIG.6

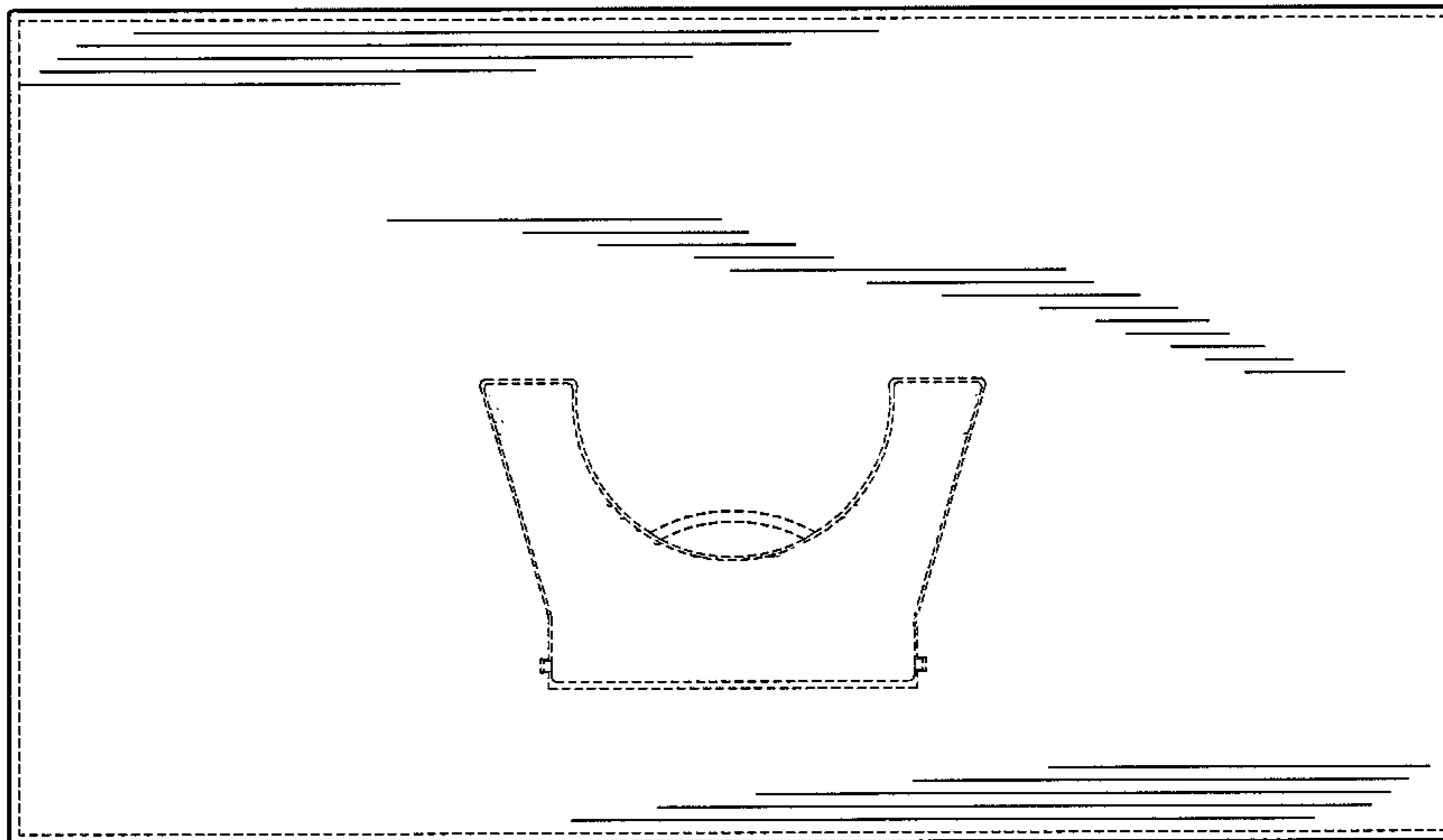


FIG. 7

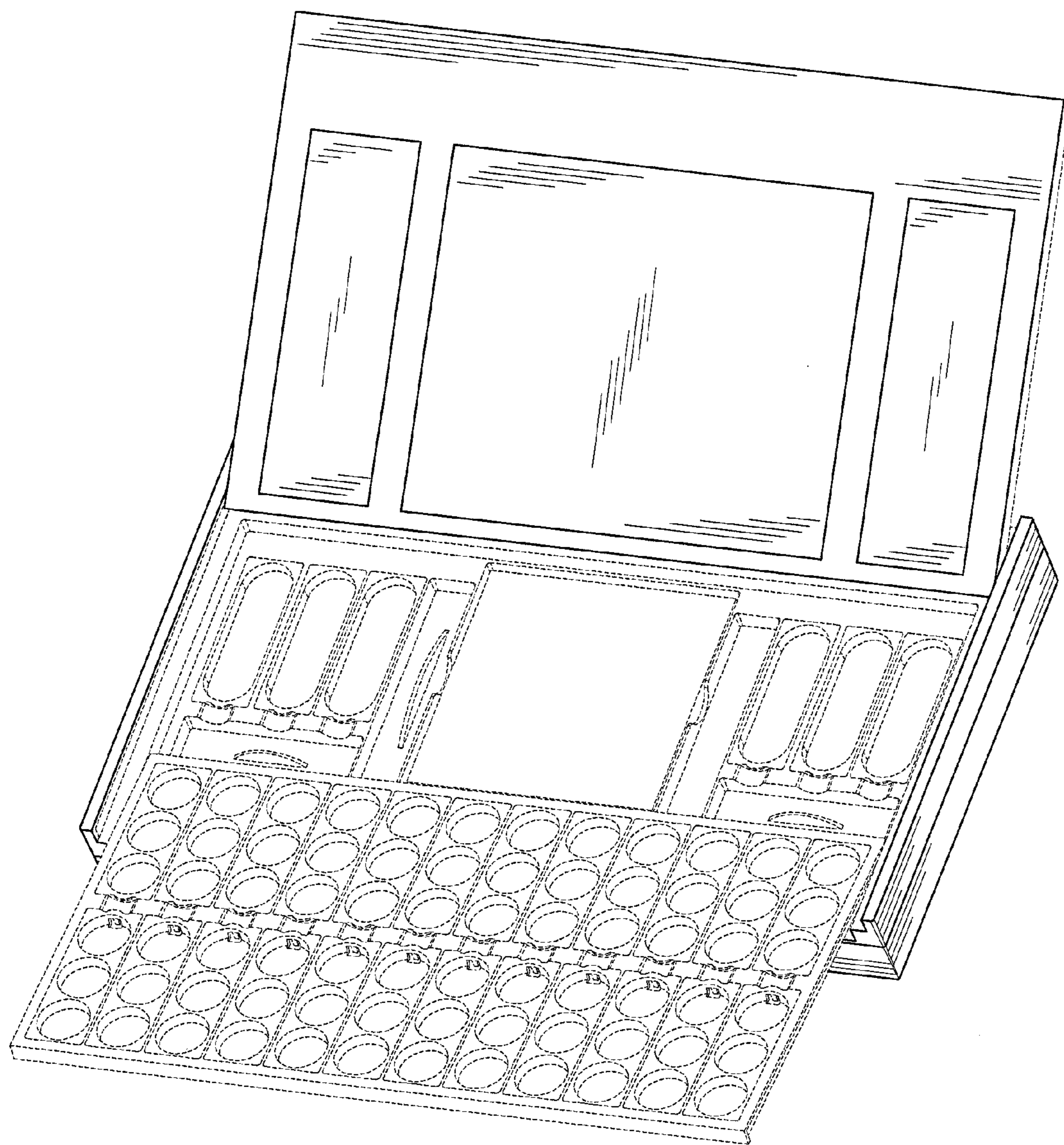


FIG.8