



US00D687182S

(12) **United States Design Patent**  
**Gordon et al.**

(10) **Patent No.:** **US D687,182 S**  
(45) **Date of Patent:** **\*\* Jul. 30, 2013**

(54) **CAPSULE CONTAINING DISHWASHING POWDER**

(75) Inventors: **James William Gordon**, Ulverston (GB); **Steven Hedley Holden**, Barrow-in-Furness (GB)

(73) Assignee: **Robert McBride, Ltd**, Manchester (GB)

(\*\*) Term: **14 Years**

(21) Appl. No.: **29/374,436**

(22) Filed: **Aug. 11, 2011**

(30) **Foreign Application Priority Data**

Mar. 29, 2011 (EM) ..... 001842725-0001

(51) **LOC (9) Cl.** ..... **28-03**

(52) **U.S. Cl.**  
USPC ..... **D28/8.1**

(58) **Field of Classification Search**

USPC ..... D28/8.1-8.2, 4; D9/707, 710, 715, D9/414, 424-428; 510/141-148, 194, 276, 510/224, 277, 294-298, 439-450, 514, 520, 510/523

See application file for complete search history.

(56) **References Cited**

**U.S. PATENT DOCUMENTS**

D446,348 S 8/2001 Beaujean  
D447,836 S 9/2001 Beaujean

(Continued)

**FOREIGN PATENT DOCUMENTS**

EM 001219224-0000 6/2010  
EM 001219224-0001 6/2010

(Continued)

*Primary Examiner* — Jennifer Rivard

(74) *Attorney, Agent, or Firm* — Knobbe Martens Olson & Bear LLP

(57) **CLAIM**

The ornamental design for a capsule containing dishwashing powder, as shown and described.

**DESCRIPTION**

FIG. 1 is a front side, right side, and top perspective view of an embodiment of a capsule containing washing products of the present design;

FIG. 2 is a top view of the capsule containing washing products of FIG. 1;

FIG. 3 is a bottom view of the capsule containing washing products of FIG. 1;

FIG. 4 is a front side view of the capsule containing washing products of FIG. 1, the back side being a mirror image of the front side;

FIG. 5 is a right side view of the capsule containing washing products of FIG. 1, the left side being a mirror image of the right side;

FIG. 6 is a front side, right side, and top perspective view of an embodiment of a capsule containing washing products of the present design;

FIG. 7 is a top view of the capsule containing washing products of FIG. 6;

FIG. 8 is a bottom view of the capsule containing washing products of FIG. 6;

FIG. 9 is a front side view of the capsule containing washing products of FIG. 6, the back side being a mirror image of the front side;

FIG. 10 is a right side view of the capsule containing washing products of FIG. 6, the left side being a mirror image of the right side;

FIG. 11 is a front side, right side, and top perspective view of an embodiment of a capsule containing washing products of the present design showing a centrally positioned insert of a first color and washing powder of a second color;

FIG. 12 is a top view of the capsule containing washing products of FIG. 11;

FIG. 13 is a bottom view of the capsule containing washing products of FIG. 11;

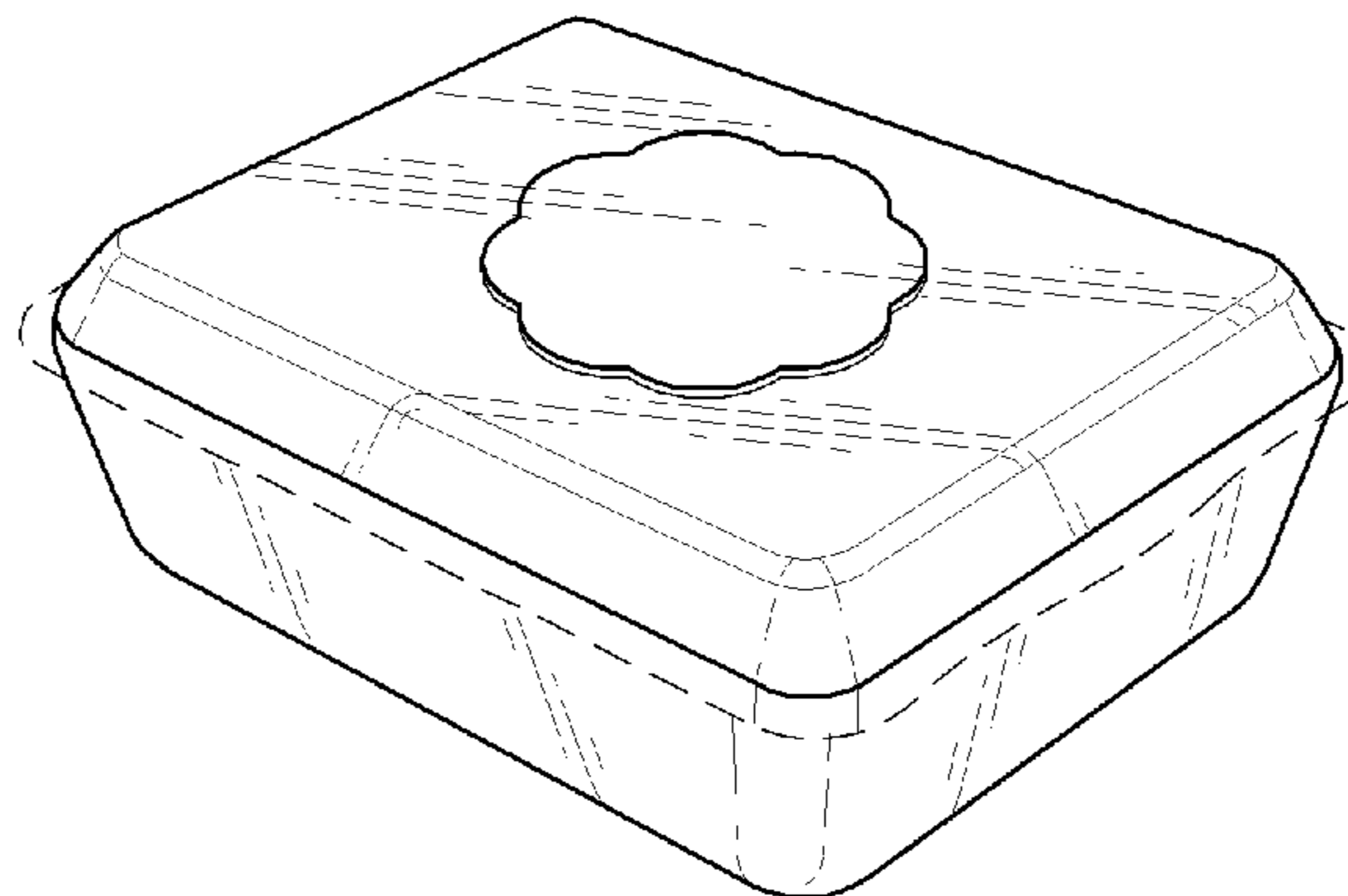
FIG. 14 is a front side view of the capsule containing washing products of FIG. 11, the back side being a mirror image of the front side; and,

FIG. 15 is a right side view of the capsule containing washing products of FIG. 11, the left side being a mirror image of the right side.

In the drawings, the broken lines show portions of the capsule containing dishwashing powder which form no part of the claimed design.

The speckled shading illustrates a contrasting appearance.

**1 Claim, 6 Drawing Sheets**



# US D687,182 S

Page 2

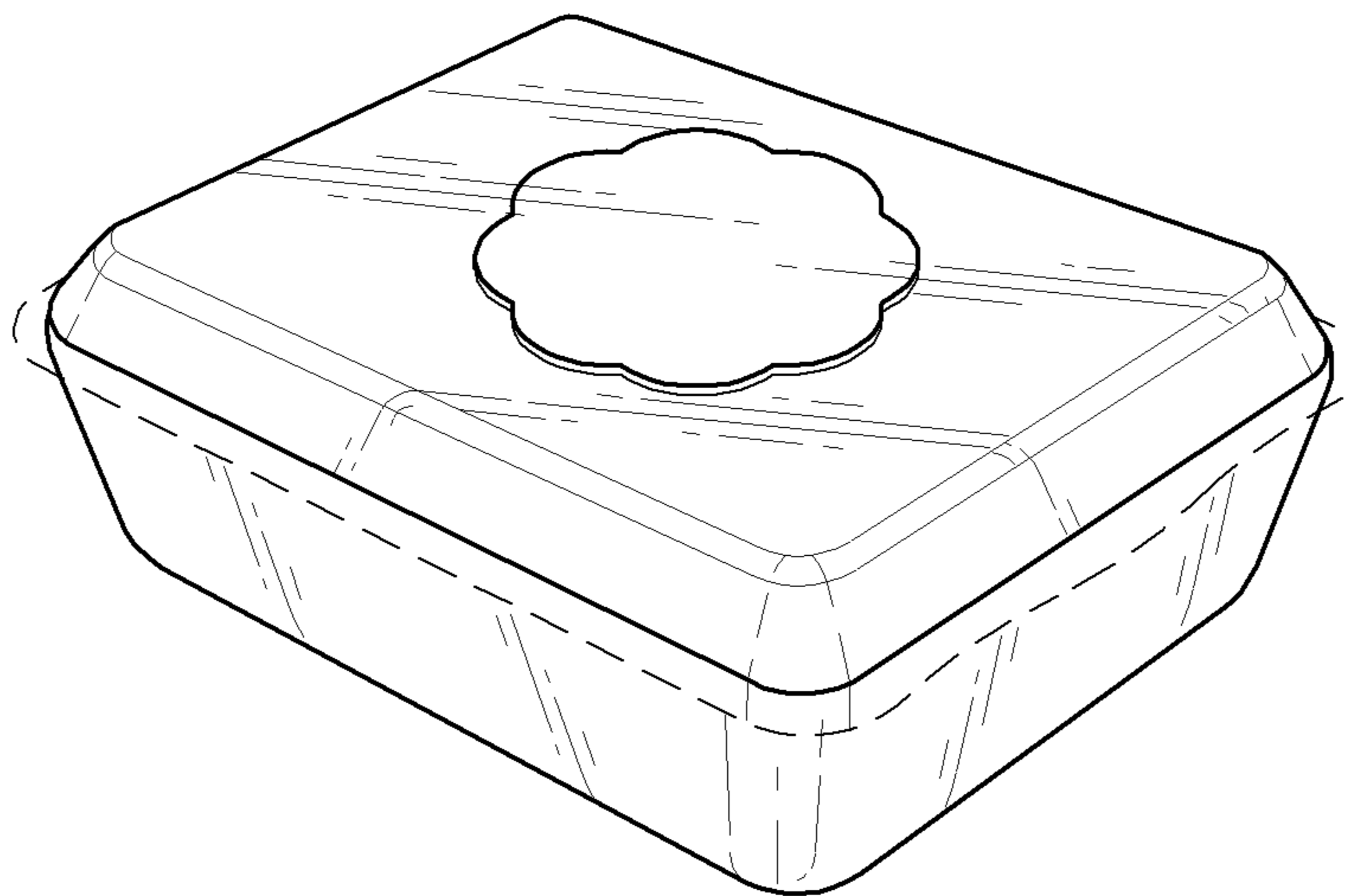
## U.S. PATENT DOCUMENTS

D451,242	S	11/2001	Neergaard	
D452,933	S	1/2002	Friesenhahn	
D474,857	S	5/2003	McLeish	
D505,516	S	5/2005	McLeish	
D549,870	S	8/2007	McCarthy	
D562,496	S	2/2008	Wiedemann	
D563,598	S	3/2008	Wiedemann	
D564,899	S *	3/2008	Hardy .....	D9/715
D566,893	S	4/2008	McCarthy	
D566,894	S	4/2008	Wiedemann	
D583,180	S	12/2008	Haile	
D629,240	S	12/2010	Egan	
D652,165	S *	1/2012	Gordon et al. ....	D28/8.1
D663,894	S *	7/2012	Davanzo et al. ....	D28/8.1
2003/0119707	A1	6/2003	Kosub et al.	
2009/0018042	A1	1/2009	Wiedemann	
2010/0021534	A1	1/2010	Duffield et al.	

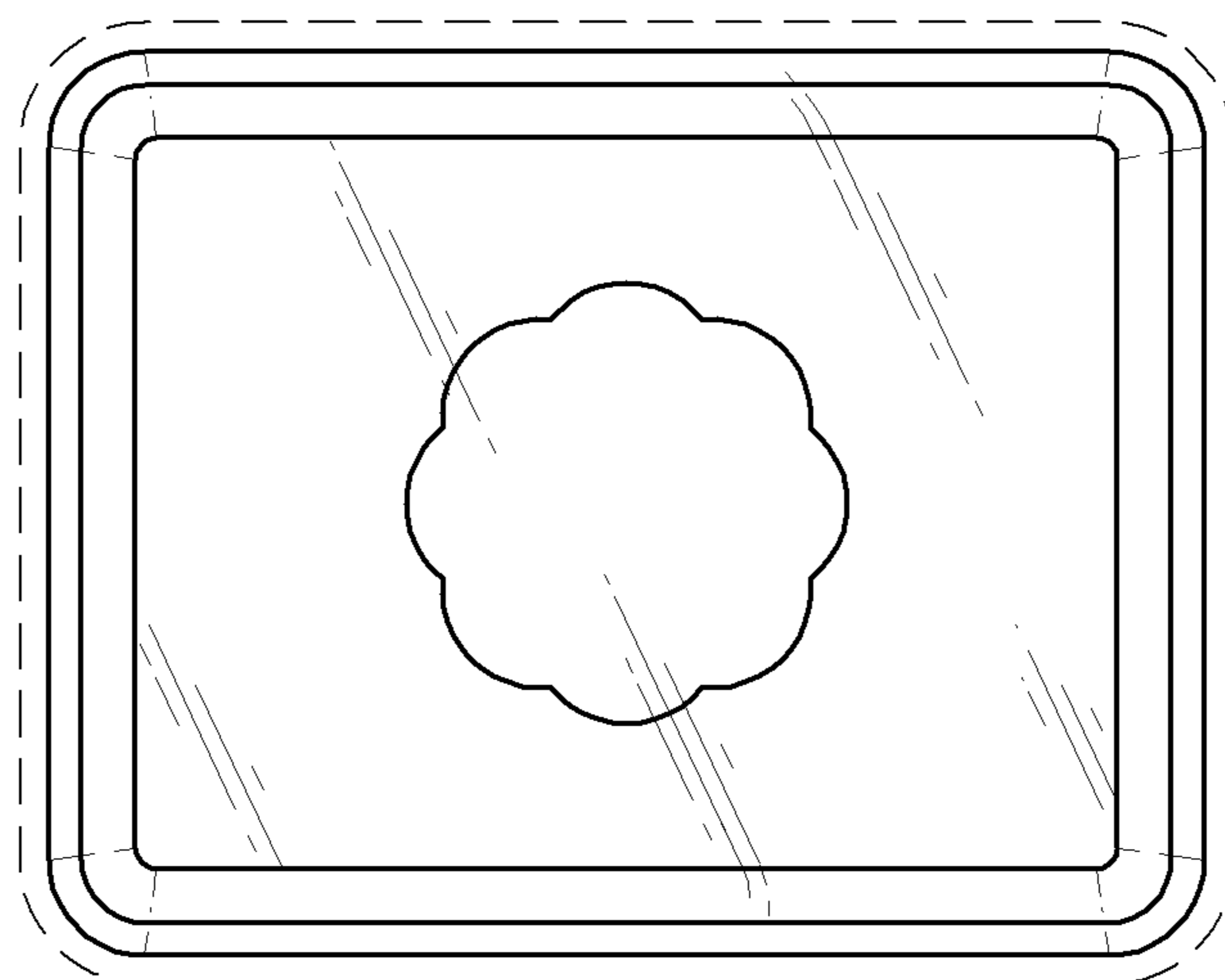
## FOREIGN PATENT DOCUMENTS

EM	001219224-0002	6/2010
EM	001219224-0003	6/2010
EM	001219224-0004	6/2010
EM	001219224-0005	6/2010
EM	001219224-0006	6/2010
EM	001219224-0007	6/2010
EM	001219224-0008	6/2010
EM	001219224-00010	6/2010
EM	001219224-00011	6/2010
EM	001219224-00012	6/2010
EM	001219224-00013	6/2010
EM	001219224-00014	6/2010
EM	001219224-00015	6/2010

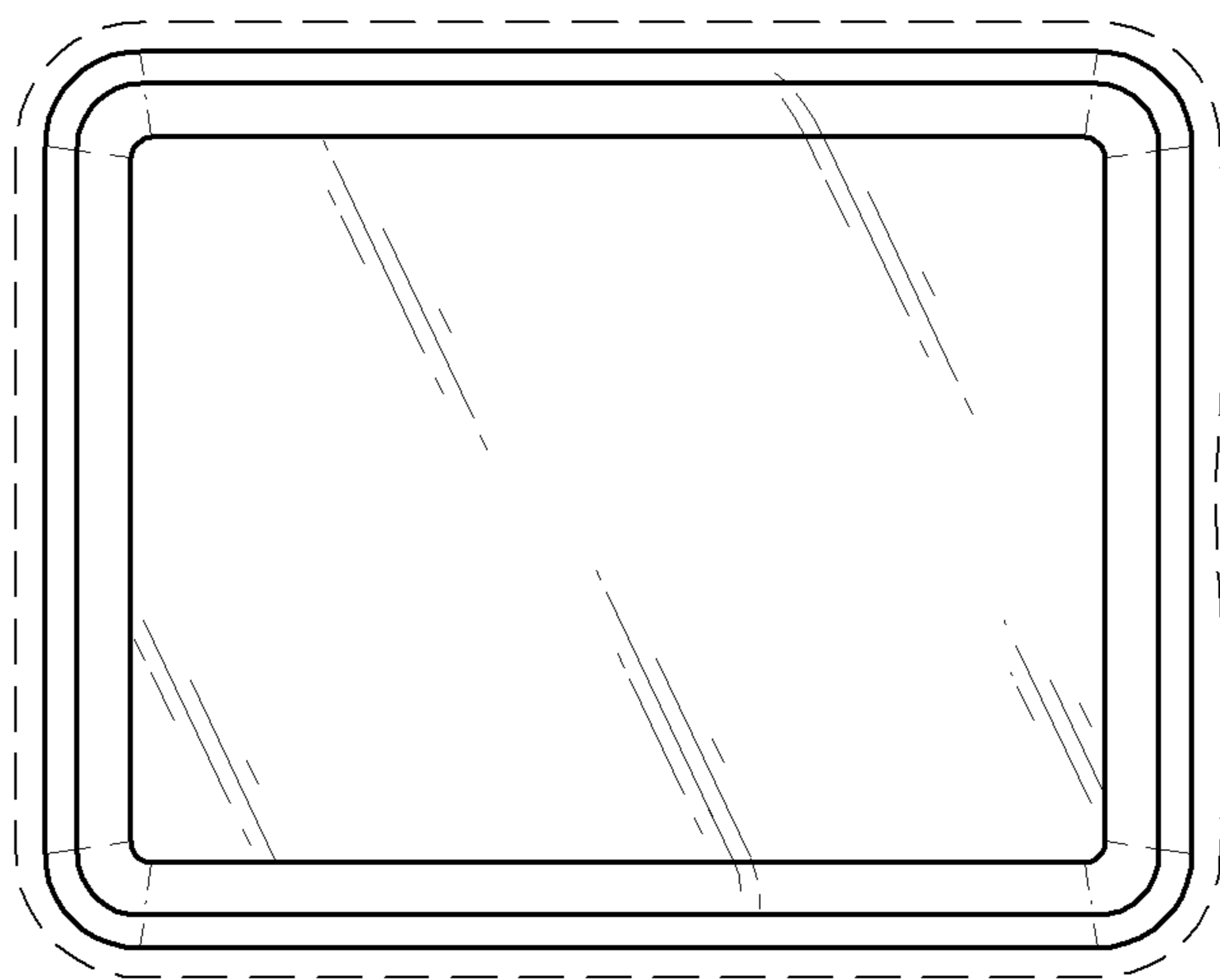
\* cited by examiner



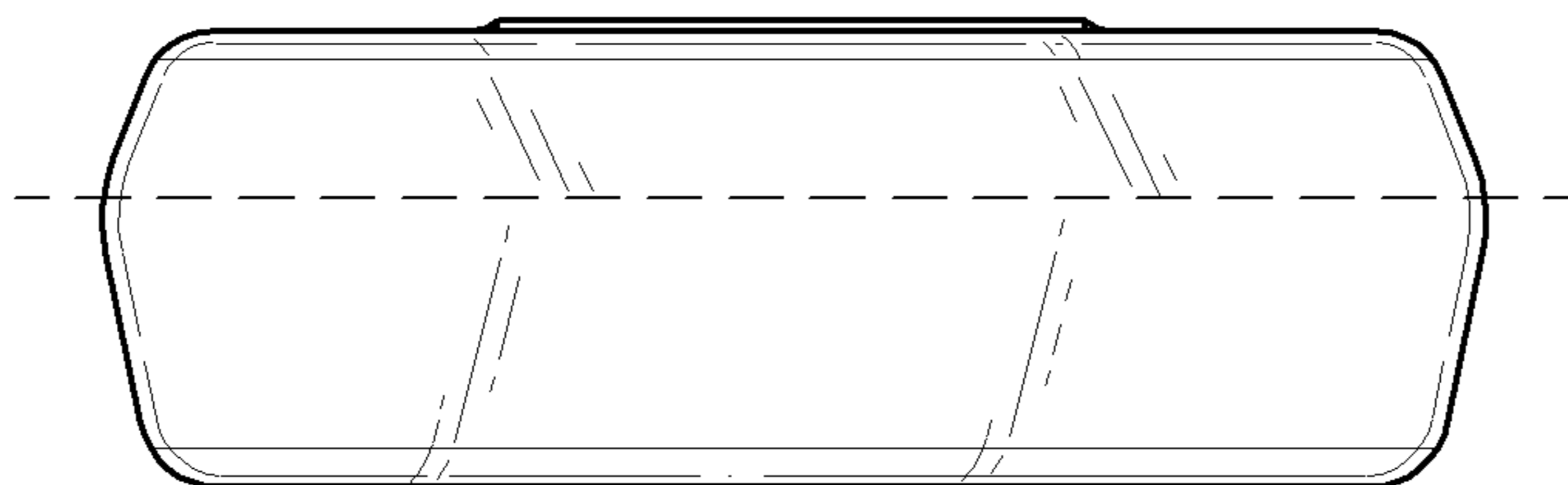
*FIG. 1*



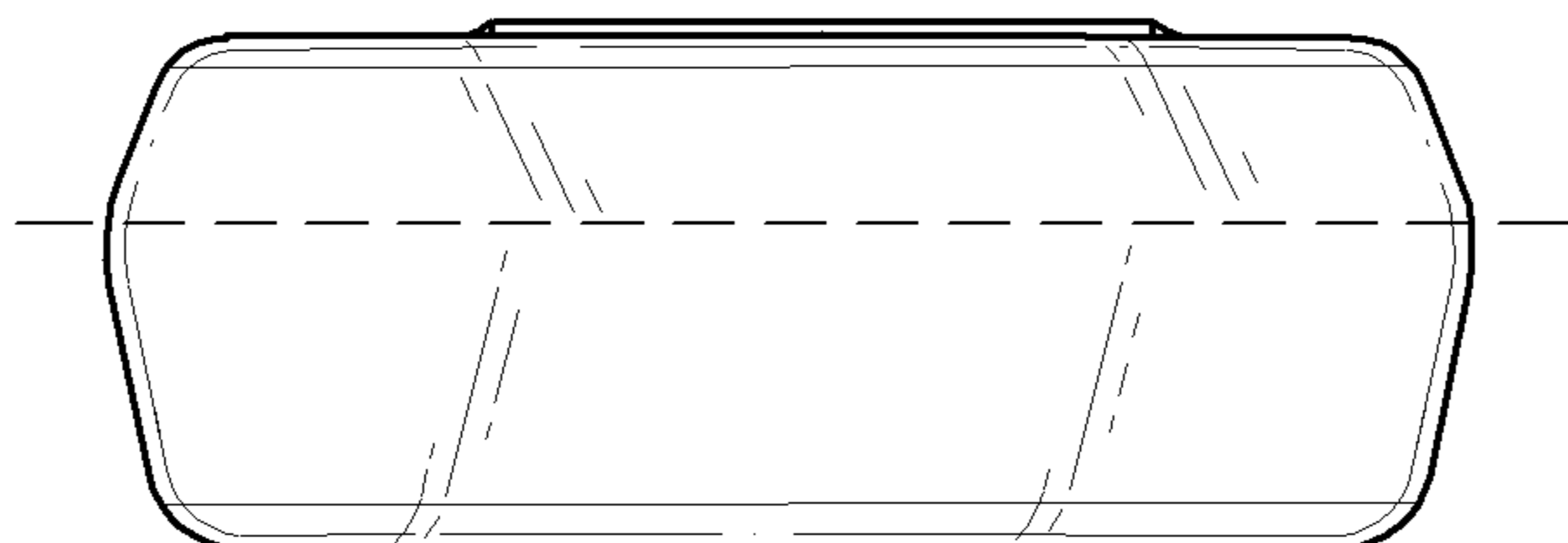
*FIG. 2*



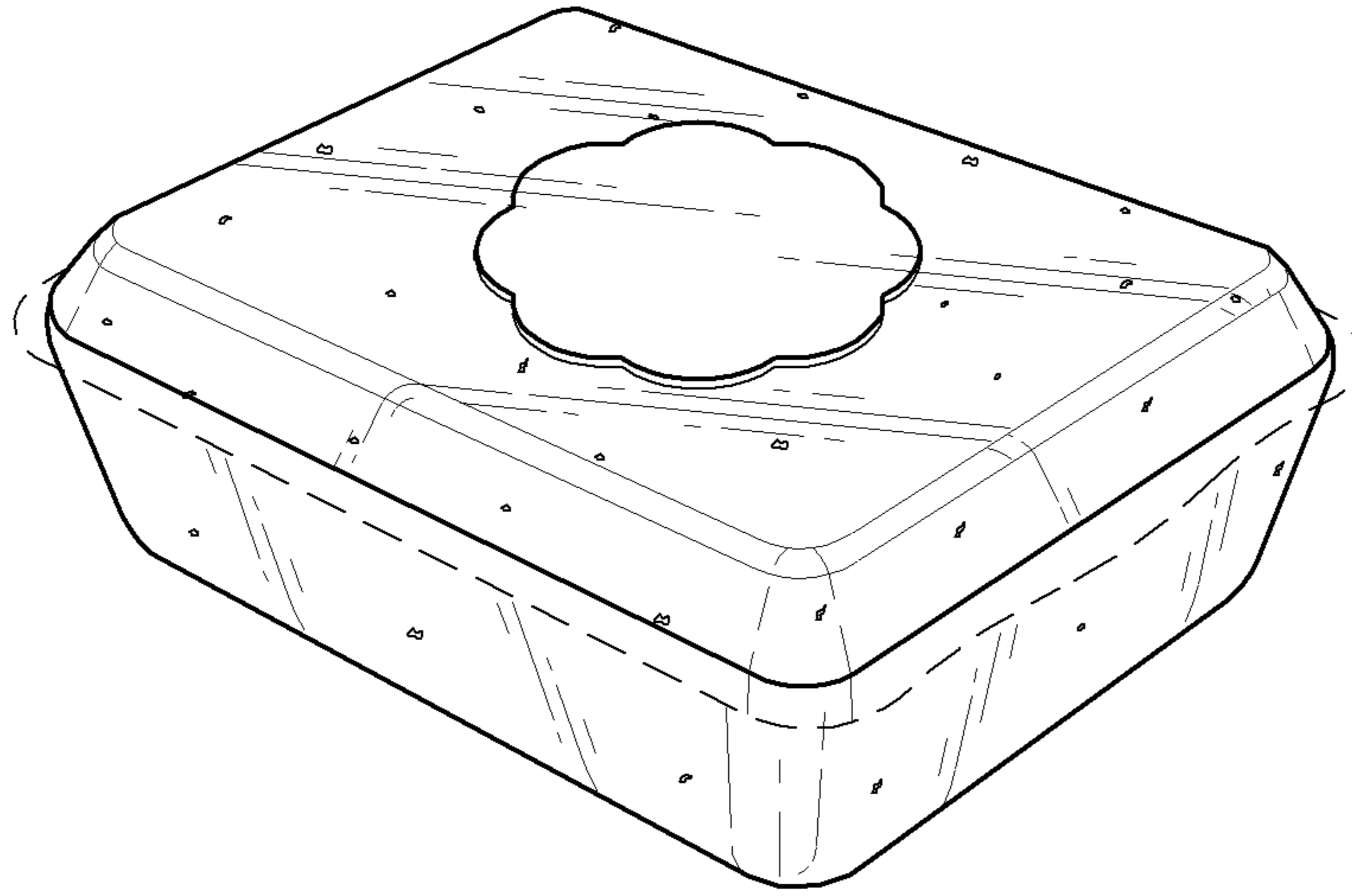
*FIG. 3*



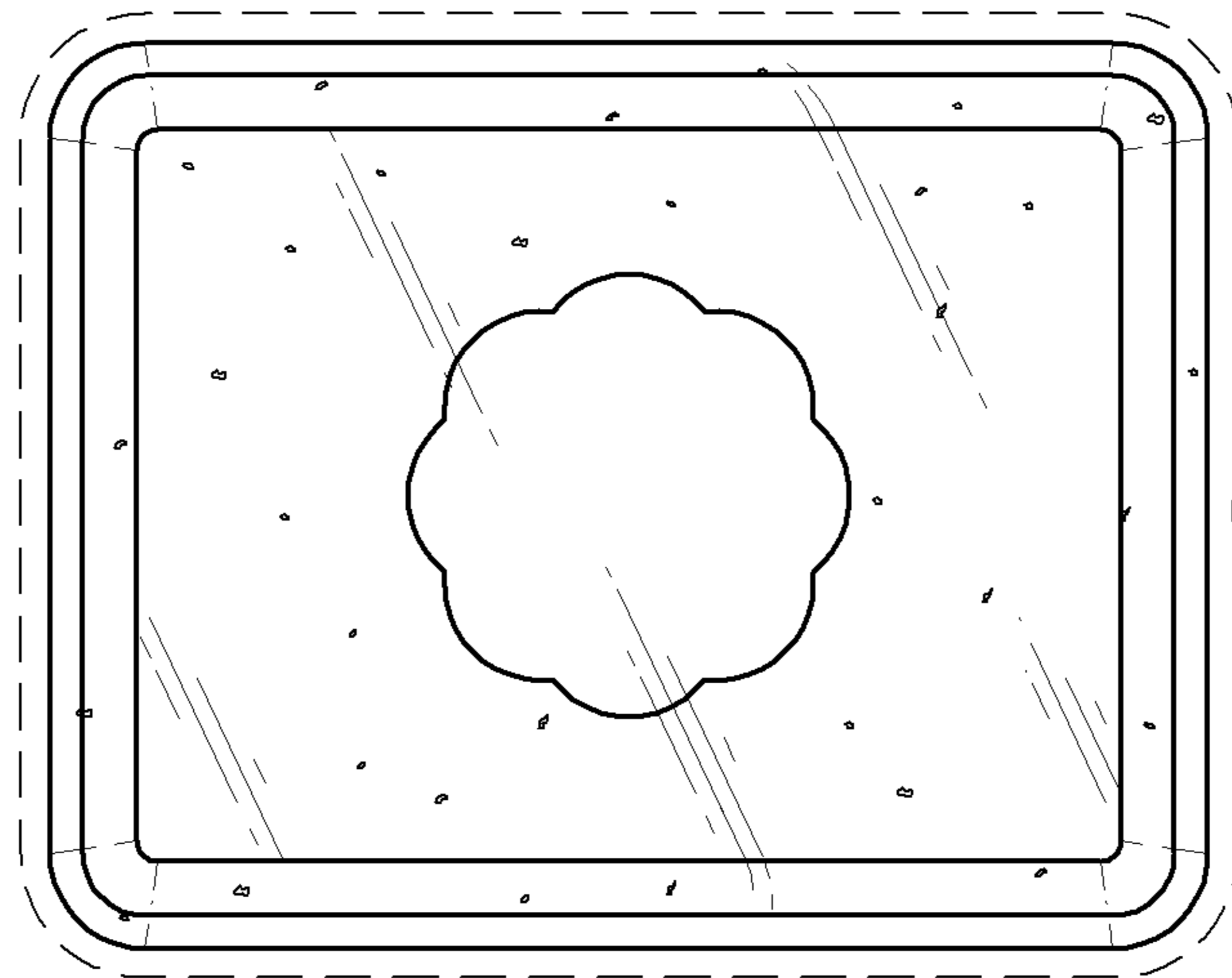
*FIG. 4*



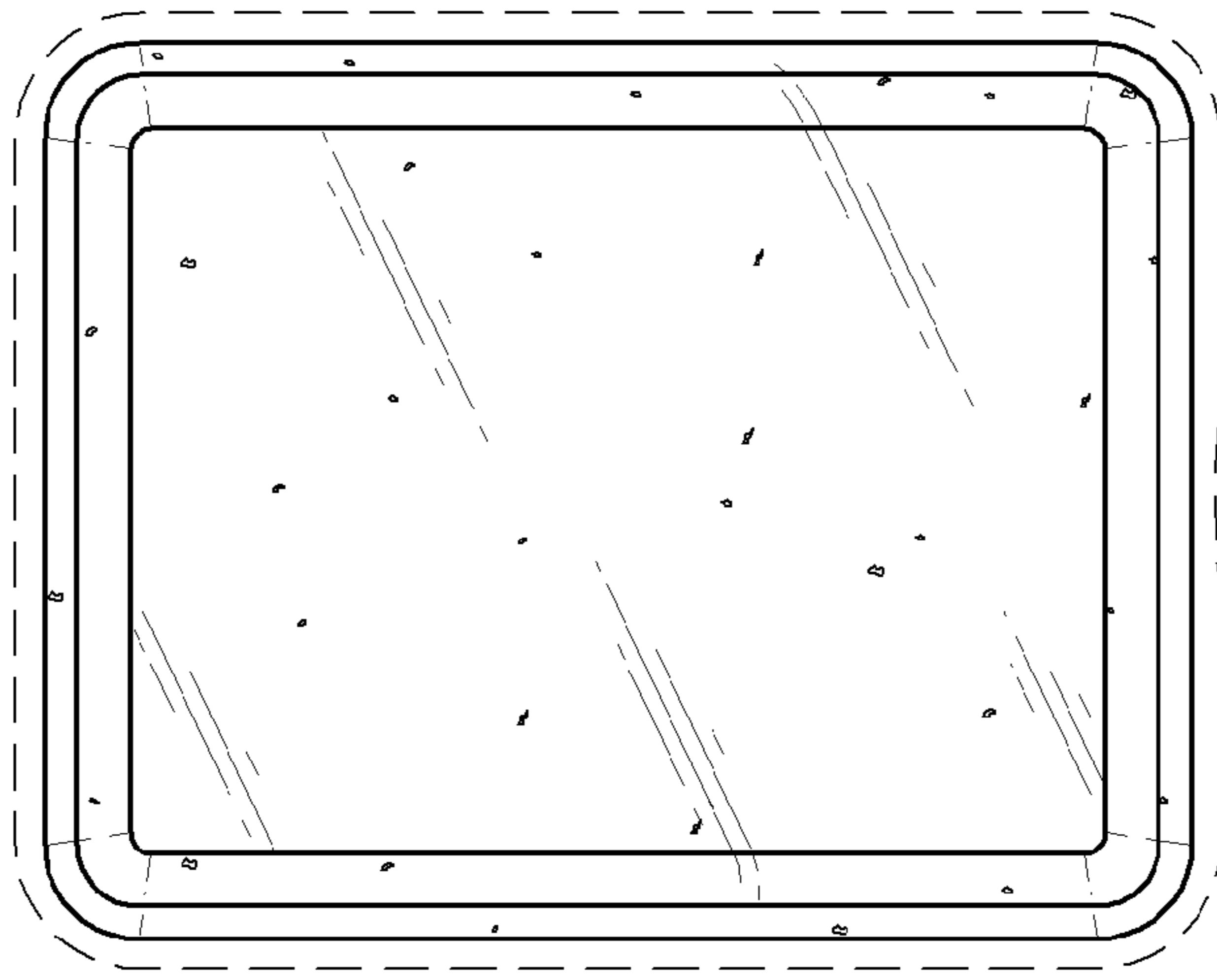
*FIG. 5*



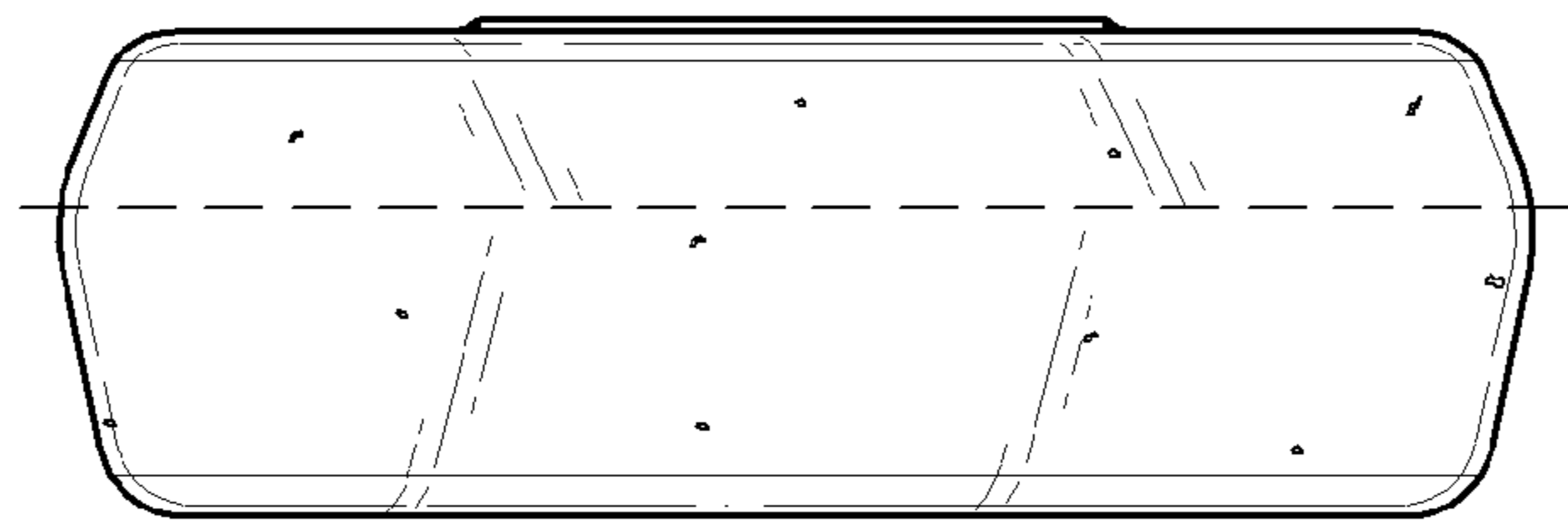
*FIG. 6*



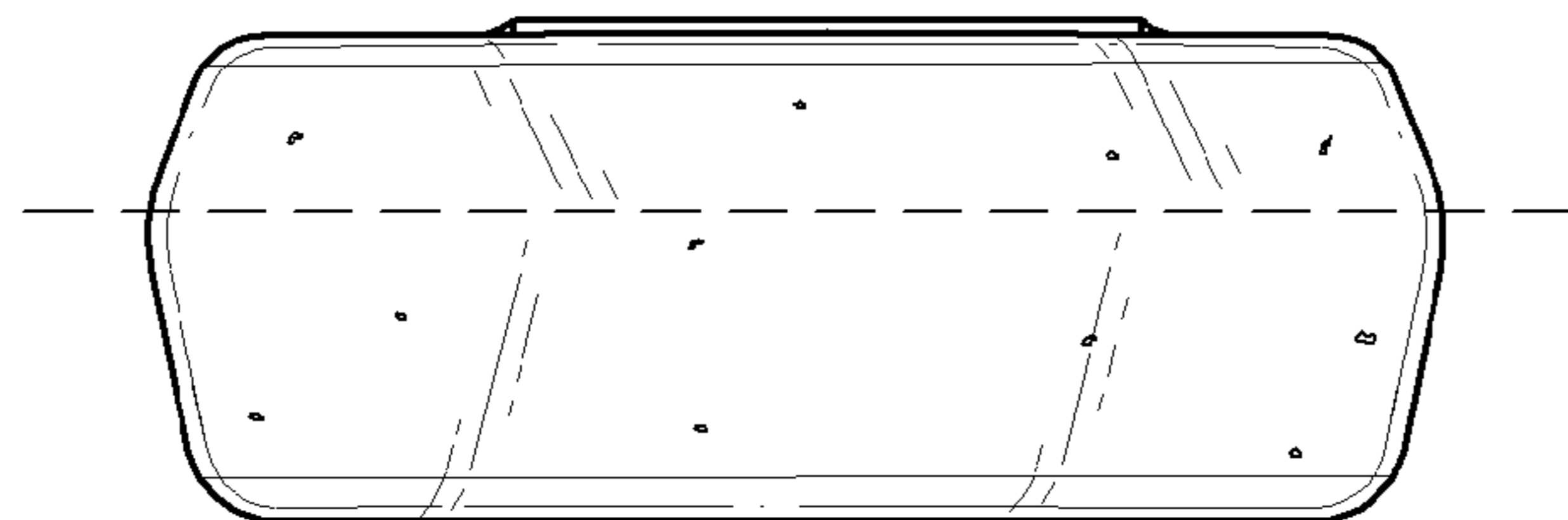
*FIG. 7*



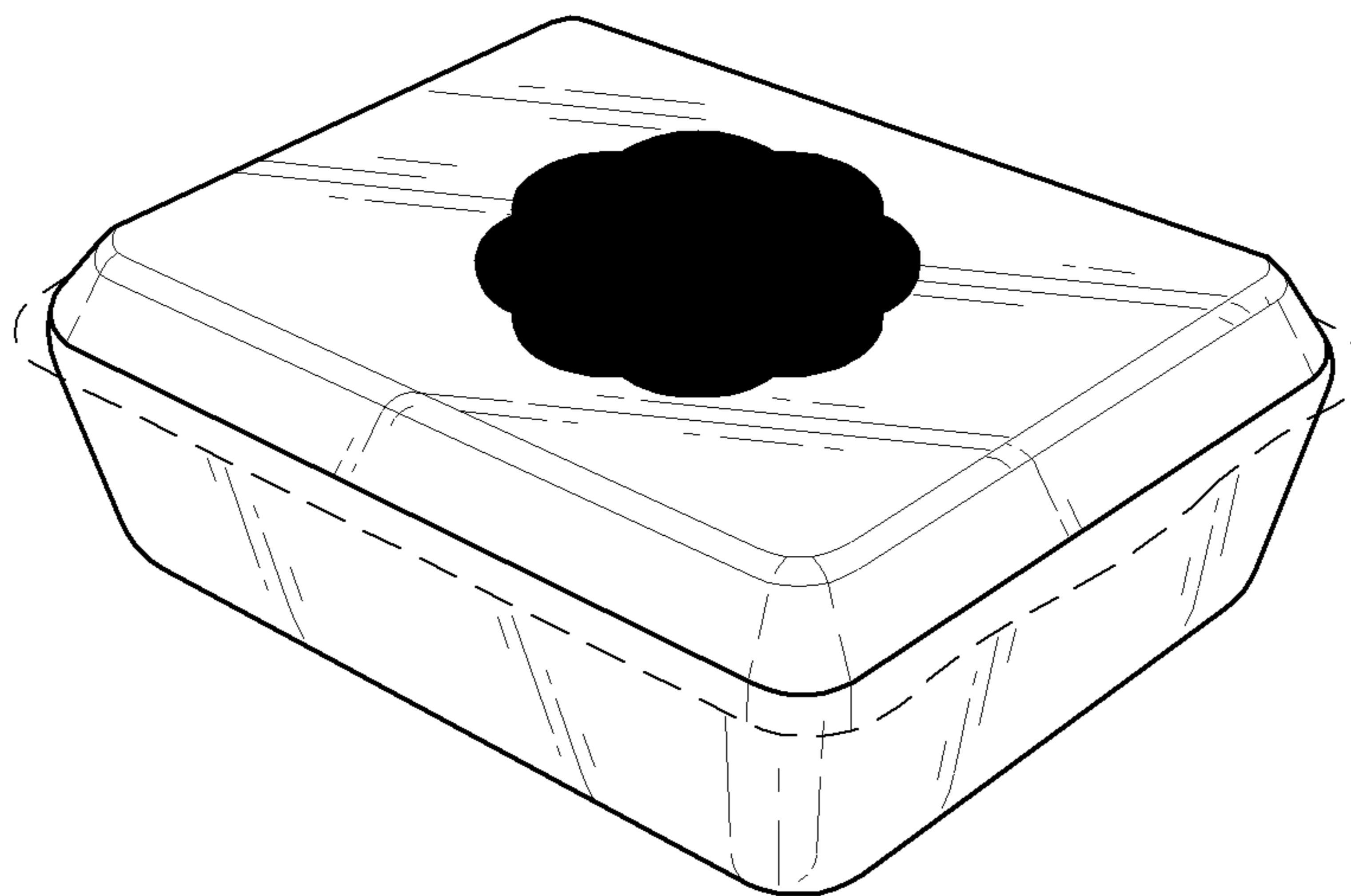
*FIG. 8*



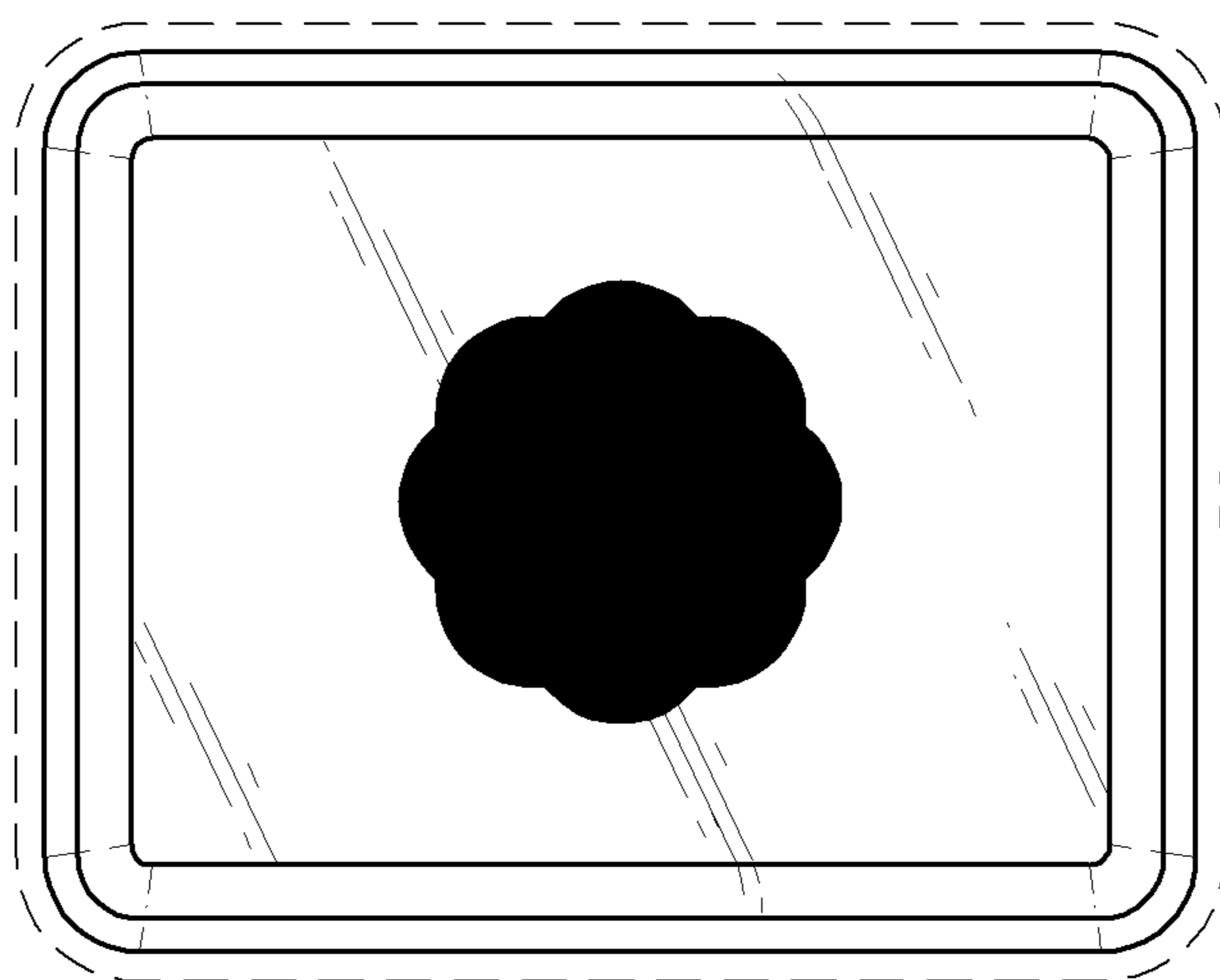
*FIG. 9*



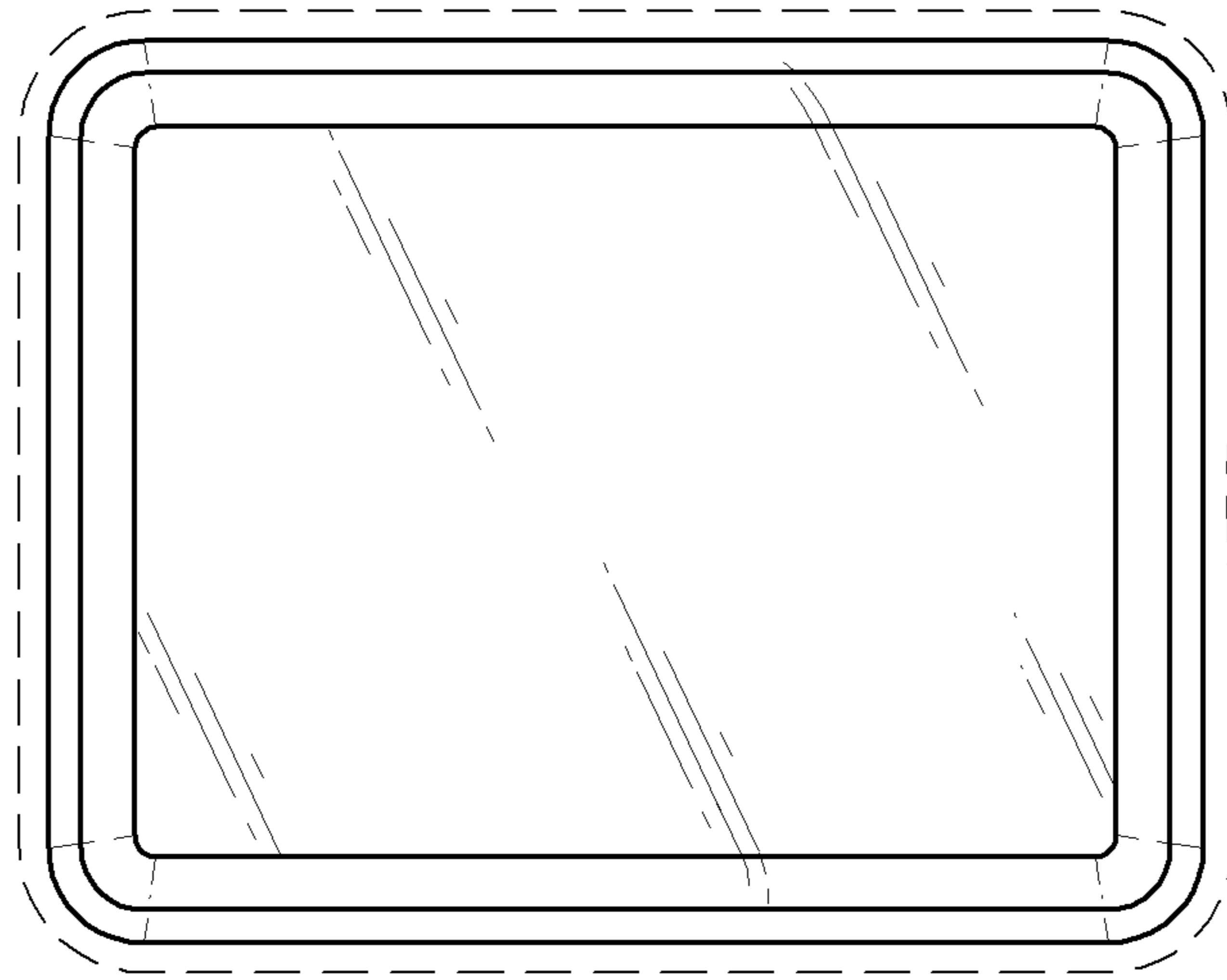
*FIG. 10*



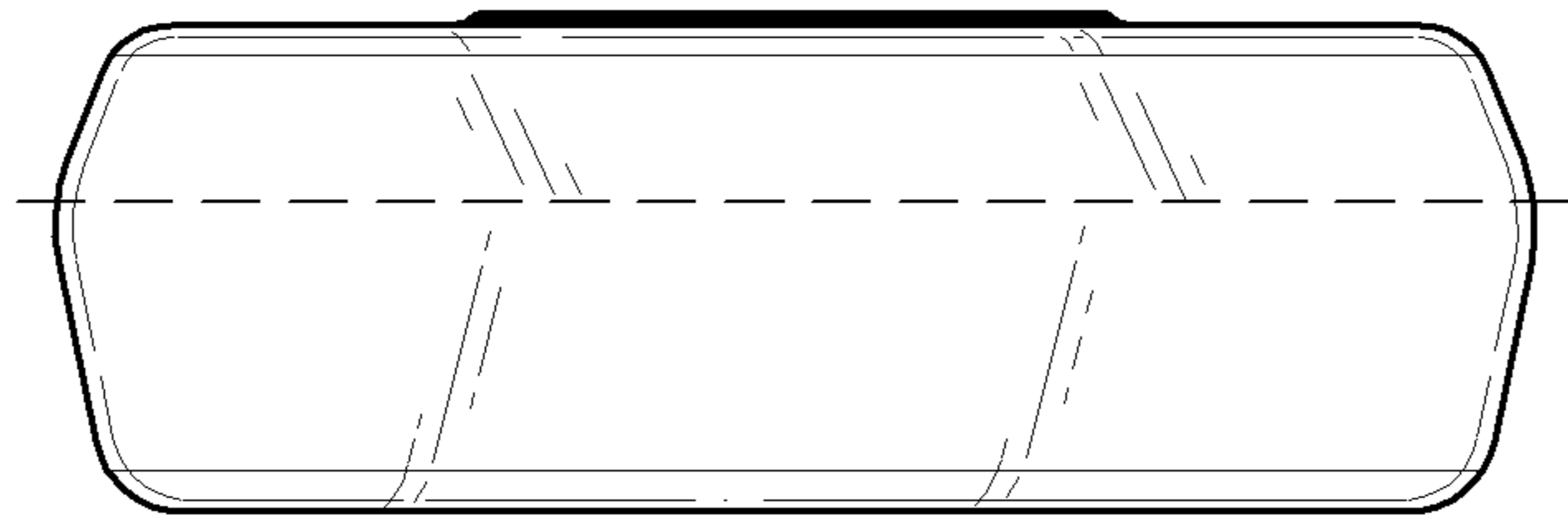
*FIG. 11*



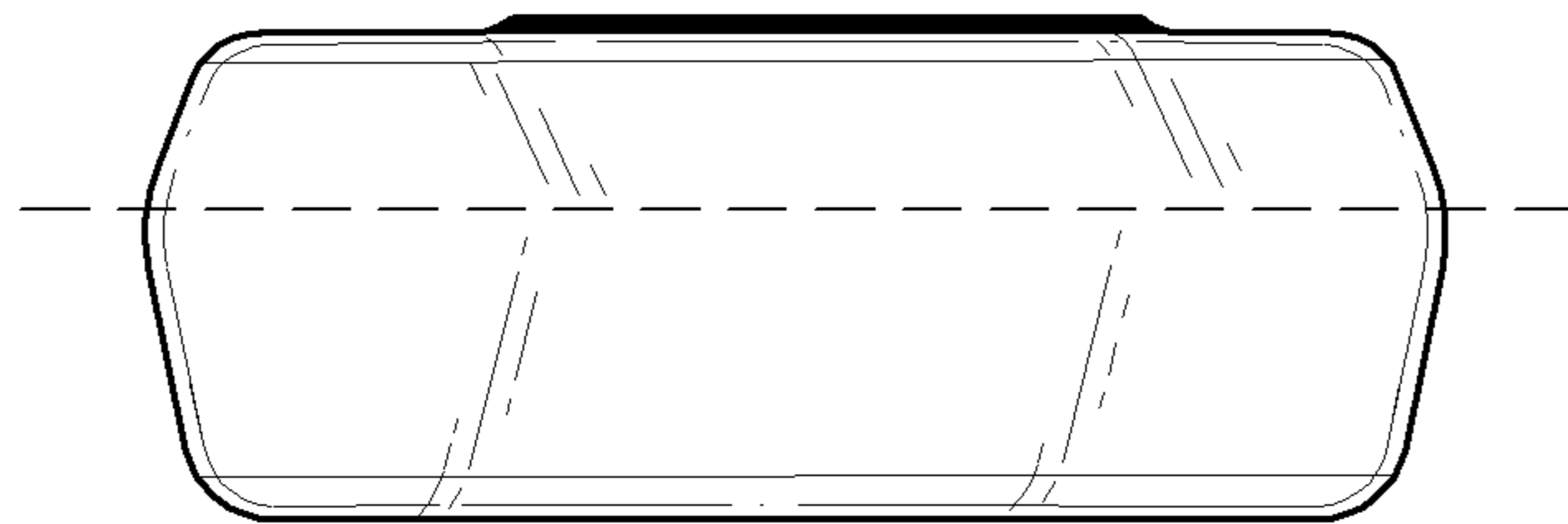
*FIG. 12*



*FIG. 13*



*FIG. 14*



*FIG. 15*