



US00D687181S

(12) **United States Design Patent**
Goch

(10) **Patent No.:** **US D687,181 S**
(45) **Date of Patent:** **** Jul. 30, 2013**

(54) **ELECTRONIC SMOKING DEVICE**

(71) Applicant: **XEO Int. Ltd.**, Berlin (DE)

(72) Inventor: **Markus Goch**, Hannover (DE)

(73) Assignee: **XEO Int. Ltd.**, Berlin (DE)

(**) Term: **14 Years**

(21) Appl. No.: **29/444,108**

(22) Filed: **Jan. 25, 2013**

(51) **LOC (9) Cl.** **27-01**

(52) **U.S. Cl.**
USPC **D27/101**

(58) **Field of Classification Search**
USPC D27/103–105, 108, 125, 172, 174–176,
D27/183, 186–192, 194, 100, 101, 170,
D27/163–165, 184, 185; D34/2; 206/242–276;
D3/11, 215, 220, 226–230, 265, 266; 4/258,
4/259, 267, 271, 283; 131/270–273, 329,
131/330, 194, 189, 347, 360–365; D24/110,
D24/113; D19/77, 81, 84; D28/73–77, 83,
D28/85

See application file for complete search history.

(56) **References Cited**

U.S. PATENT DOCUMENTS

D108,336	S	*	2/1938	Lykos et al.	D27/170
D590,990	S	*	4/2009	Hon	D27/101
D590,991	S	*	4/2009	Hon	D27/101
D644,375	S	*	8/2011	Zhou	D27/101
D653,803	S	*	2/2012	Timmermans	D27/163
D657,046	S	*	4/2012	Terry et al.	D24/110
D657,047	S	*	4/2012	Minskoff et al.	D24/110
8,375,957	B2	*	2/2013	Hon	131/194
2010/0031968	A1	*	2/2010	Sheikh et al.	131/347
2012/0260926	A1	*	10/2012	Tu et al.	131/329
2013/0068239	A1	*	3/2013	Youn	131/273

* cited by examiner

Primary Examiner — Susan Bennett Hattan

Assistant Examiner — Janice Hallmark

(74) *Attorney, Agent, or Firm* — Mark Terry

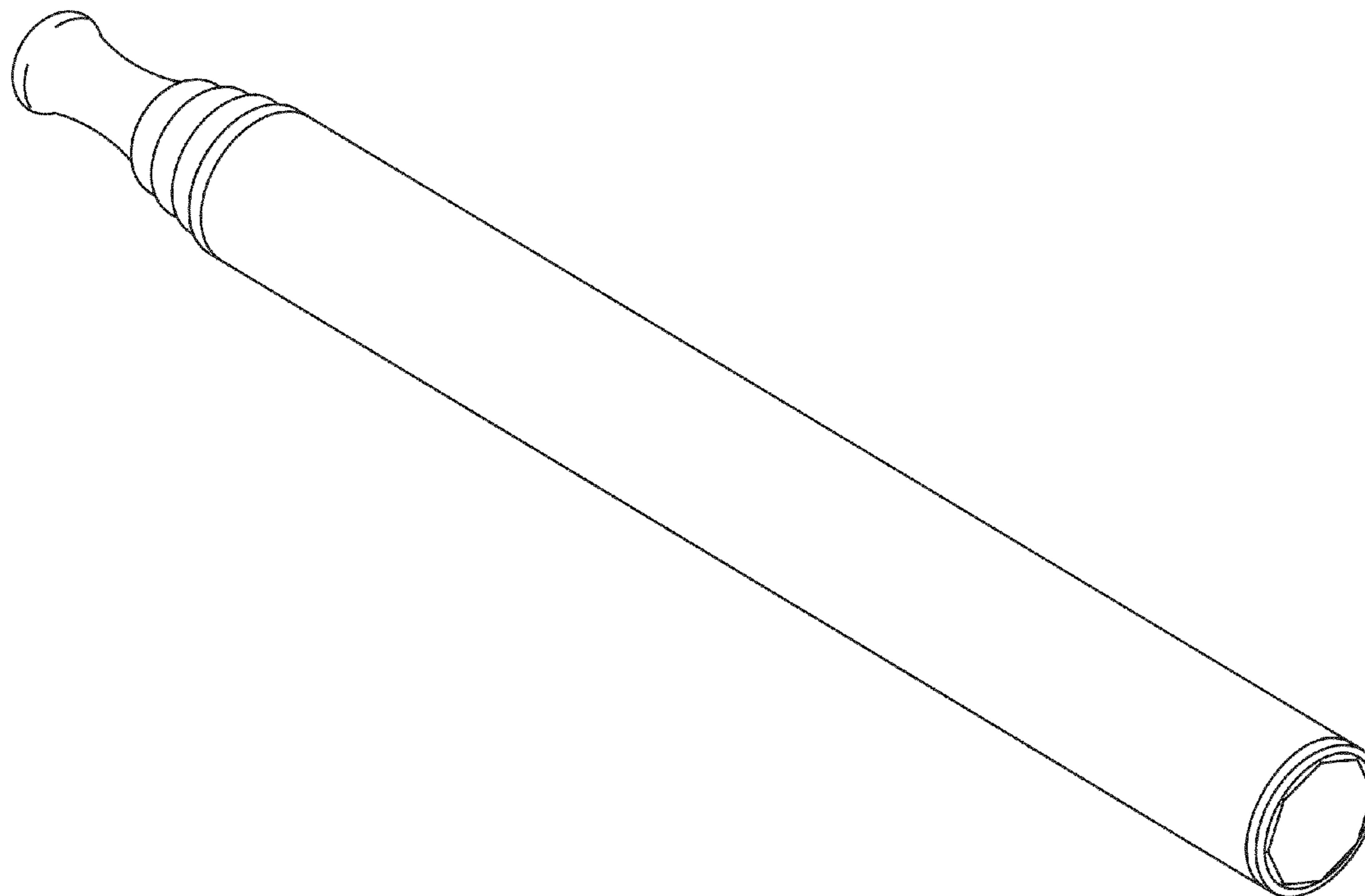
(57) **CLAIM**

The ornamental design for an electronic smoking device, as shown and described.

DESCRIPTION

FIG. 1 is a front perspective view of the electronic smoking device, showing the new design;
FIG. 2 is a side view thereof;
FIG. 3 is a rear perspective view thereof;
FIG. 4 is a rear view thereof; and,
FIG. 5 is a front view thereof.

1 Claim, 2 Drawing Sheets



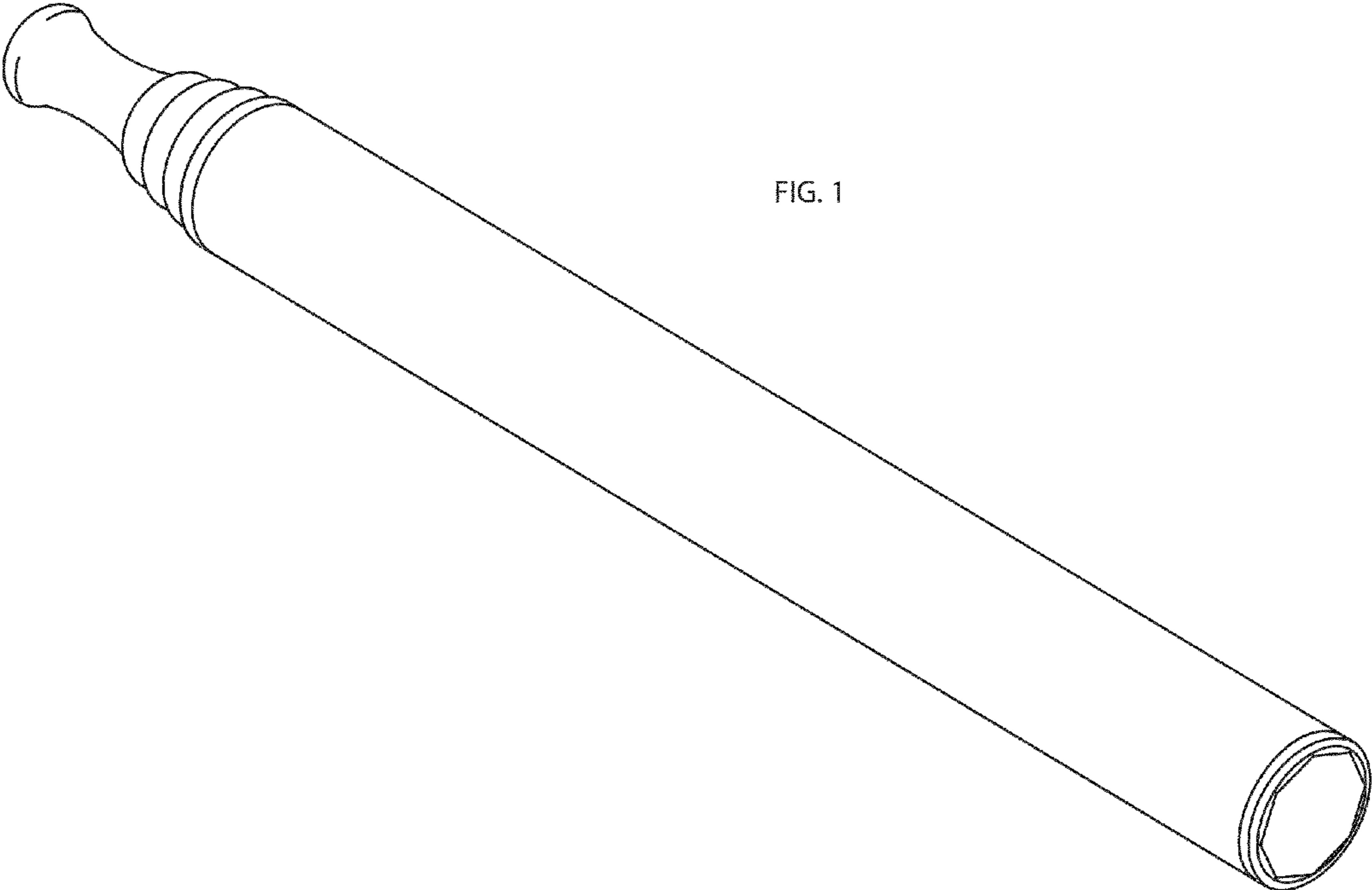


FIG. 1

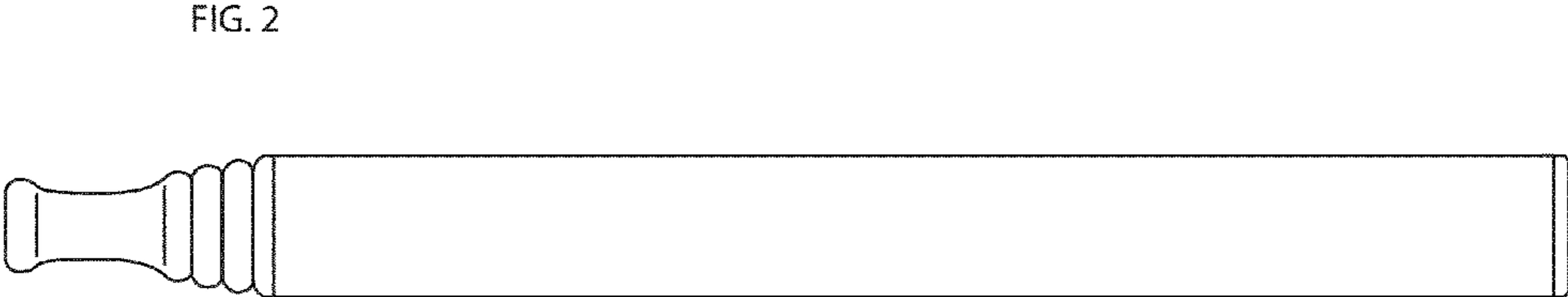


FIG. 2

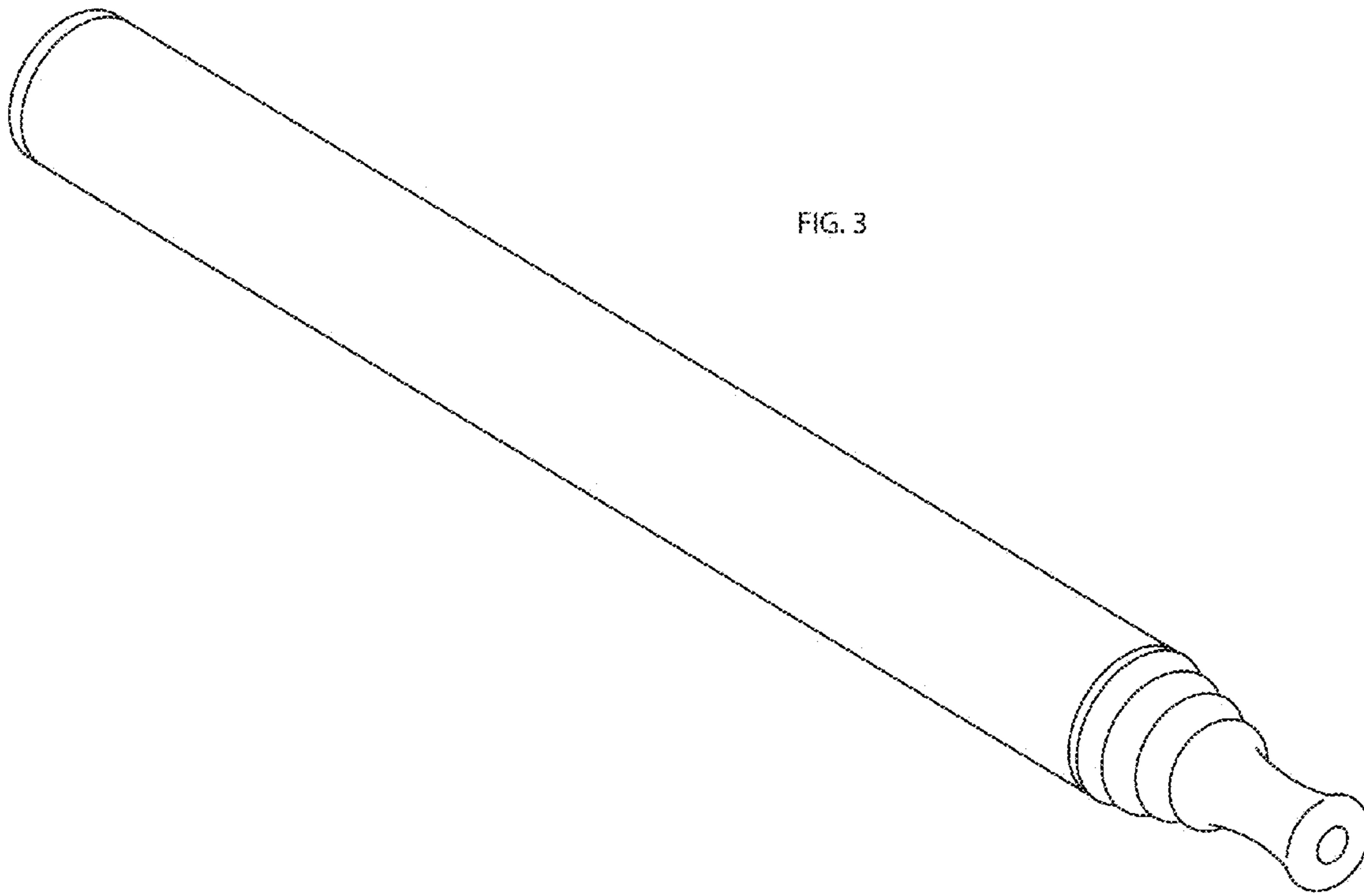


FIG. 3

FIG. 4

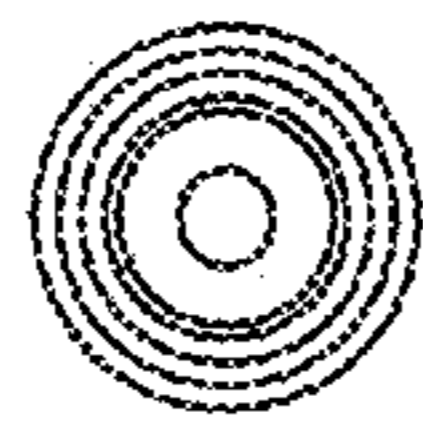


FIG. 5

