



US00D687180S

(12) **United States Design Patent**
Chen

(10) **Patent No.:** **US D687,180 S**

(45) **Date of Patent:** **** Jul. 30, 2013**

(54) **LIGHT FIXTURE**

(71) Applicant: **Chi Gon Chen**, Guang Zhou (CN)

(72) Inventor: **Chi Gon Chen**, Guang Zhou (CN)

(73) Assignee: **International Development LLC**,
Roanoke, TX (US)

(**) Term: **14 Years**

(21) Appl. No.: **29/443,025**

(22) Filed: **Jan. 11, 2013**

(51) **LOC (9) Cl.** **26-99**

(52) **U.S. Cl.**
USPC **D26/118**

(58) **Field of Classification Search**
USPC D26/154, 155, 152, 142, 151, 153,
D26/113, 119, 122, 123, 124, 138, 139, 145,
D26/148, 146, 147, 121, 125, 126, 74, 75,
D26/144, 150, 141, 118, 120, 128, 129, 132,
D26/135, 71, 72, 85, 62, 65, 64, 24, 1, 2,
D26/66, 67, 68, 73, 89, 86, 87, 88, 25, 26,
D26/61, 63, 69, 76, 77, 78, 79, 90, 91, 84,
D26/92, 49, 37, 38, 39; D13/179, 180, 171,
D13/173; D11/90, 121, 89; 63/32; 362/253,
362/257, 333, 326, 169, 187, 307, 327, 308,
362/309, 362, 337, 208, 158; 16/442; 359/708,
359/641, 726; D6/581; D9/452, 435, 453,
D9/443

See application file for complete search history.

(56) **References Cited**

U.S. PATENT DOCUMENTS

D308,111 S *	5/1990	Banathy et al.	D26/68
D355,502 S *	2/1995	Liao	D26/67
D360,963 S *	8/1995	Czerlanis et al.	D26/67
D425,647 S *	5/2000	Leen	D26/71

D440,338 S *	4/2001	Austin	D26/63
D456,091 S *	4/2002	Rahn	D26/63
D471,658 S *	3/2003	Byggmaster	D26/28
D505,220 S *	5/2005	Stekelenburg	D26/61
D510,636 S *	10/2005	Yamamoto	D26/28
D550,878 S *	9/2007	Korpi	D26/63
D571,661 S *	6/2008	Ulibarri	D9/500
D572,856 S *	7/2008	Kehl et al.	D26/61
7,461,957 B2 *	12/2008	Thompson et al.	362/394
D587,833 S *	3/2009	Bina et al.	D26/63
D611,635 S *	3/2010	Gordin	D26/63
D642,719 S *	8/2011	Lindholm et al.	D26/63
D656,662 S *	3/2012	Lehman et al.	D26/118
D659,896 S *	5/2012	Gordin et al.	D26/118
D670,024 S *	10/2012	Green et al.	D26/128

* cited by examiner

Primary Examiner — Kevin Rudzinski

(74) *Attorney, Agent, or Firm* — Brian Harris

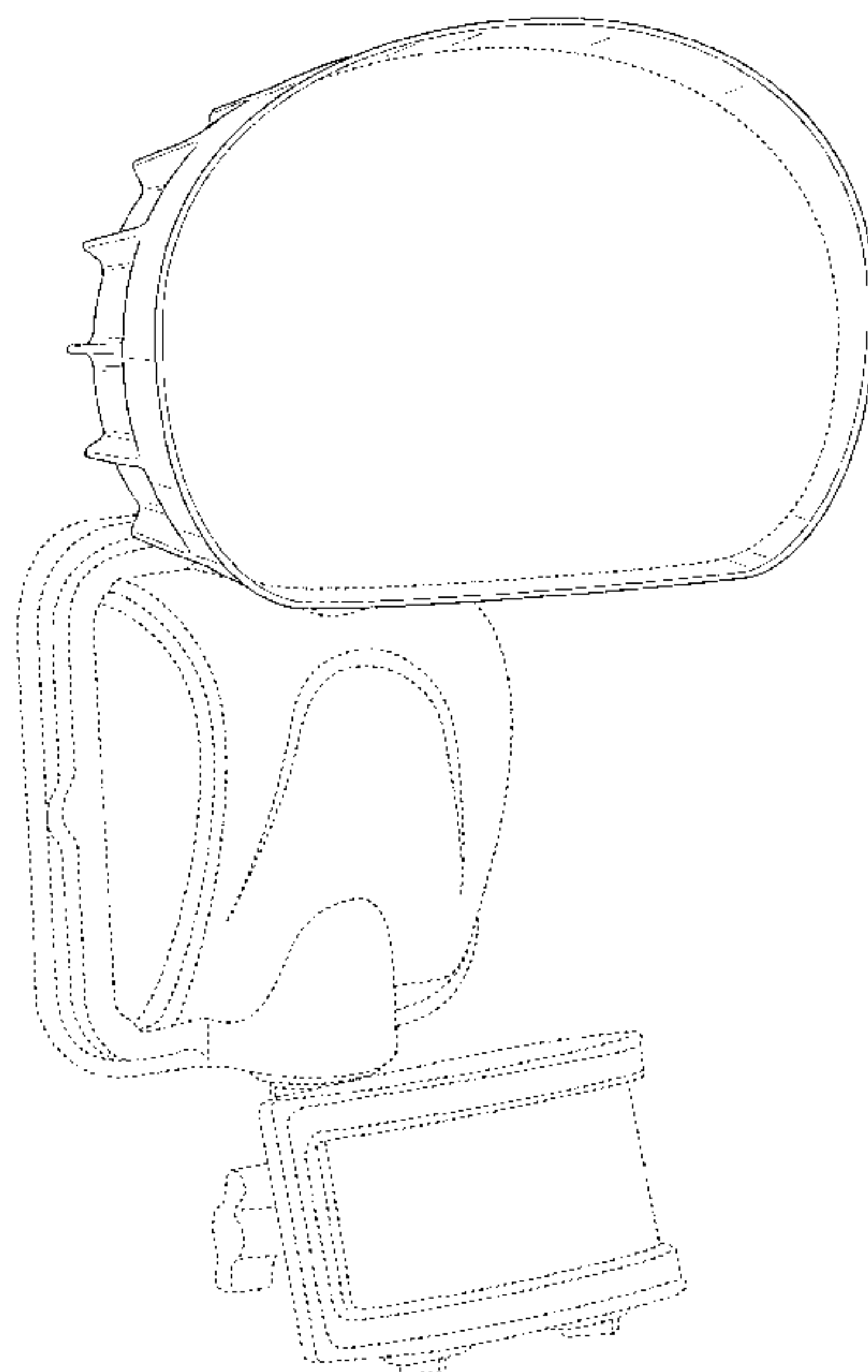
(57) **CLAIM**

The ornamental design for a light fixture, as shown and described.

DESCRIPTION

FIG. 1 is a front perspective view of a light fixture showing my new design;
 FIG. 2 is a front view thereof;
 FIG. 3 is a back view thereof;
 FIG. 4 is a left side view thereof;
 FIG. 5 is a right side view thereof;
 FIG. 6 is a top view thereof;
 FIG. 7 is a bottom view thereof;
 FIG. 8 is a back view of the light head portion thereof from the position indicated by lines 8-8 in FIG. 5; and,
 FIG. 9 is a bottom view of the light head portion thereof from the position indicated by lines 9-9 in FIG. 5.
 The broken lines shown in the Figures form no part of the claimed design.

1 Claim, 7 Drawing Sheets



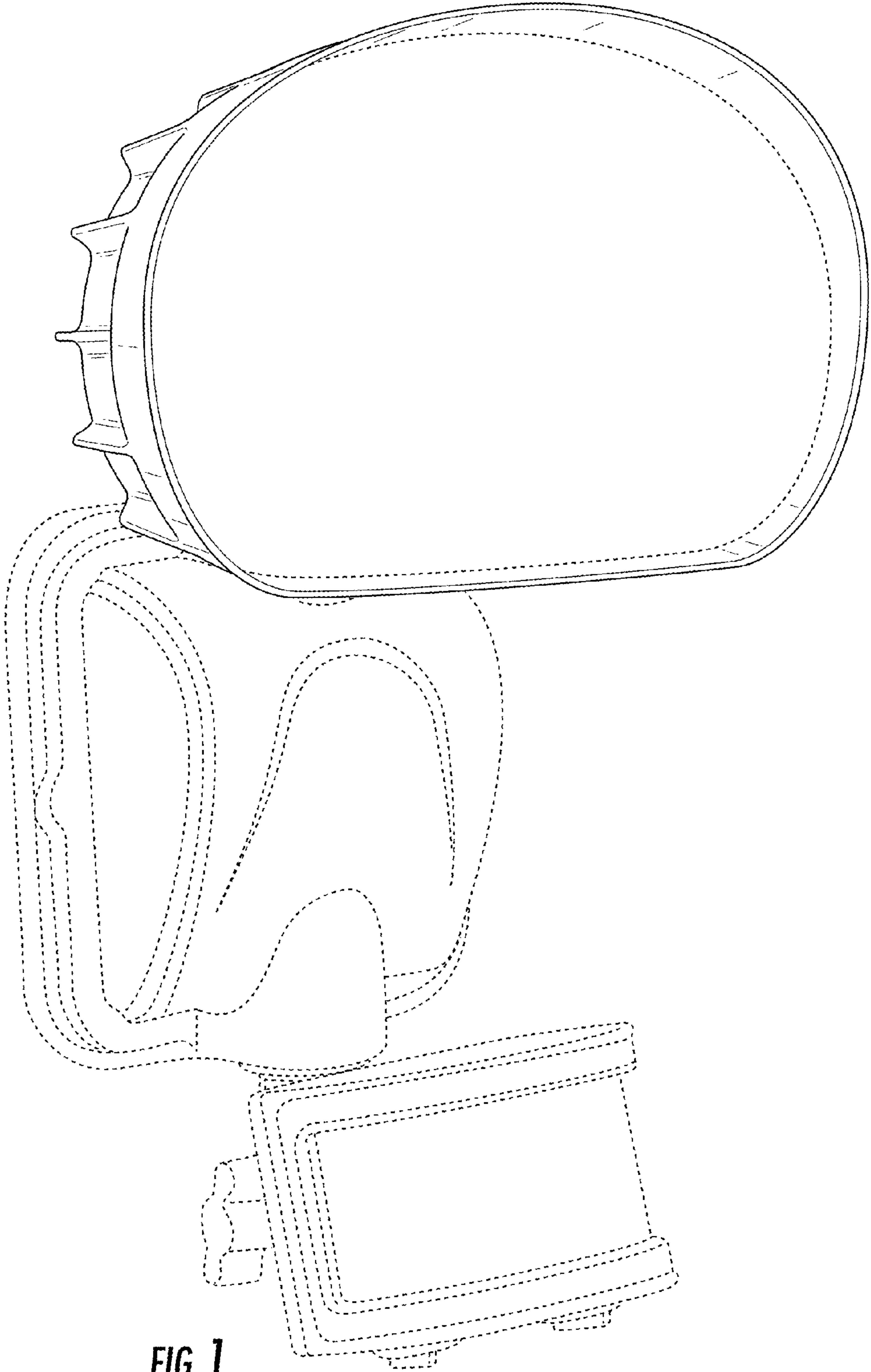


FIG. 1

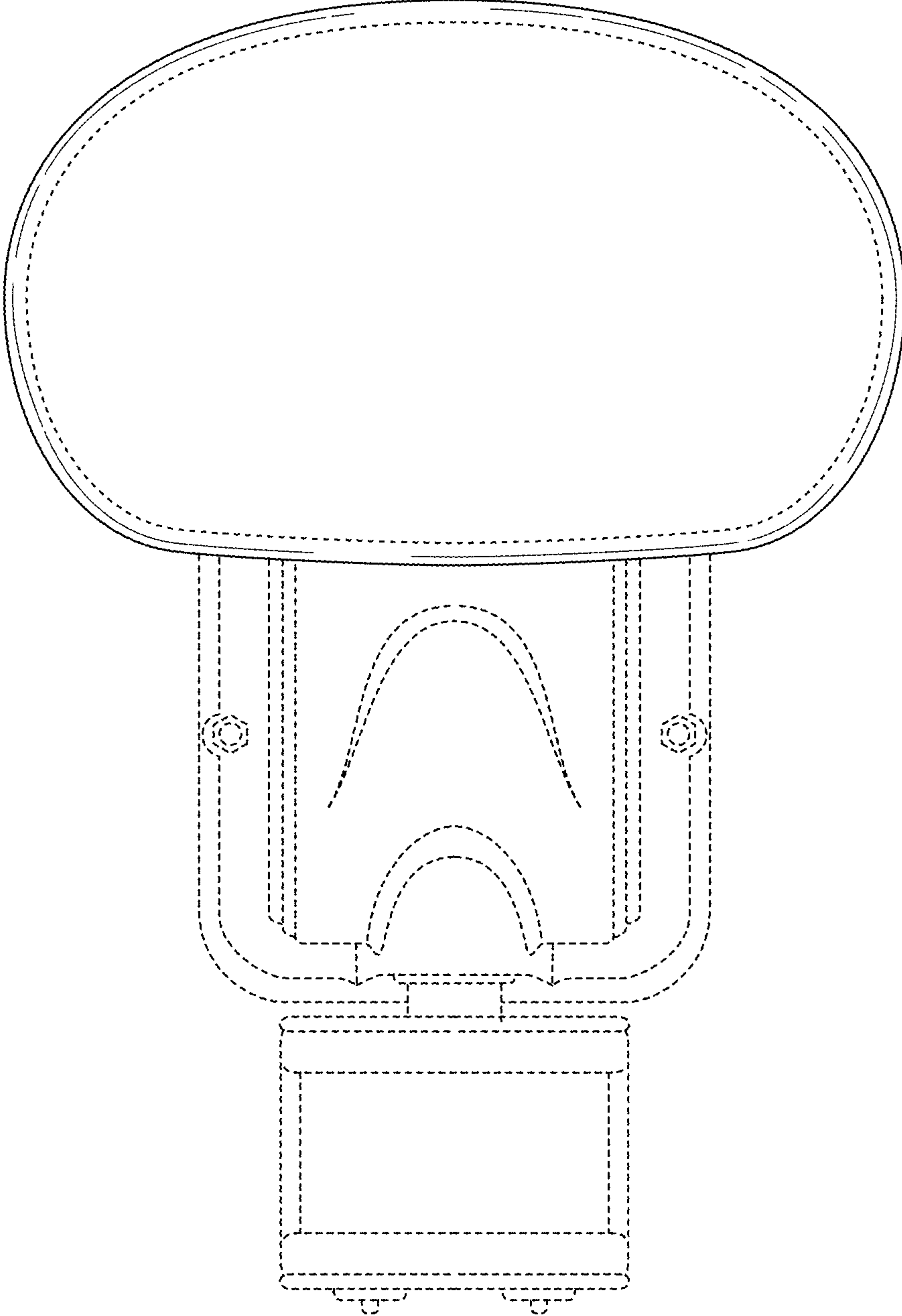


FIG. 2

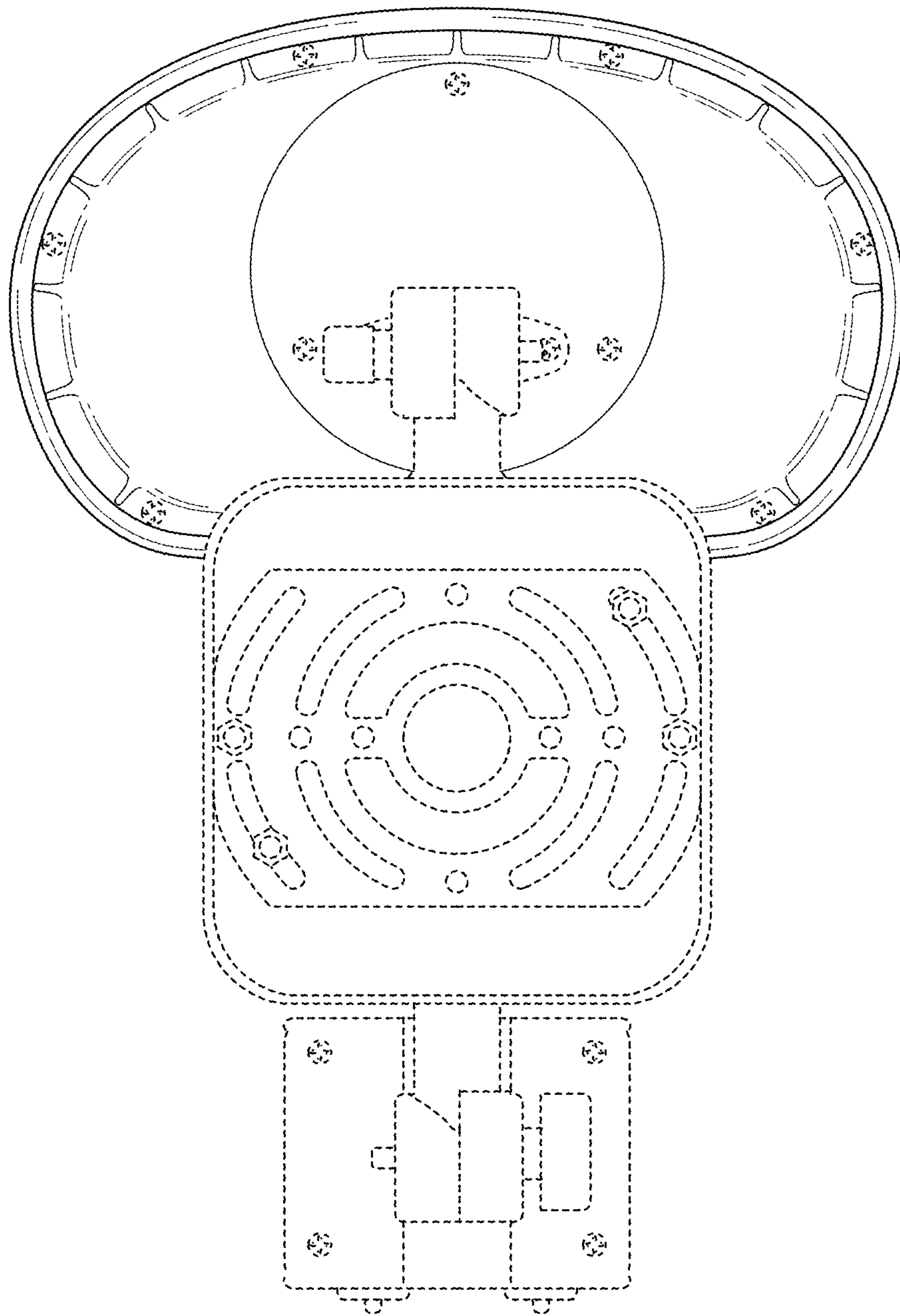


FIG. 3

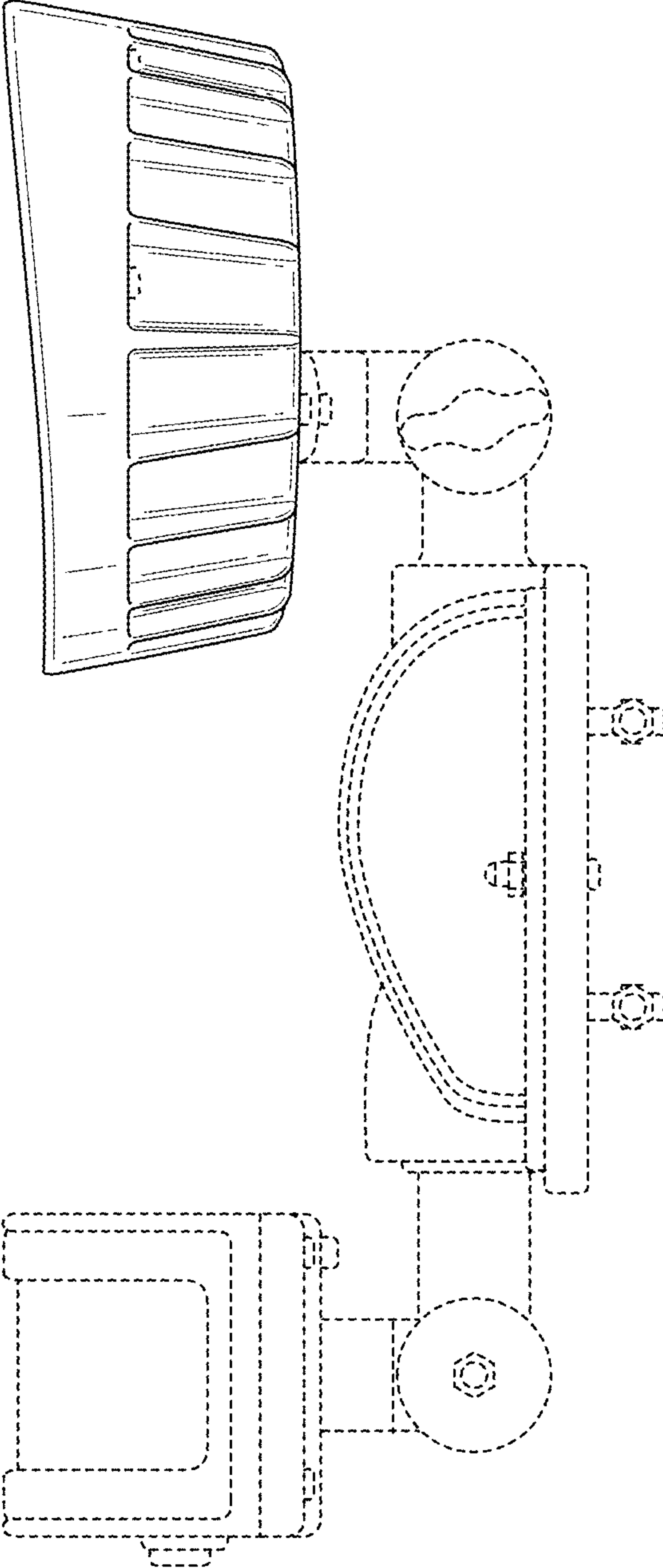


FIG. 4

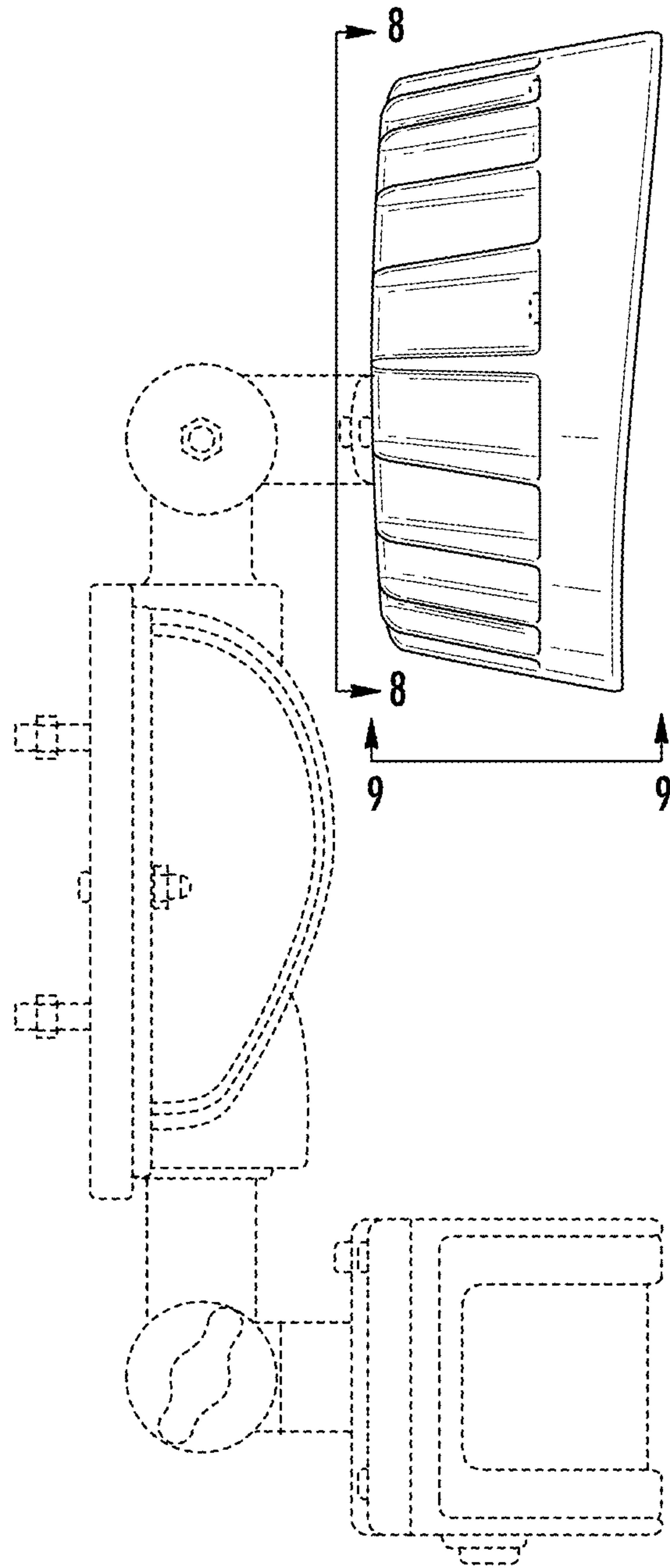


FIG. 5

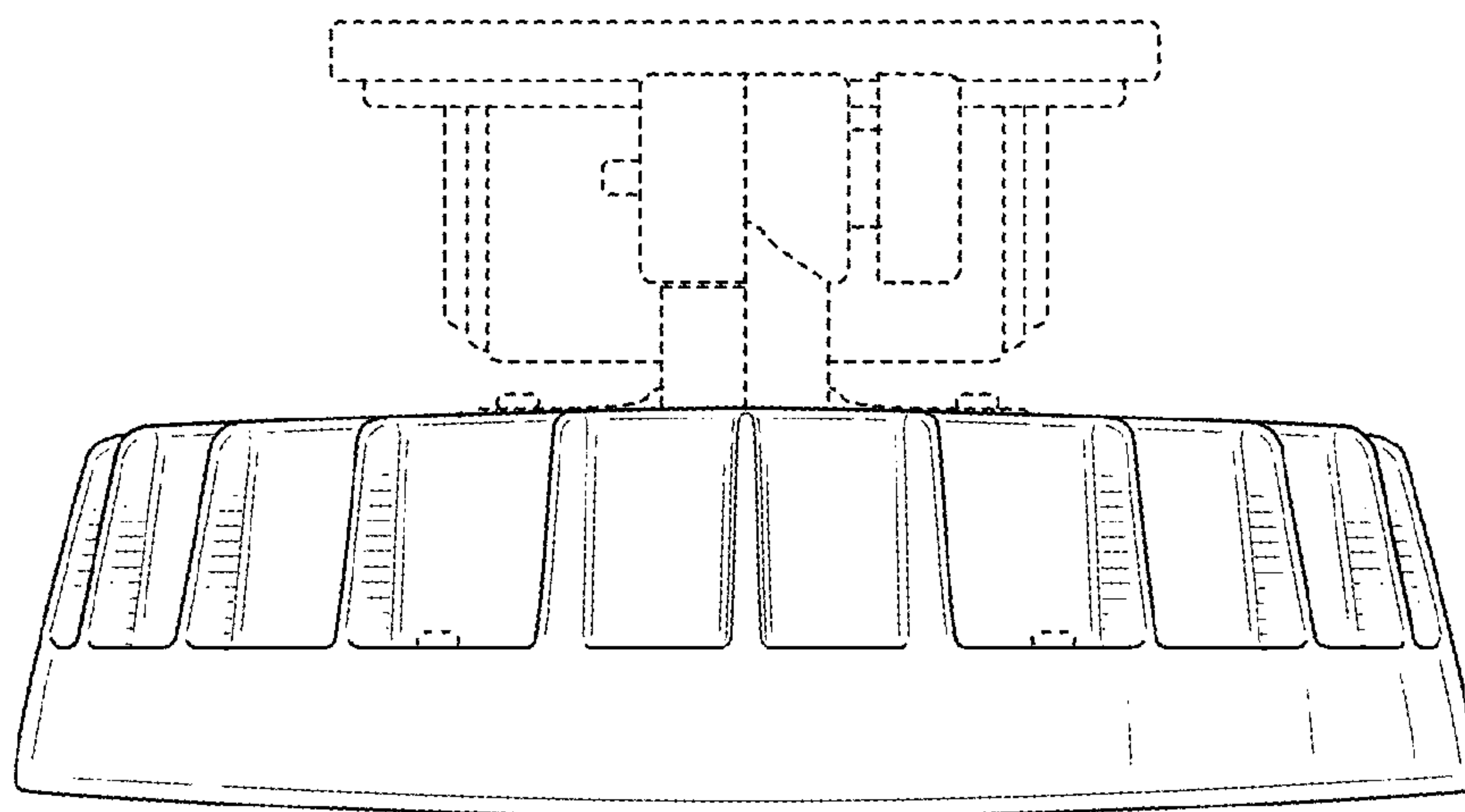


FIG. 6

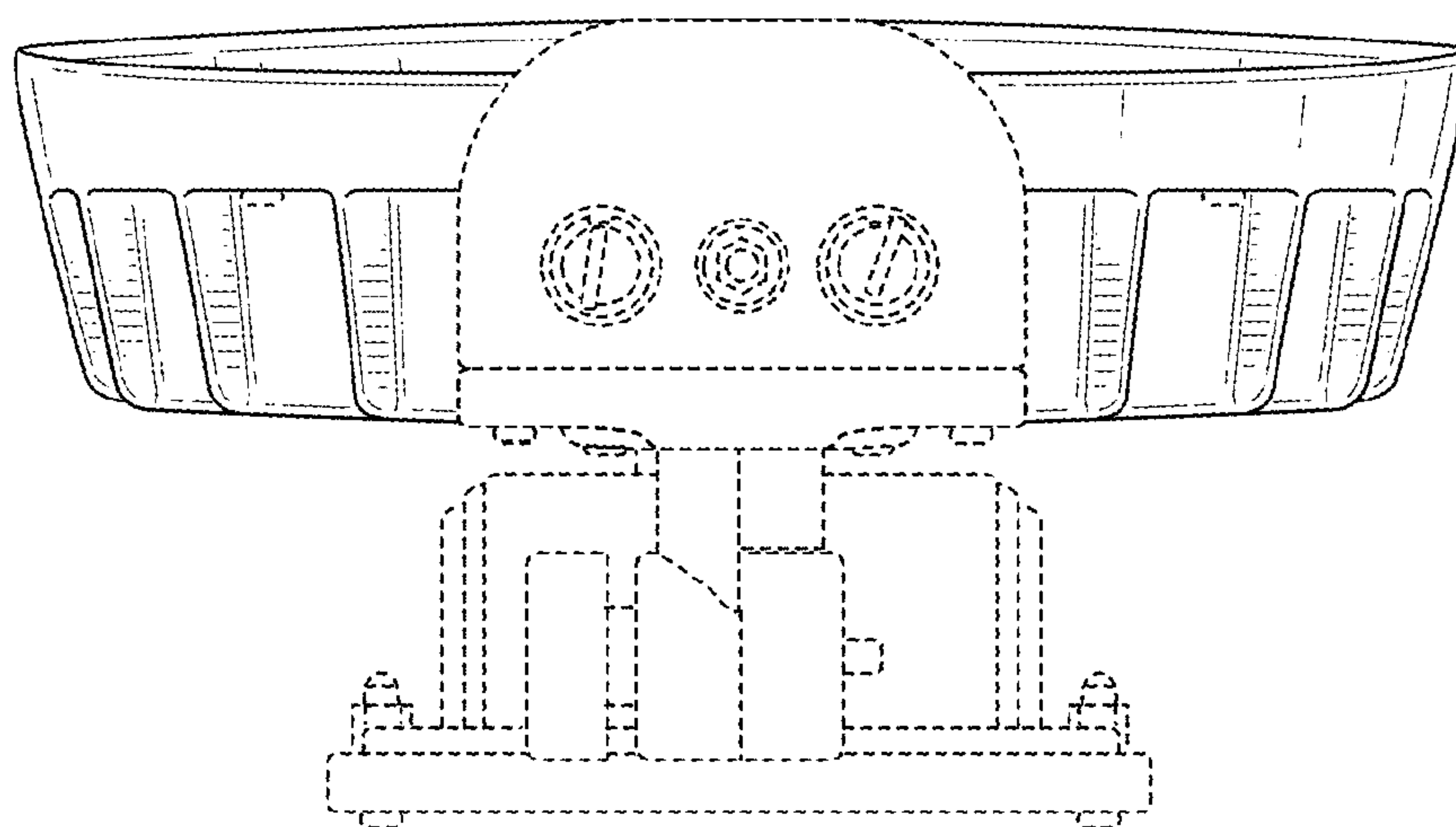


FIG. 7

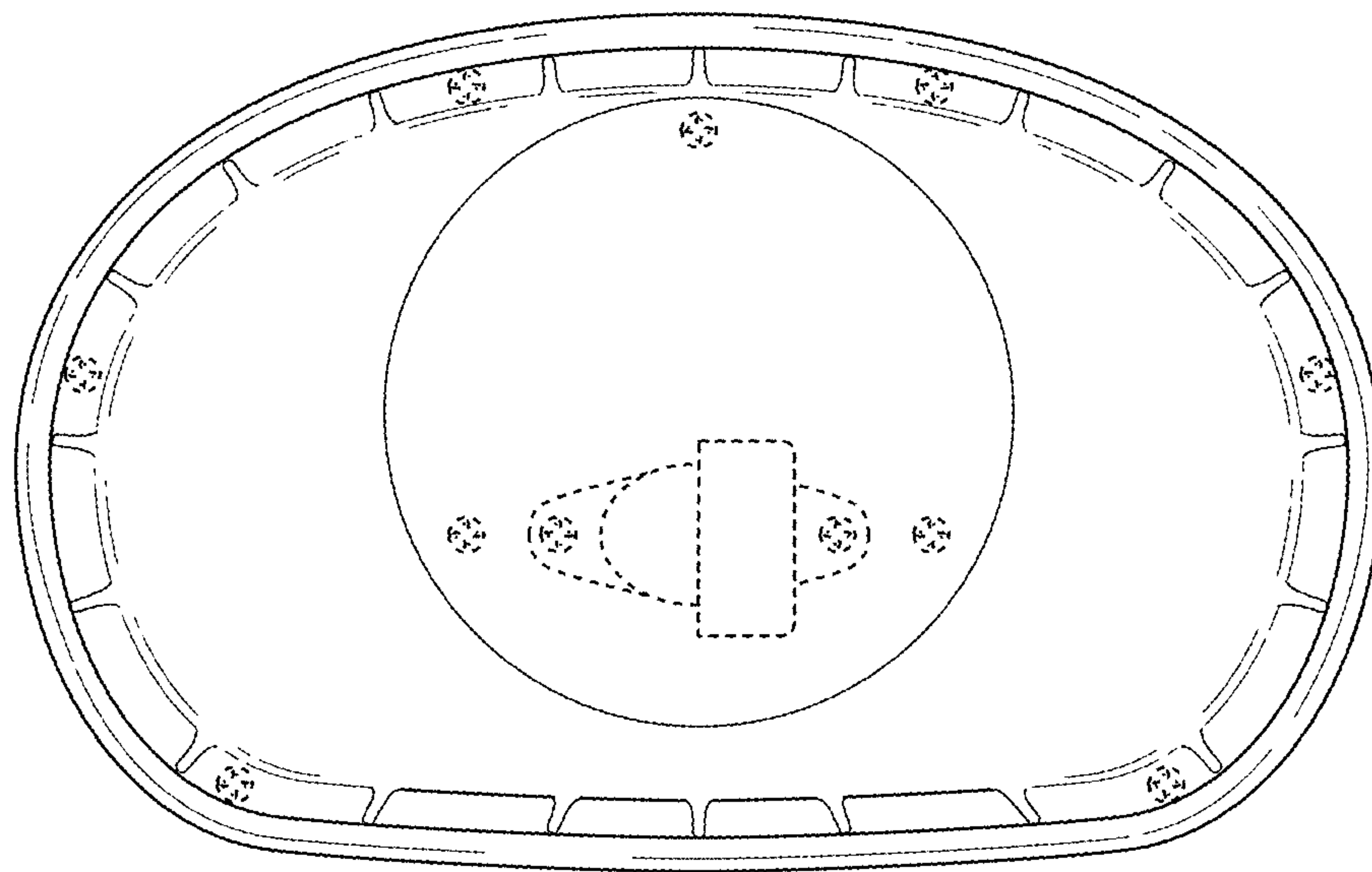


FIG. 8

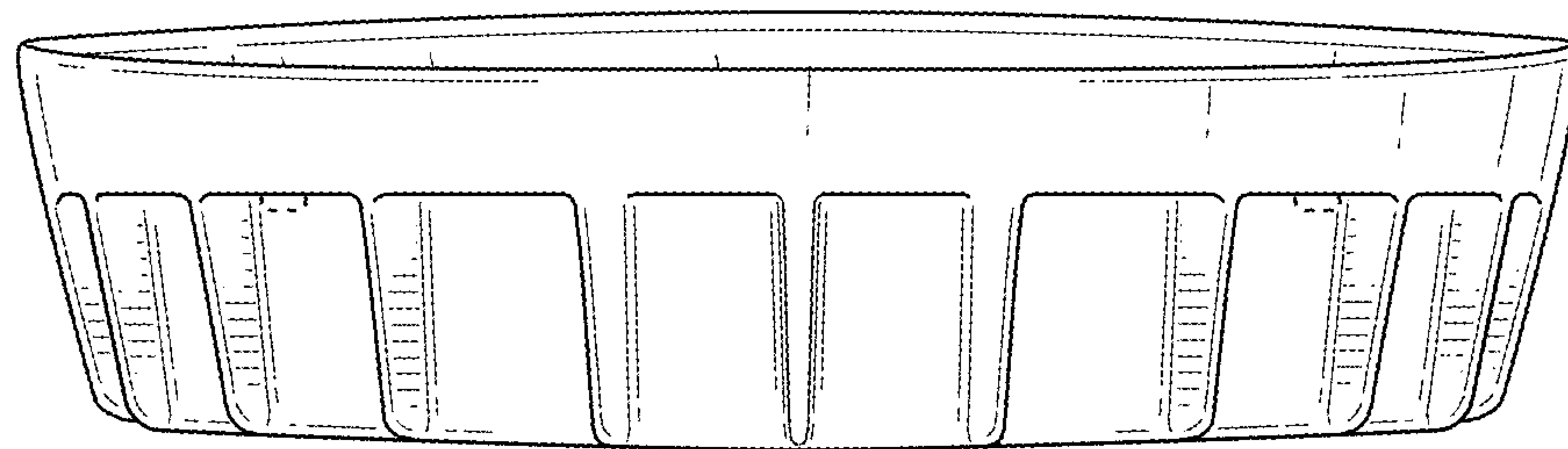


FIG. 9