



US00D687179S

(12) **United States Design Patent**
Kim

(10) **Patent No.:** **US D687,179 S**
(45) **Date of Patent:** **** Jul. 30, 2013**

(54) **PROTECTIVE COVER FOR LED MODULE**

(76) Inventor: **Jung Hoon Kim**, Seoul (KR)

(**) Term: **14 Years**

(21) Appl. No.: **29/429,512**

(22) Filed: **Aug. 13, 2012**

(30) **Foreign Application Priority Data**

Jul. 31, 2012 (KR) 30-2012-0037238

(51) **LOC (9) Cl.** **26-99**

(52) **U.S. Cl.**
USPC **D26/118**

(58) **Field of Classification Search**
USPC D26/118, 119, 120, 67, 68, 69, 62,
D26/63, 85, 86, 121, 122, 65, 124, 125, 139,
D26/138, 140, 155, 154, 72, 76, 75, 64, 66,
D26/71, 78, 79, 84, 137, 136, 126, 127, 128,
D26/129, 135, 132, 134, 142, 144, 145, 147,
D26/152, 1, 2, 3, 87, 88, 24, 25, 26, 28, 89,
D26/90, 91, 92; 362/225, 326, 147,
249.01-249.12, 346, 223, 224, 306, 149,
362/362, 217.05, 342, 217.03, 297, 294,
362/235, 329, 476, 555, 218; D13/179, 180
See application file for complete search history.

(56) **References Cited**

U.S. PATENT DOCUMENTS

D140,840	S *	4/1945	Cressaty	D26/124
D218,579	S *	9/1970	Kahn	D10/114.1
D367,719	S *	3/1996	Rasmusen	D26/28
6,371,637	B1 *	4/2002	Atchinson et al.	362/555
6,641,284	B2 *	11/2003	Stopa et al.	362/240
6,726,502	B1 *	4/2004	Hayes	439/422
7,217,004	B2 *	5/2007	Park et al.	362/240
D552,566	S *	10/2007	Moriyama	D13/180
7,374,306	B2 *	5/2008	Liu	362/27

D576,569	S *	9/2008	Chen et al.	D13/180
7,559,672	B1 *	7/2009	Parkyn et al.	362/244
7,703,941	B2 *	4/2010	Lee	362/219
D622,898	S *	8/2010	Chen et al.	D26/124
7,845,828	B2 *	12/2010	Ku	362/249.02
D632,001	S *	2/2011	Kong et al.	D26/71
D650,504	S *	12/2011	Kim et al.	D26/63
8,101,434	B2 *	1/2012	Guillien et al.	438/15
D657,487	S *	4/2012	Sabernig	D26/84
8,220,980	B2 *	7/2012	Gingrich, III	362/612
8,348,492	B2 *	1/2013	Mier-Langner et al.	362/648
2002/0172046	A1 *	11/2002	Perlo et al.	362/304
2003/0193803	A1 *	10/2003	Lin	362/250
2011/0085329	A1 *	4/2011	Kuo	362/235
2012/0162977	A1 *	6/2012	Chen et al.	362/218

* cited by examiner

Primary Examiner — Kevin Rudzinski
(74) *Attorney, Agent, or Firm* — Lexyoume IP Meister, PLLC.

(57) **CLAIM**
The ornamental design for a protective cover for LED module, as shown and described.

DESCRIPTION

FIG. 1 is a perspective view of a protective cover for LED module showing my new design;
FIG. 2 is a front elevational view thereof;
FIG. 3 is a rear elevational view thereof;
FIG. 4 is a left side elevational view thereof;
FIG. 5 is a right side elevational view thereof;
FIG. 6 is a top plan view thereof;
FIG. 7 is a bottom plan view thereof;
FIG. 8 is a sectional view taken along line 8-8 in FIG. 4; and,
FIG. 9 is a sectional view taken along line 8-8 in FIG. 4, showing the design in use.
The broken lines shown in FIG. 9 to illustrate environmental structures form no part of the claimed design.

1 Claim, 4 Drawing Sheets

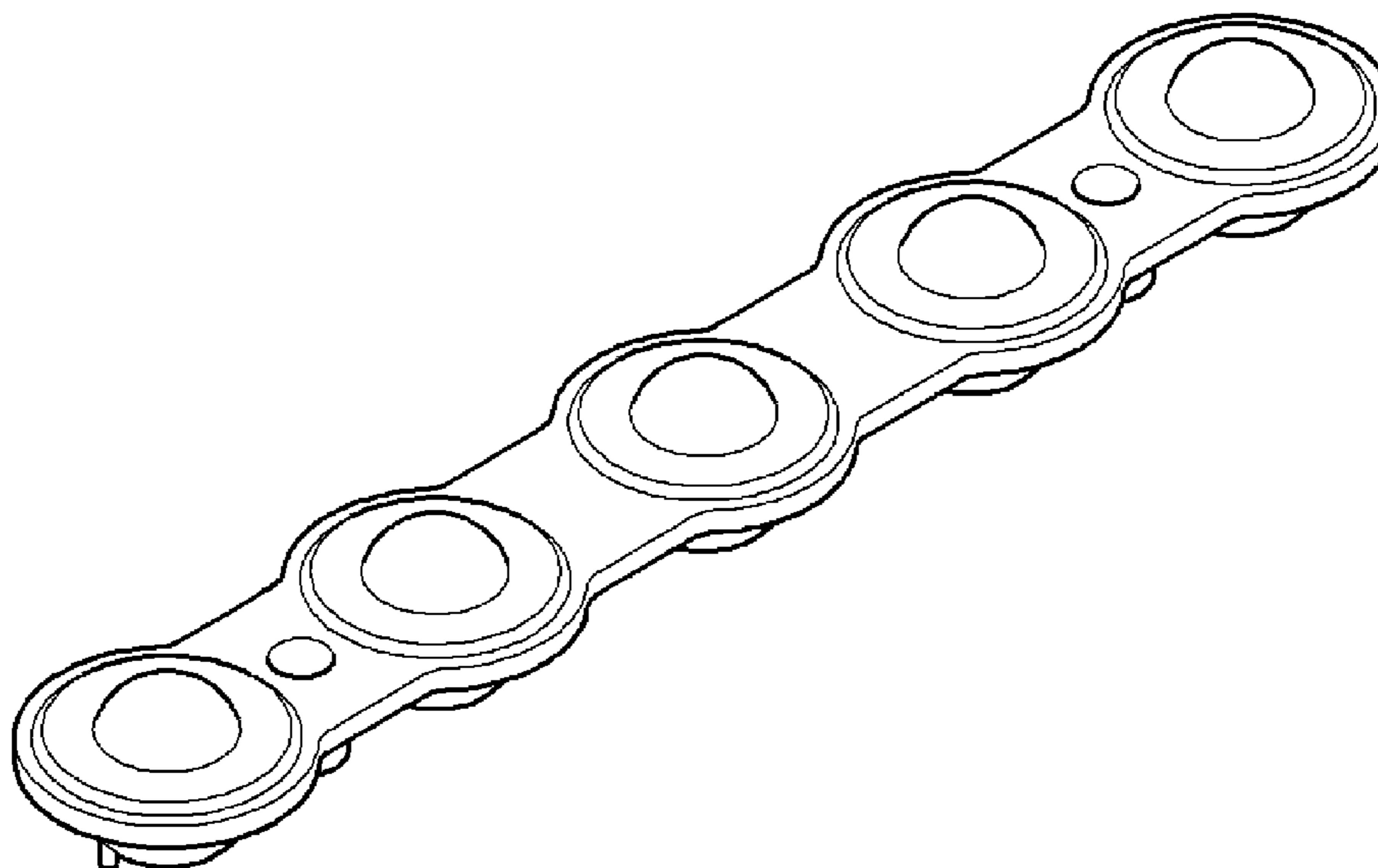


FIG. 1

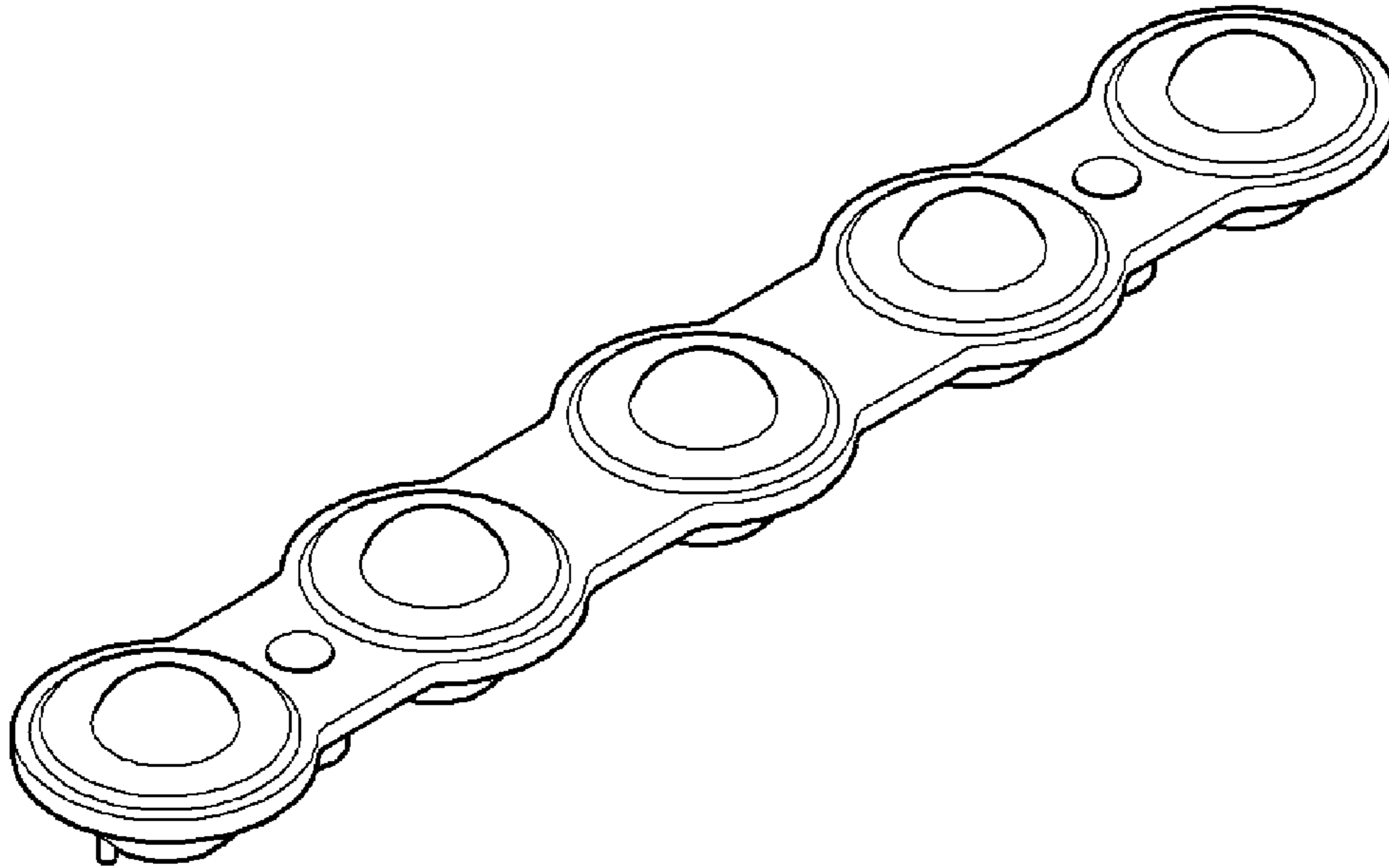


FIG. 2

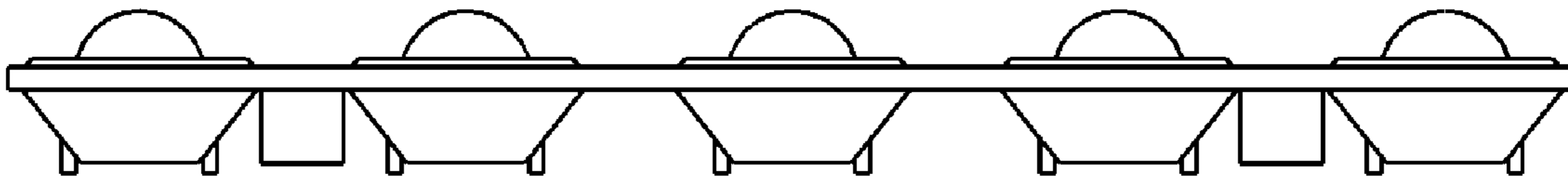


FIG. 3

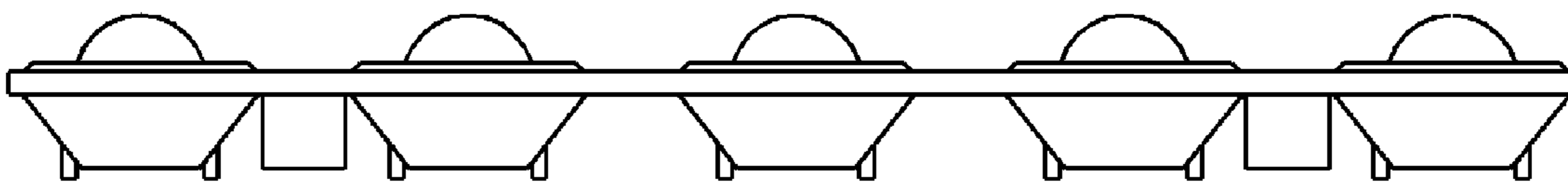


FIG.4

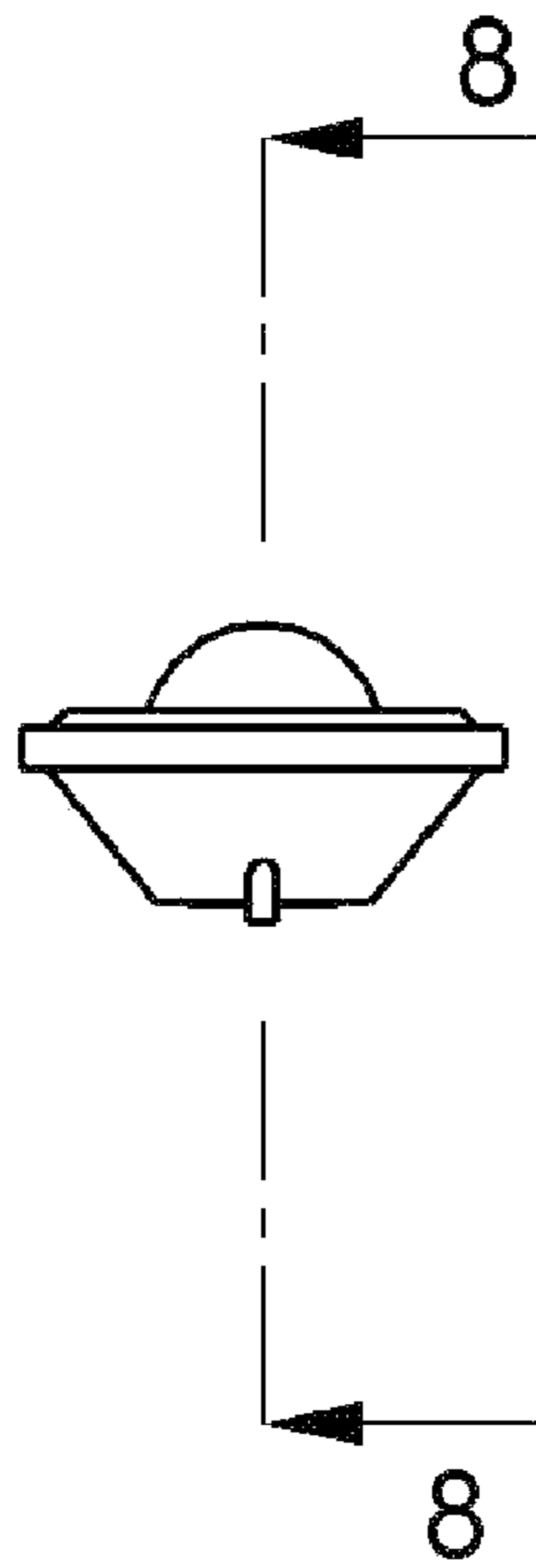


FIG.5

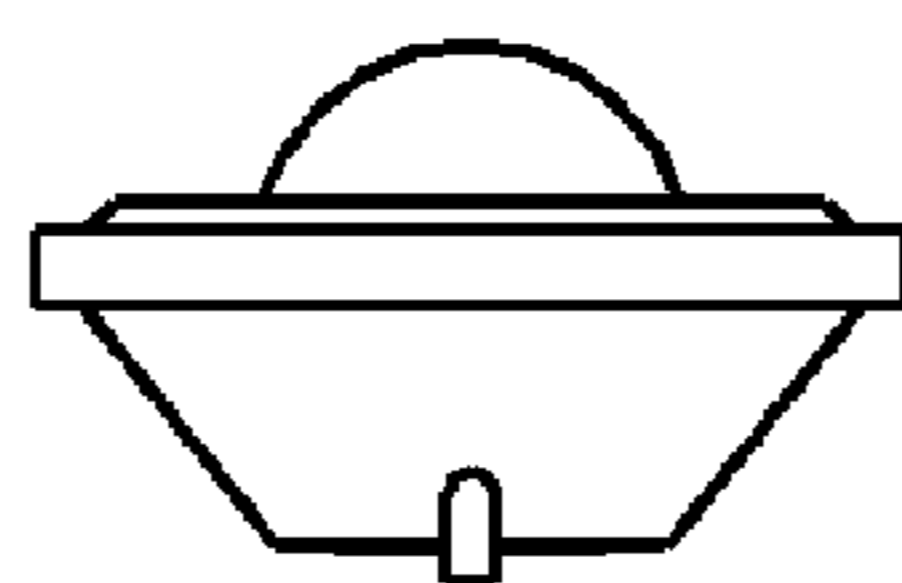


FIG.6

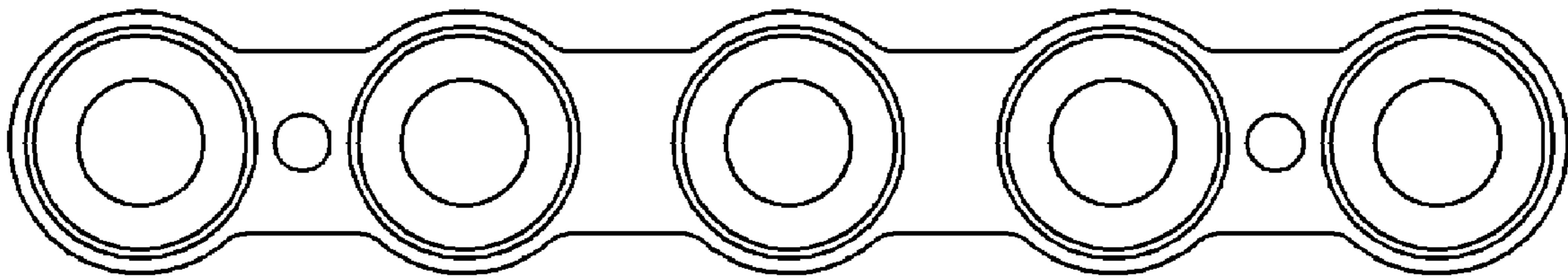


FIG.7

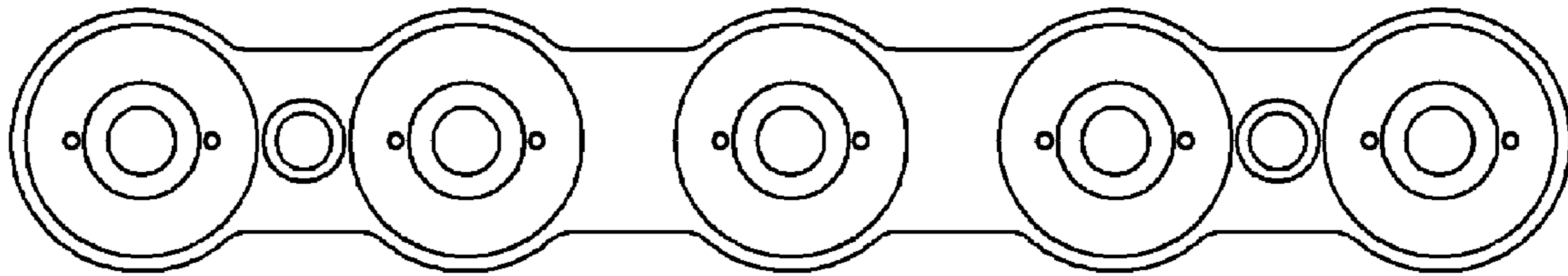


FIG.8

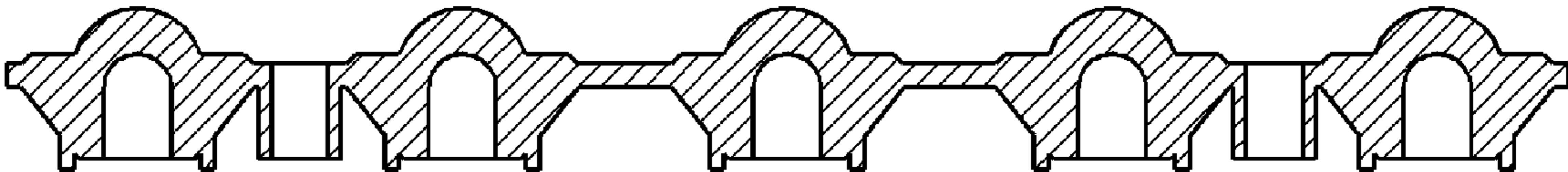


FIG.9

