



US00D687175S

(12) **United States Design Patent**
Levine

(10) **Patent No.:** **US D687,175 S**
(45) **Date of Patent:** **** Jul. 30, 2013**

(54) **LIGHTING DEVICE**

(75) Inventor: **Jonathan E. Levine**, New York, NY
(US)

(73) Assignee: **Lancer & Loader Group, LLC**, New
York, NY (US)

(**) Term: **14 Years**

(21) Appl. No.: **29/416,160**

(22) Filed: **Mar. 19, 2012**

(51) **LOC (9) Cl.** **26-02**

(52) **U.S. Cl.**
USPC **D26/43**

(58) **Field of Classification Search**
USPC D26/43, 60–66, 37, 38, 44, 51; 362/157,
362/158, 183, 194–208, 410, 413, 414, 419,
362/427, 285, 287, 282, 277, 275, 274, 271,
362/270, 269, 431, 421

See application file for complete search history.

(56) **References Cited**

U.S. PATENT DOCUMENTS

4,238,816	A	*	12/1980	Merlo	362/279
4,760,499	A	*	7/1988	Il	362/512
D364,477	S	*	11/1995	Ryder	D26/60
D399,021	S	*	9/1998	Lam	D26/106
D460,204	S	*	7/2002	Giese	D26/26
D515,722	S	*	2/2006	Opolka	D26/62
D518,212	S	*	3/2006	Shiu	D26/43
D536,116	S	*	1/2007	Sharrah	D26/43
D565,782	S	*	4/2008	Opolka	D26/99
D575,433	S	*	8/2008	Nunes	D26/73
D588,735	S	*	3/2009	Woodard	D26/61
D589,188	S	*	3/2009	Sabernig	D26/62
D607,129	S	*	12/2009	Levine	D26/43
D621,537	S	*	8/2010	Borovicka et al.	D26/43

D621,981	S	*	8/2010	McAtamney et al.	D26/61
D632,413	S	*	2/2011	Teufel et al.	D26/62
D669,618	S	*	10/2012	Ormsbee et al.	D26/62
D672,897	S	*	12/2012	Guercio et al.	D26/62
2008/0137326	A1	*	6/2008	Levine	362/157

* cited by examiner

Primary Examiner — Ian Simmons

Assistant Examiner — Carissa C Fitts

(74) *Attorney, Agent, or Firm* — Perkins Coie LLP

(57) **CLAIM**

The ornamental design for a lighting device, as shown and described.

DESCRIPTION

FIG. 1 is a perspective view of a lighting device showing my new design in a first configuration, as viewed from the top and one side.

FIG. 2 is a first side elevation view of the lighting device of FIG. 1 in the first configuration.

FIG. 3 is a second side elevation view of the lighting device of FIG. 1 in the first configuration.

FIG. 4 is a front elevation view of the lighting device of FIG. 1 in the first configuration.

FIG. 5 is a back elevation view of the lighting device of FIG. 1 in the first configuration.

FIG. 6 is a top plan view of the lighting device of FIG. 1 in the first configuration.

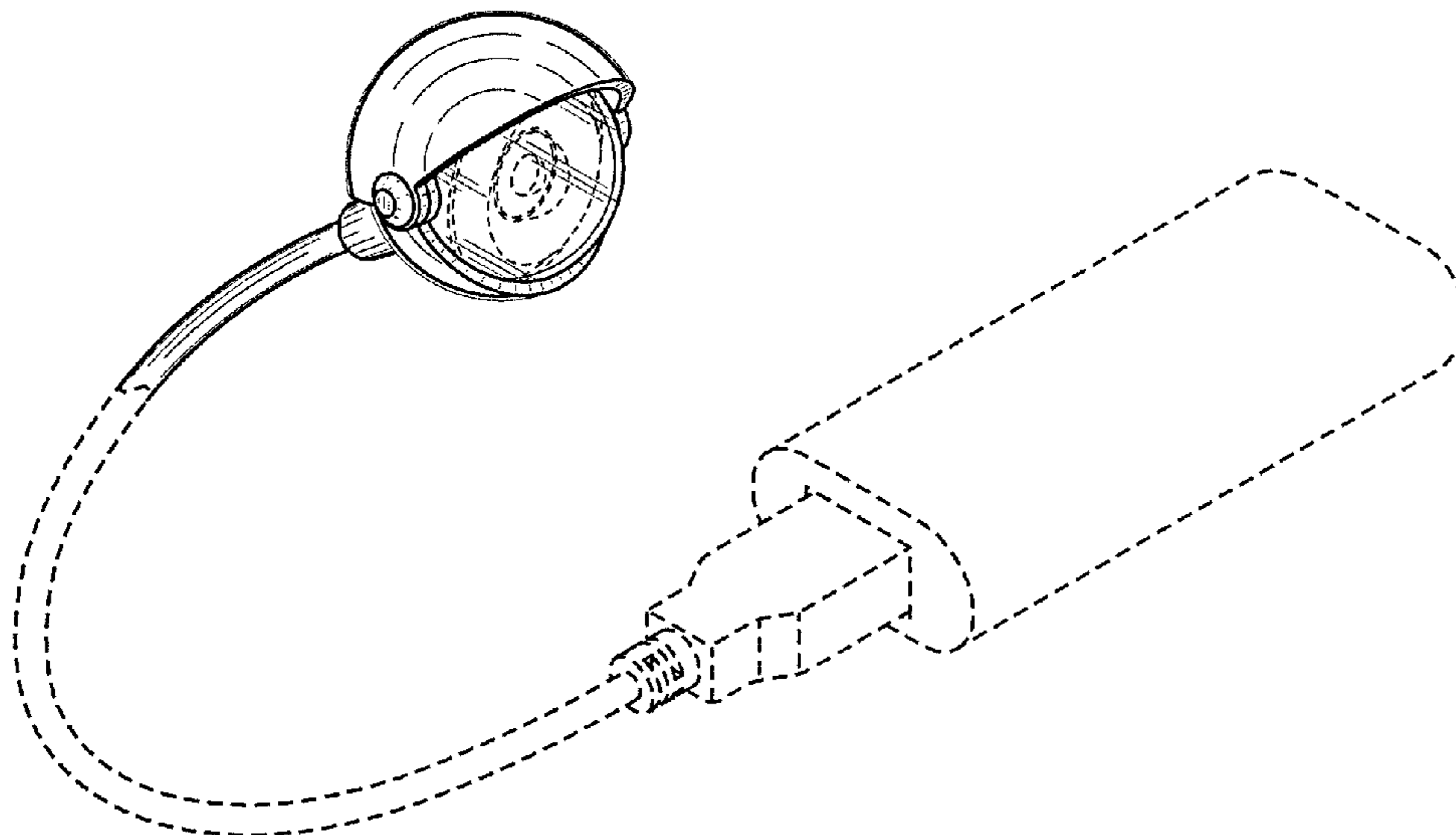
FIG. 7 is a bottom plan view of the lighting device of FIG. 1 in the first configuration.

FIG. 8 is a front elevation view of the lighting device of FIG. 1 in a second configuration; and,

FIG. 9 is a back elevation view of the lighting device of FIG. 1 in the second configuration.

The details shown in broken lines illustrate portions of the lighting device that form no part of the claimed design.

1 Claim, 4 Drawing Sheets



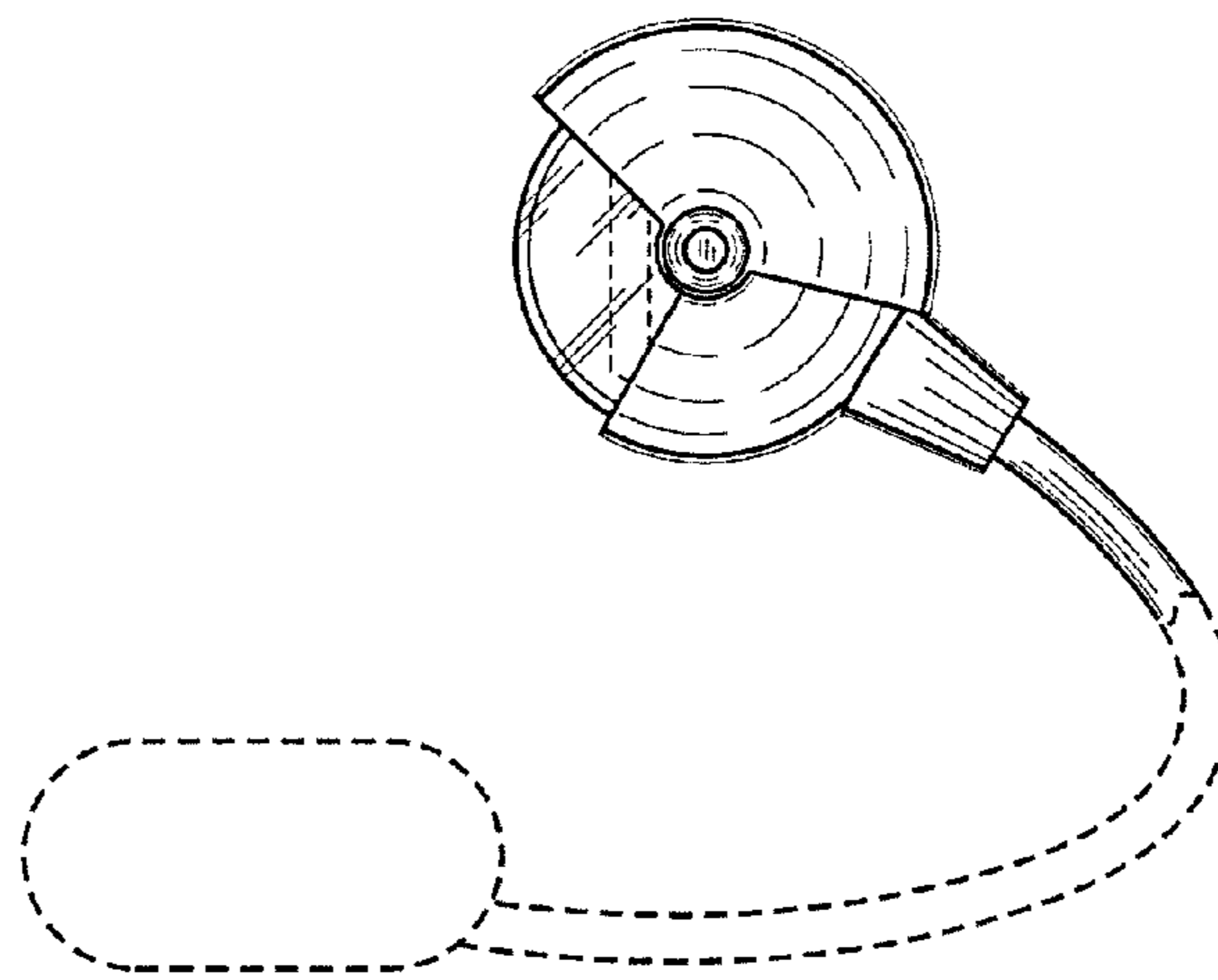
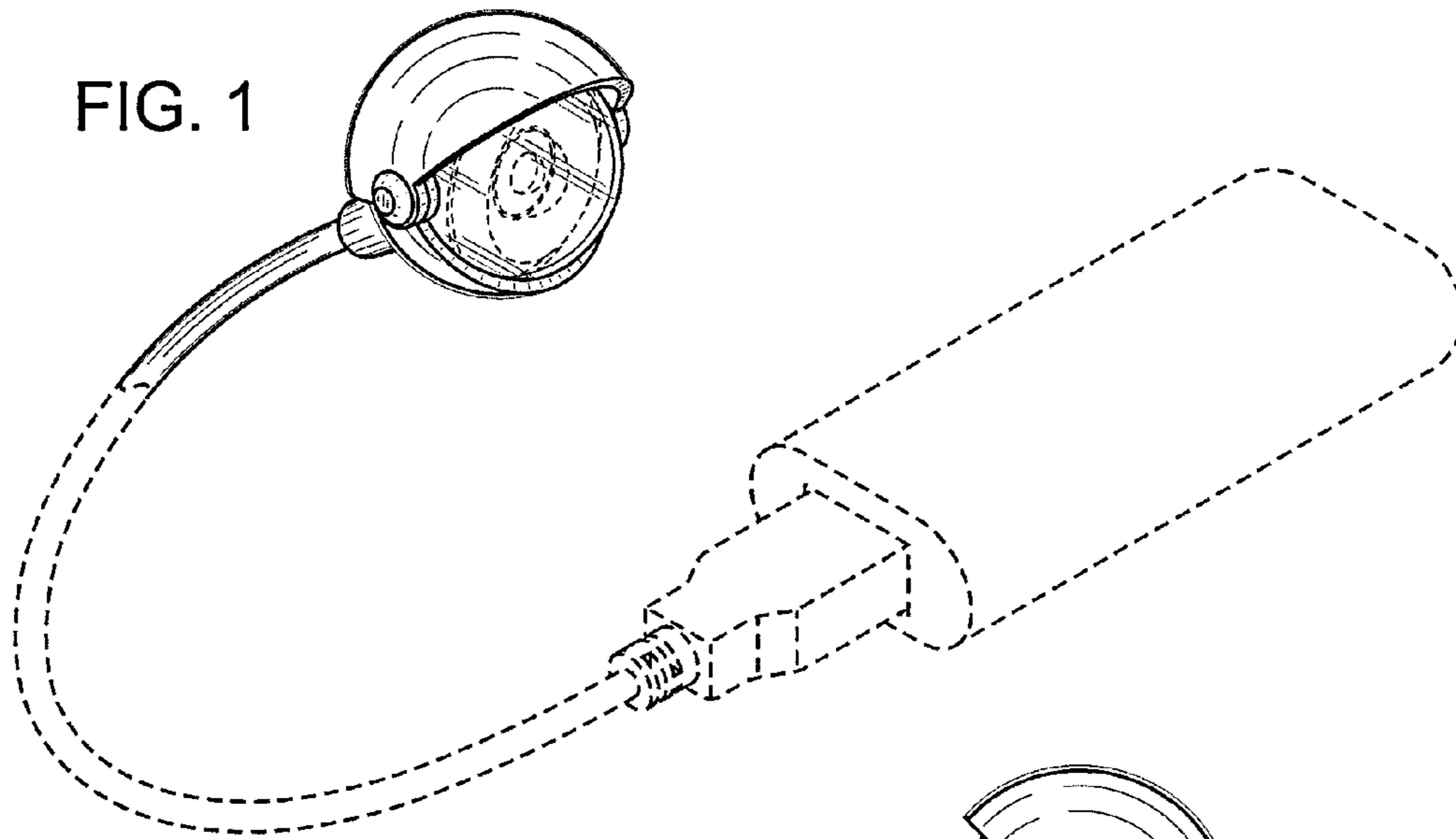


FIG. 2

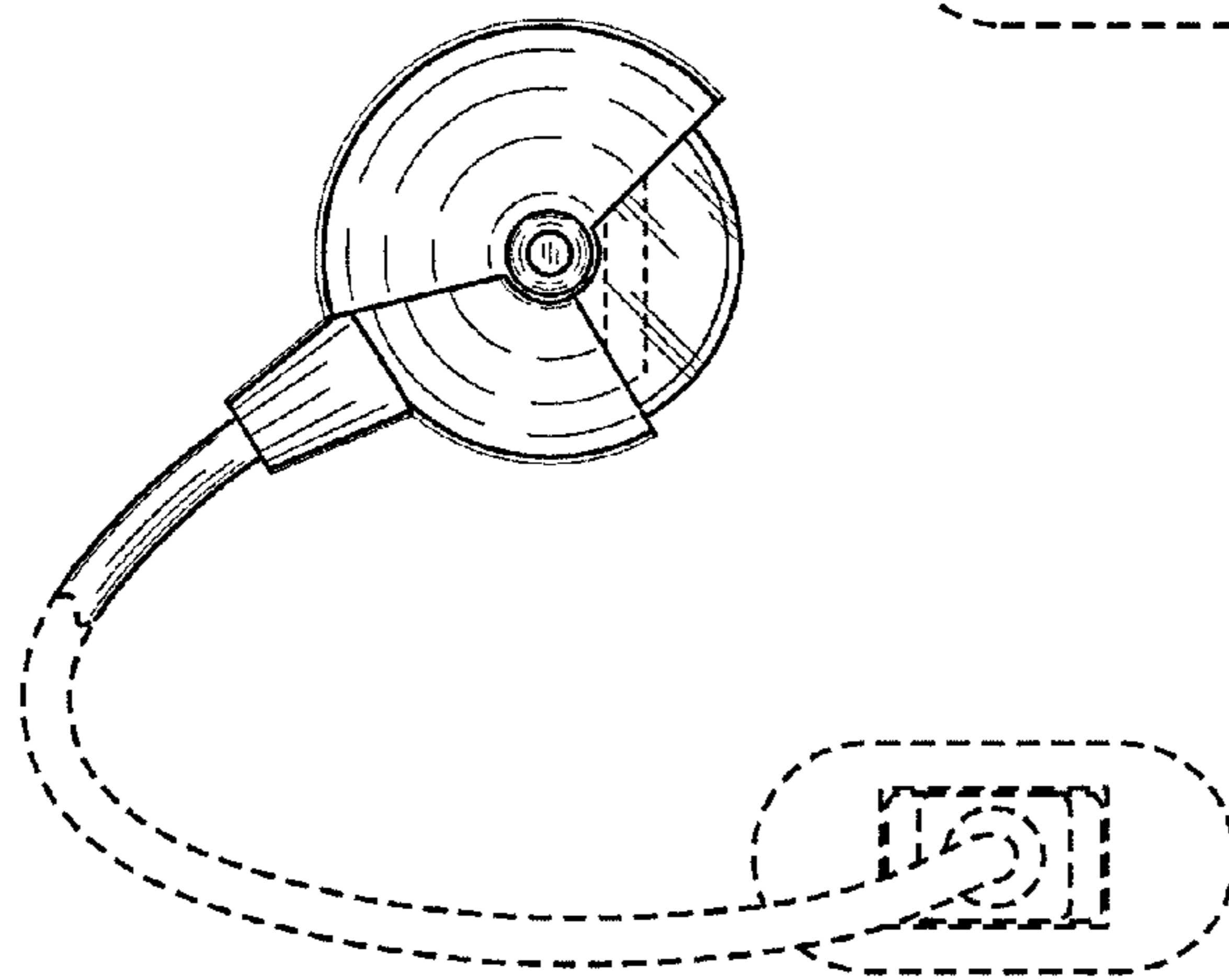


FIG. 3

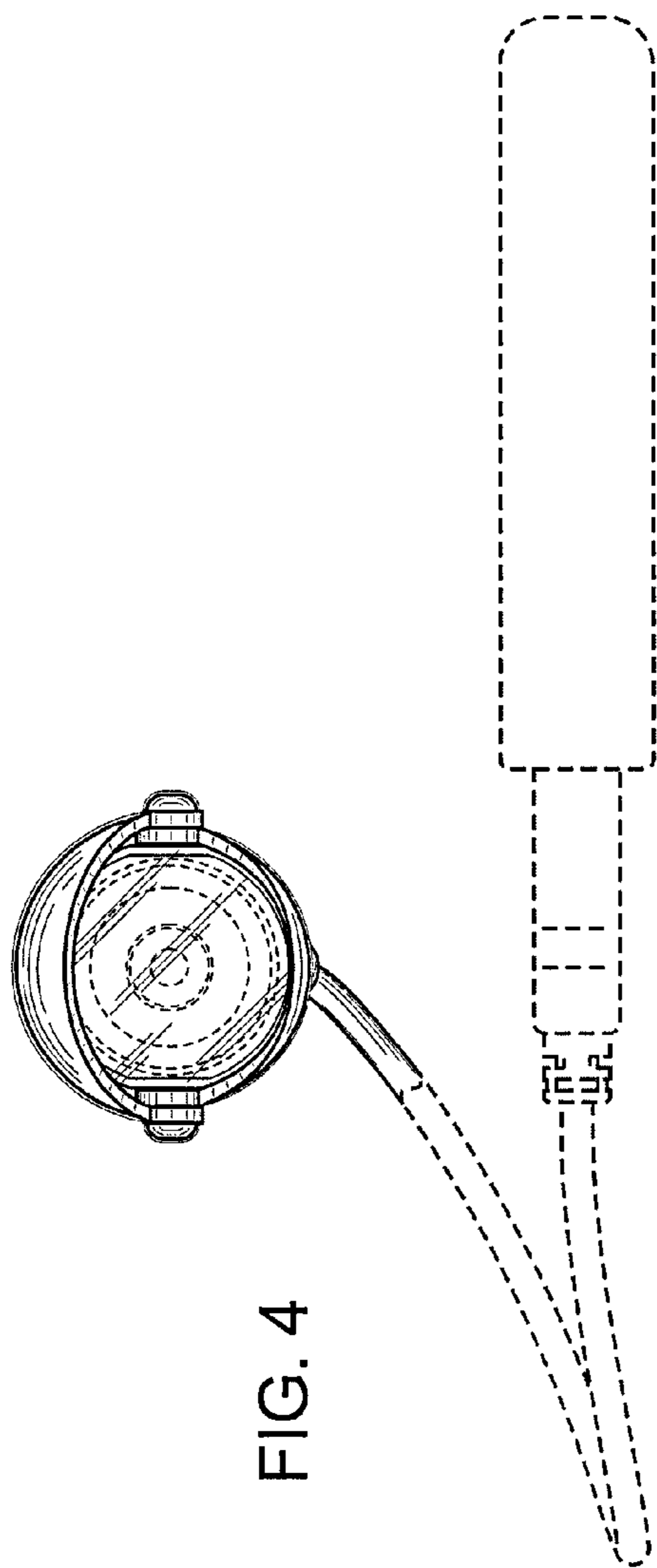


FIG. 4

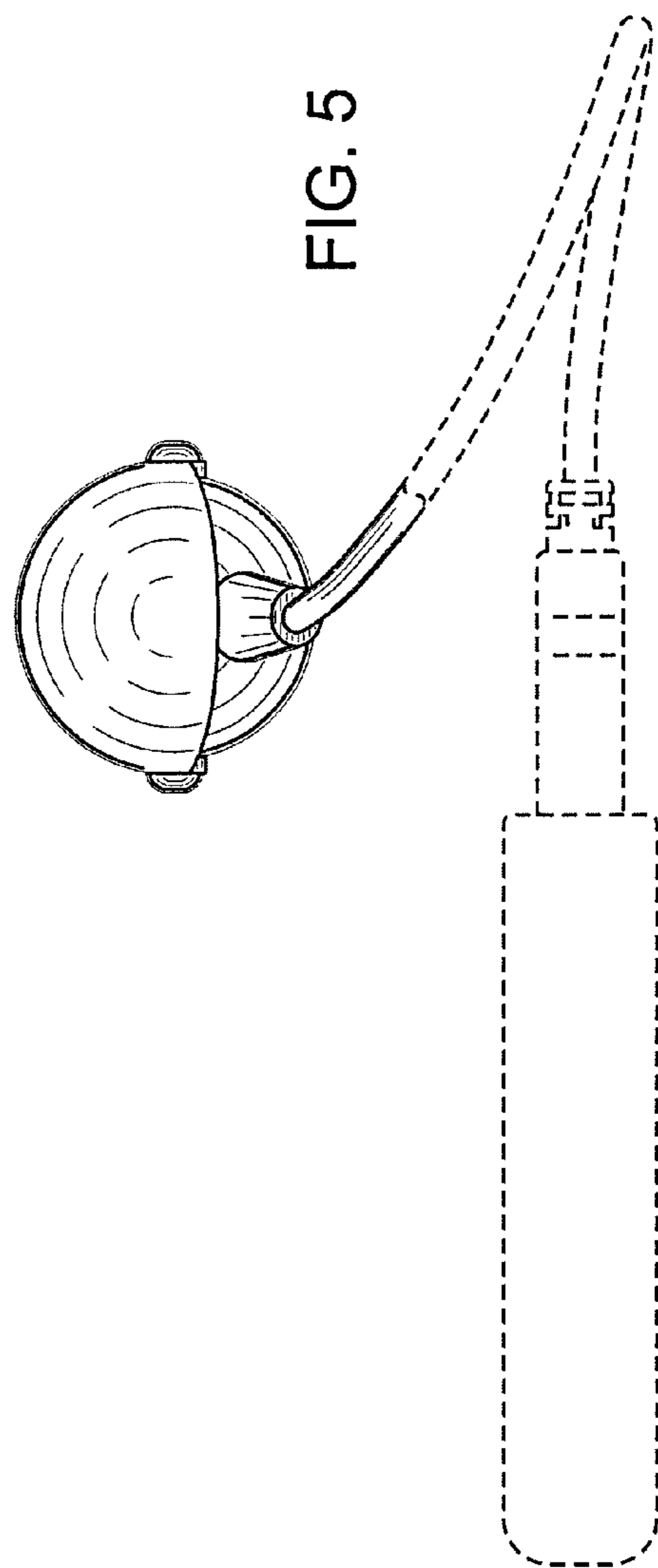
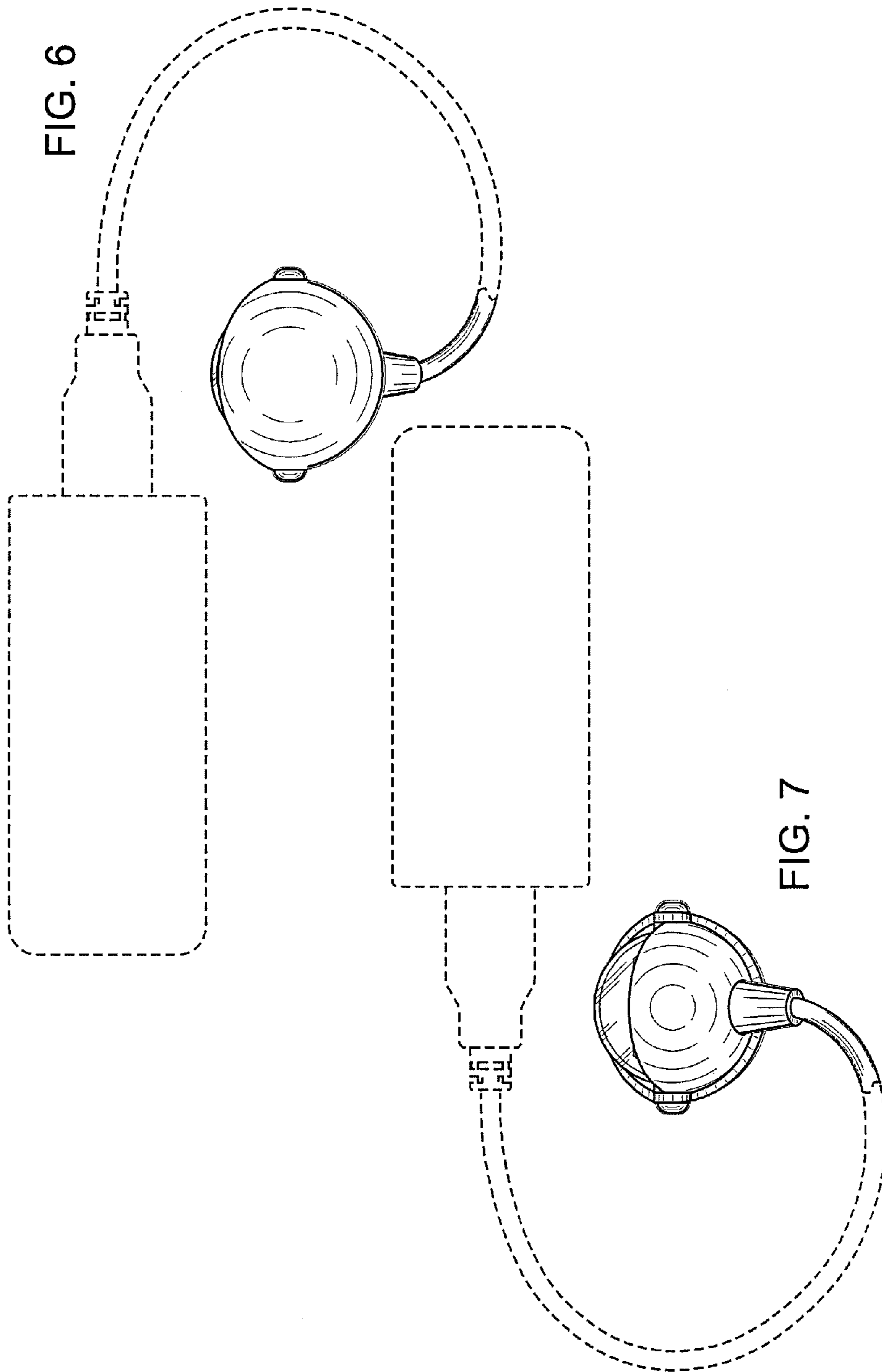


FIG. 5



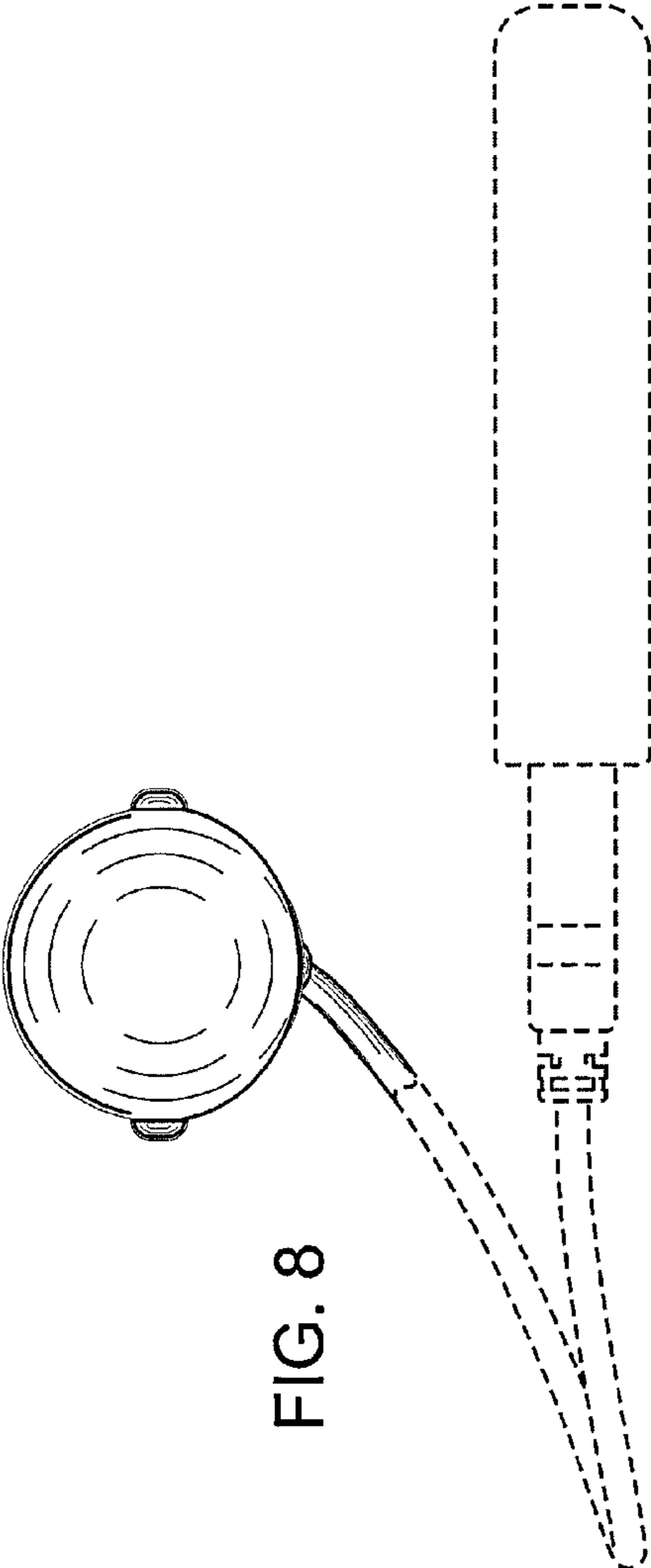


FIG. 8

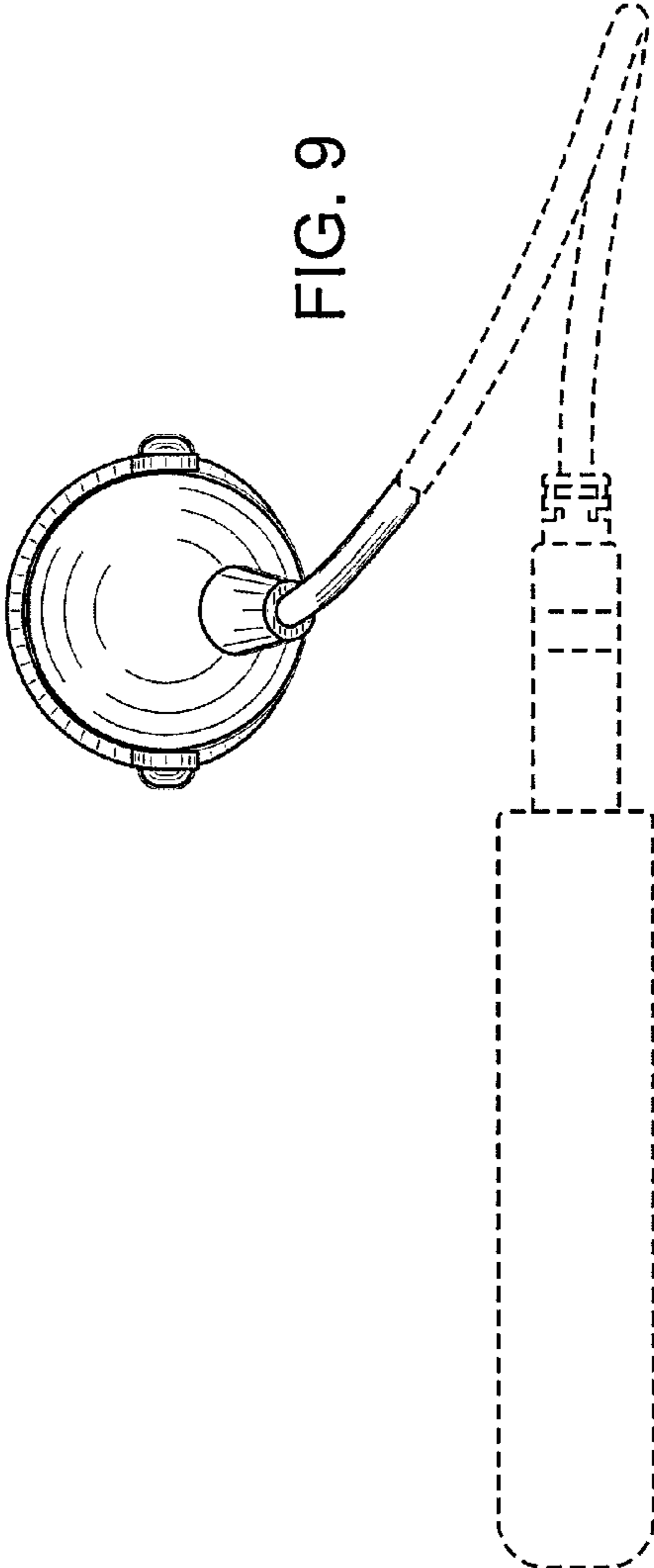


FIG. 9