



US00D687174S

(12) **United States Design Patent**
Hsu et al.

(10) **Patent No.:** **US D687,174 S**
(45) **Date of Patent:** **** Jul. 30, 2013**

(54) **LIGHT EMITTING DIODE LAMP**

(56) **References Cited**

(71) Applicant: **Cal-Comp Electronics & Communications Company Limited**,
New Taipei (TW)

(72) Inventors: **Ming-Cheng Hsu**, New Taipei (TW);
Che-Hsin Liao, New Taipei (TW);
Tsung-Chi Lai, New Taipei (TW);
Yi-Chu Hsien, New Taipei (TW)

(73) Assignees: **Cal-Comp Electronics & Communications Company Limited**,
New Taipei (TW); **Kinpo Electronics, Inc.**,
New Taipei (TW)

(**) Term: **14 Years**

(21) Appl. No.: **29/443,813**

(22) Filed: **Jan. 23, 2013**

Related U.S. Application Data

(62) Division of application No. 29/384,546, filed on Feb. 1, 2011, now Pat. No. Des. 679,843.

(51) **LOC (9) Cl.** **26-04**

(52) **U.S. Cl.**
USPC **D26/2**

(58) **Field of Classification Search**
USPC D26/1-4; 313/313, 315, 316, 317,
313/318, 493; 315/52, 53, 56, 57, 58

See application file for complete search history.

U.S. PATENT DOCUMENTS

D610,722 S *	2/2010	Bi	D26/2
D645,579 S *	9/2011	Layevsky et al.	D26/2
D646,406 S *	10/2011	Tsai et al.	D26/2
D649,664 S *	11/2011	Beregszaszi et al.	D26/2
D656,252 S *	3/2012	Engl et al.	D26/2
D663,057 S *	7/2012	Pan	D26/2

* cited by examiner

Primary Examiner — Marcus Jackson

(74) *Attorney, Agent, or Firm* — Jianq Chyun IP Office

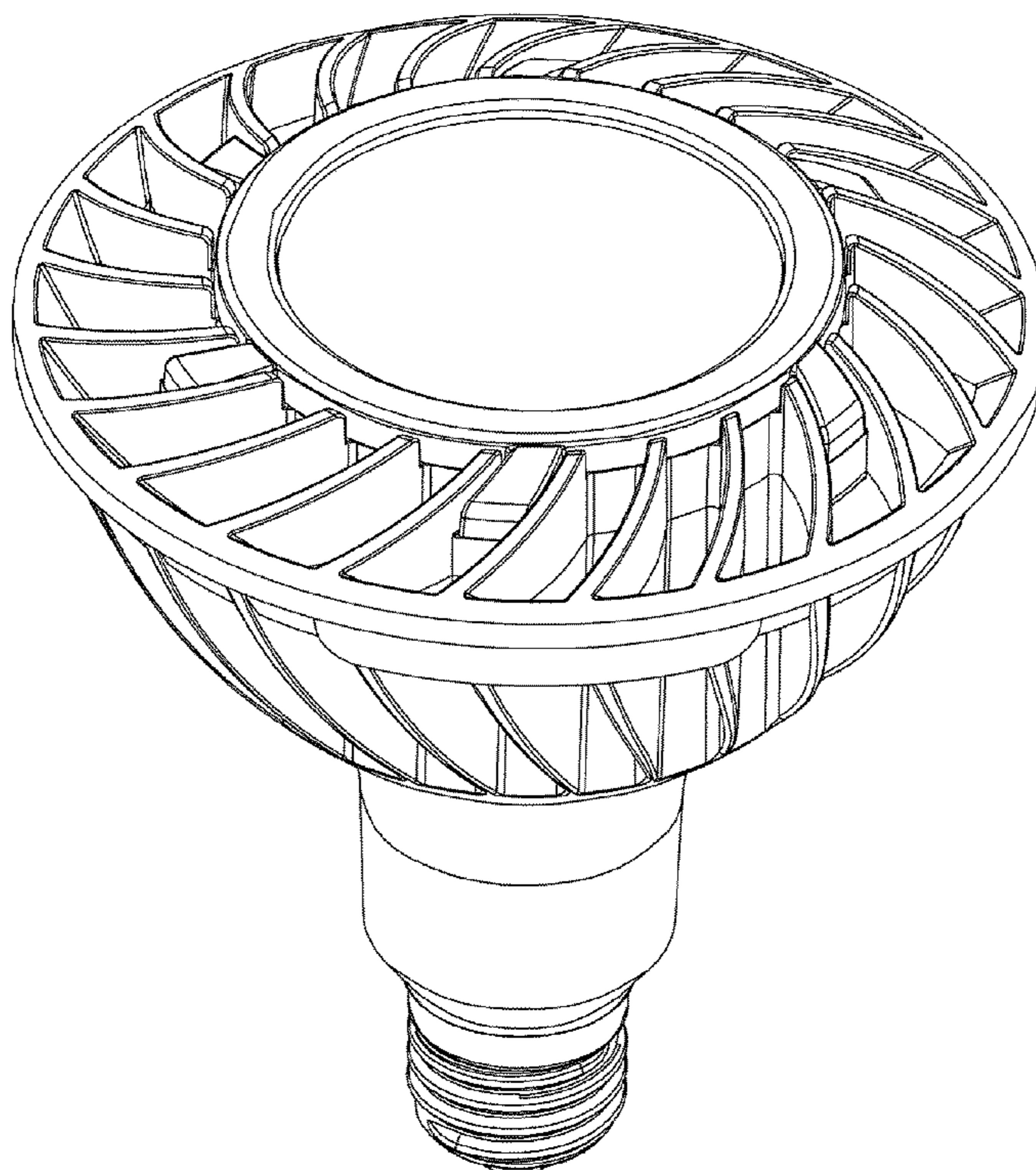
(57) **CLAIM**

The ornamental design for a light emitting diode lamp, as shown.

DESCRIPTION

FIG. 1 is a perspective view of a lighting emitting diode lamp showing our new design;
FIG. 2 is another perspective view thereof;
FIG. 3 is a front view thereof;
FIG. 4 is a rear view thereof;
FIG. 5 is a left side view thereof;
FIG. 6 is a right side view thereof;
FIG. 7 is a top view thereof; and,
FIG. 8 is a bottom view thereof.

1 Claim, 8 Drawing Sheets



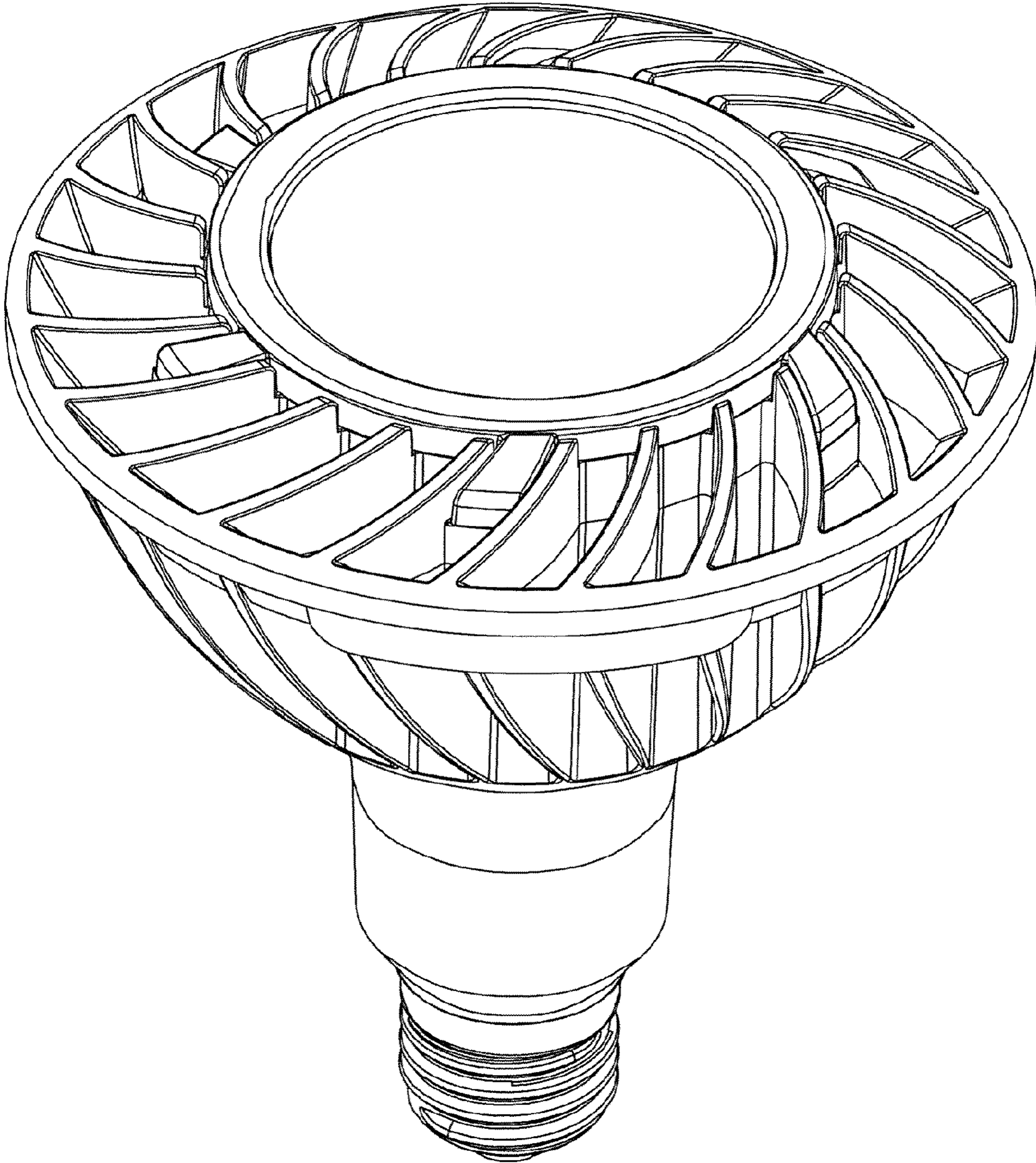


FIG. 1

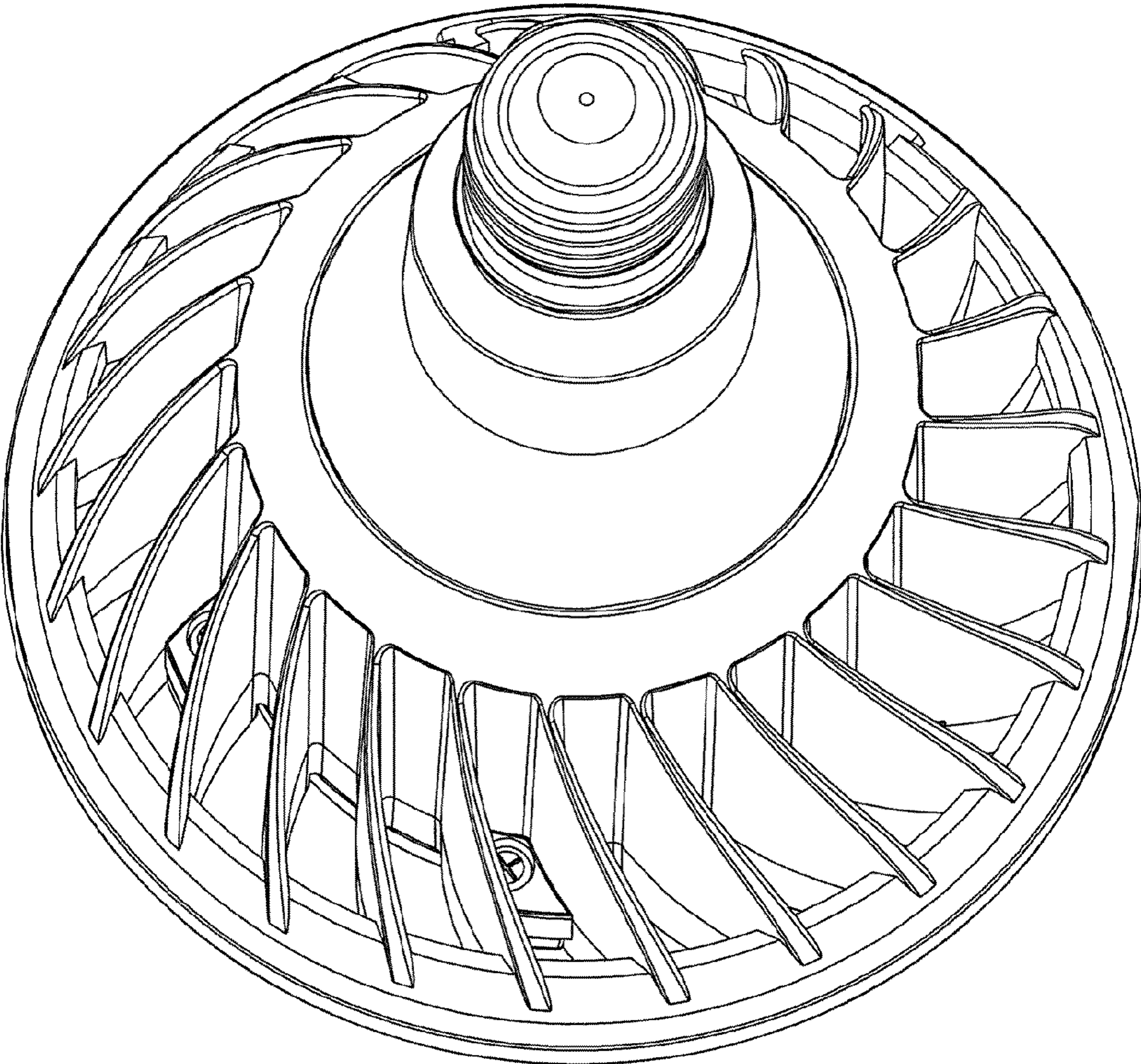


FIG. 2

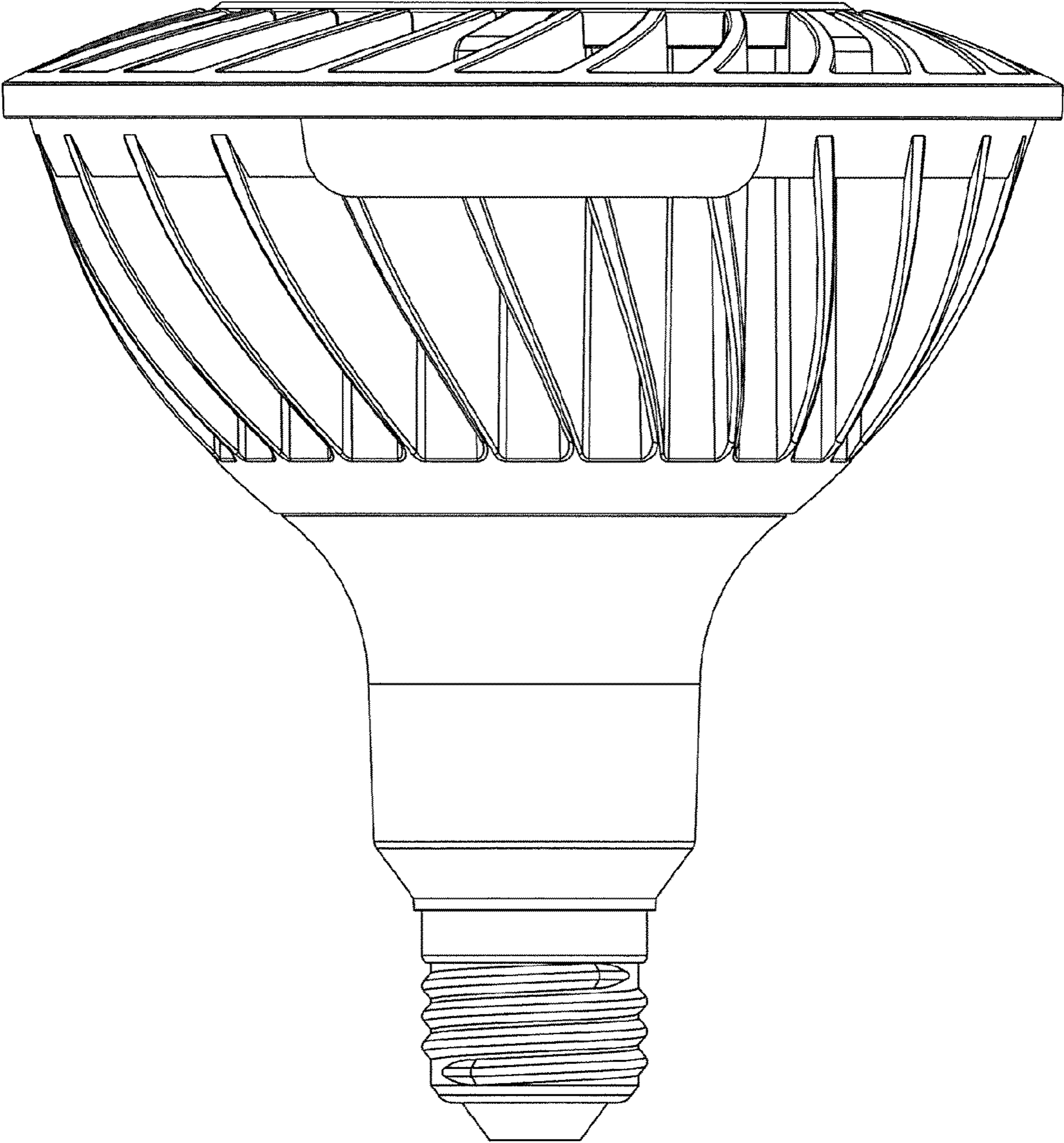


FIG. 3

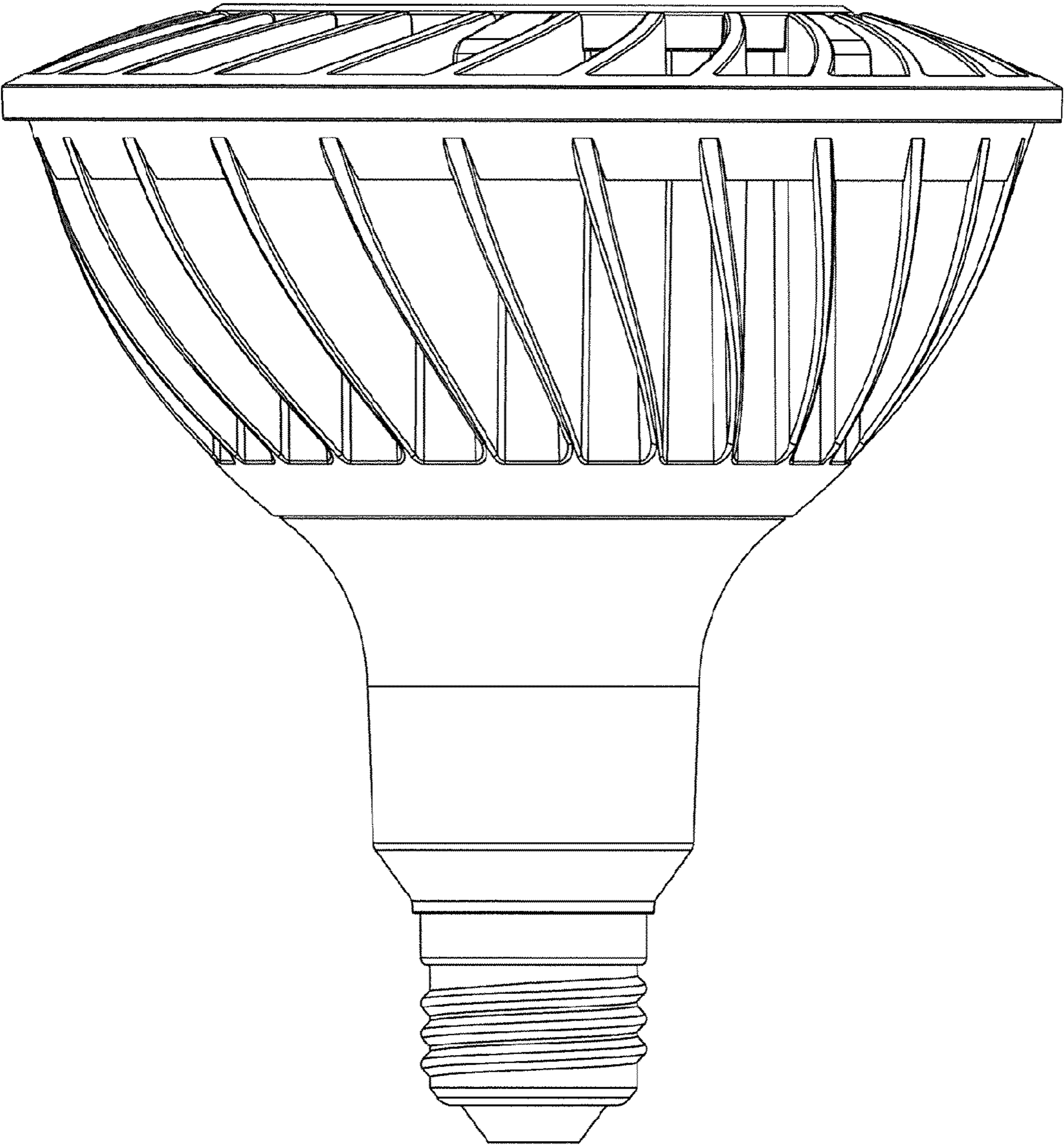


FIG. 4

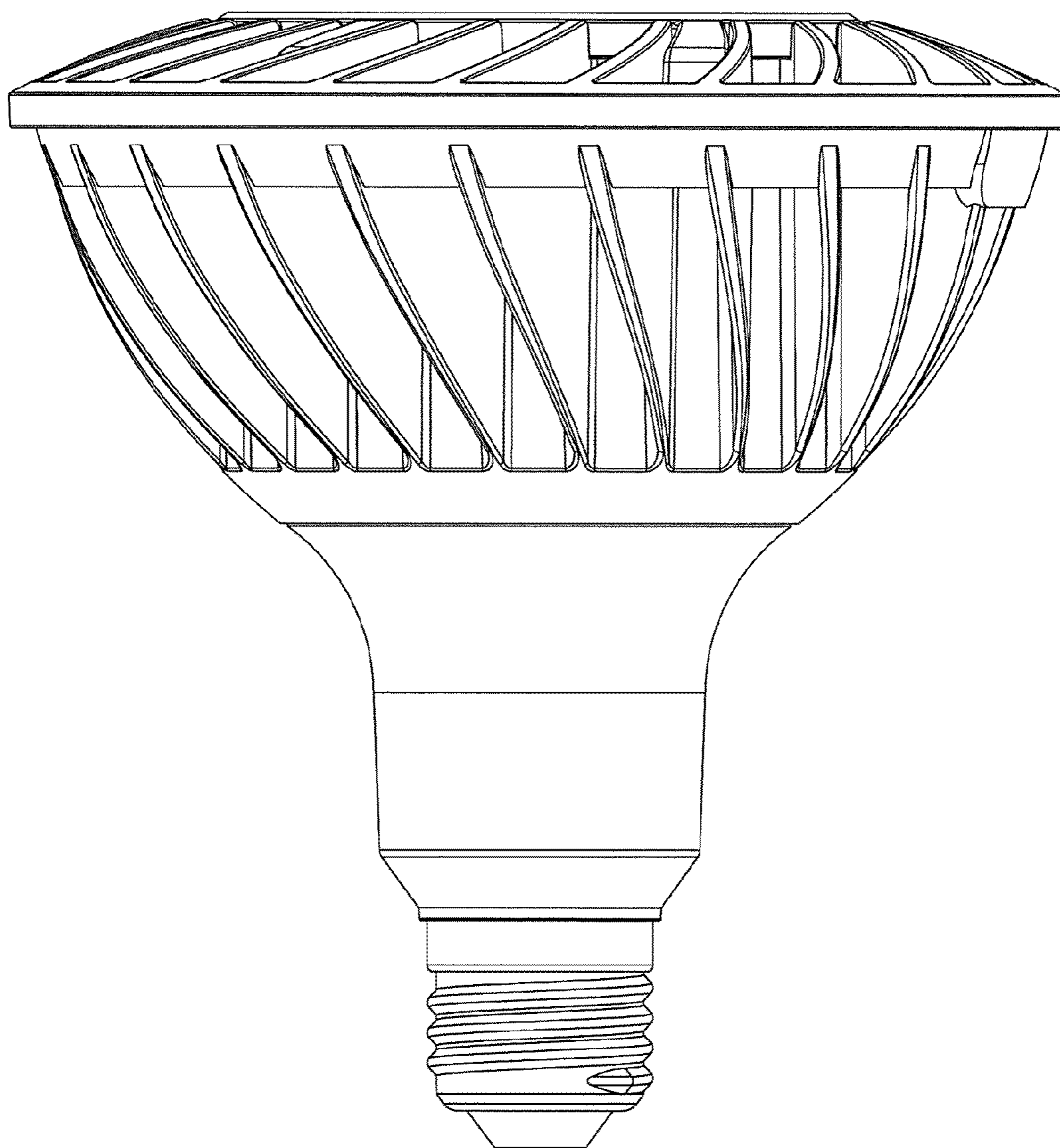


FIG. 5

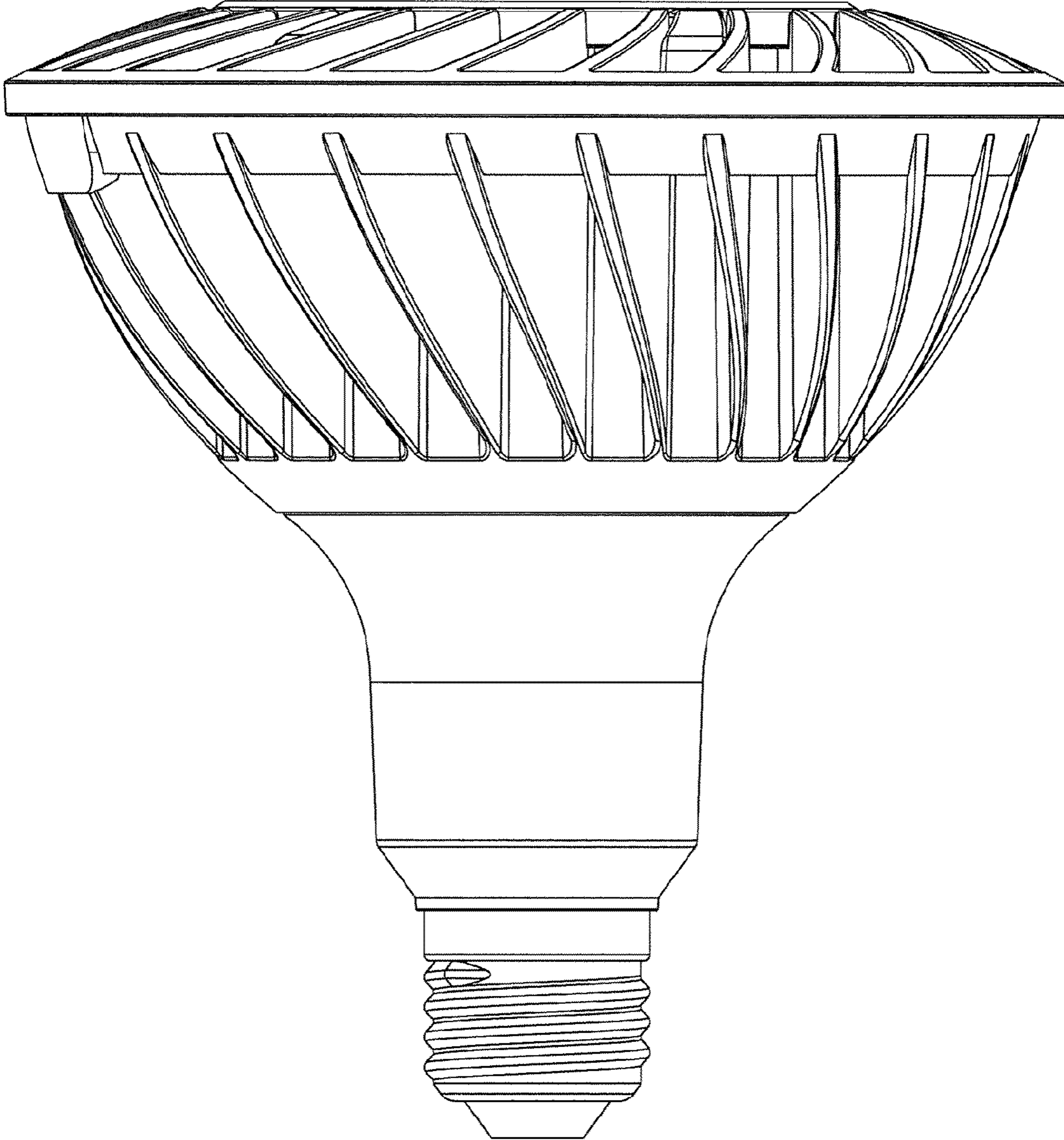


FIG. 6

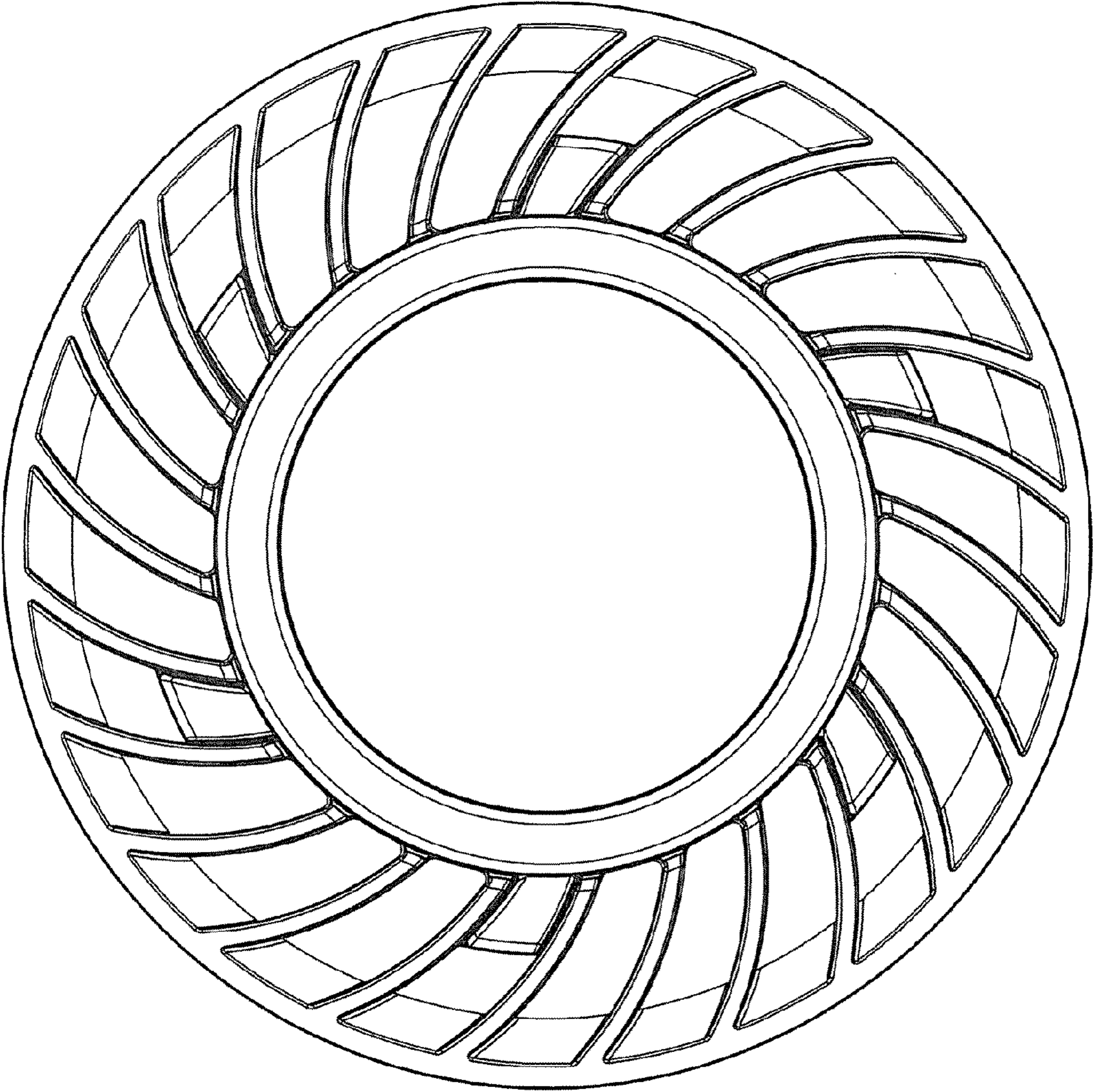


FIG. 7

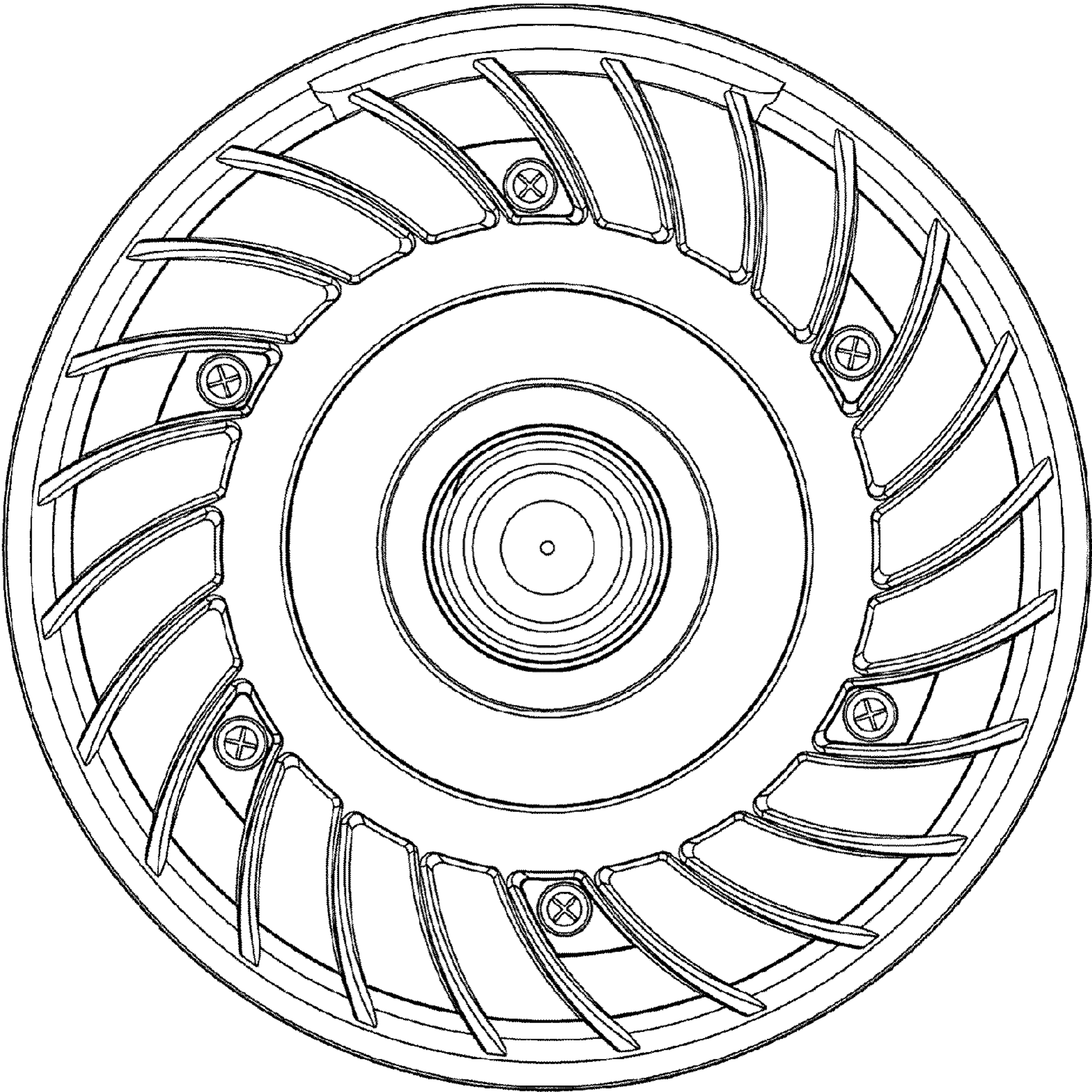


FIG. 8

UNITED STATES PATENT AND TRADEMARK OFFICE
CERTIFICATE OF CORRECTION

PATENT NO. : D687,174 S
APPLICATION NO. : 29/443813
DATED : July 30, 2013
INVENTOR(S) : Ming-Cheng Hsu et al.

Page 1 of 1

It is certified that error appears in the above-identified patent and that said Letters Patent is hereby corrected as shown below:

On the Title page of the patent grant, please replace item (71) Applicant's name with

Cal-Comp Electronics & Communications Company Limited, New Taipei (TW)

--Kinpo Electronics, Inc., New Taipei (TW)--

Signed and Sealed this
First Day of October, 2013



Teresa Stanek Rea
Deputy Director of the United States Patent and Trademark Office