



US00D687172S

(12) **United States Design Patent**  
**Brown et al.**

(10) **Patent No.:** **US D687,172 S**  
(45) **Date of Patent:** **\*\* Jul. 30, 2013**

(54) **LIGHT FIXTURE**

(75) Inventors: **Wendell Brown**, Henderson, NV (US);  
**Jonathan Fram**, Beverly Hills, CA (US)

(73) Assignee: **Nularis, Inc.**, West Hollywood, CA (US)

(\*\*) Term: **14 Years**

(21) Appl. No.: **29/409,965**

(22) Filed: **Dec. 30, 2011**

(51) **LOC (9) Cl.** ..... **26-04**

(52) **U.S. Cl.**  
USPC ..... **D26/2**

(58) **Field of Classification Search**  
USPC ..... D26/1-4; 313/313, 315, 316, 317,  
313/318, 493; 315/52, 53, 56, 57, 58  
See application file for complete search history.

(56) **References Cited**

U.S. PATENT DOCUMENTS

D535,038 S \* 1/2007 Egawa et al. .... D26/2  
D582,578 S \* 12/2008 Tsai et al. .... D26/2  
D584,838 S \* 1/2009 To et al. .... D26/2

D594,995 S \* 6/2009 Komar ..... D26/2  
D601,722 S \* 10/2009 Foo ..... D26/2  
D631,989 S \* 2/2011 Bobel ..... D26/2  
D657,075 S \* 4/2012 Guohui ..... D26/2

\* cited by examiner

*Primary Examiner* — Marcus Jackson

(74) *Attorney, Agent, or Firm* — Park, Vaughan, Fleming &  
Dowler, LLP

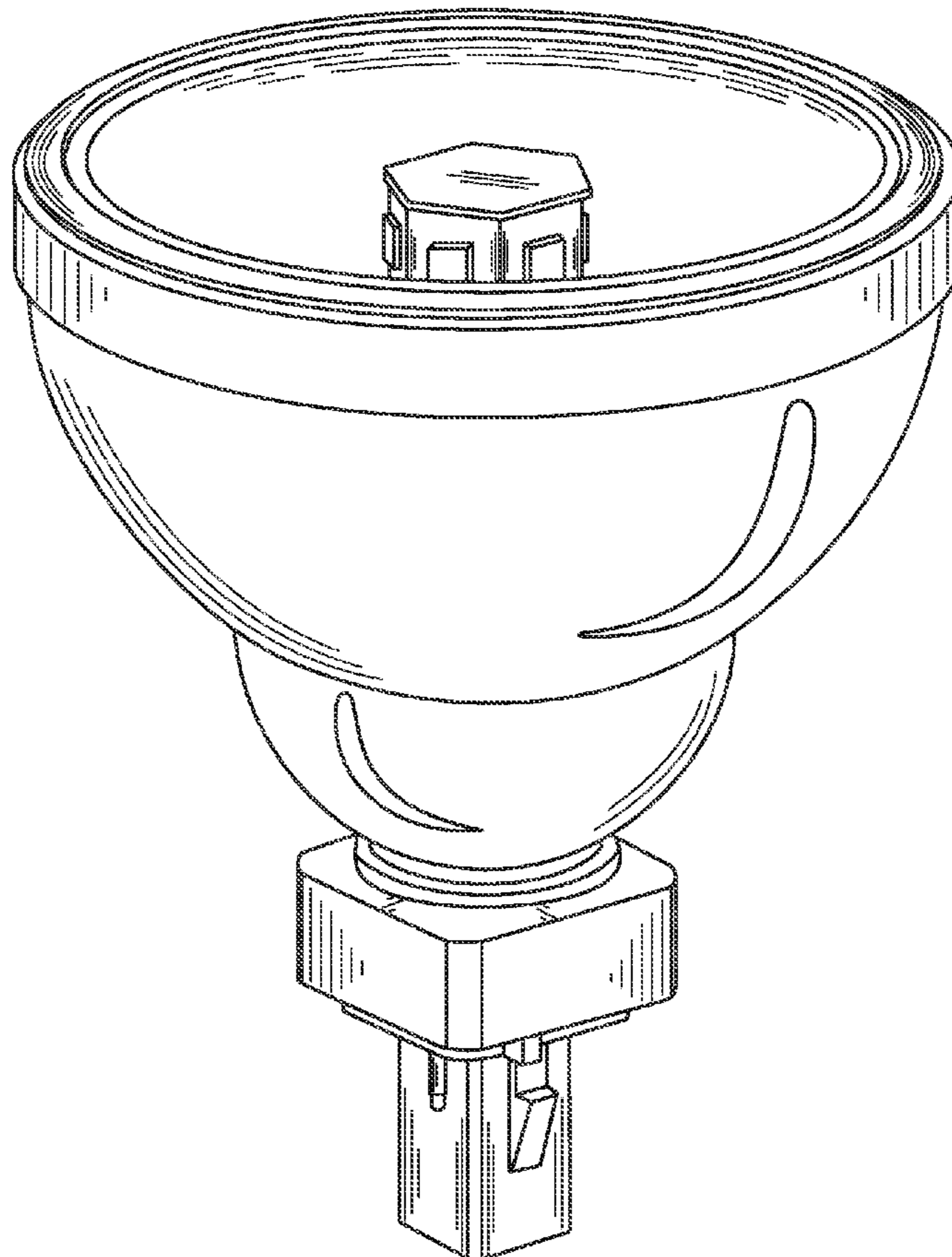
(57) **CLAIM**

The ornamental design for a light fixture, as shown and described.

**DESCRIPTION**

FIG. 1 is a perspective view of a light fixture showing our new design thereof;  
FIG. 2 is an exploded perspective view thereof;  
FIG. 3 is a front elevational view thereof;  
FIG. 4 is a side elevational view thereof;  
FIG. 5 is a top plan view thereof; and,  
FIG. 6 is a side elevational view thereof, with the lens on the top portion.

**1 Claim, 6 Drawing Sheets**



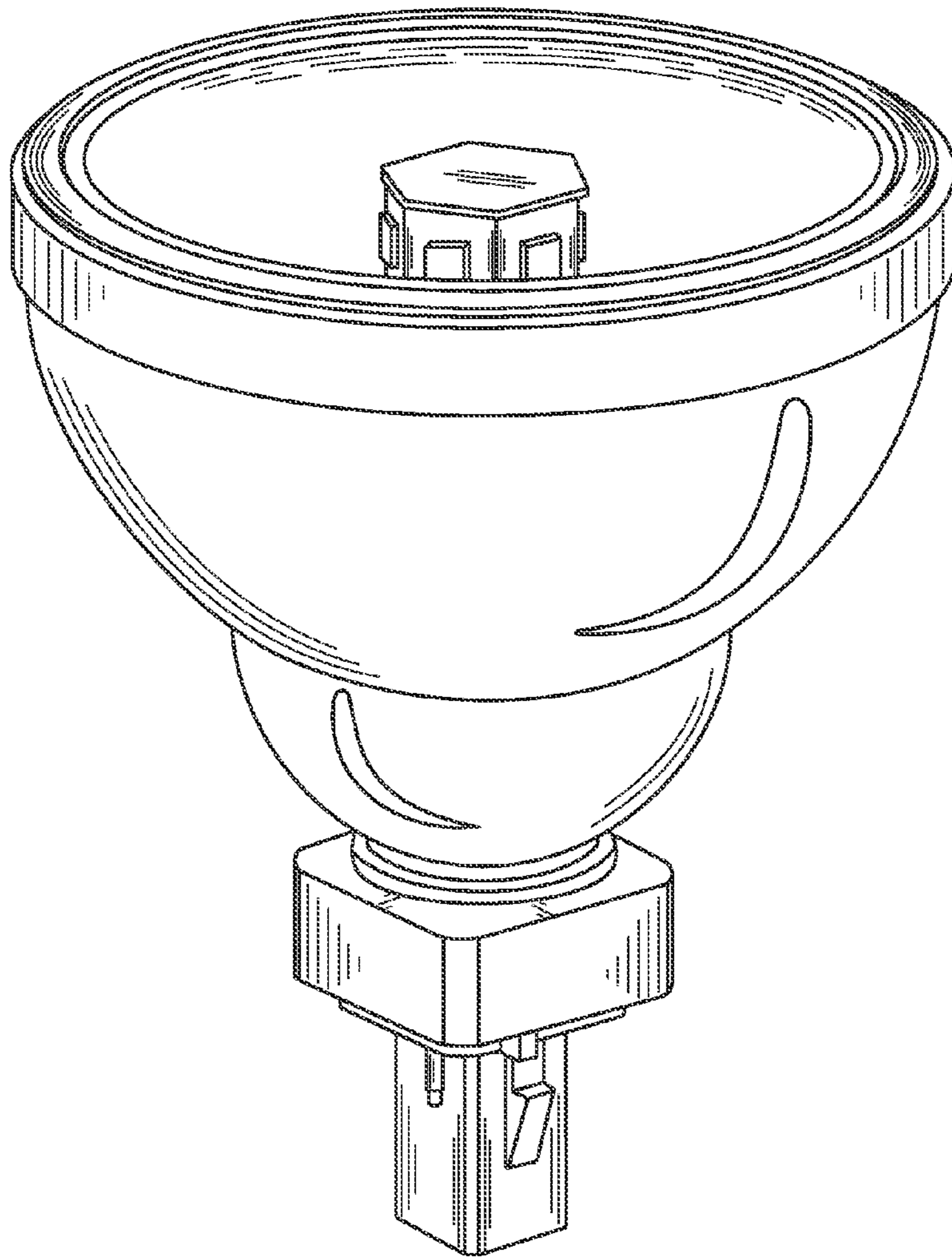


FIG. 1

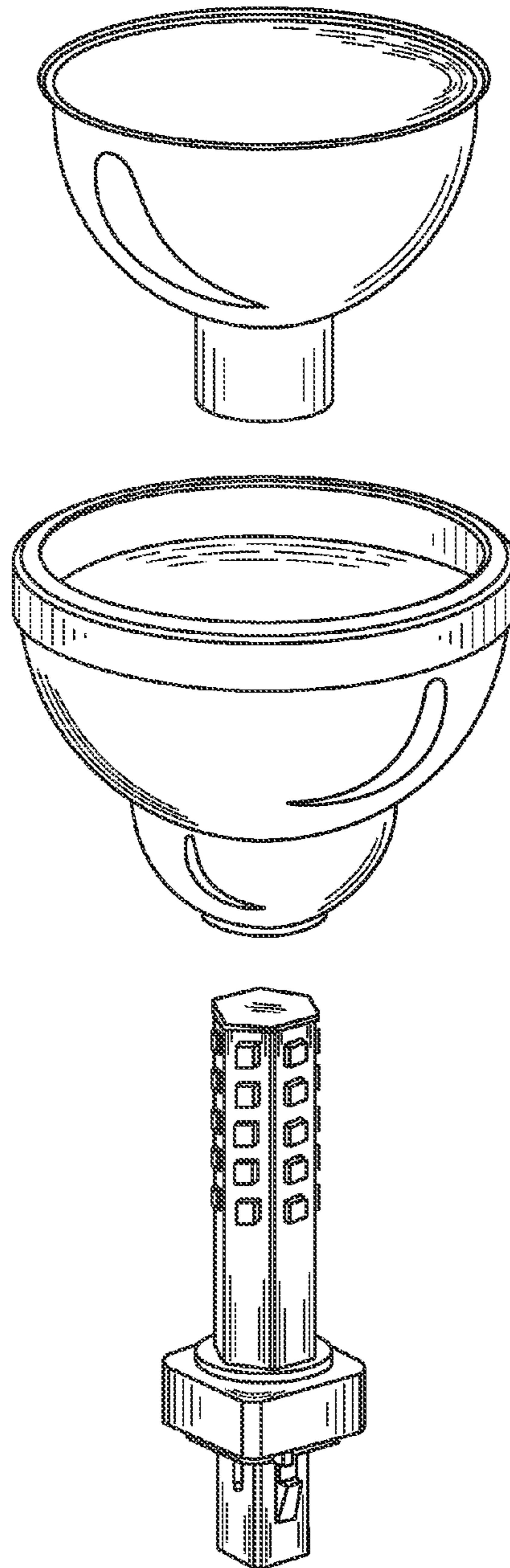


FIG. 2

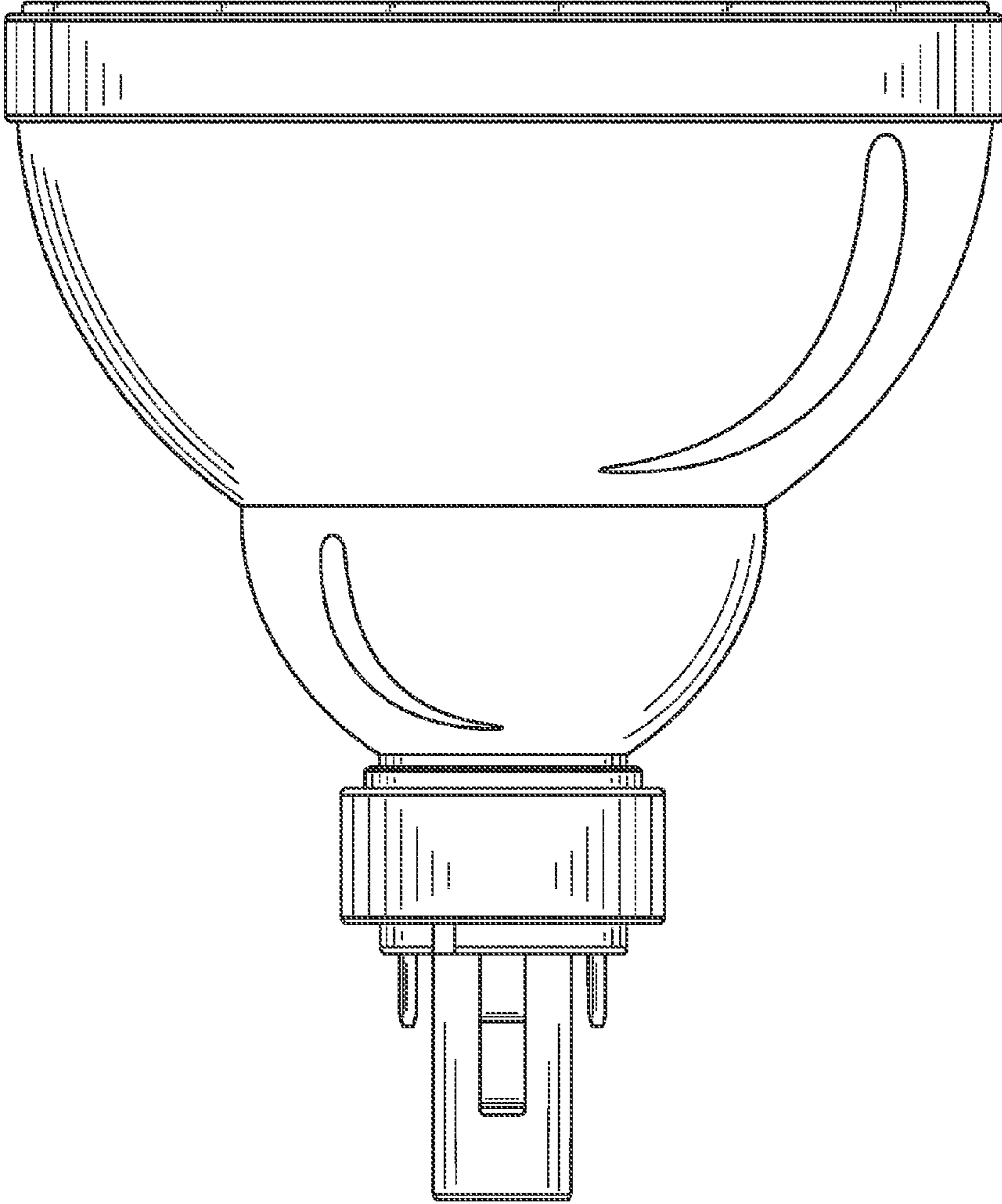


FIG. 3

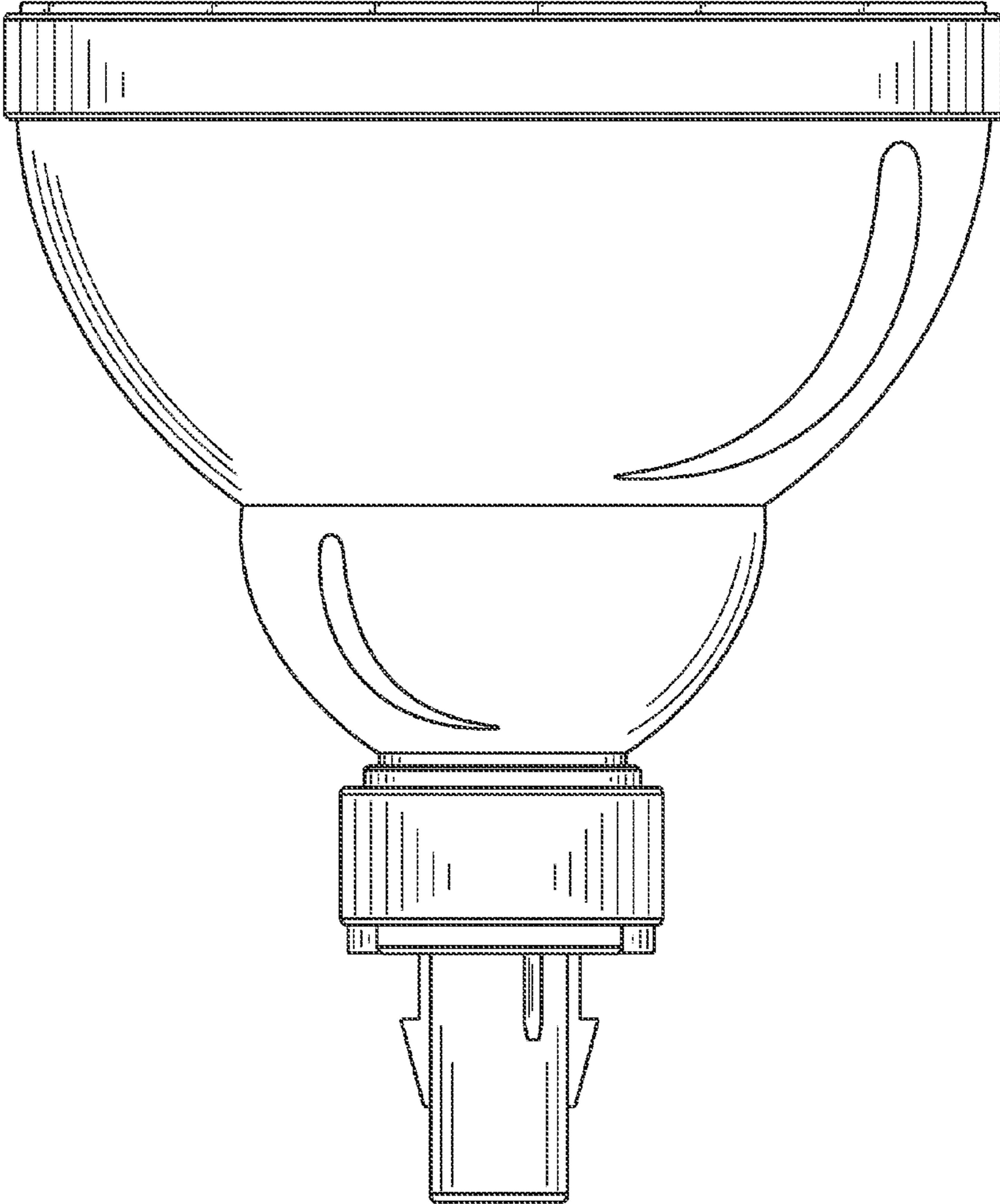


FIG. 4

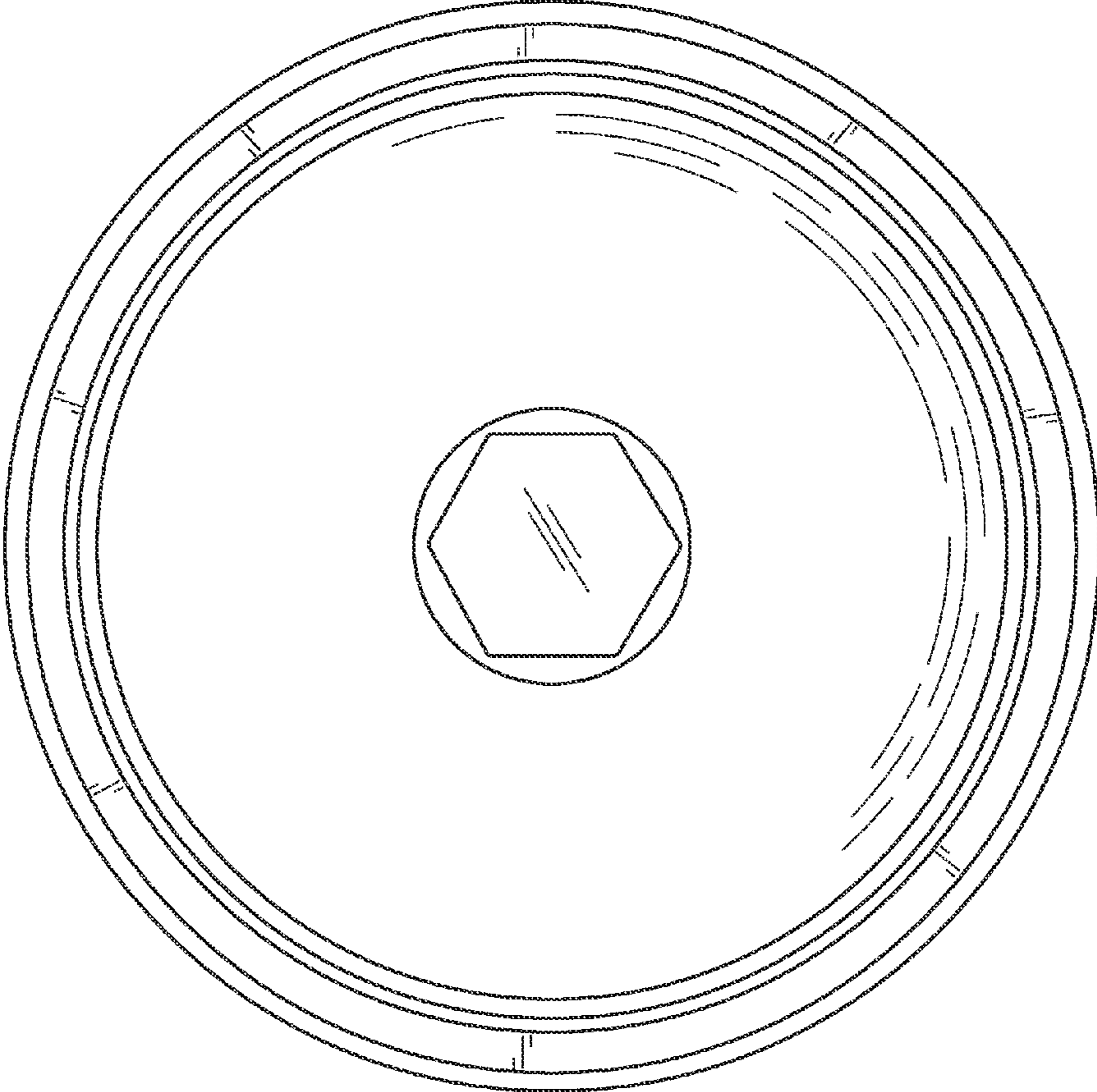


FIG. 5

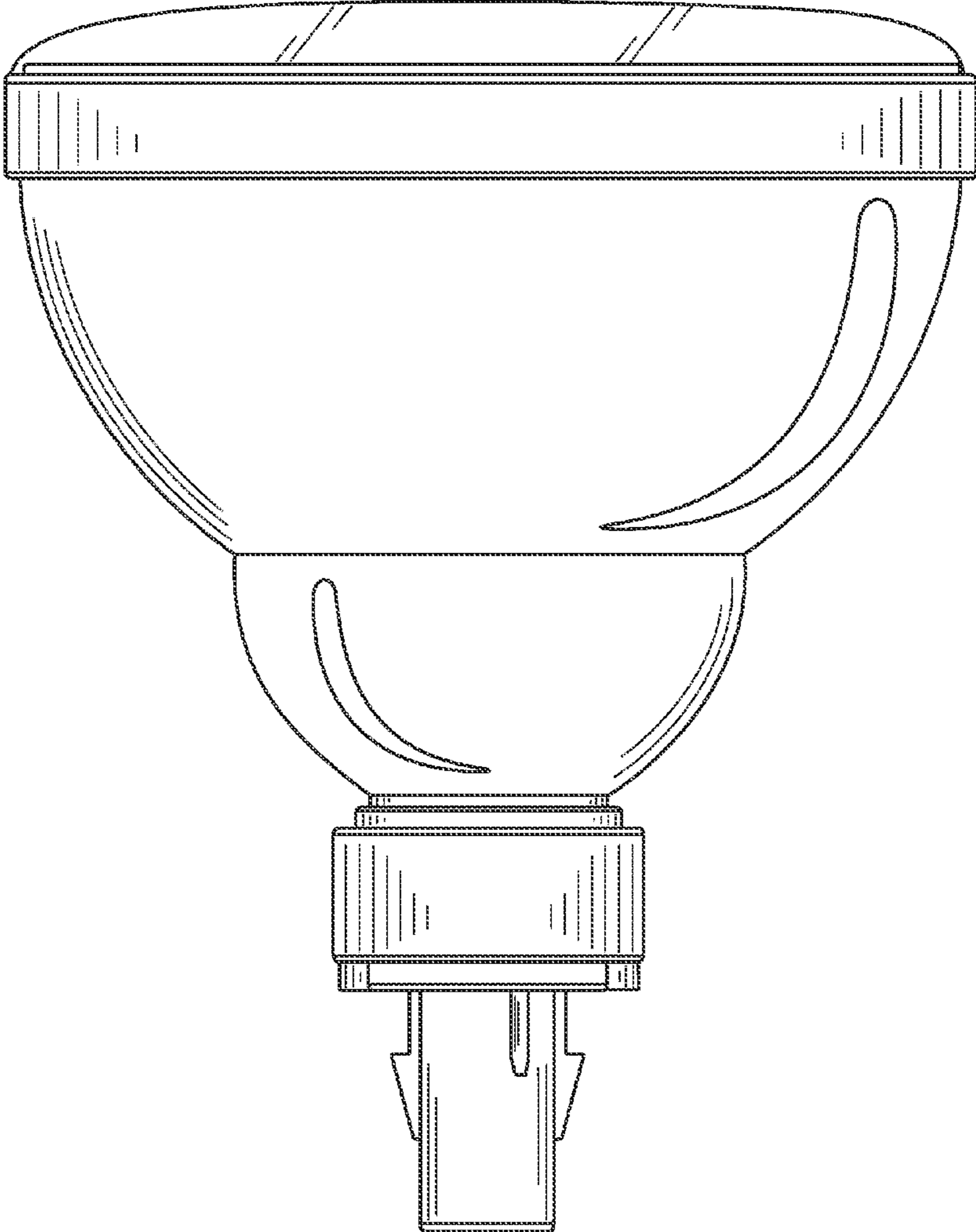


FIG. 6