



US00D687166S

(12) **United States Design Patent**
Dyson

(10) **Patent No.:** **US D687,166 S**
(45) **Date of Patent:** **** Jul. 30, 2013**

(54) **INTERLOCKING CONCRETE MASONRY BLOCK**

(75) Inventor: **John Kenneth Dyson**, Victoria (AU)

(73) Assignee: **ADBRI Mansory Pty Ltd**, South Australia (AU)

(**) Term: **14 Years**

(21) Appl. No.: **29/424,405**

(22) Filed: **Jun. 12, 2012**

(30) **Foreign Application Priority Data**

Dec. 12, 2011 (AU) 201115755

(51) **LOC (9) Cl.** **25-01**

(52) **U.S. Cl.**
USPC **D25/113**

(58) **Field of Classification Search**
USPC D25/102-118, 136, 138, 140, 151,
D25/152, 153, 156-162, 164; D21/484-491,
D21/499-504; 405/16, 284, 286; 52/503-505,
52/574, 575, 596-612; 404/27-42

See application file for complete search history.

(56) **References Cited**

U.S. PATENT DOCUMENTS

2,684,589	A *	7/1954	Perreton	52/591.2
D333,354	S *	2/1993	Adams	D25/118
D502,554	S *	3/2005	Luaces	D25/118
D662,612	S *	6/2012	Dyson	D25/113
2010/0018150	A1 *	1/2010	Azar	52/606
2012/0159889	A1 *	6/2012	Dyson	52/503
2012/0167516	A1 *	7/2012	Dyson	52/578

* cited by examiner

Primary Examiner — Anhdao Doan

(74) *Attorney, Agent, or Firm* — Defillo & Associates, Inc; Evelyn A. Defillo

(57) **CLAIM**

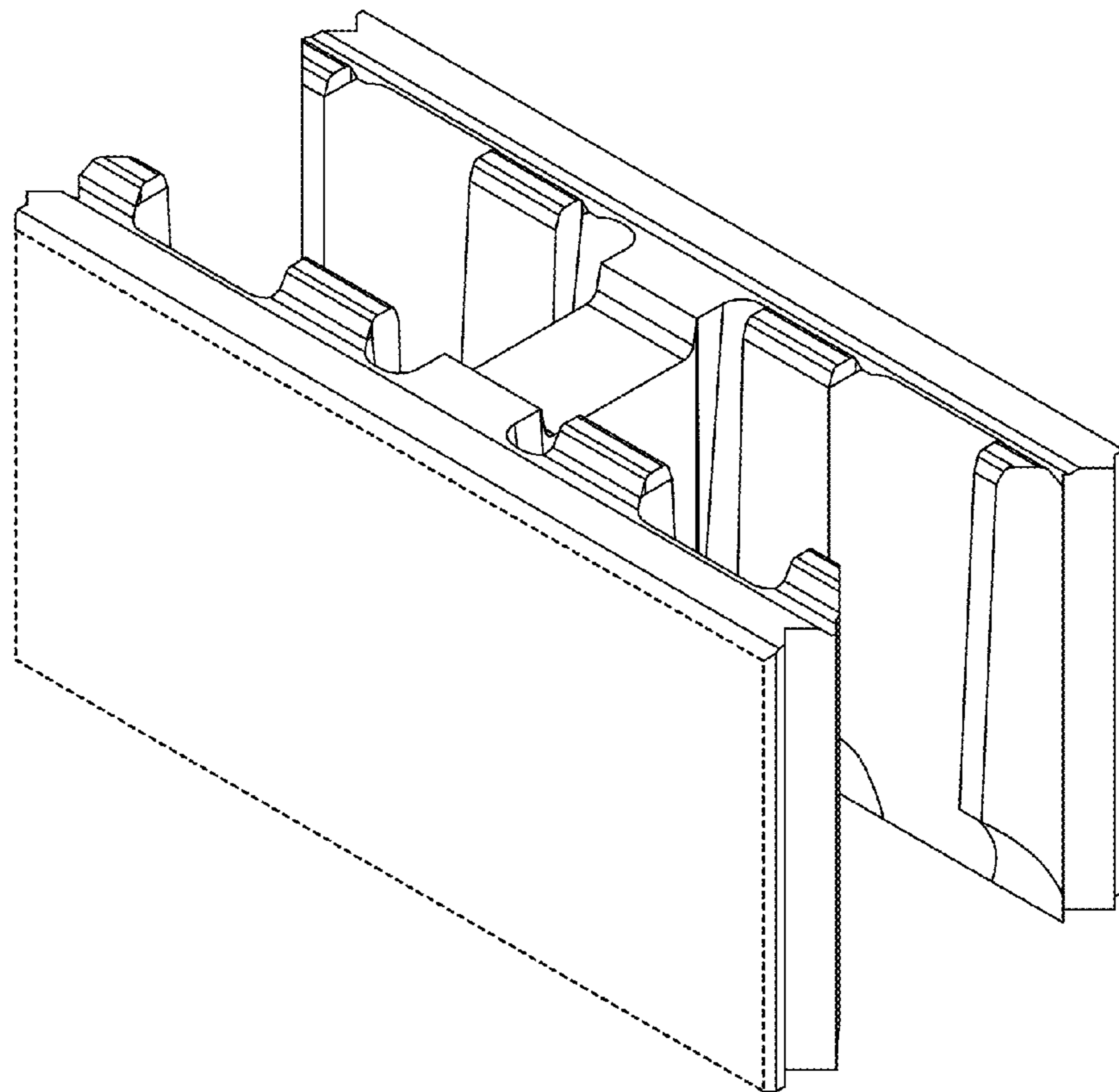
I claim the ornamental design for an interlocking concrete masonry block, as shown and described.

DESCRIPTION

FIG. 1 is a perspective view of an interlocking concrete masonry block showing my new design; FIG. 2 is an end view thereof; FIG. 3 is a front view thereof; and, FIG. 4 is a top view thereof.

The broken lines in the drawing views are included for the purpose of illustrating a portion of the interlocking concrete masonry block that forms no part of the claimed design.

1 Claim, 2 Drawing Sheets



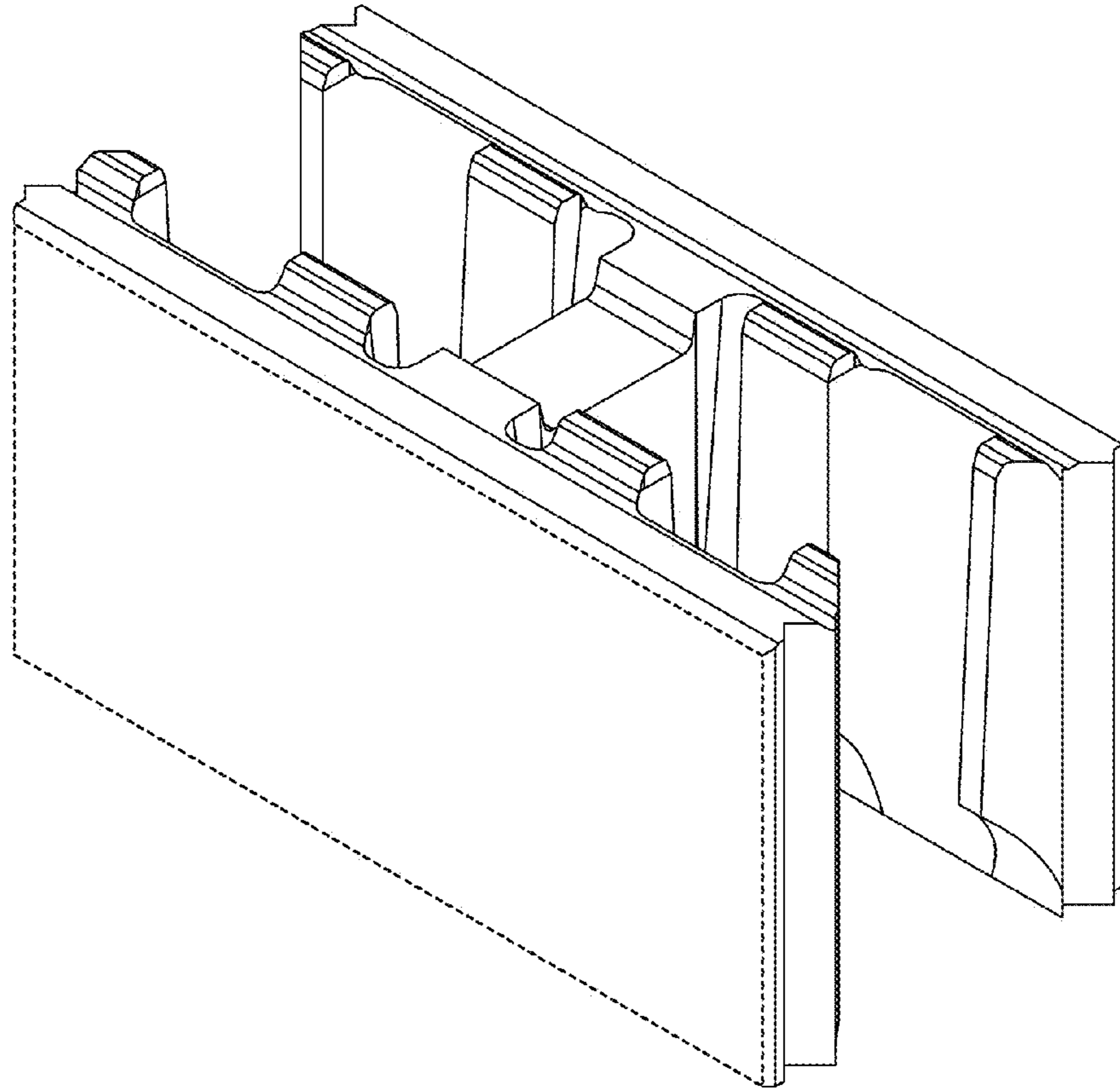


Figure 1

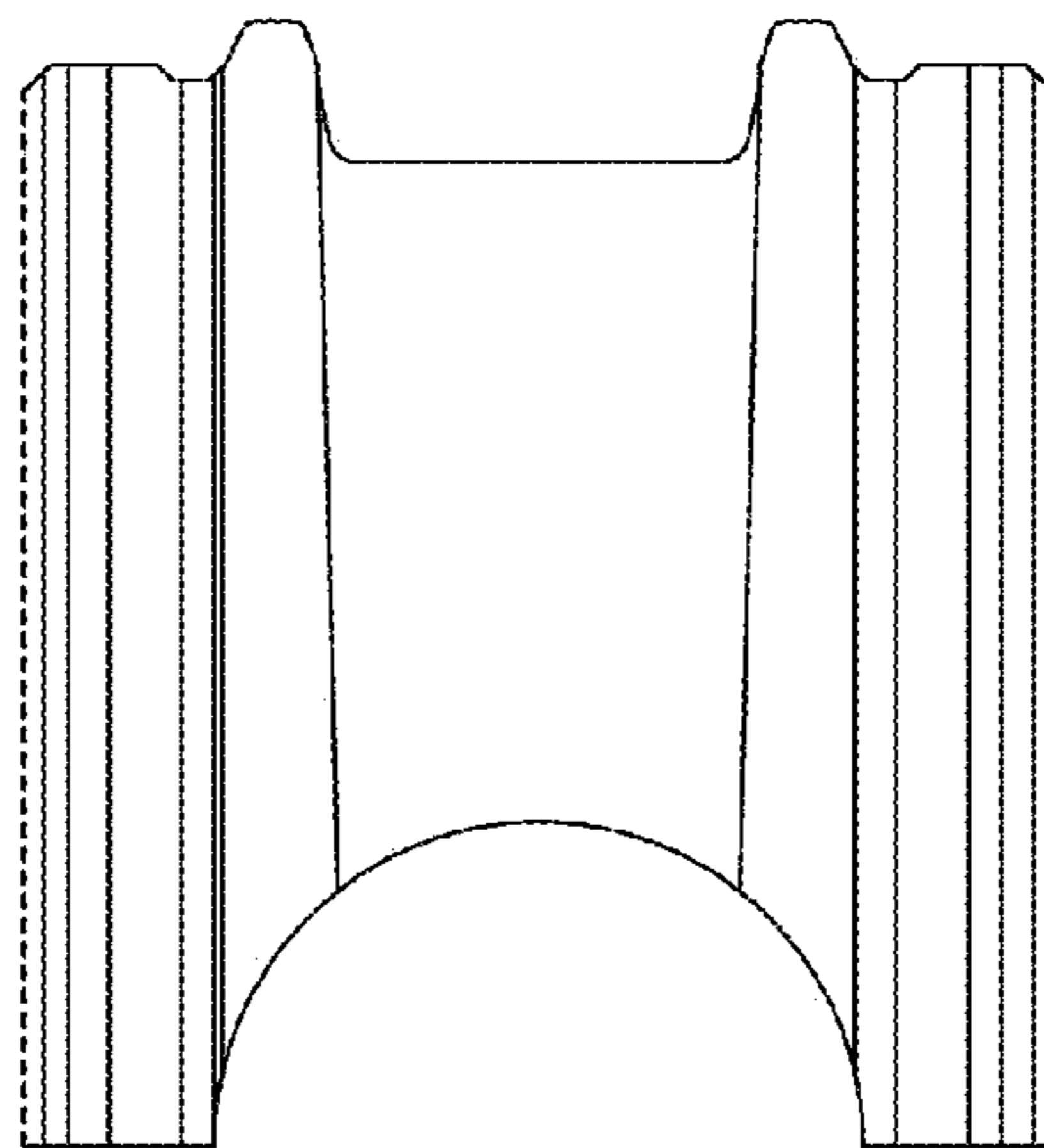


Figure 2

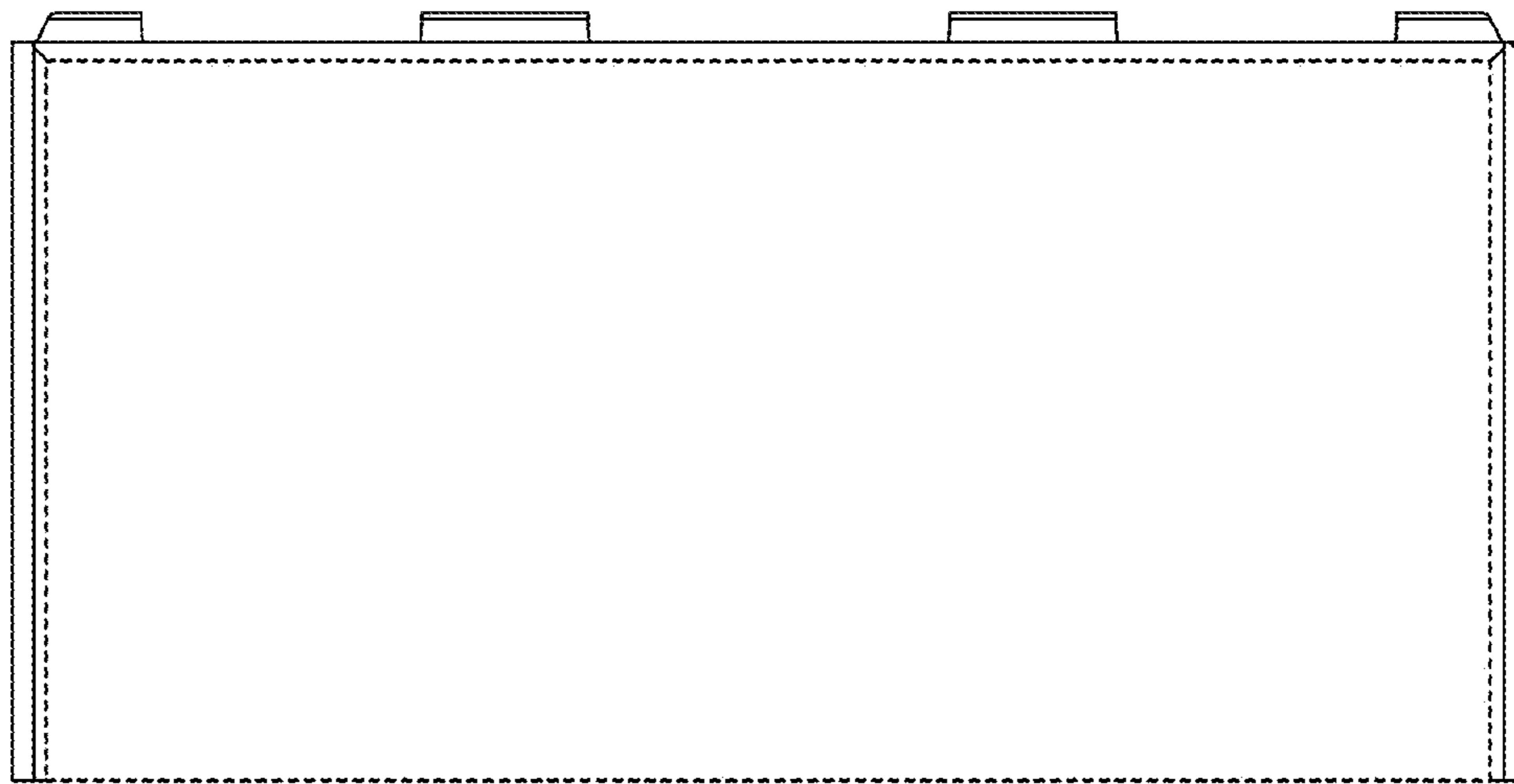


Figure 3

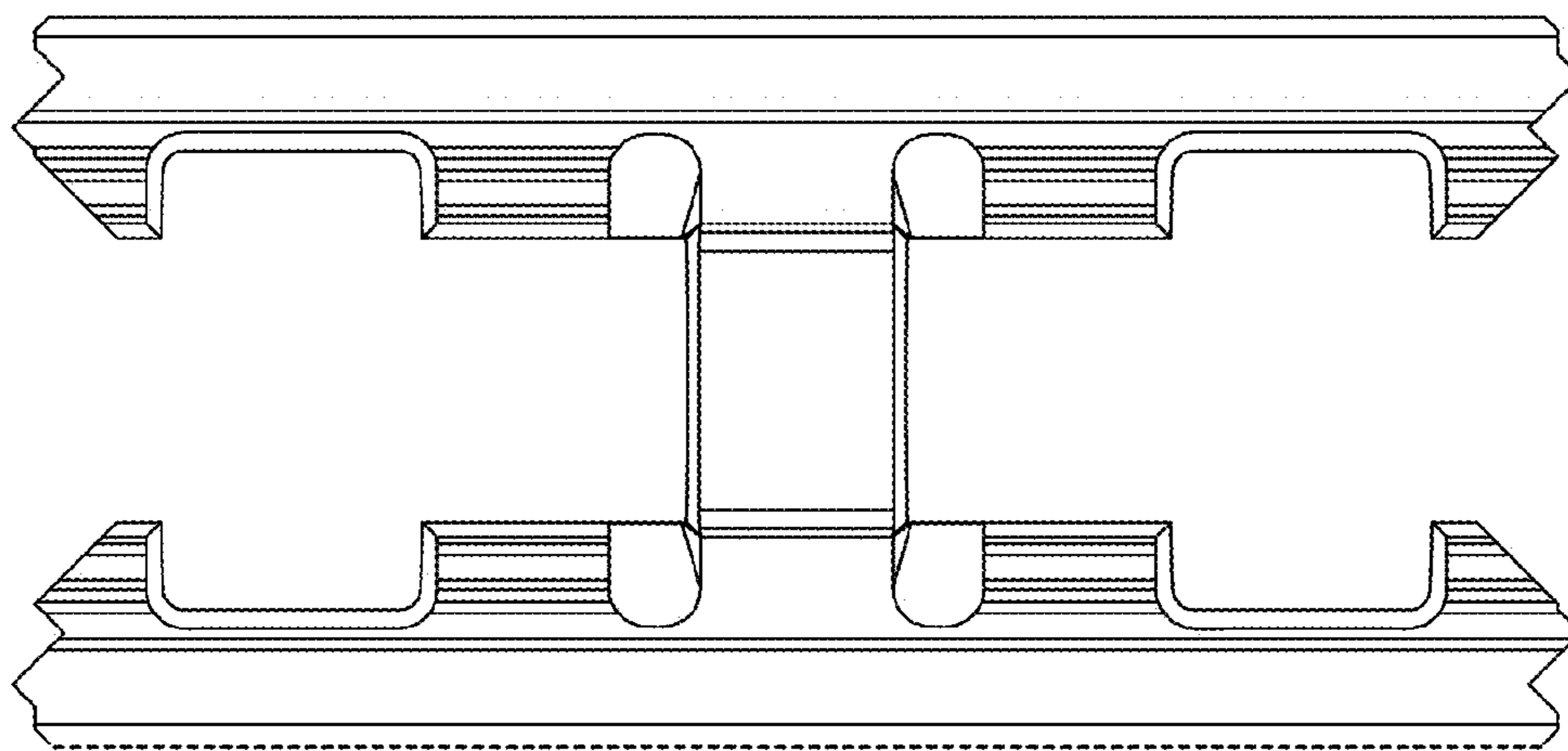


Figure 4