



US00D687162S

(12) **United States Design Patent**
Prince

(10) **Patent No.:** **US D687,162 S**

(45) **Date of Patent:** **** Jul. 30, 2013**

(54) **LOADER FOR A MEDICATION ORGANIZER**

(76) Inventor: **Paul R. Prince**, Temecula, CA (US)

(**) Term: **14 Years**

(21) Appl. No.: **29/420,501**

(22) Filed: **May 9, 2012**

(51) **LOC (9) Cl.** **24-02**

(52) **U.S. Cl.**
USPC **D24/227**

(58) **Field of Classification Search**
USPC D24/232, 231, 100-104, 227, 229,
D24/226, 127-128, 185; D3/203.1, 203.2,
D3/203.3; D6/436, 467, 476, 408, 475, 512,
D6/515; D9/737, 756, 759, 747, 418, 421,
D9/432; 414/675; 206/531, 538, 539, 533,
206/536, 540; 221/49, 67-68, 45, 25, 265-266
See application file for complete search history.

(56) **References Cited**

U.S. PATENT DOCUMENTS

4,047,620	A	*	9/1977	Deining	414/675
D334,896	S	*	4/1993	Shimizu et al.	D10/97
D356,904	S	*	4/1995	Wolff	D24/226
D401,690	S	*	11/1998	Simm	D24/131
D545,854	S	*	7/2007	Sato et al.	D15/145
D613,875	S	*	4/2010	Mcdevitt	D24/227
D620,964	S	*	8/2010	Yuyama et al.	D15/145
D632,799	S	*	2/2011	Canner et al.	D24/216
D663,436	S	*	7/2012	Rousselin	D24/229

* cited by examiner

Primary Examiner — T. Chase Nelson

Assistant Examiner — Mark Cavanna

(74) *Attorney, Agent, or Firm* — QuickPatents; Kevin Prince

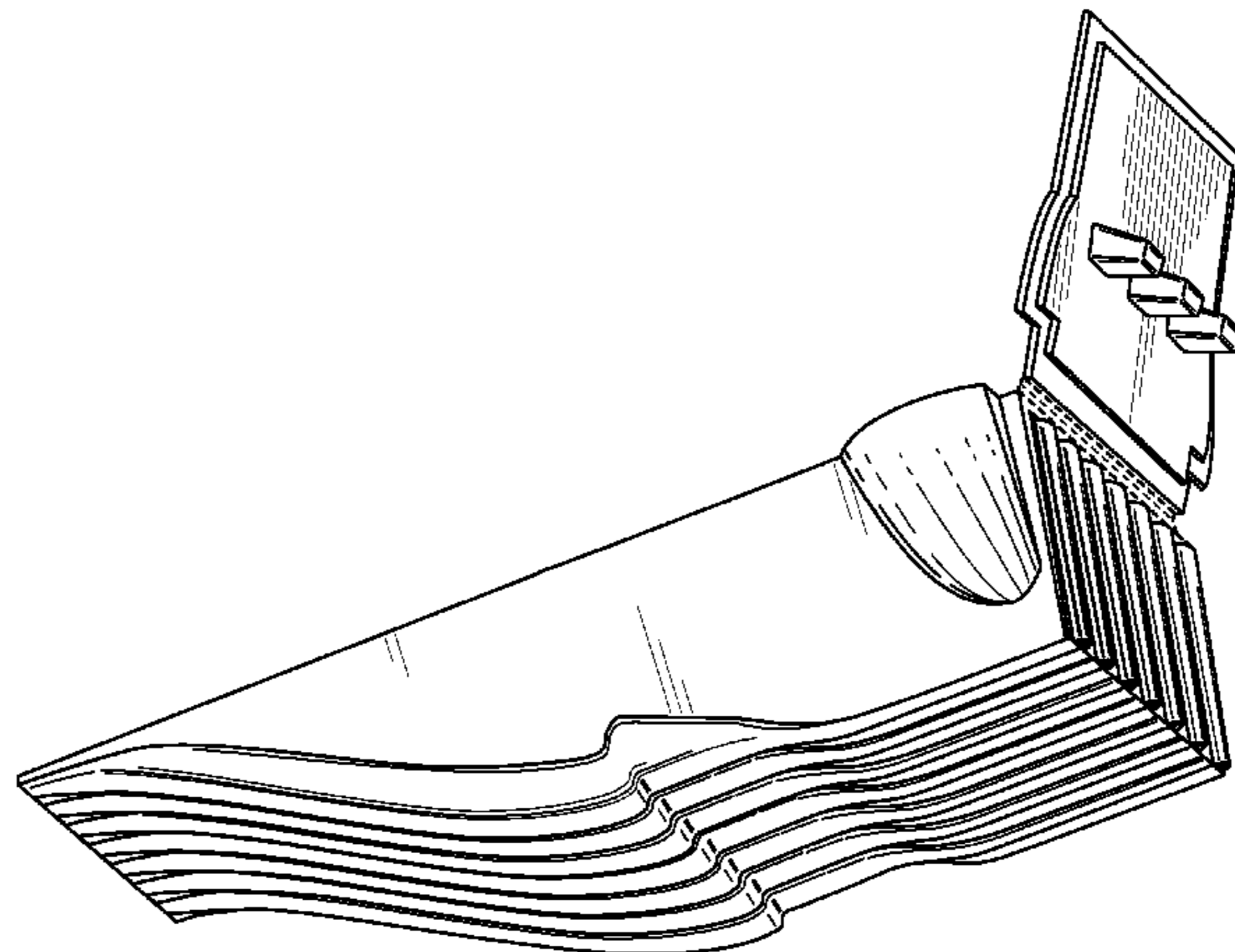
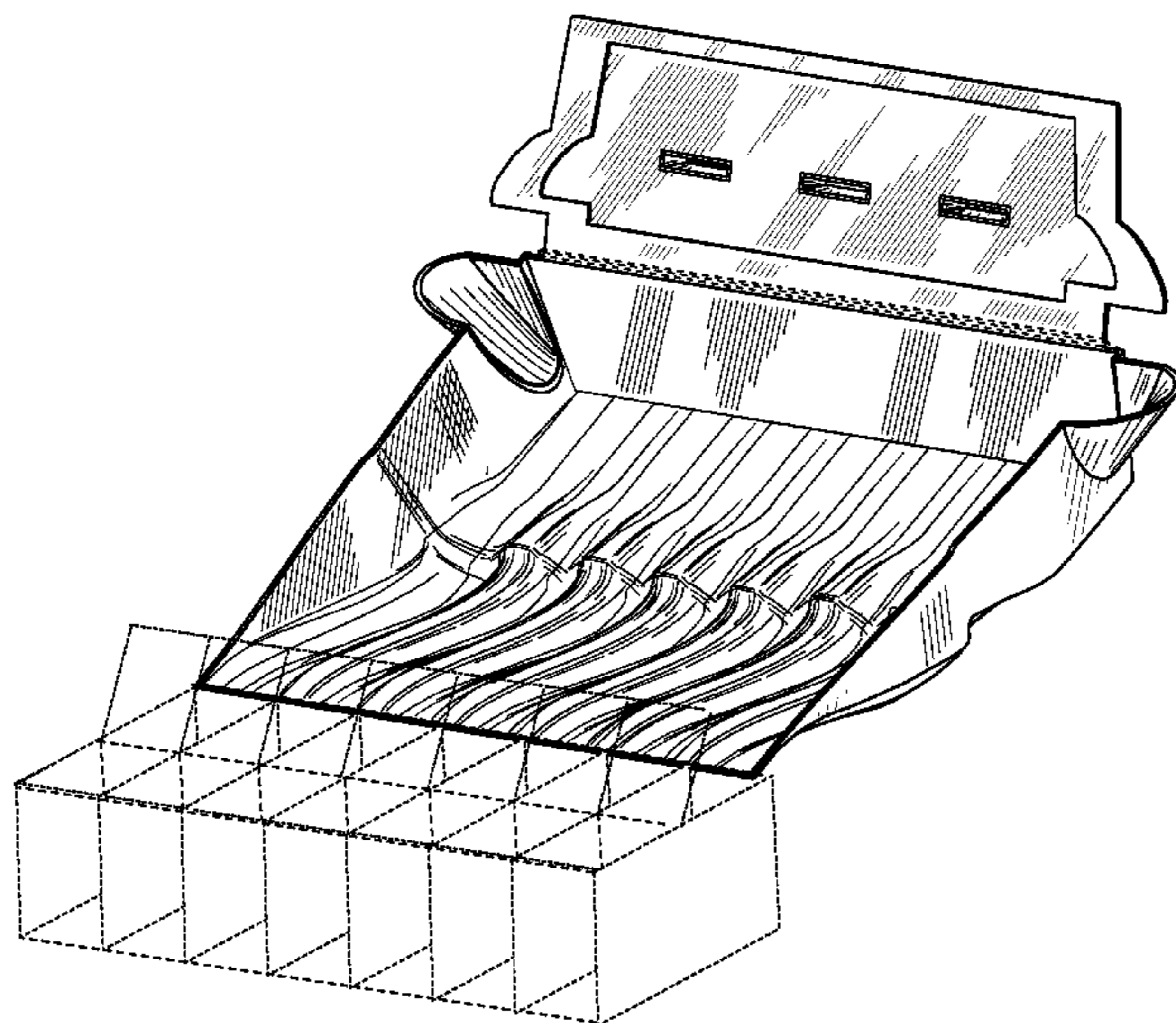
(57) **CLAIM**

I claim the ornamental design for a loader for a medication organizer, as shown and described.

DESCRIPTION

FIG. 1 is a front perspective view of a loader for a medication organizer, showing my new design;
 FIG. 2 is a front elevational view thereof;
 FIG. 3 is a rear elevational view thereof;
 FIG. 4 is a left-side elevational view thereof, the right-side elevational view being a mirror image thereof;
 FIG. 5 is a top plan view thereof;
 FIG. 6 is a bottom plan view thereof;
 FIG. 7 is a rear perspective view thereof;
 FIG. 8 is a cross-sectional view thereof, taken generally along lines 8--8 of FIG. 5; and,
 FIG. 9 is a cross-sectional view thereof, taken generally along lines 9--9 of FIG. 6.
 The broken lines are included for the purpose of illustrating environment and portions of the loader for a medication organizer that form no part of the claimed design.

1 Claim, 7 Drawing Sheets



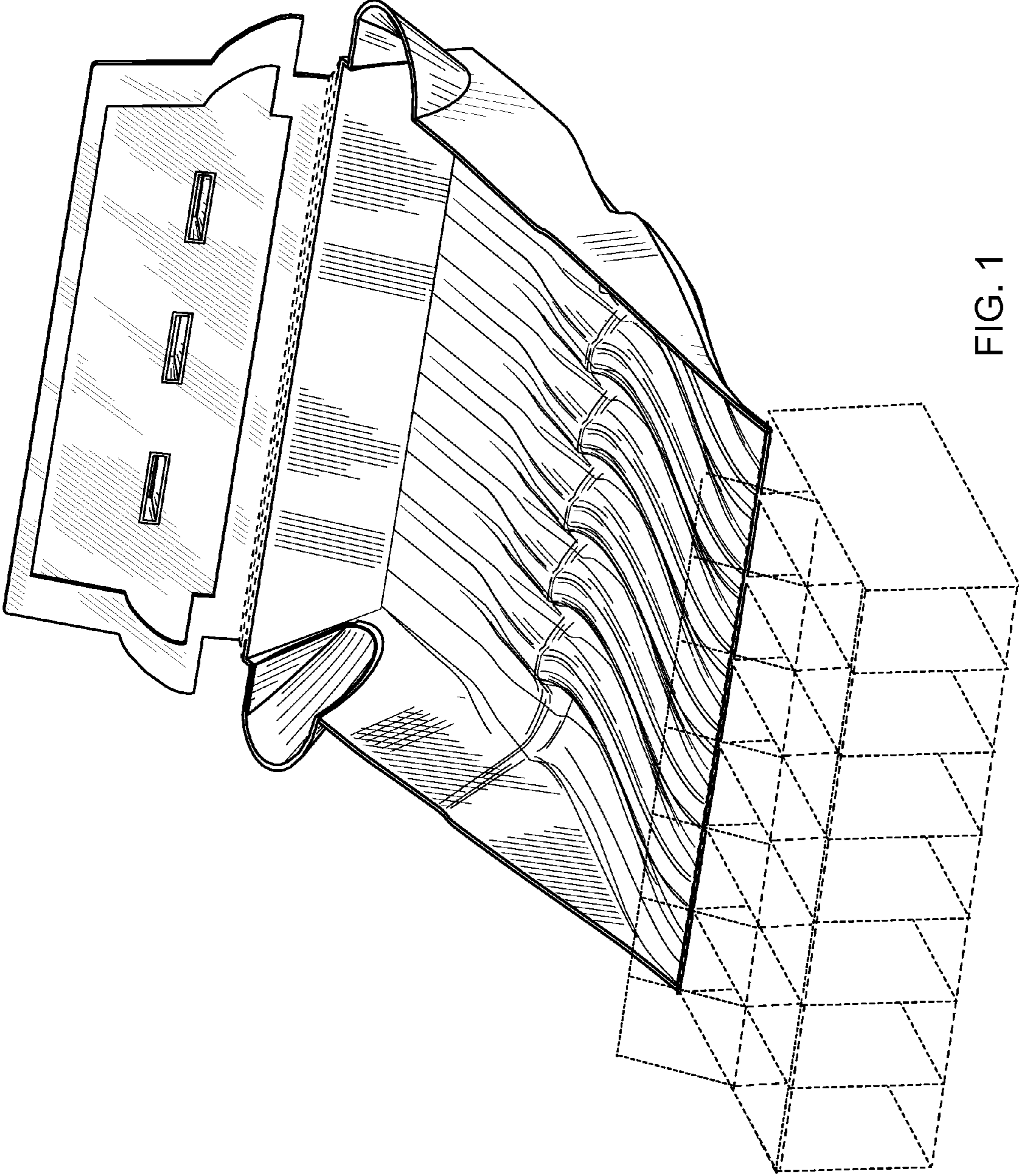


FIG. 1

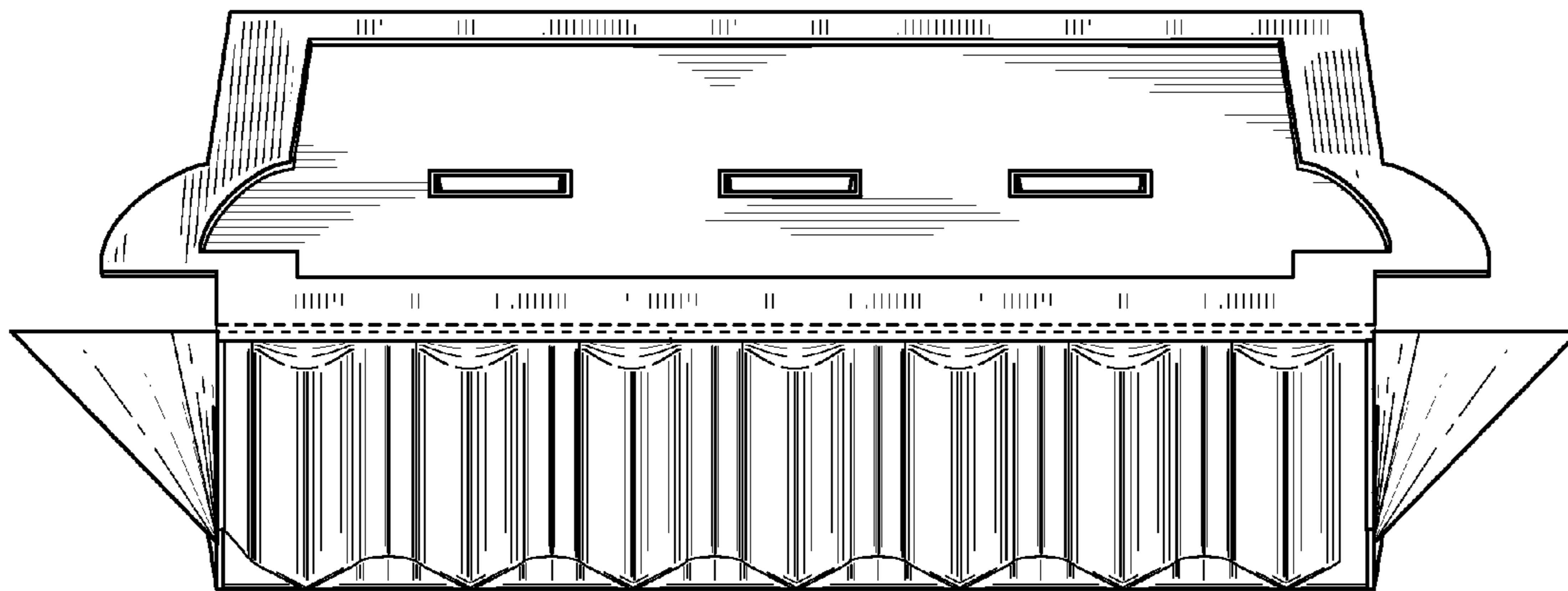


FIG. 2

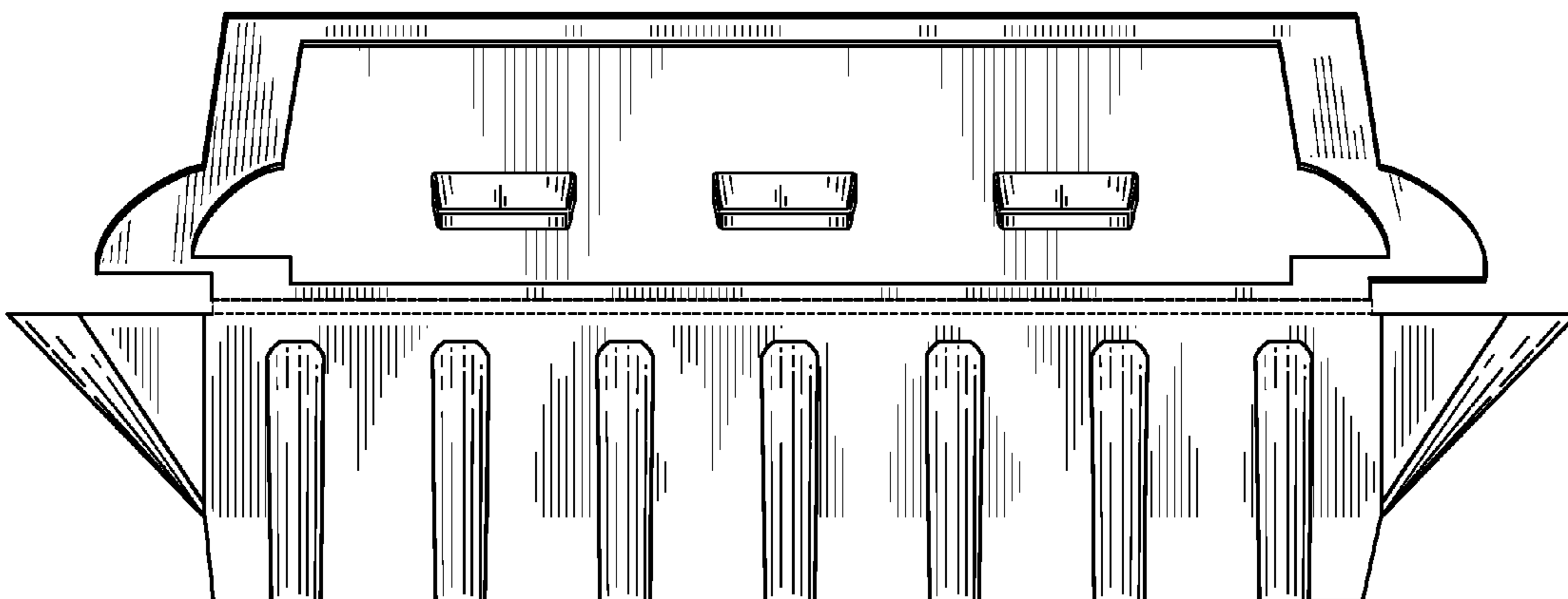


FIG. 3

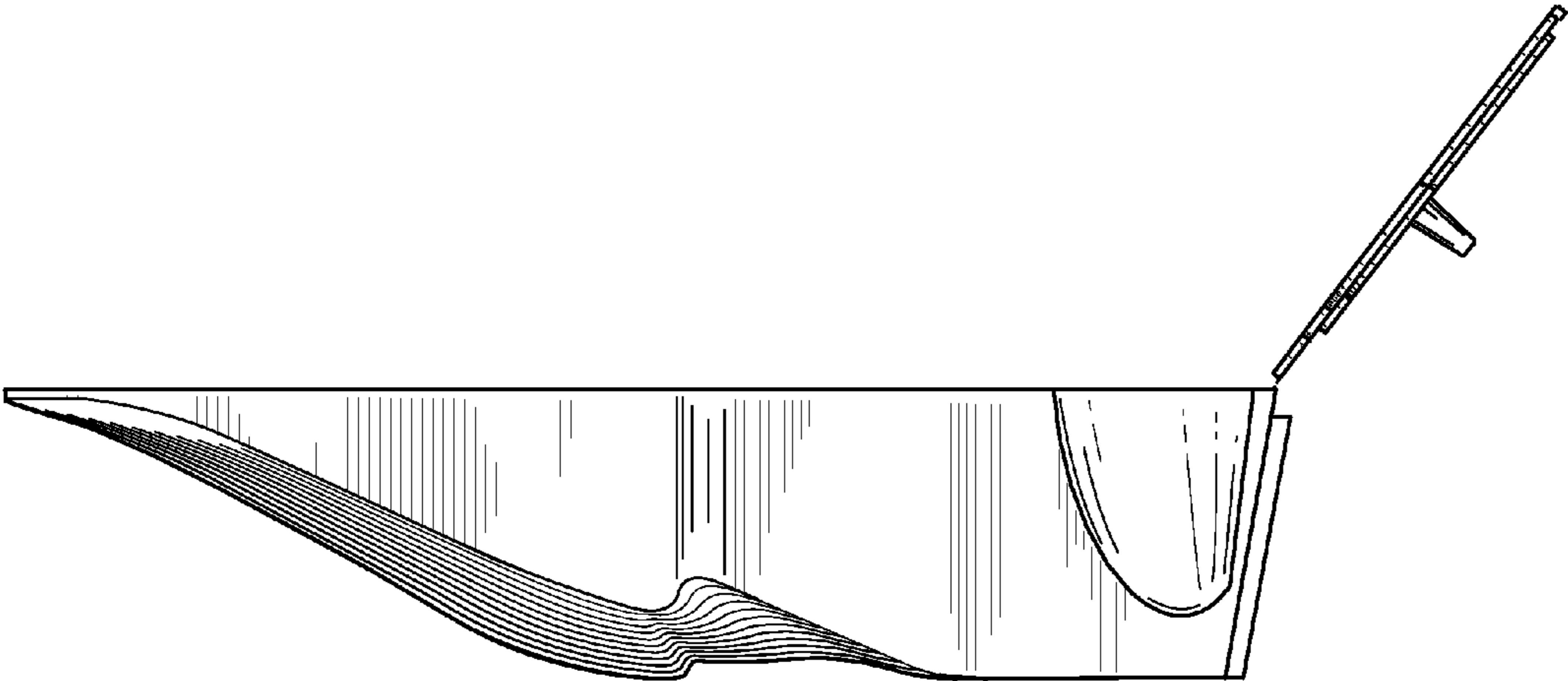


FIG. 4

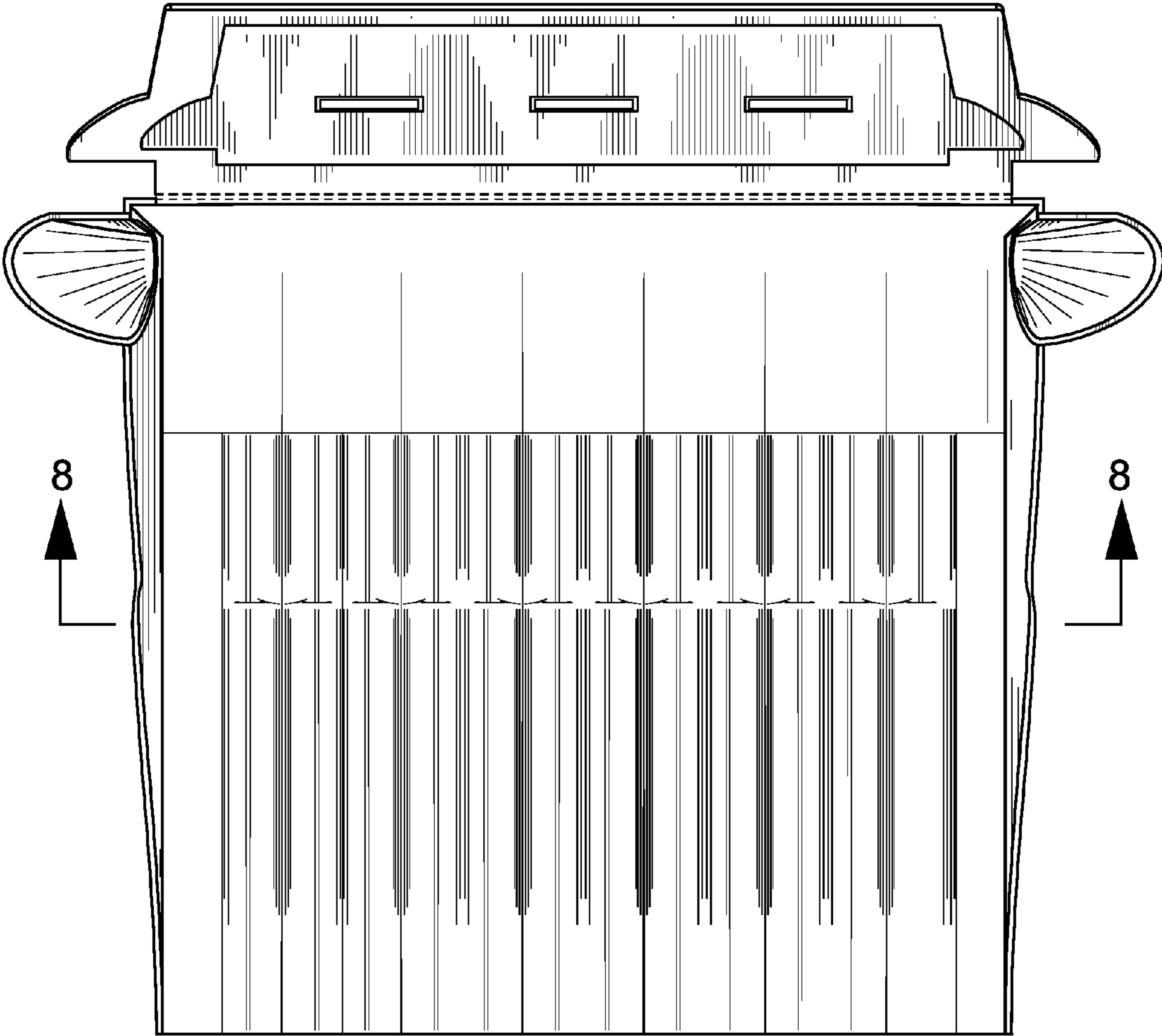


FIG. 5

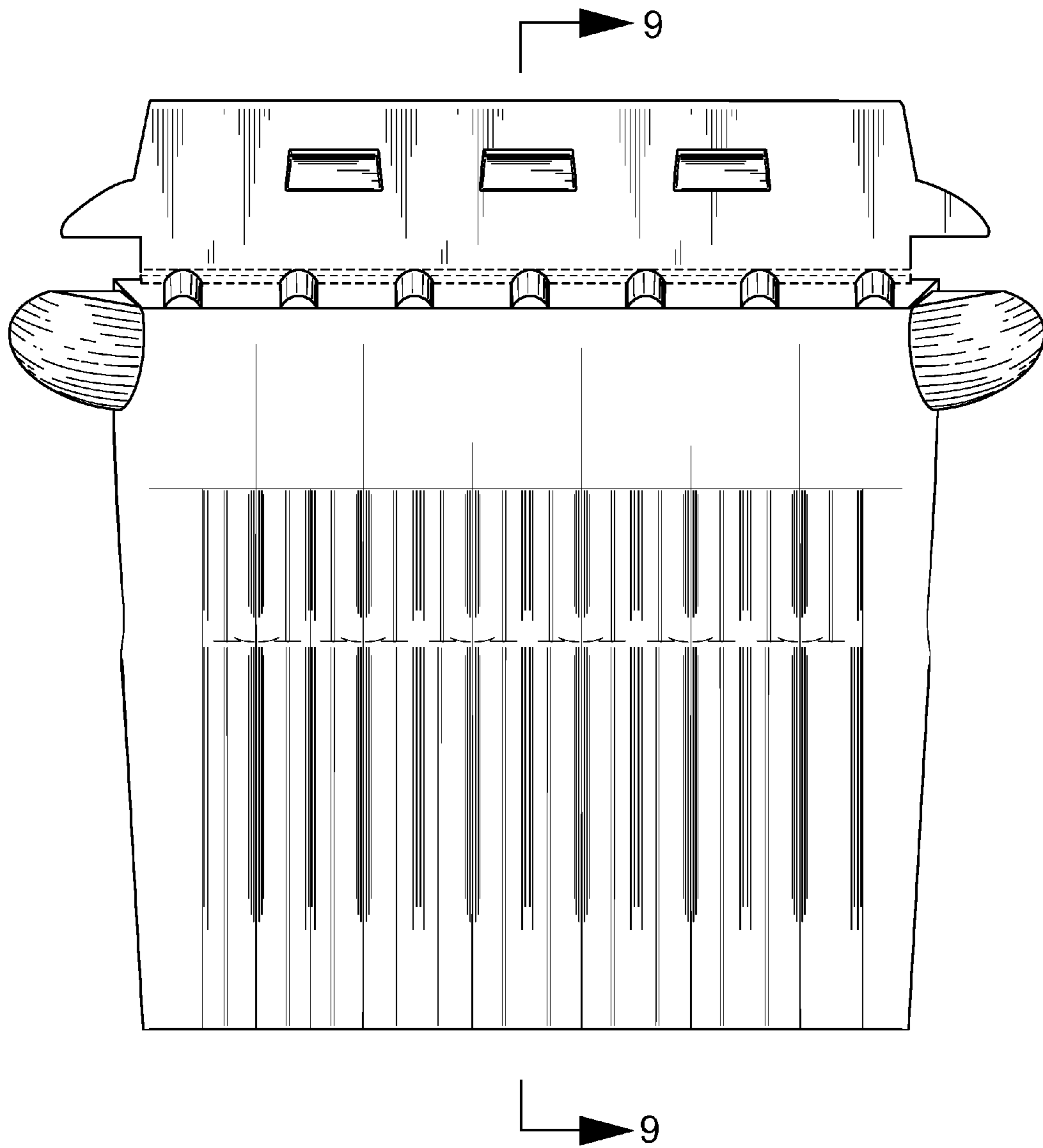


FIG. 6

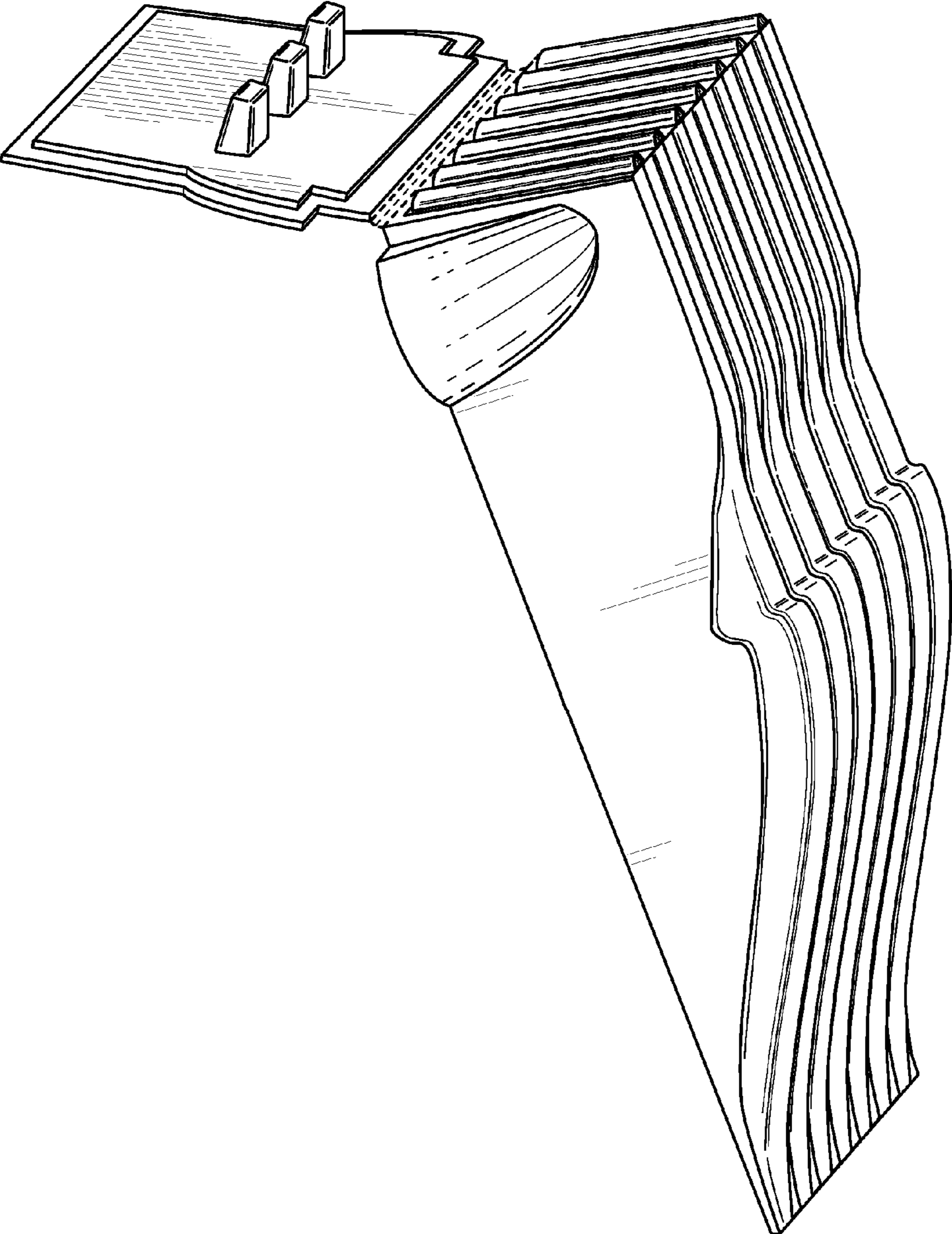


FIG. 7

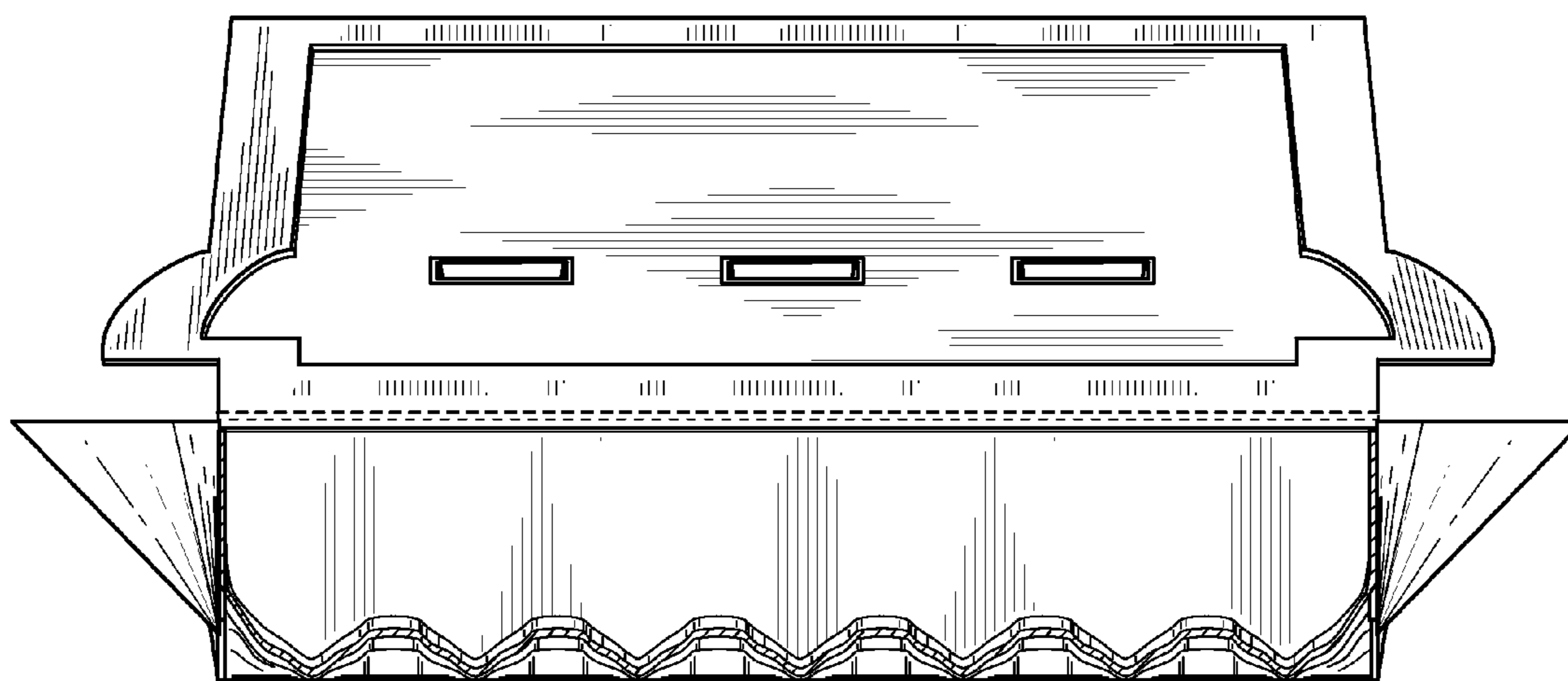


FIG. 8

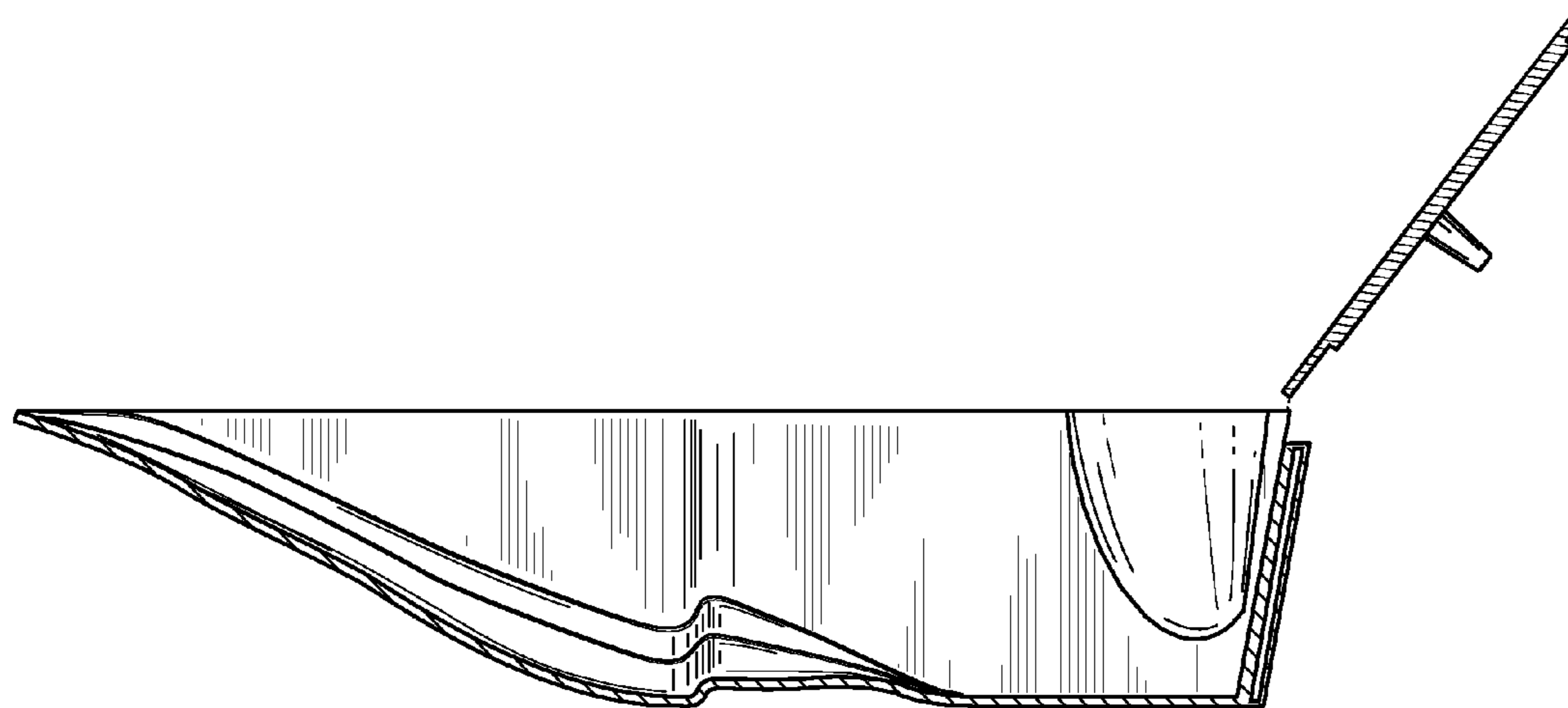


FIG. 9