



US00D687158S

(12) **United States Design Patent**
Chen

(10) **Patent No.:** **US D687,158 S**
(45) **Date of Patent:** **** Jul. 30, 2013**

(54) **MESSAGE SEAT**

(71) Applicant: **Jue-Yao Chen**, Erlin Township,
Changhua County (TW)

(72) Inventor: **Jue-Yao Chen**, Erlin Township,
Changhua County (TW)

(73) Assignee: **Listore International Co., Ltd.**,
Changhua County (TW)

(**) Term: **14 Years**

(21) Appl. No.: **29/439,147**

(22) Filed: **Dec. 7, 2012**

(51) **LOC (9) Cl.** **28-03**

(52) **U.S. Cl.**
USPC **D24/215**

(58) **Field of Classification Search**
USPC D6/364, 365, 500-502; 601/114,
601/120, 121, 124, 125, 130, 131, 134, 135,
601/136, 137; D24/200, 211, 212, 213, 214,
D24/215
See application file for complete search history.

(56) **References Cited**

U.S. PATENT DOCUMENTS

5,297,848 A * 3/1994 Grinnell 297/219.1
5,314,235 A * 5/1994 Johnson 297/284.5

D379,518 S * 5/1997 Bergman et al. D24/211
5,836,900 A * 11/1998 Leventhal 601/57
D413,985 S * 9/1999 Martin et al. D24/211
6,212,719 B1 * 4/2001 Thomas et al. 5/713
7,059,678 B1 * 6/2006 Taylor 297/284.6
D639,971 S * 6/2011 Schwartz et al. D24/200

* cited by examiner

Primary Examiner — Sandra Snapp

(74) *Attorney, Agent, or Firm* — Alan Kamrath; Kamrath IP
Lawfirm, P.A.

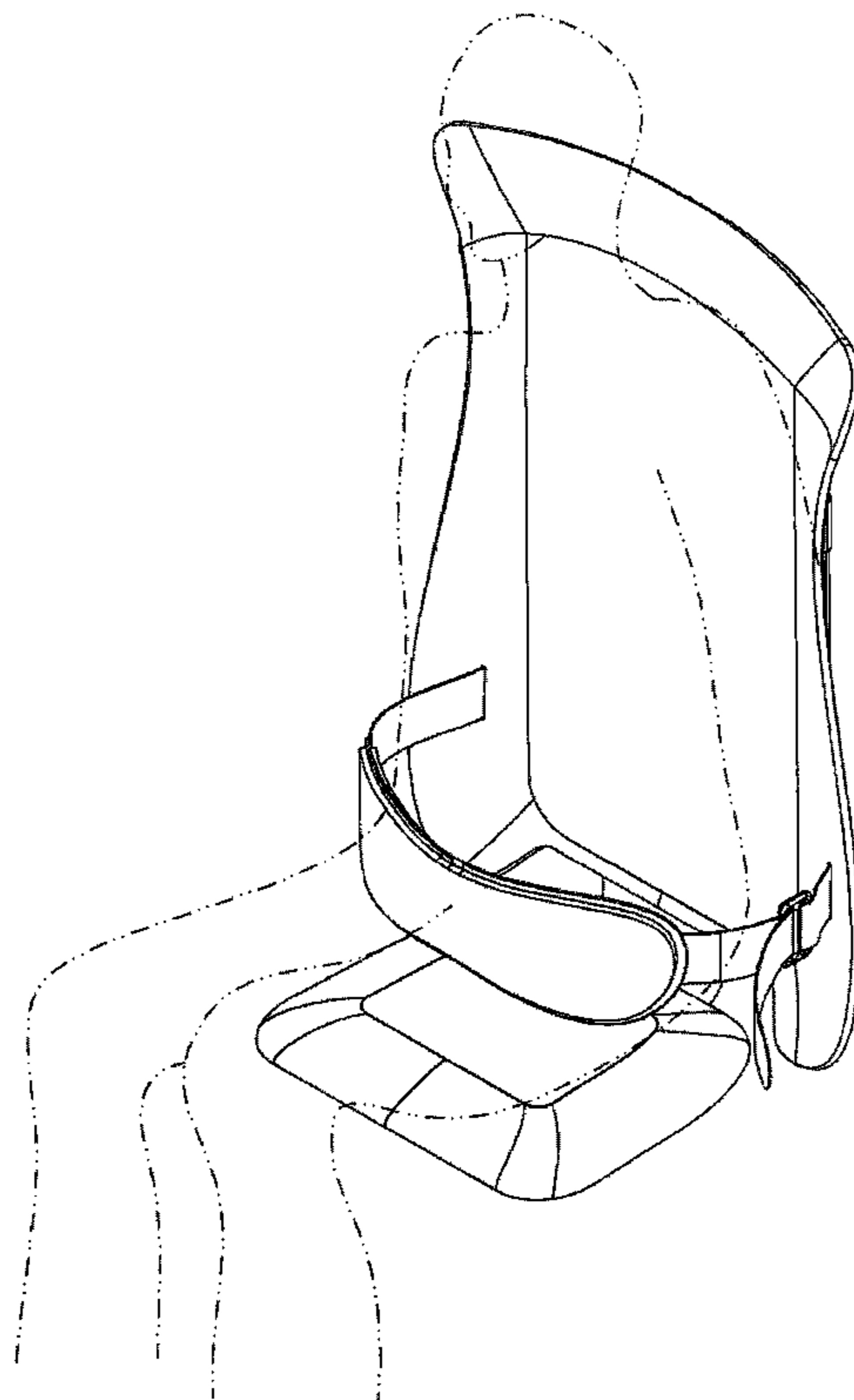
(57) **CLAIM**

The ornamental design for a massage seat, as shown and
described.

DESCRIPTION

FIG. 1 is a perspective view of a massage seat showing my
design;
FIG. 2 is a front elevational view thereof;
FIG. 3 is a rear elevational view thereof;
FIG. 4 is a left side elevational view thereof;
FIG. 5 is a right side elevational view thereof;
FIG. 6 is a top plan view thereof;
FIG. 7 is bottom plan view thereof; and,
FIG. 8 is a perspective view showing the massage seat in use.
The broken lines shown in FIG. 8 illustrate portions of the
massage seat which form no part of the claimed design.

1 Claim, 8 Drawing Sheets



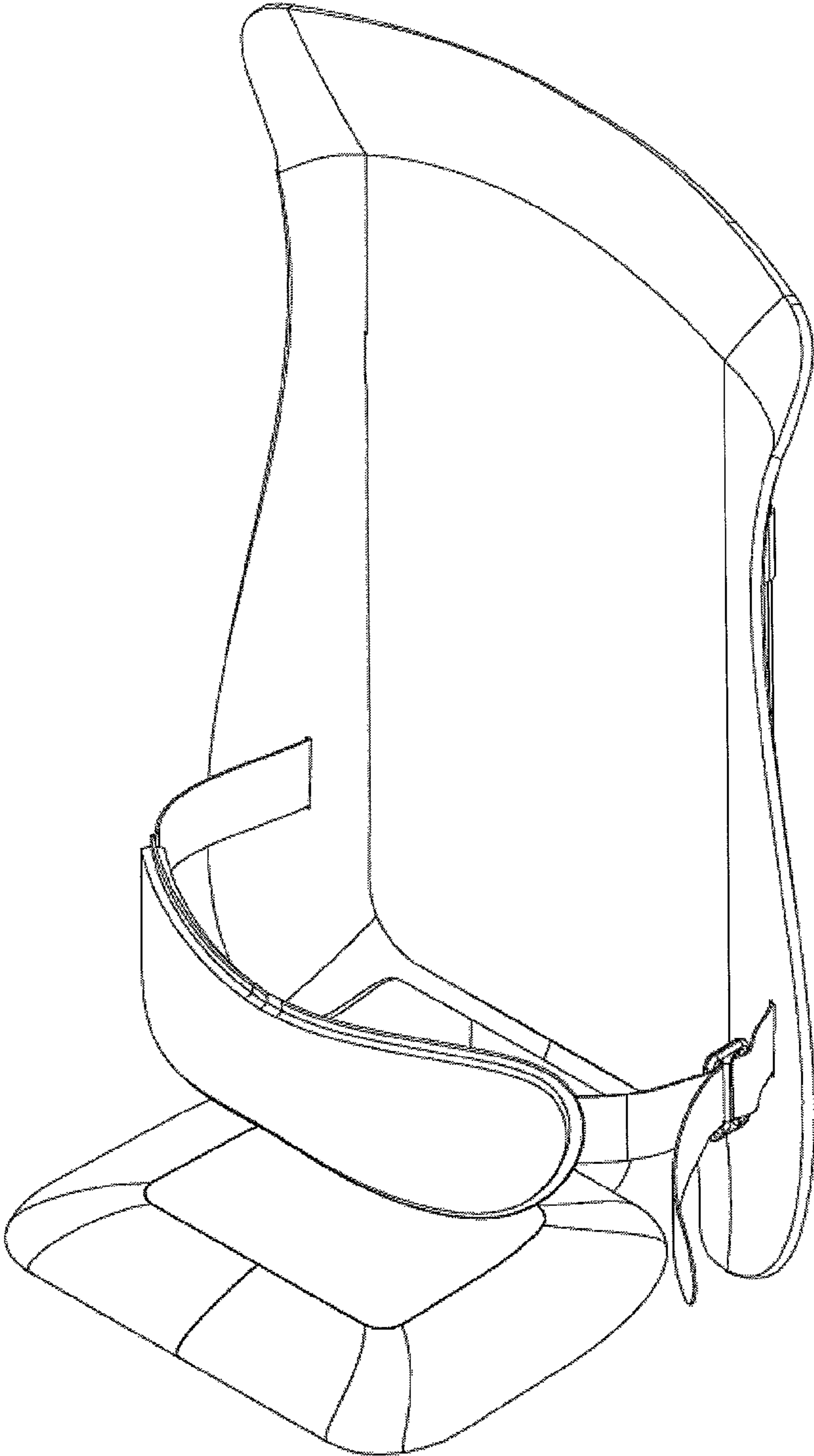


FIG. 1

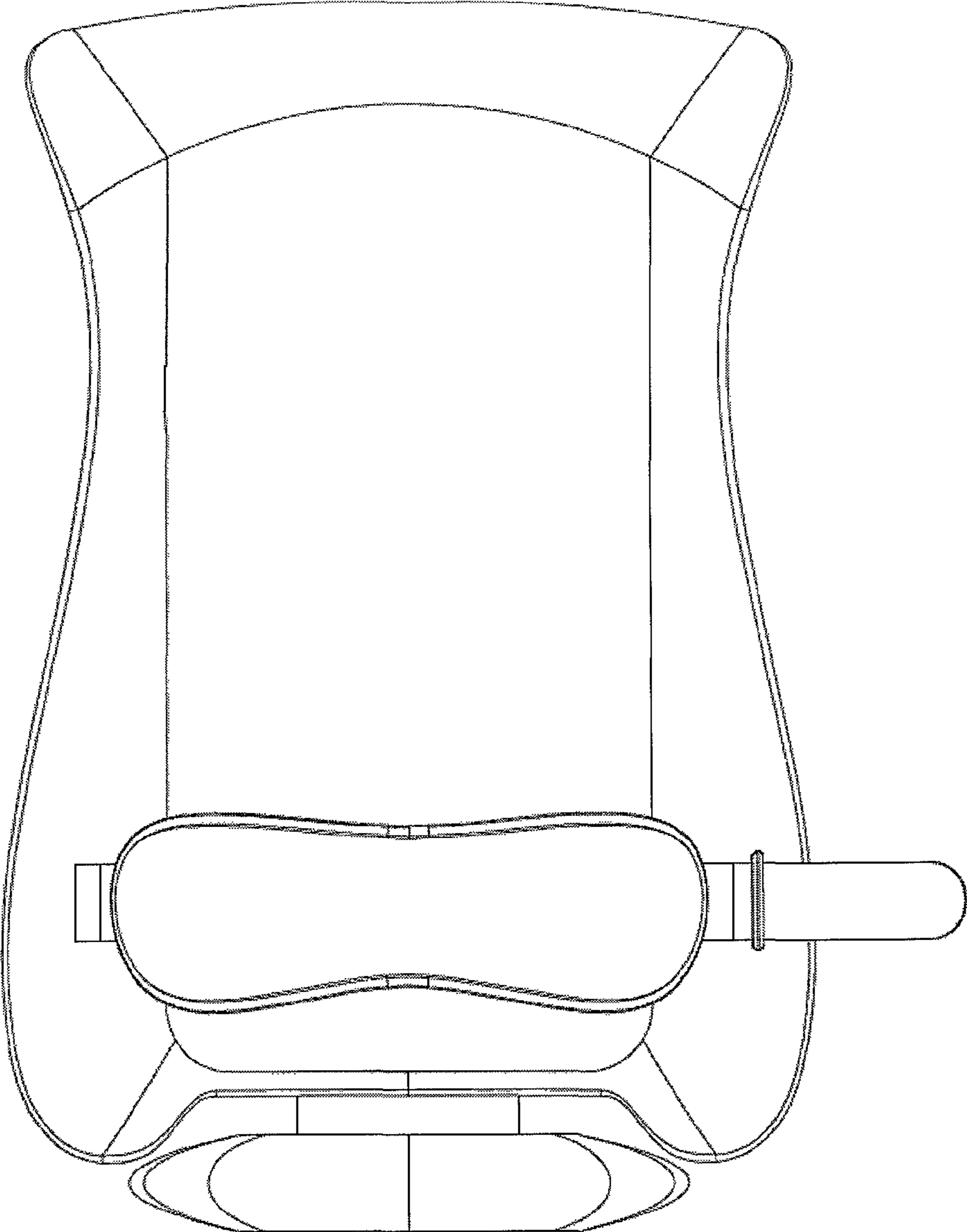


FIG. 2

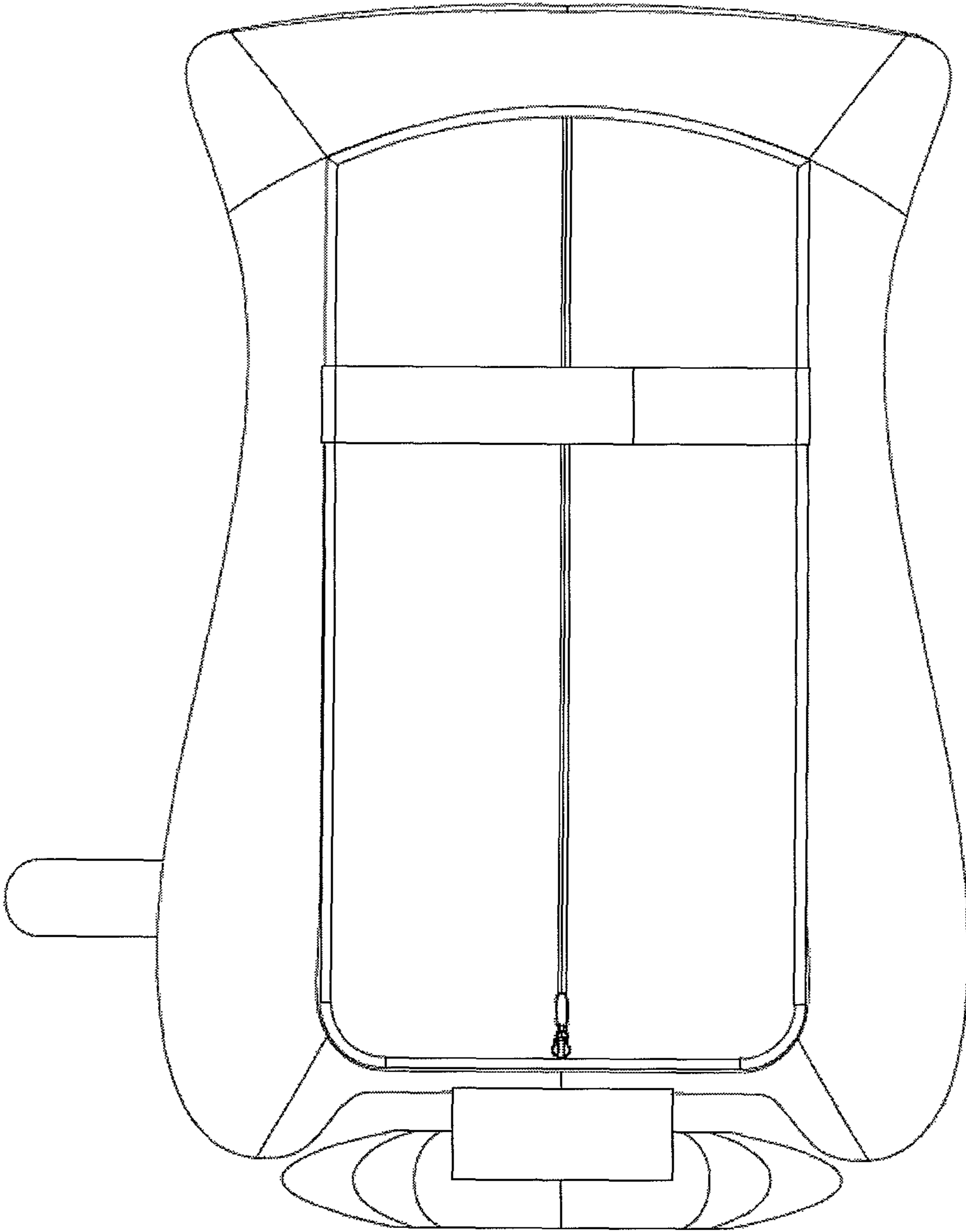


FIG. 3

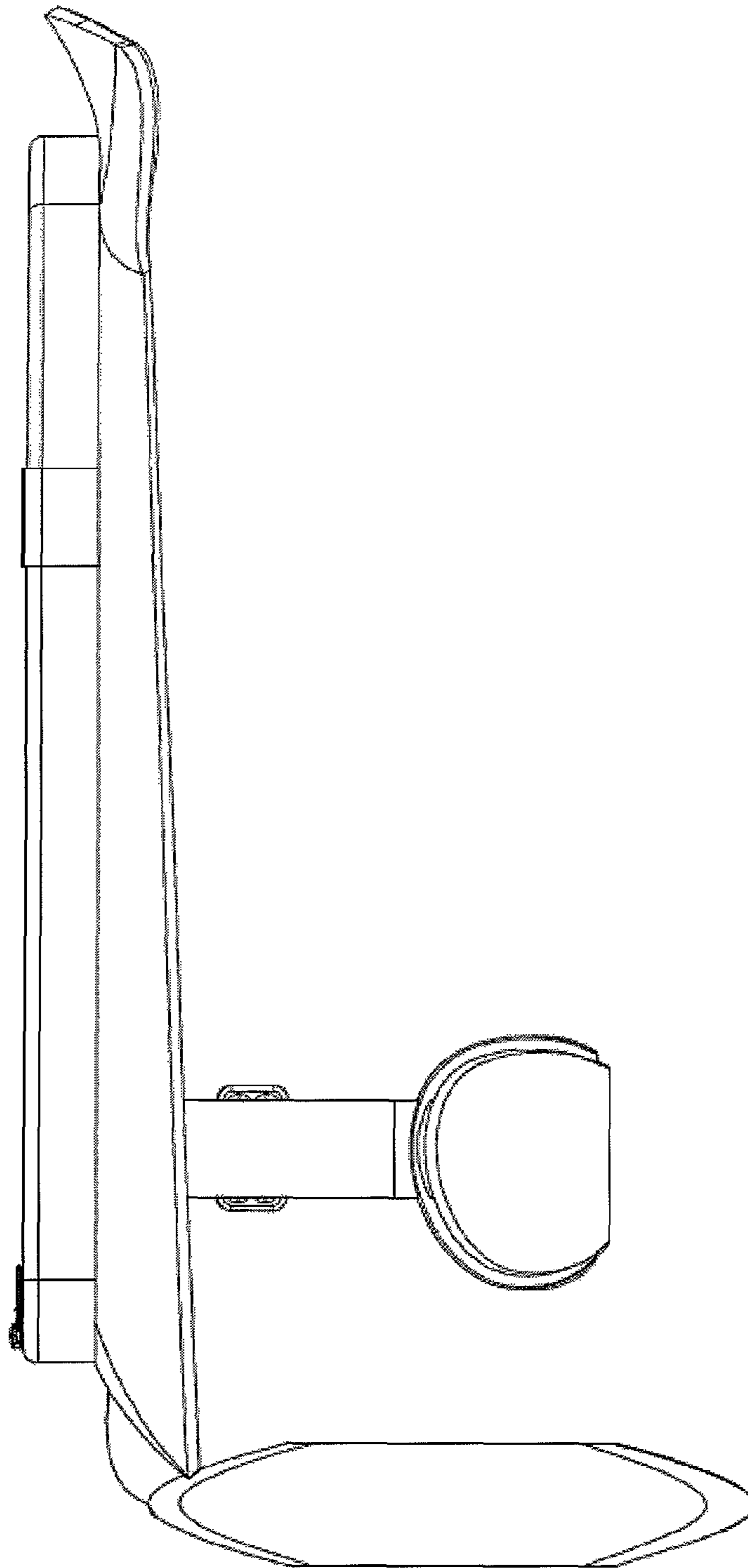


FIG. 4

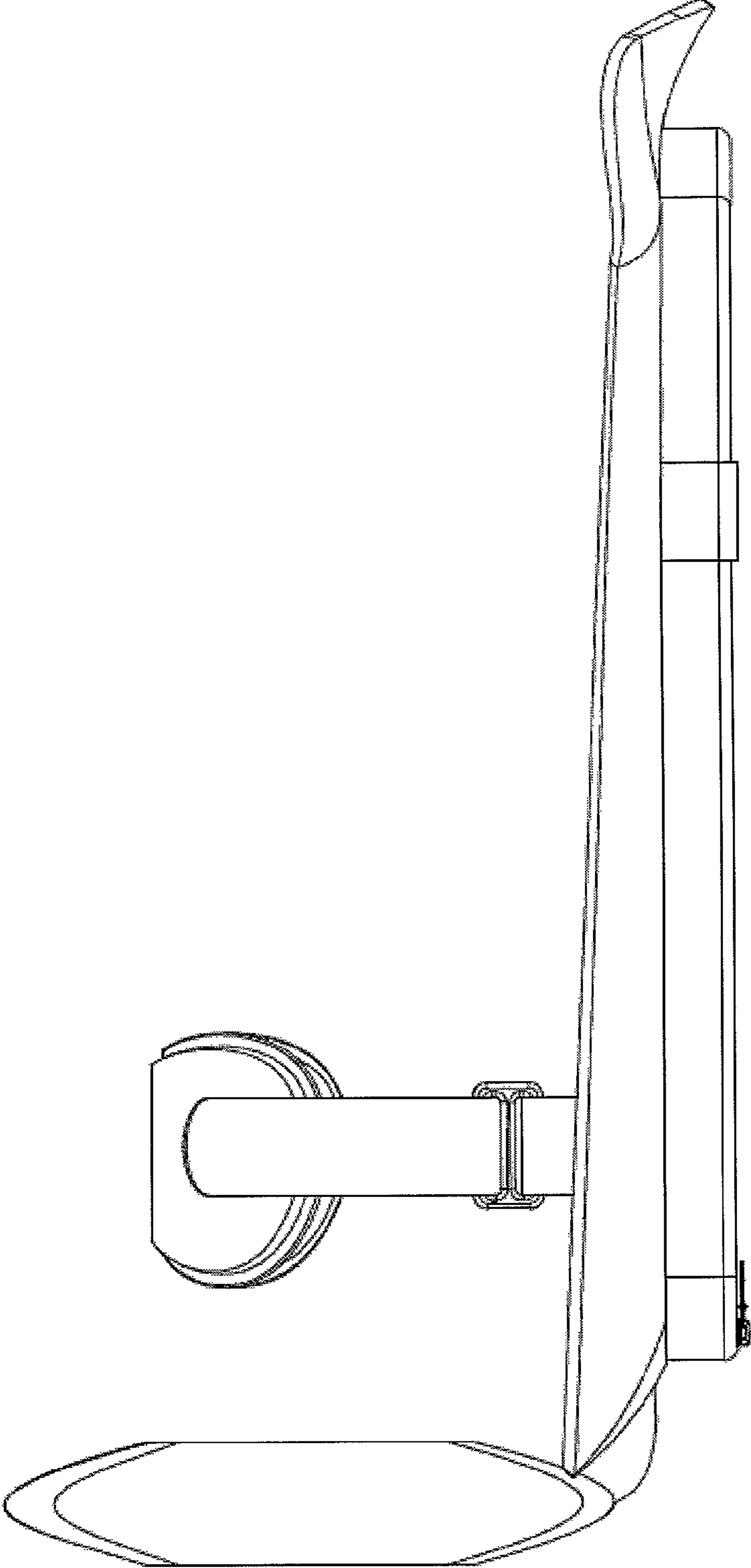


FIG. 5

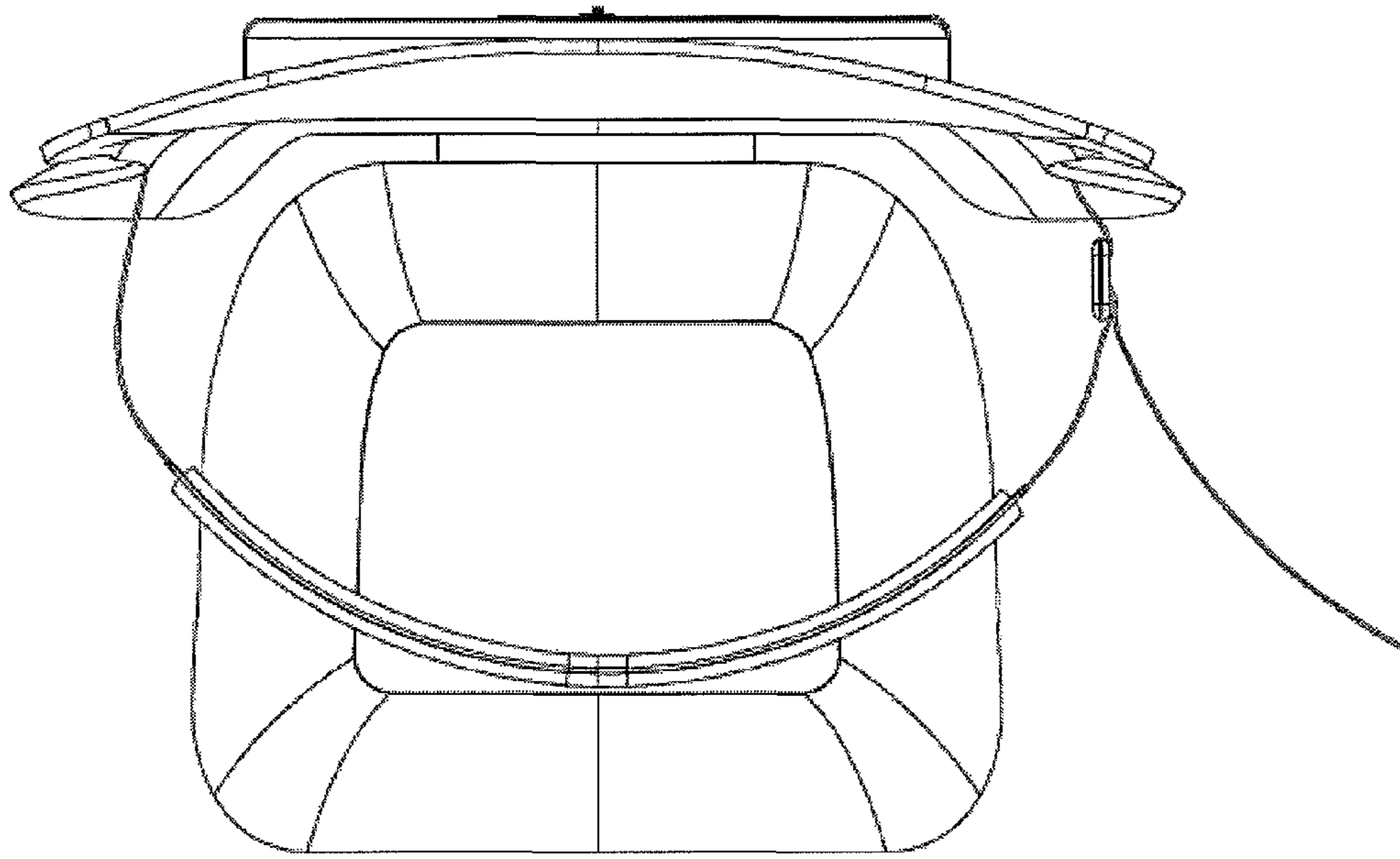


FIG. 6

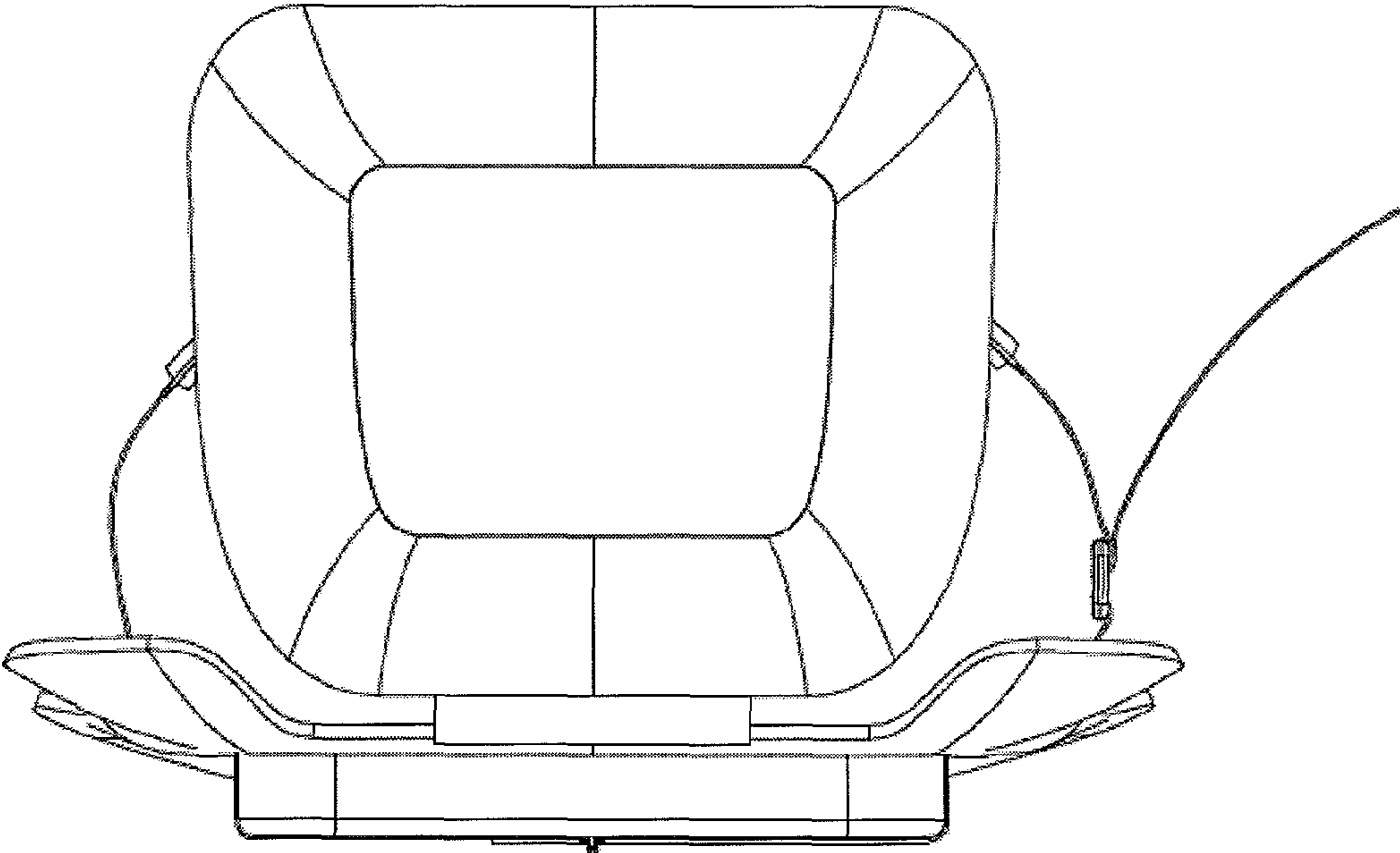


FIG. 7

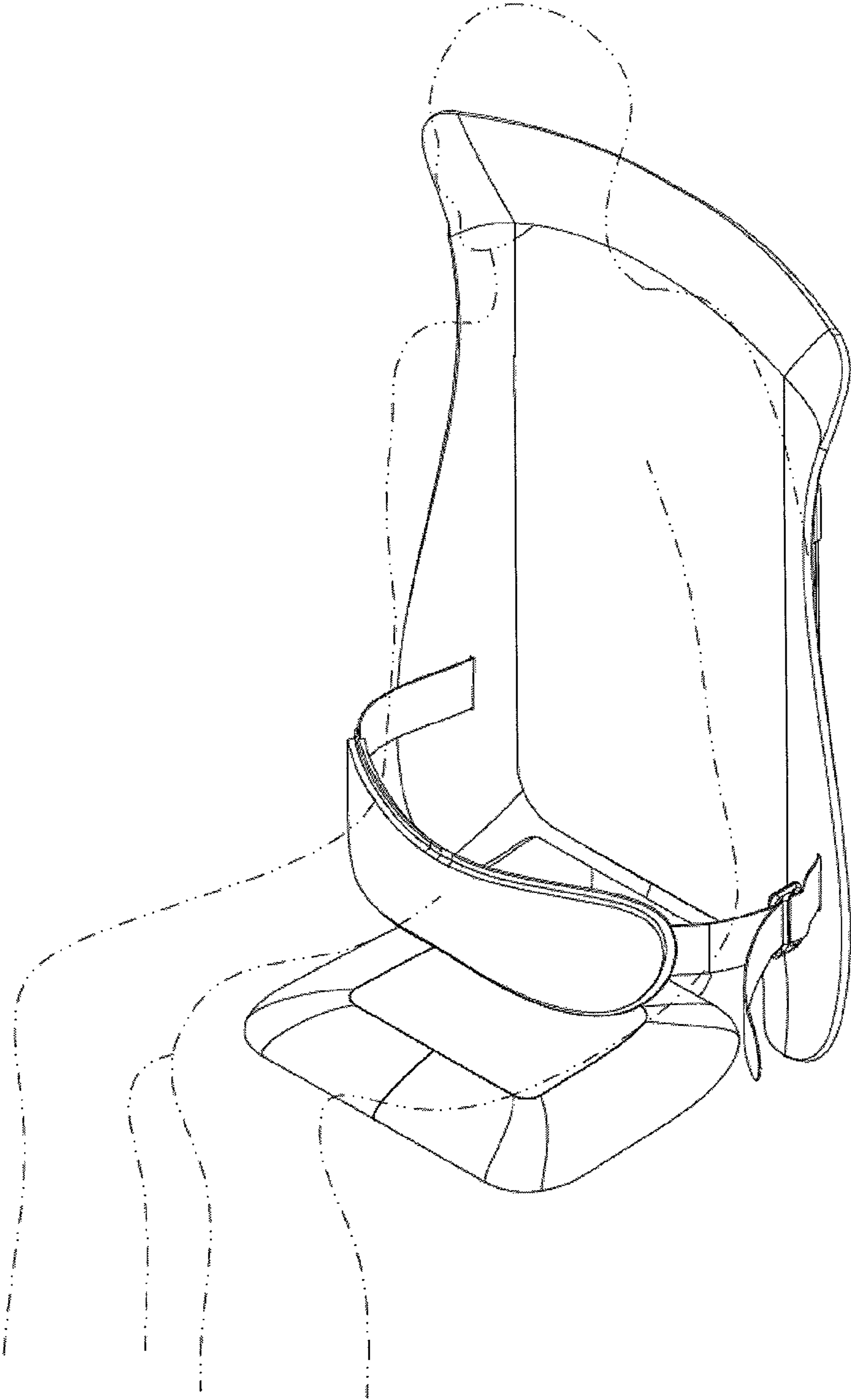


FIG. 8