



US00D687156S

(12) **United States Design Patent**
Yamamoto et al.

(10) **Patent No.:** **US D687,156 S**
(45) **Date of Patent:** **** Jul. 30, 2013**

(54) **LIGHT-IRRADIATING BEAUTY APPARATUS**

Primary Examiner — David Muller

(75) Inventors: **Yuki Yamamoto**, Tokyo (JP); **Kouji Oomaki**, Tokyo (JP)

(74) *Attorney, Agent, or Firm* — Marvin A. Motsenbocker; Mots Law, PLLC

(73) Assignee: **Panasonic Corporation**, Kadoma-shi (JP)

(57) **CLAIM**

(**) Term: **14 Years**

The ornamental design for a light-irradiating beauty apparatus, as shown and described.

(21) Appl. No.: **29/422,952**

(22) Filed: **May 25, 2012**

DESCRIPTION

(30) **Foreign Application Priority Data**

Nov. 25, 2011 (JP) 2011-027316

(51) **LOC (9) Cl.** **28-03**

(52) **U.S. Cl.**
USPC **D24/209**

(58) **Field of Classification Search**
USPC D24/210, 209, 200, 158, 176; 362/555, 362/545, 800, 294, 249, 267; D26/2, 29, D26/37, 39, 41, 104; 606/2-4, 16, 131; 607/88-95; 433/29; 601/15
See application file for complete search history.

FIG. 1 is a front view of a light-irradiating beauty apparatus; FIG. 2 is a right side view thereof; FIG. 3 is a top plan view thereof; FIG. 4 is a rear view thereof; FIG. 5 is a left side view thereof; FIG. 6 is a bottom plan view thereof; FIG. 7 is a sectional view thereof taken along line 7-7 of FIG. 1, in which the internal components are omitted; FIG. 8 is a perspective view thereof showing a state where a hand-held is detached from a main body; FIG. 9 is a front perspective view of the hand-held of the light-irradiating beauty apparatus; FIG. 10 is a rear perspective view thereof; FIG. 11 is a front view thereof; FIG. 12 is a right side view thereof; FIG. 13 is a top plan view thereof; FIG. 14 is a rear view thereof; FIG. 15 is a left side view thereof; FIG. 16 is a bottom plan view thereof; and, FIG. 17 is a sectional view thereof, taken along line 17-17 of FIG. 11, in which the internal components are omitted. The features shown in broken lines depict environmental subject matter only and form no part of the claimed design. The main body of the light-irradiating beauty apparatus has been omitted from the disclosure in FIGS. 9 to 17 for convenience of illustration.

(56) **References Cited**

U.S. PATENT DOCUMENTS

D347,283	S	*	5/1994	Von Winckler	D24/214
D360,036	S	*	7/1995	Doria	D24/200
D365,880	S	*	1/1996	Tiefenthal et al.	D24/158
D366,703	S	*	1/1996	Huen	D24/200
6,103,203	A	*	8/2000	Fischer	422/186
D636,088	S	*	4/2011	Loew et al.	D24/200
D645,565	S	*	9/2011	Smith et al.	D24/200
D648,441	S	*	11/2011	Rivero	D24/200
D655,012	S	*	2/2012	Nanda	D24/176
D656,620	S	*	3/2012	Altshuler et al.	D24/209
D660,448	S	*	5/2012	Lum et al.	D24/209
D660,974	S	*	5/2012	Jones et al.	D24/209
D661,399	S	*	6/2012	Wang	D24/176

* cited by examiner

1 Claim, 17 Drawing Sheets

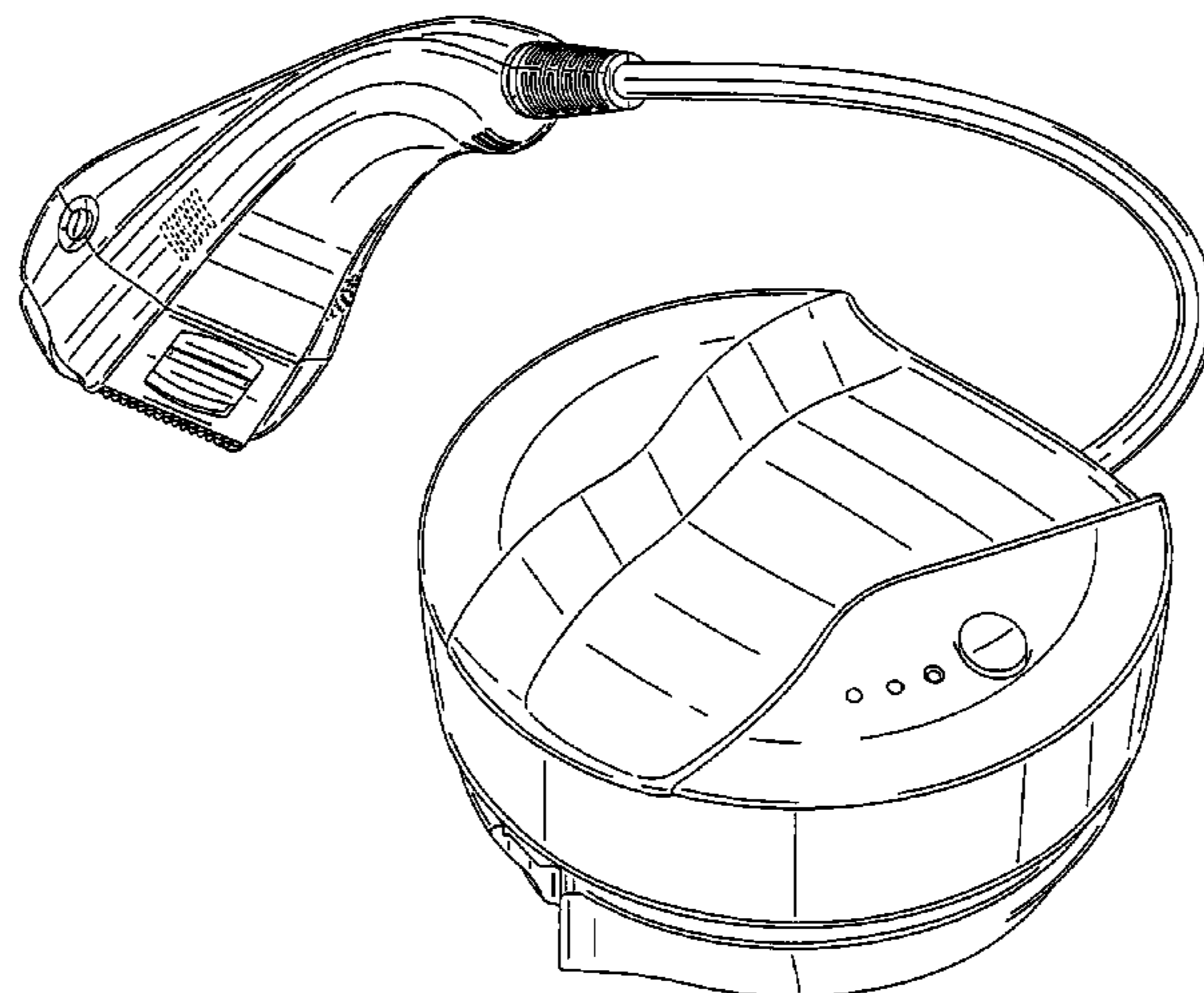


Fig.1

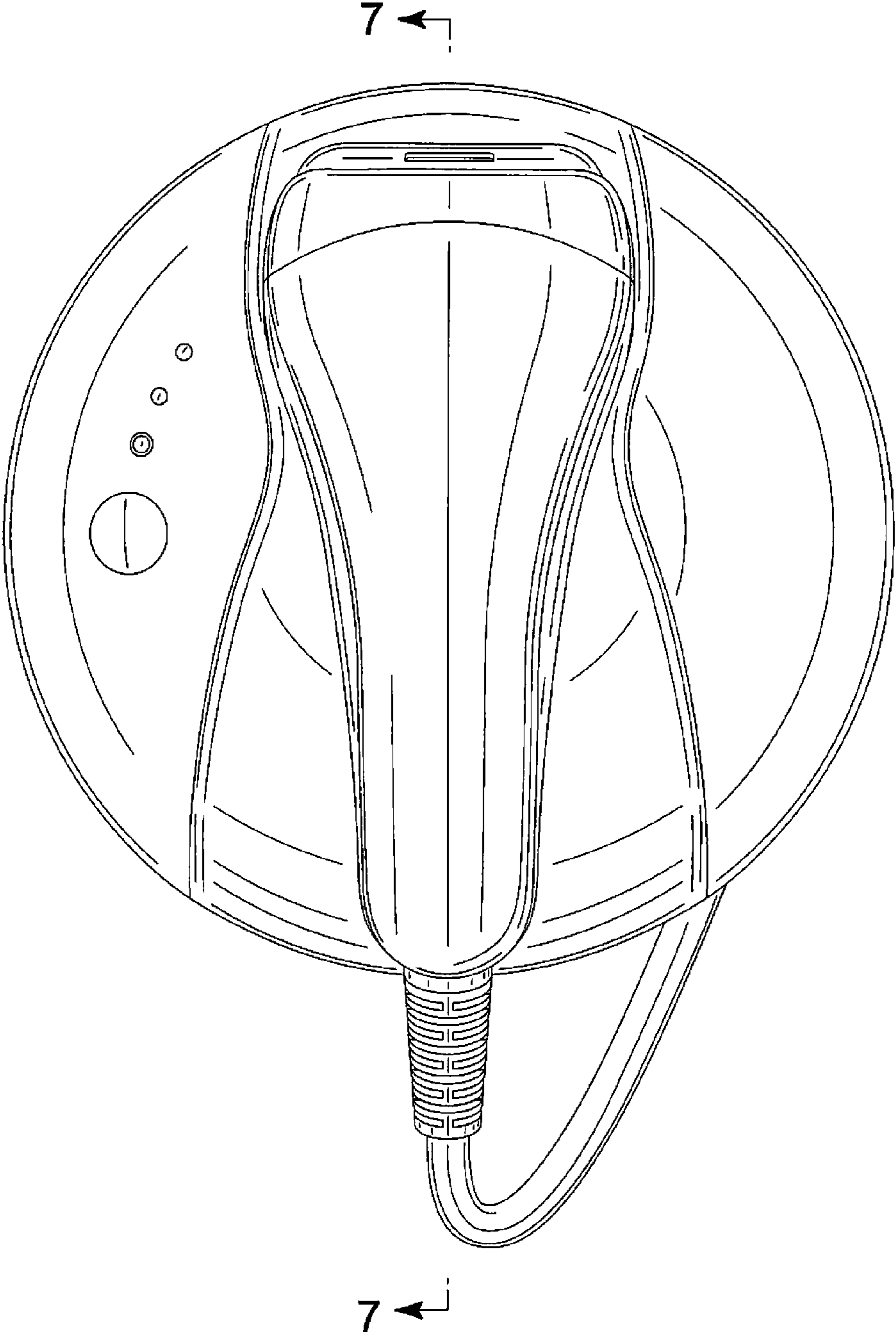


Fig.2

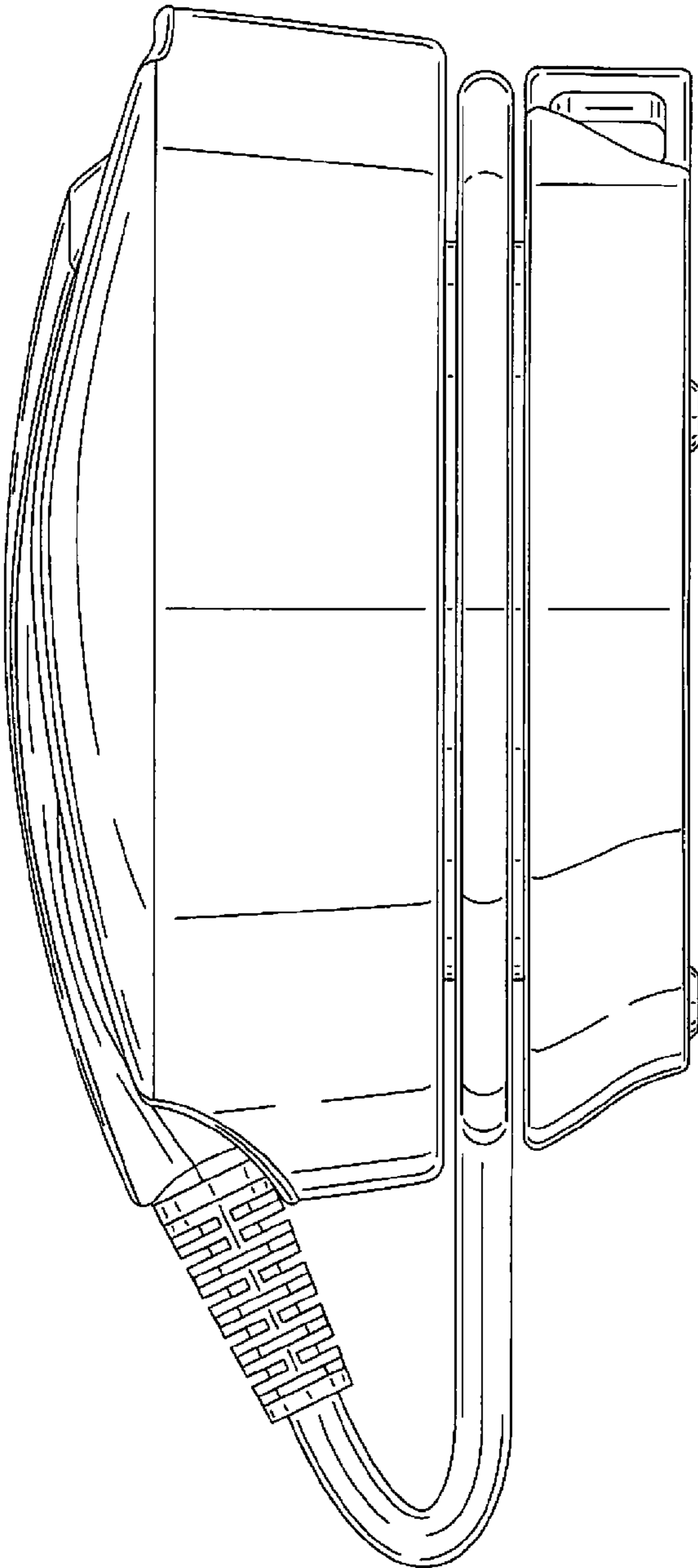


Fig.3

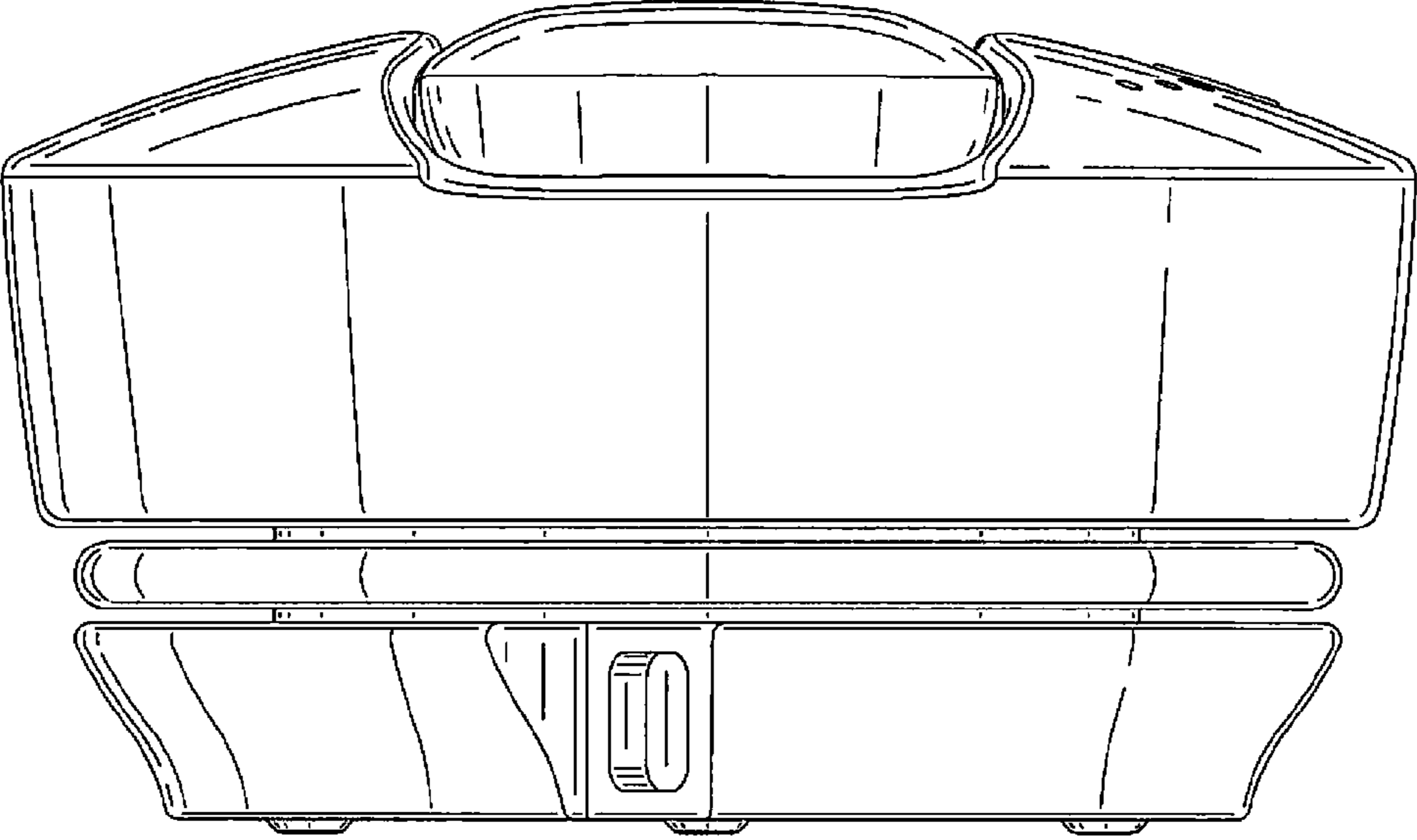


Fig.4

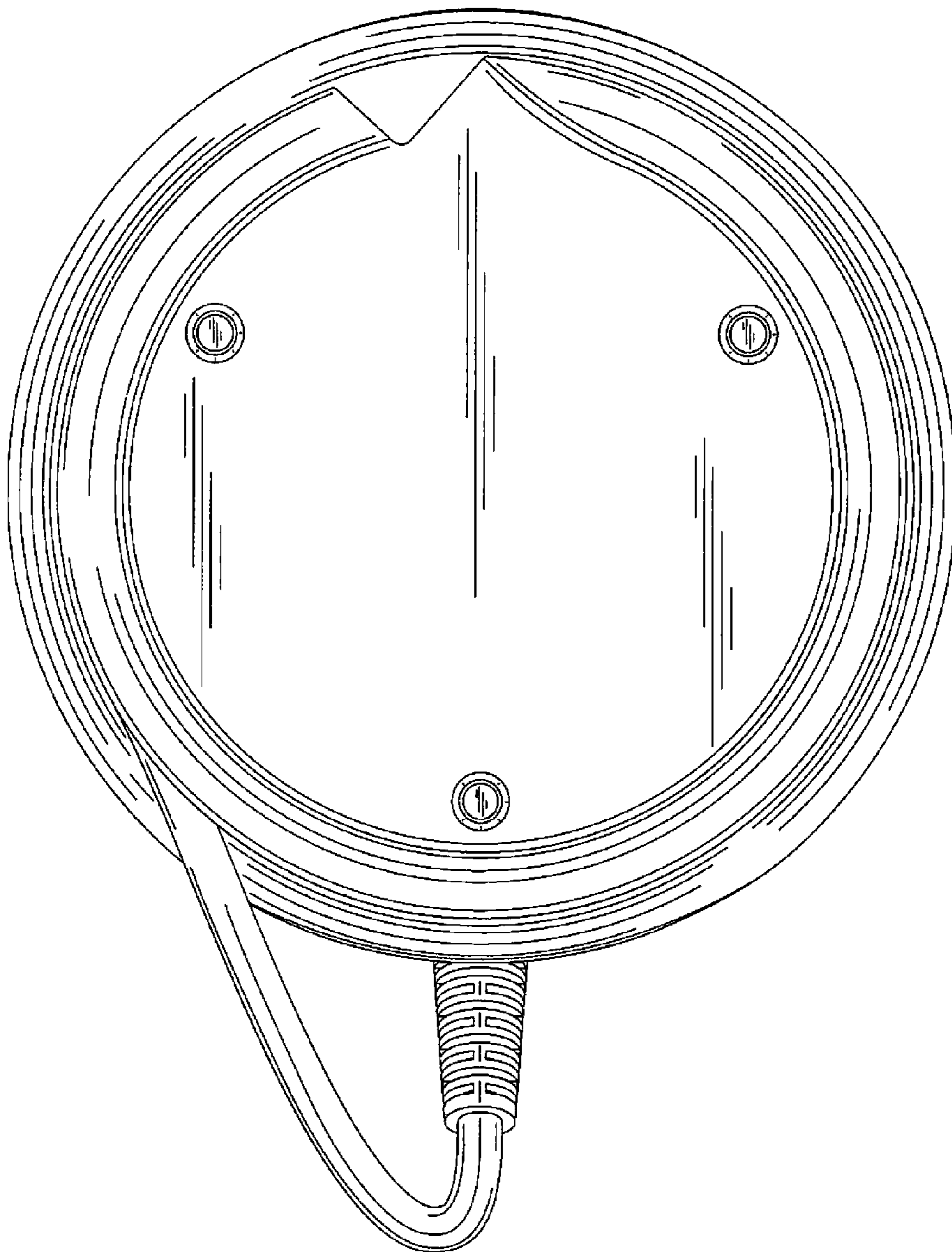


Fig.5

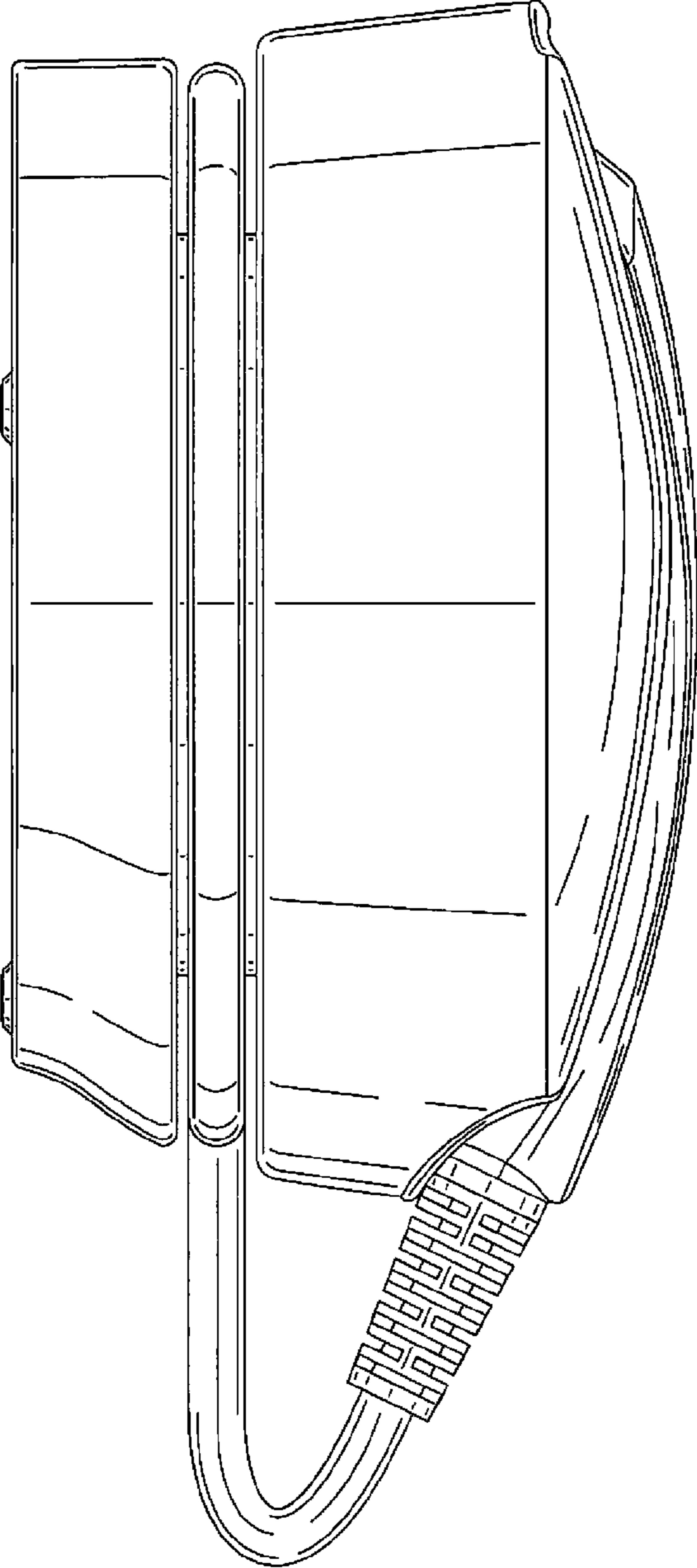


Fig.6

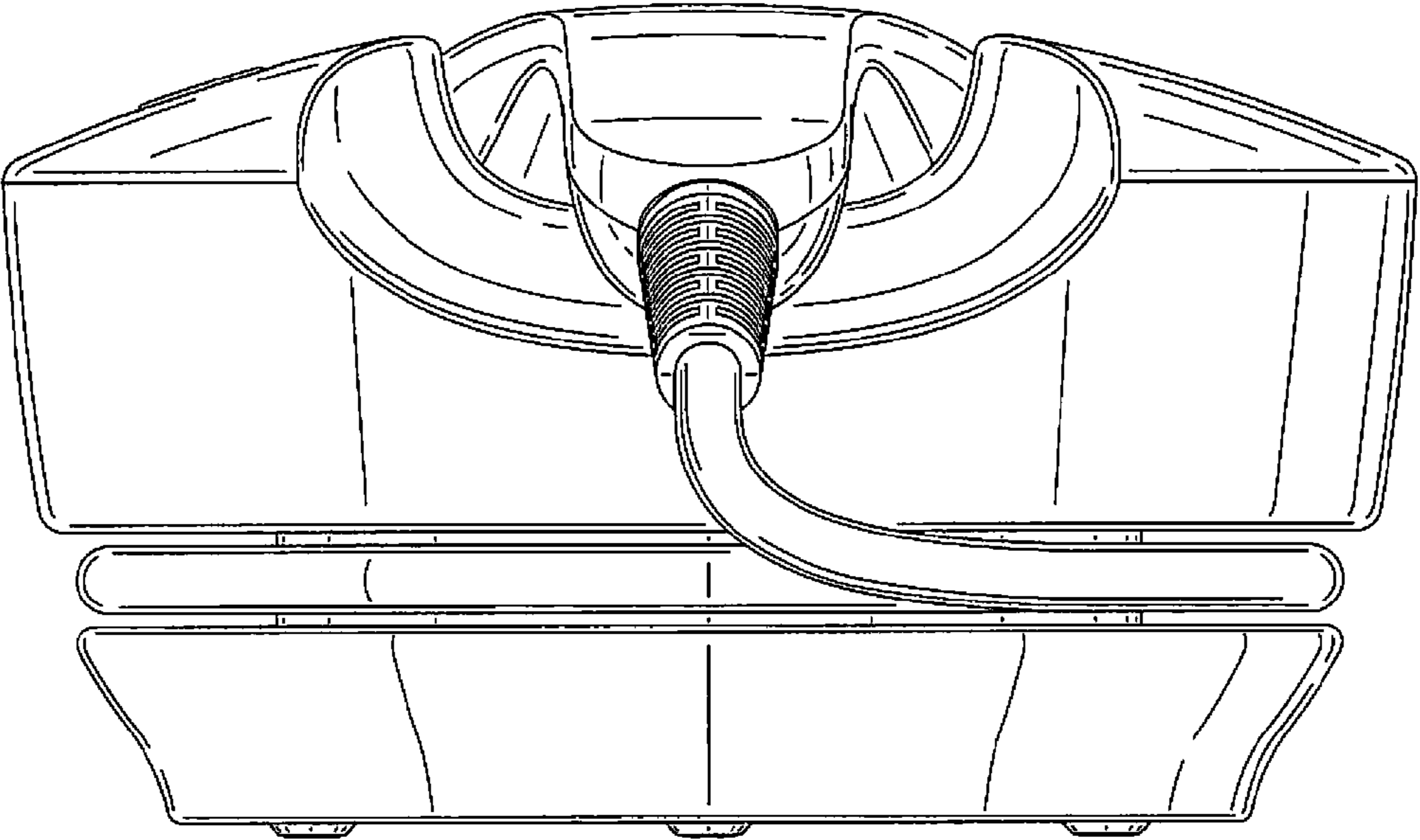


Fig.7

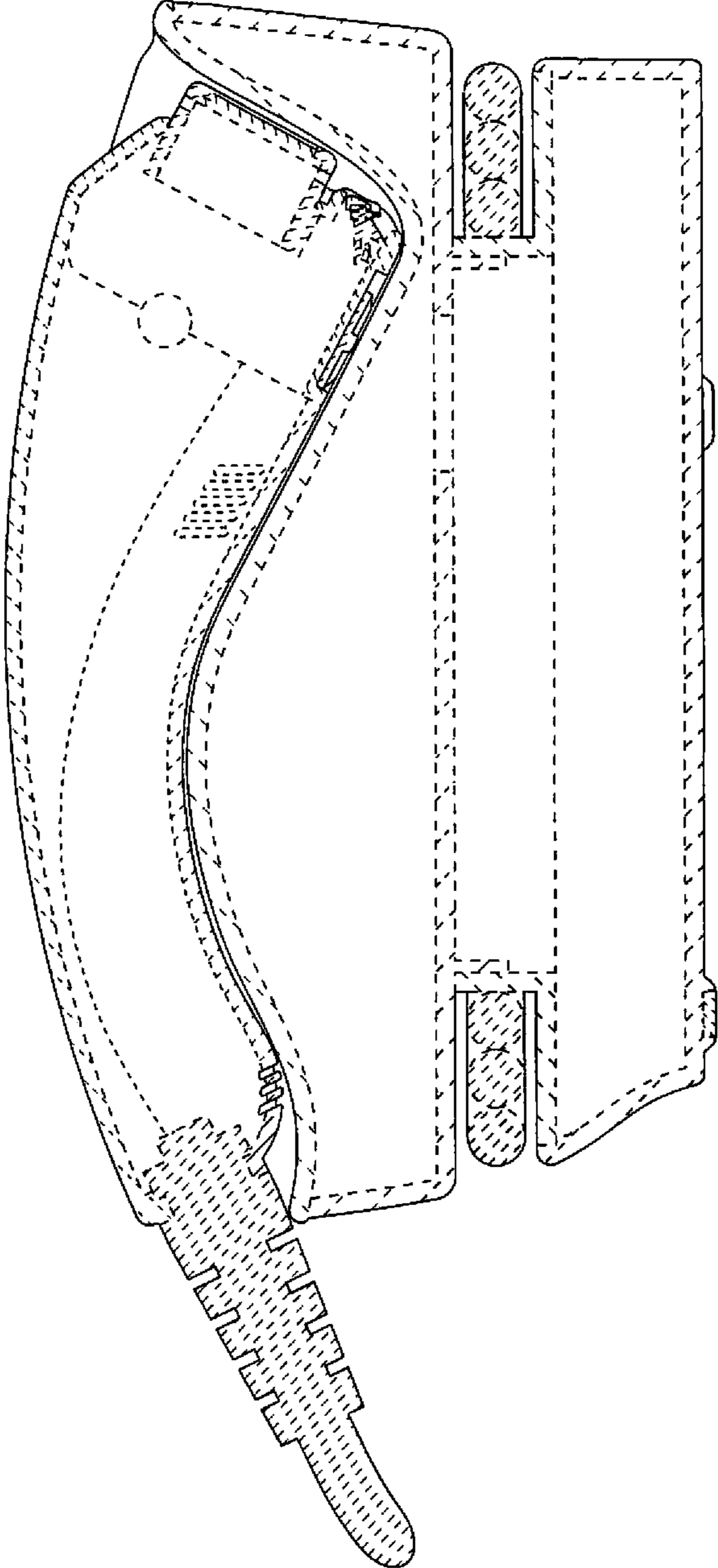


Fig.8

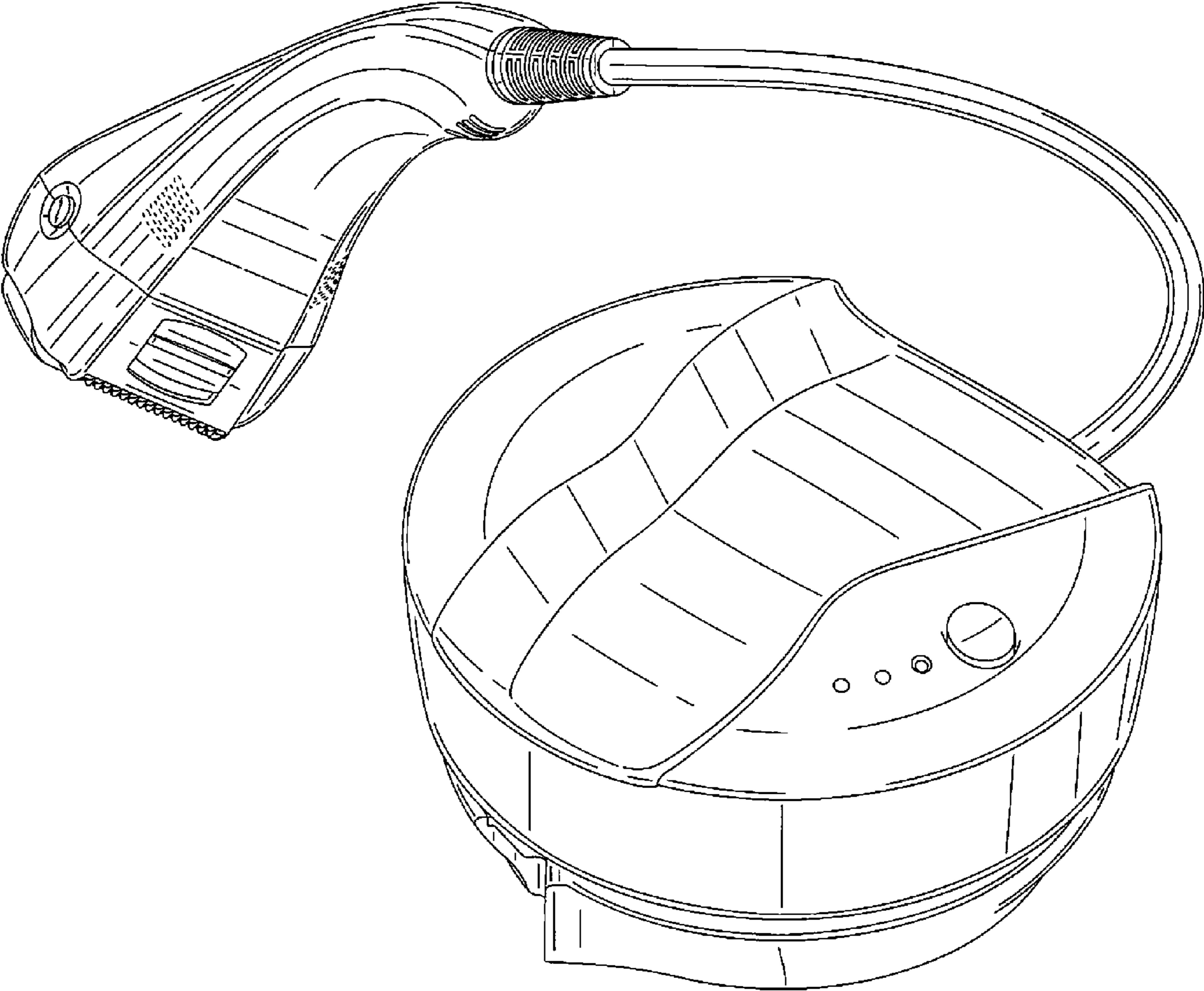


Fig.9

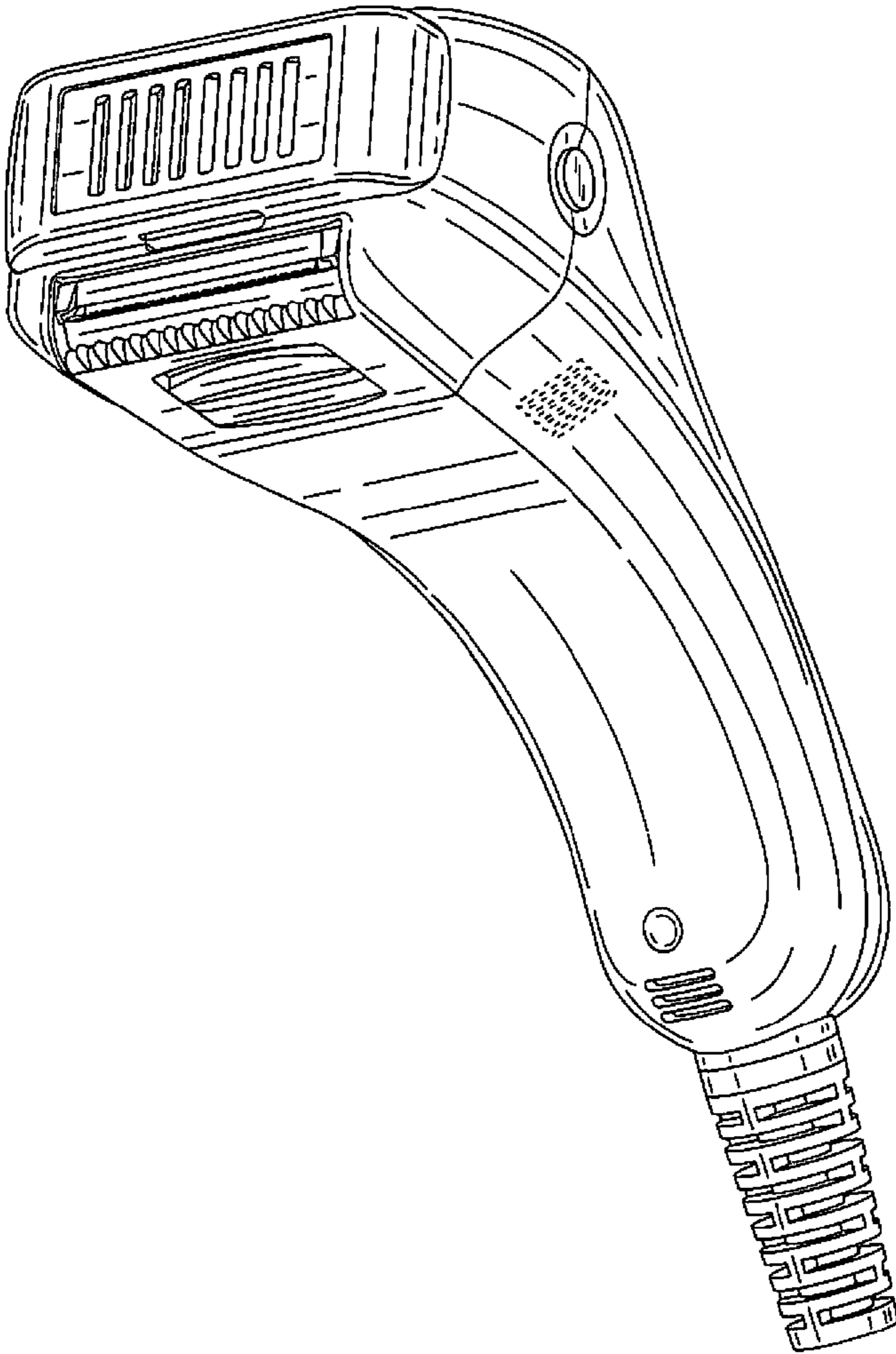


Fig.10

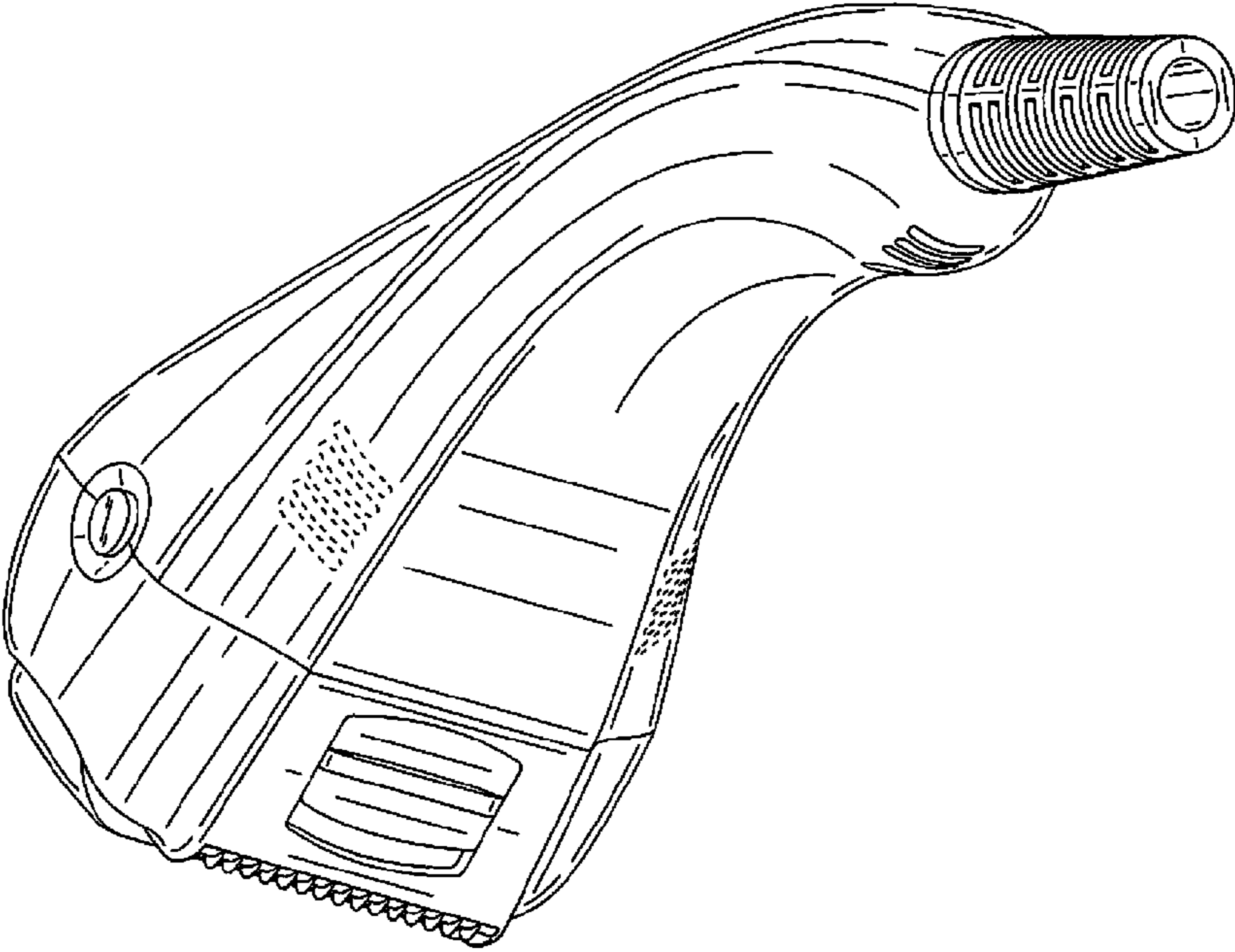


Fig.11

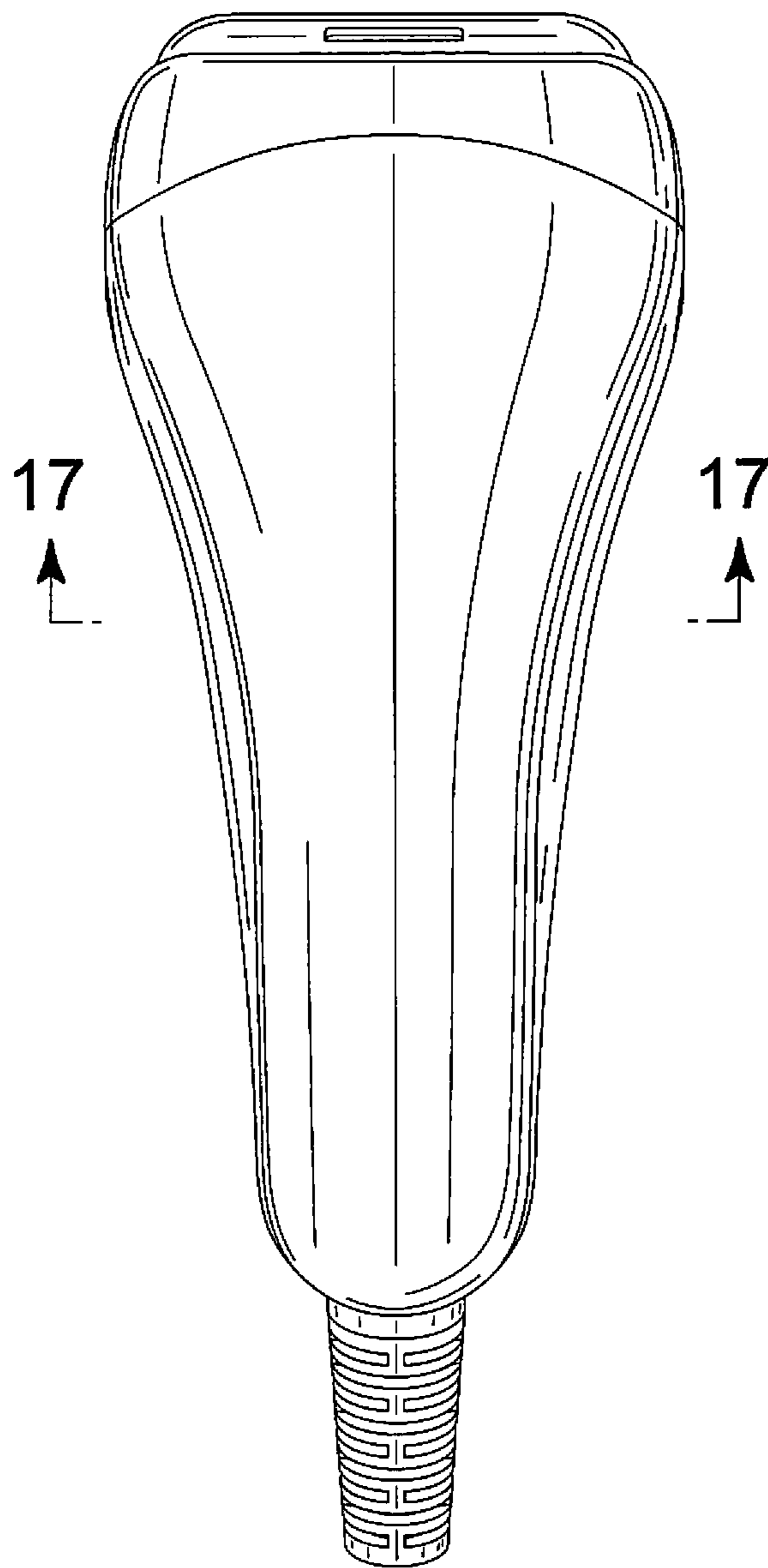


Fig. 12

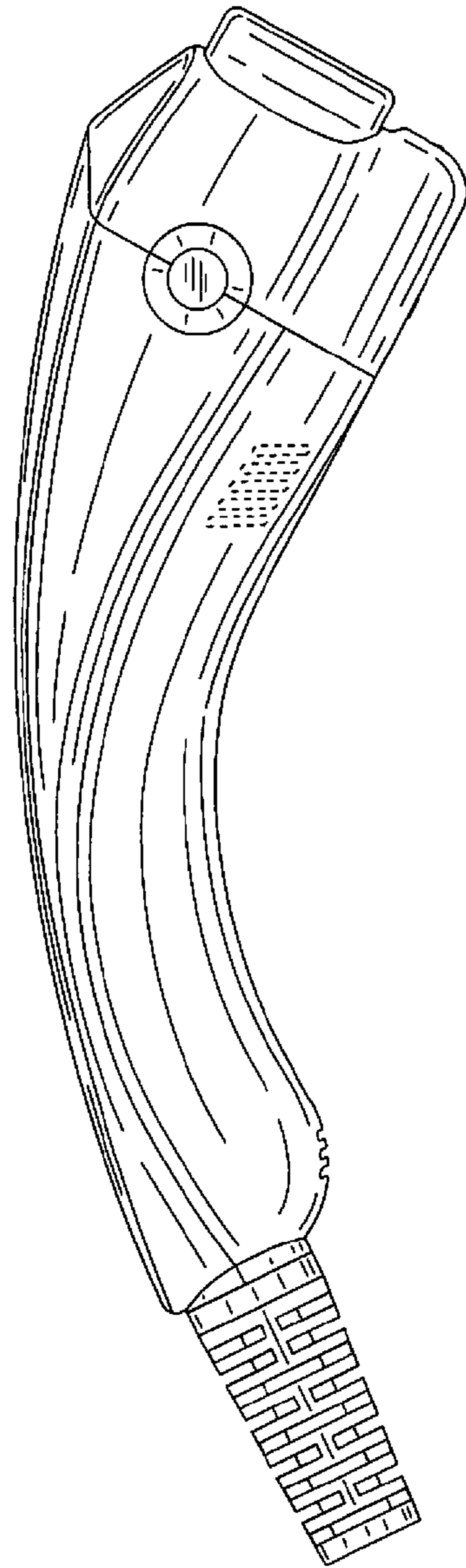


Fig.13

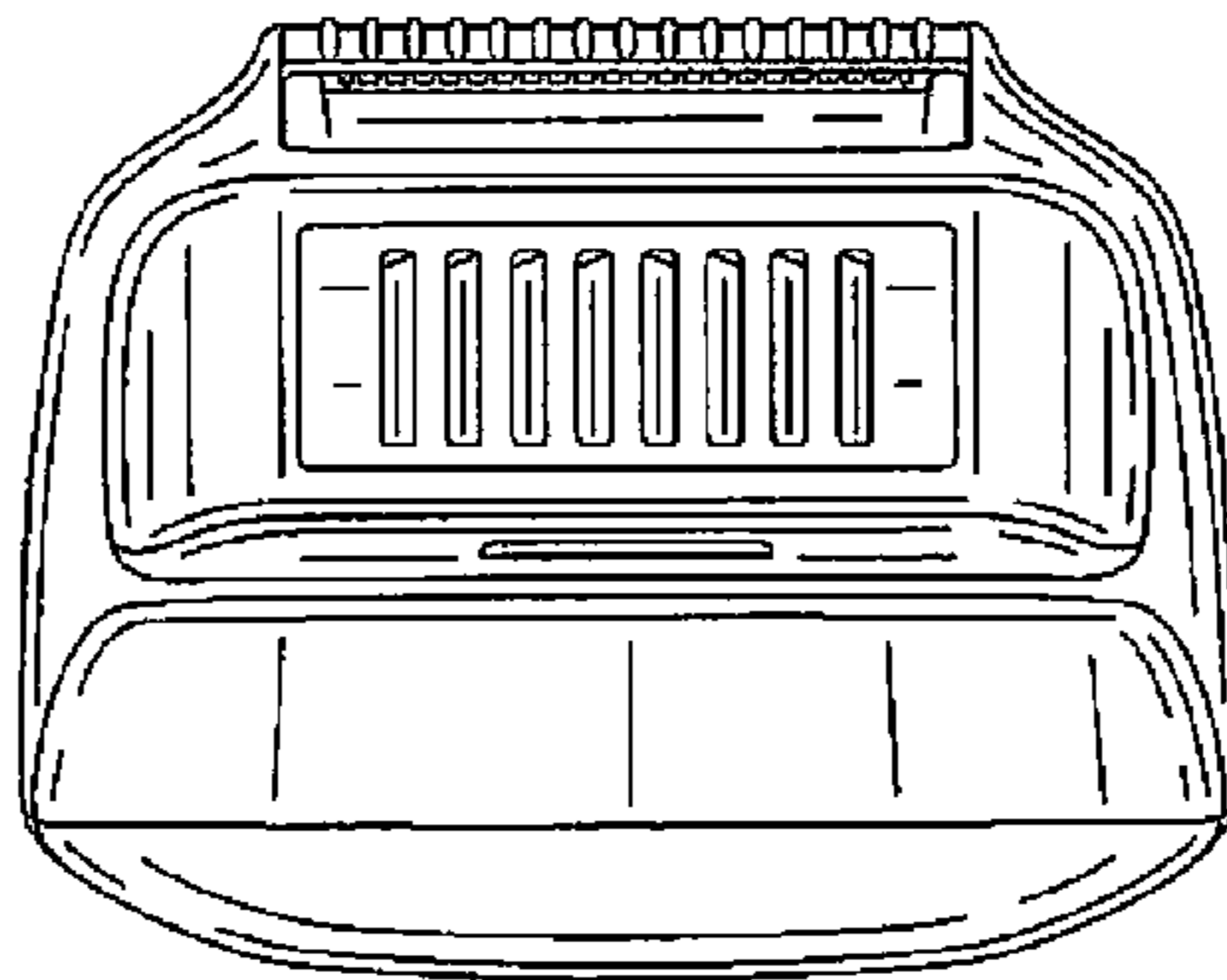


Fig. 14

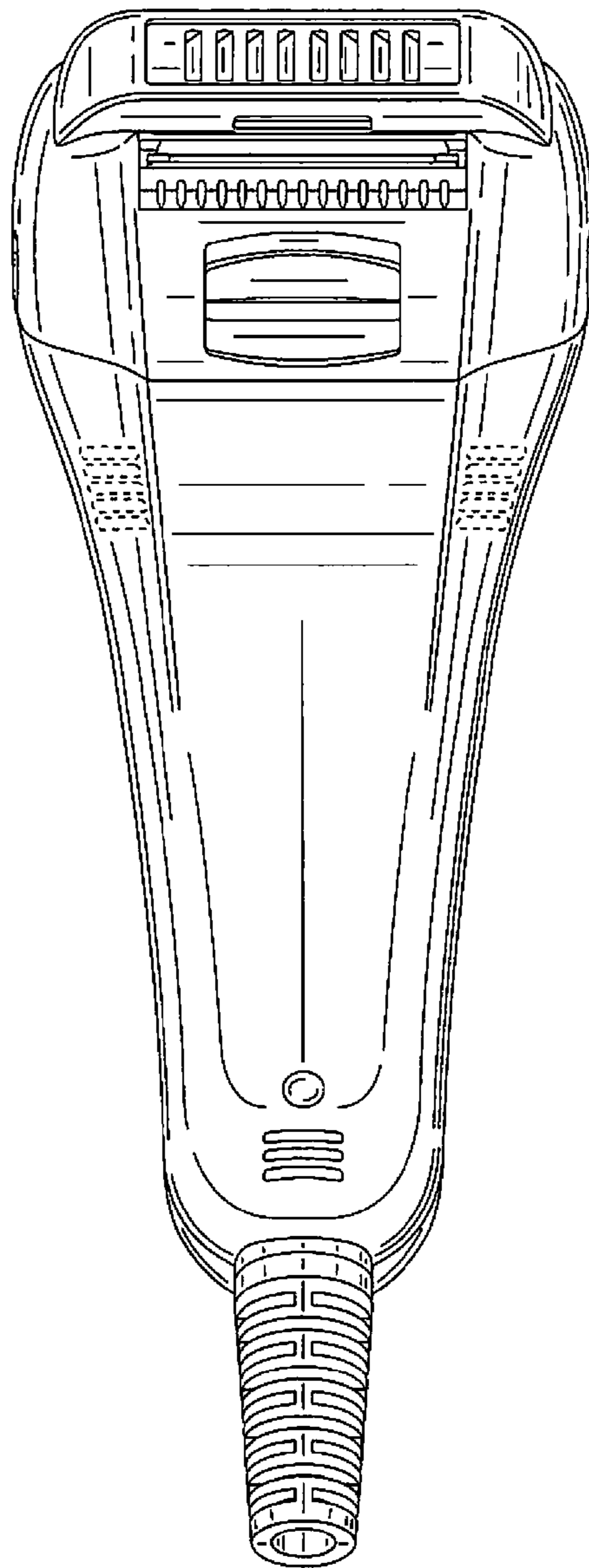


Fig. 15

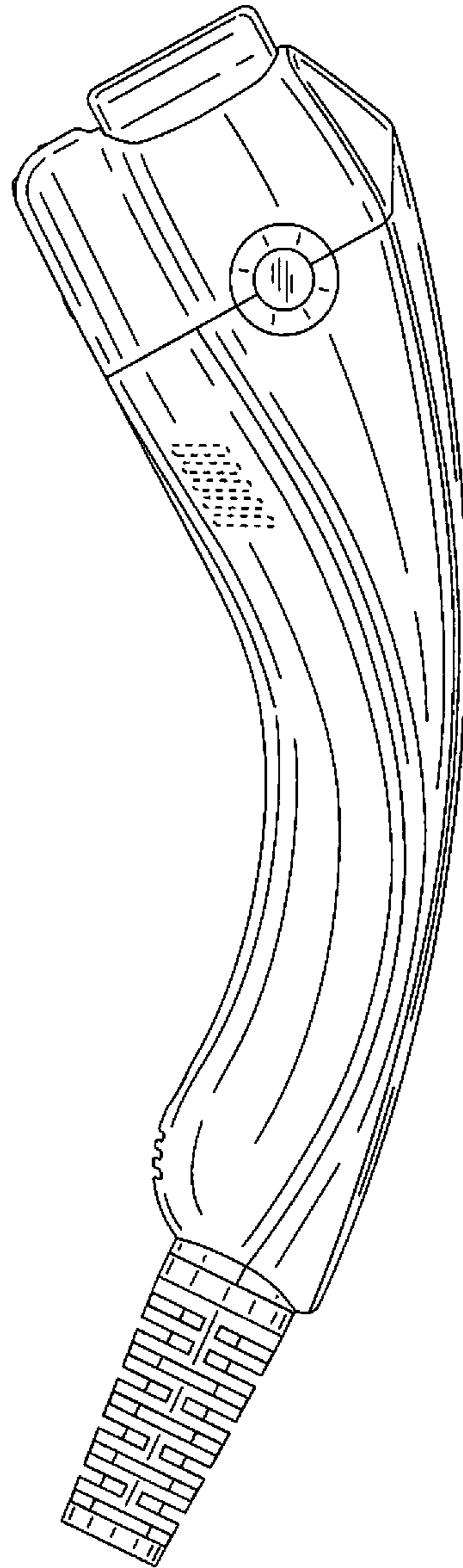


Fig.16

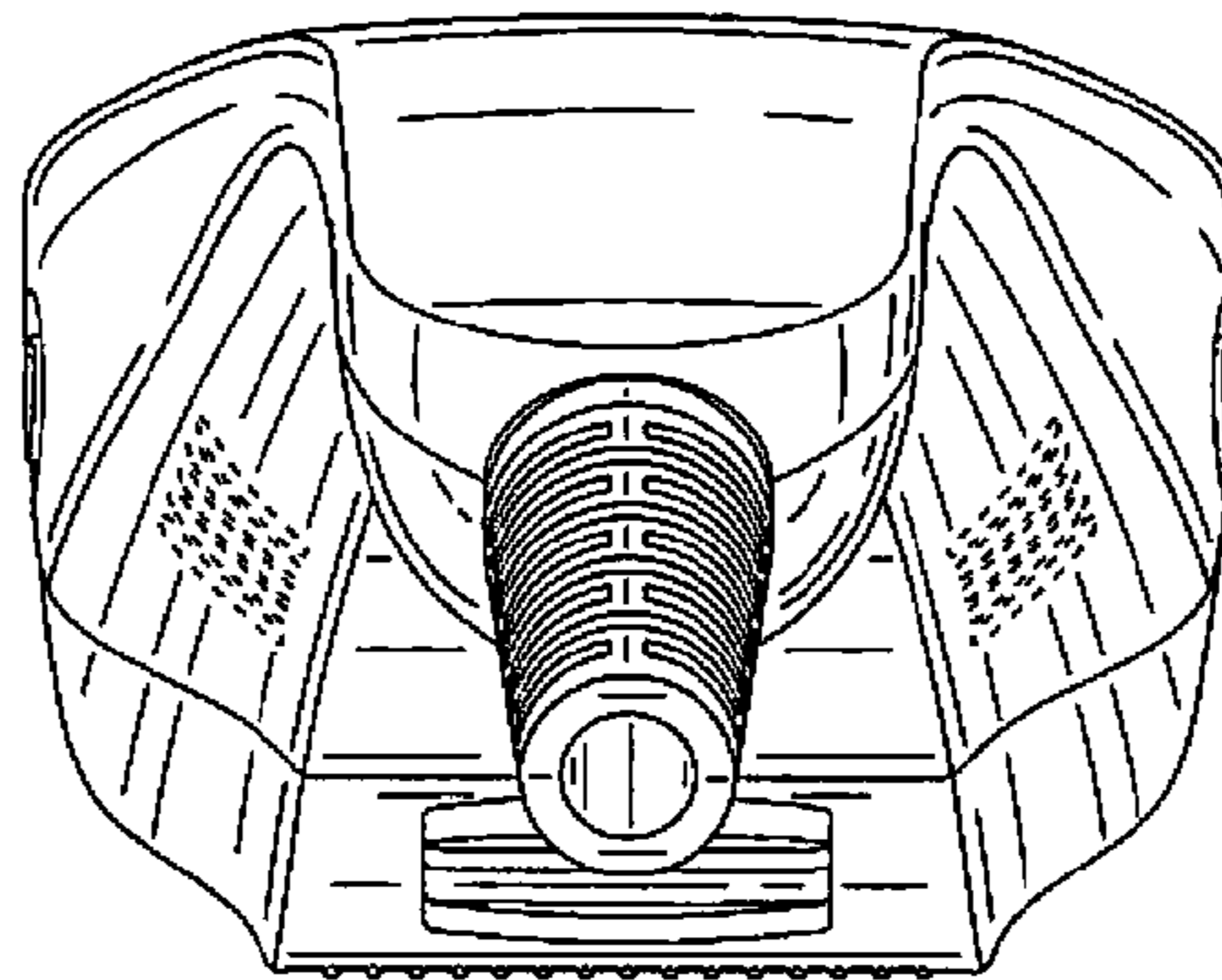


Fig.17

