



US00D687154S

(12) **United States Design Patent**  
**Chen**

(10) **Patent No.:** **US D687,154 S**

(45) **Date of Patent:** **\*\* Jul. 30, 2013**

(54) **KNEE PAD**

(76) Inventor: **Tsan-Jee Chen**, Taipei (TW)

(\*\*) Term: **14 Years**

(21) Appl. No.: **29/419,944**

(22) Filed: **May 3, 2012**

(51) **LOC (9) Cl.** ..... **24-01**

(52) **U.S. Cl.**  
USPC ..... **D24/190**

(58) **Field of Classification Search**  
USPC ..... D24/147, 183–184, 188–190; D29/121.1;  
602/3, 5, 6, 16, 21–23, 26, 60–64; 2/16, 22,  
2/24; 128/869, 879, 892, DIG. 20; D2/961;  
D6/601

See application file for complete search history.

(56) **References Cited**

**U.S. PATENT DOCUMENTS**

2,195,817	A *	4/1940	Johnson	.....	2/24
3,848,281	A *	11/1974	Mathews	.....	5/636
D284,436	S *	7/1986	Hodges	.....	D6/601
5,527,268	A *	6/1996	Gildersleeve et al.	.....	602/26
5,711,029	A *	1/1998	Visco et al.	.....	2/24
5,865,166	A *	2/1999	Fitzpatrick et al.	.....	128/117.1
D406,677	S *	3/1999	Koschmann et al.	.....	D29/121.1
D412,082	S *	7/1999	Goodrich	.....	D6/601
D481,175	S *	10/2003	Keen, Sr.	.....	D29/121.1
D580,640	S *	11/2008	Wurzburg	.....	D2/961

D618,358	S *	6/2010	Avitable et al.	.....	D24/190
D628,696	S *	12/2010	Robertson	.....	D24/147
7,862,528	B2 *	1/2011	Scott	.....	602/23
2006/0041213	A1 *	2/2006	Reinhardt	.....	602/60
2008/0300524	A1 *	12/2008	Scott	.....	602/26
2009/0312681	A1 *	12/2009	McSpadden et al.	.....	602/2
2012/0165714	A1 *	6/2012	Forbes et al.	.....	602/26

\* cited by examiner

*Primary Examiner* — Susan E Krakower

(74) *Attorney, Agent, or Firm* — Ming Chow; Sinorica, LLC

(57) **CLAIM**

The ornamental design for a knee pad, as shown and described.

**DESCRIPTION**

FIG. 1 is a front right perspective view of a knee pad showing my new design;

FIG. 2 is a front elevation view thereof;

FIG. 3 is a rear elevation view thereof;

FIG. 4 is a left side elevation view thereof;

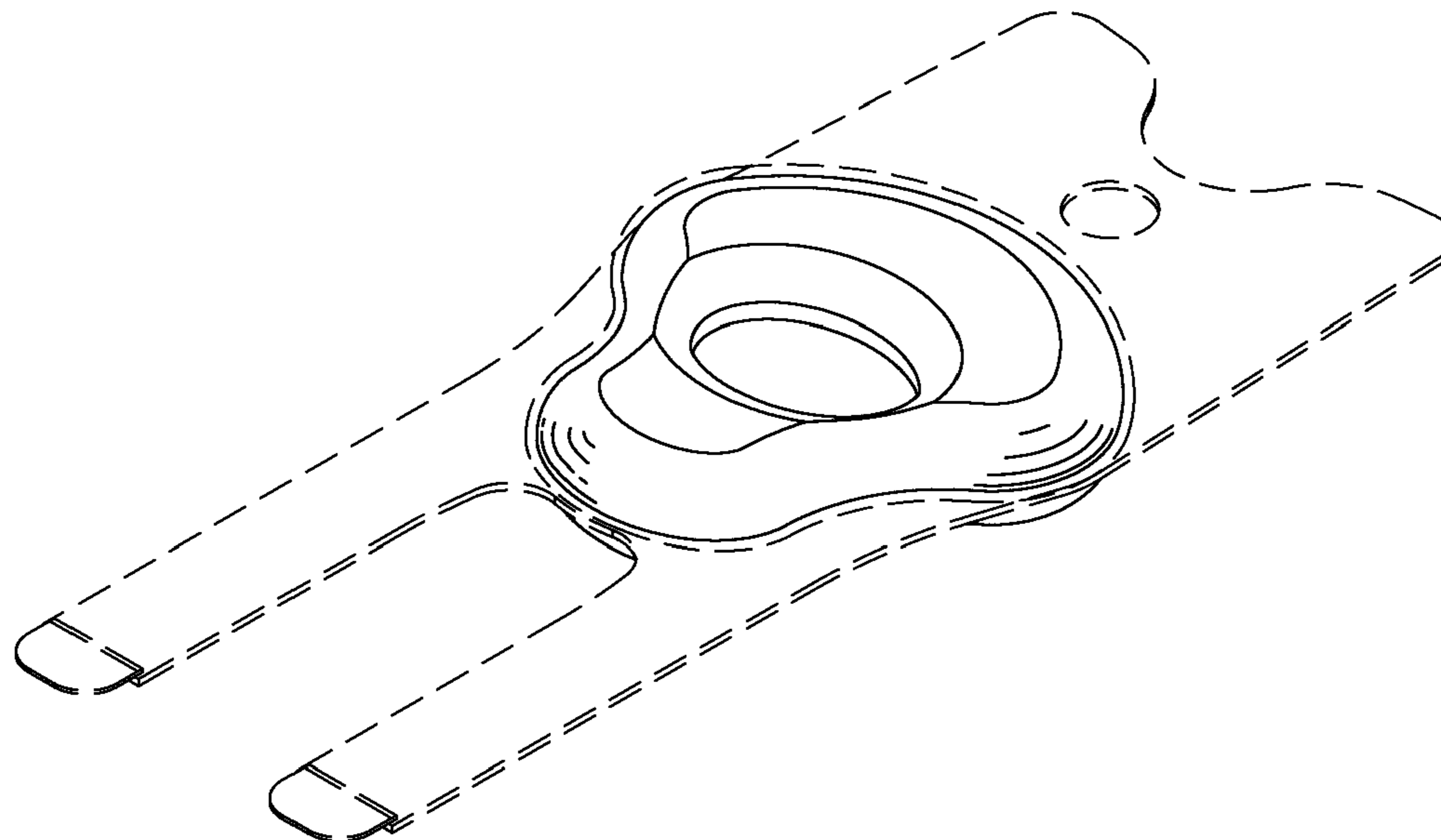
FIG. 5 is a right side elevation view thereof;

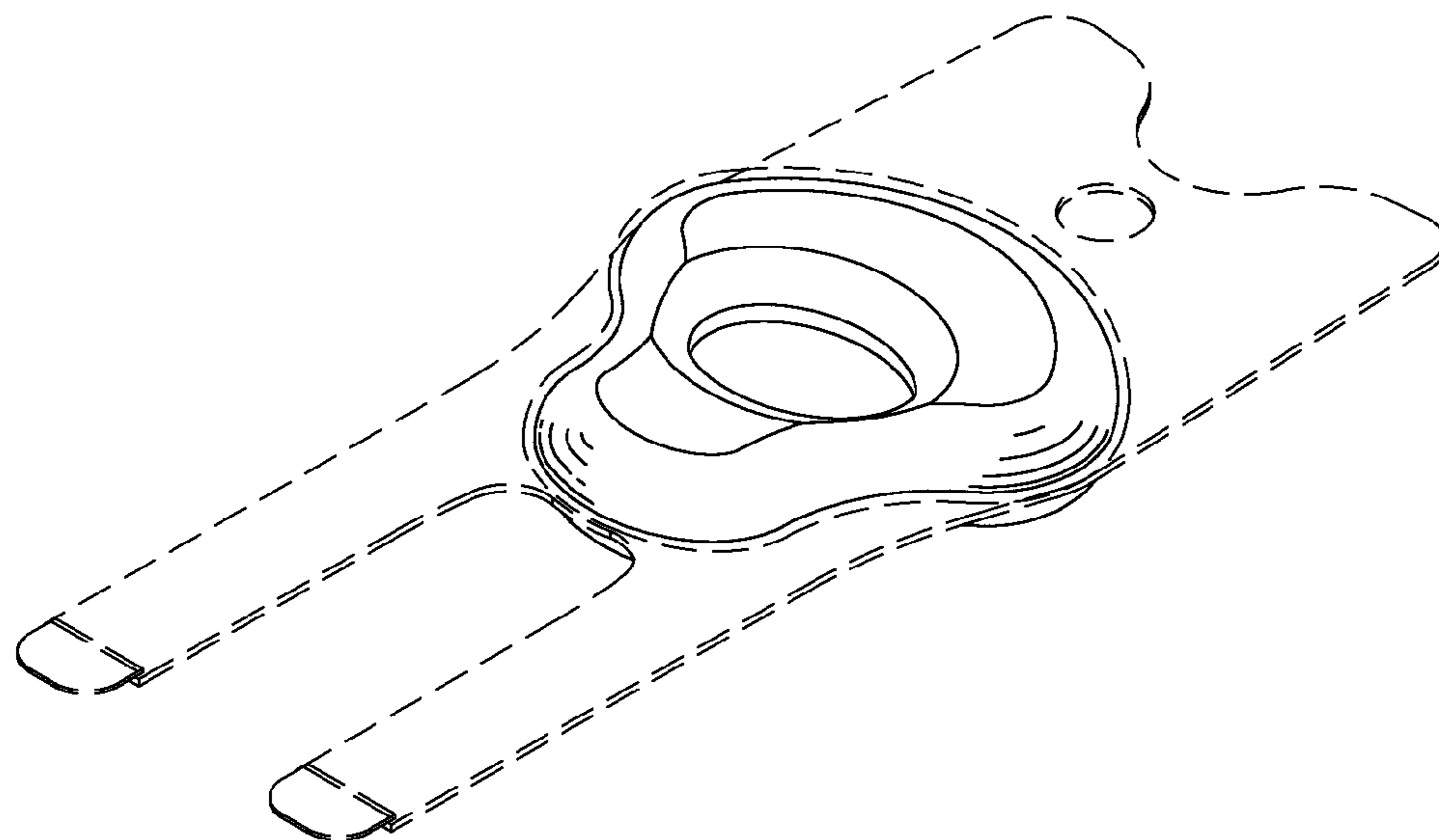
FIG. 6 is a top plan view thereof; and,

FIG. 7 is a bottom plan view thereof.

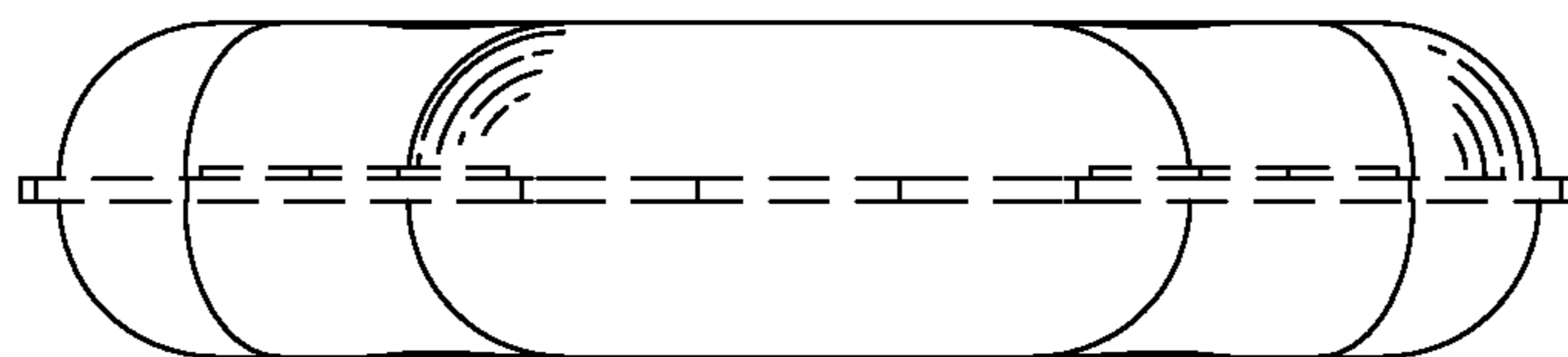
The broken lines represent the portions of the design that form no part of the claim.

**1 Claim, 6 Drawing Sheets**

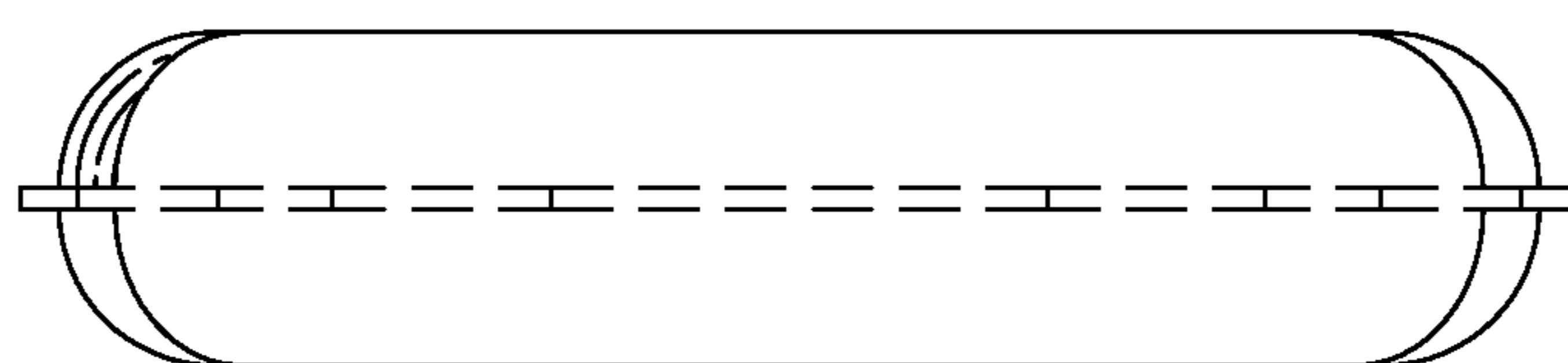




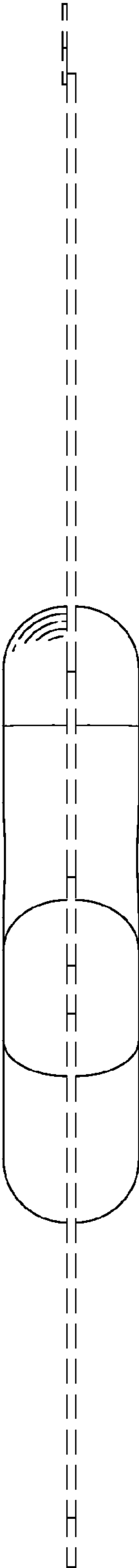
*FIG. 1*



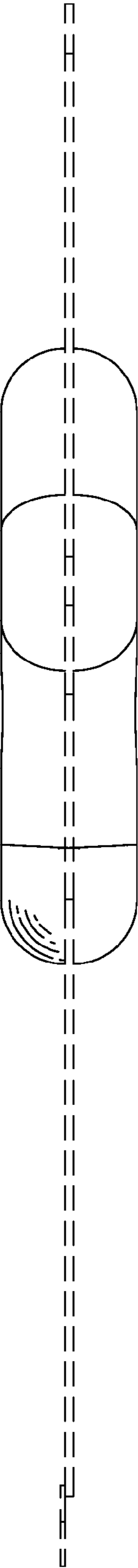
*FIG. 2*



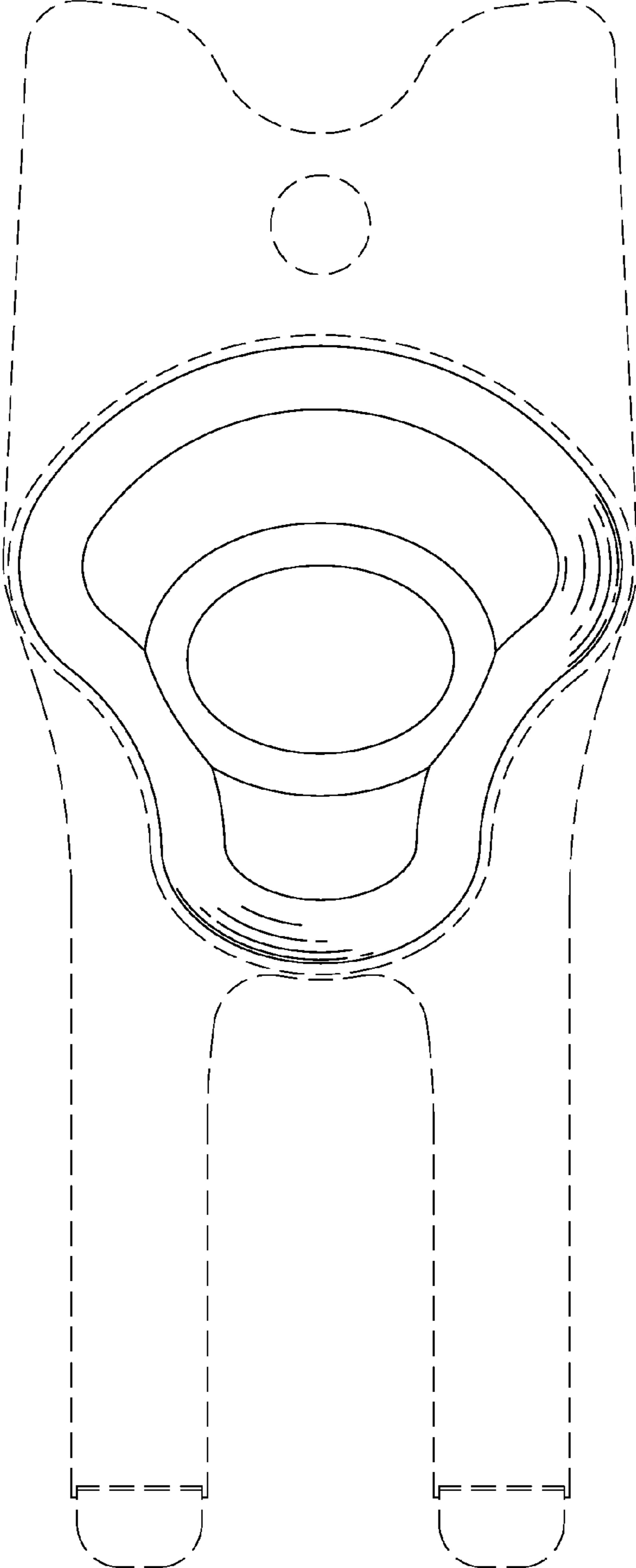
*FIG. 3*



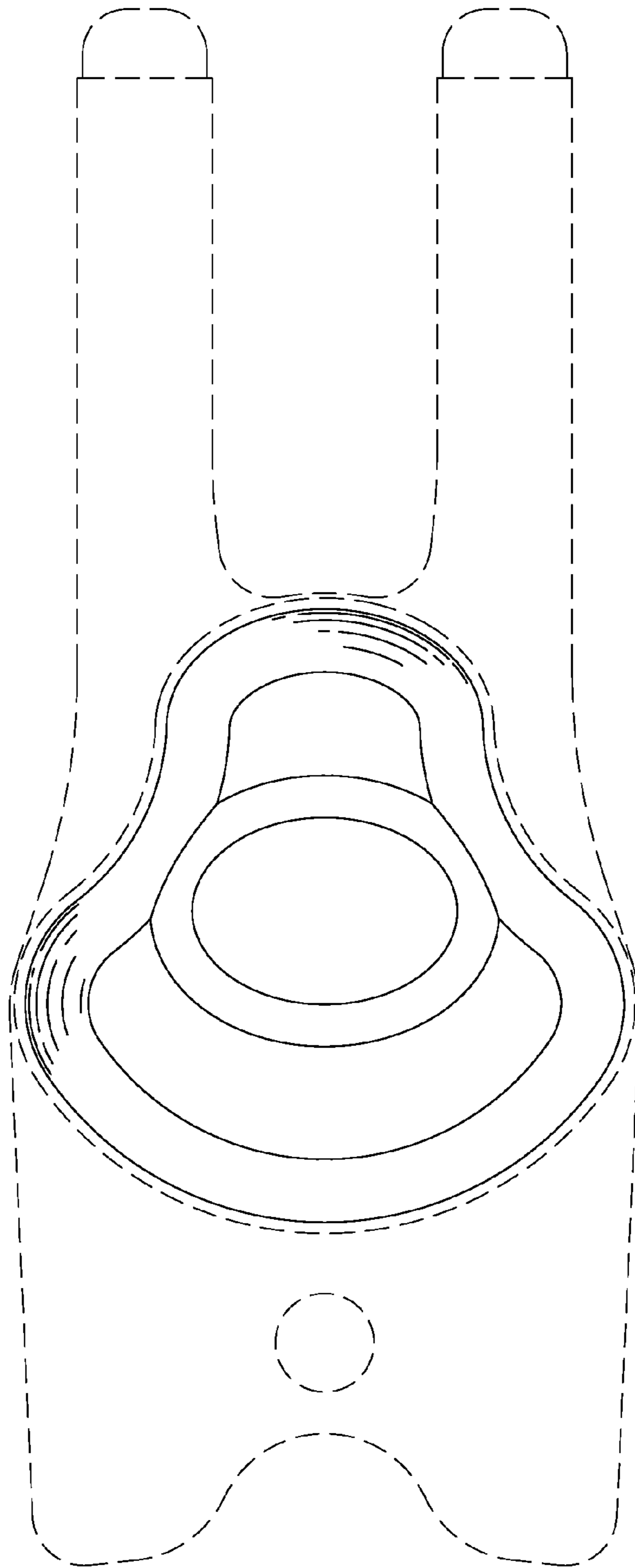
*FIG. 4*



*FIG. 5*



**FIG. 6**



***FIG. 7***