

US00D687153S

(12) **United States Design Patent**
Torzilli

(10) **Patent No.:** **US D687,153 S**
(45) **Date of Patent:** **** Jul. 30, 2013**

(54) **PROBE FOR AN ULTRASOUND MACHINE**

(75) Inventor: **Guido Torzilli**, Milan (IT)

(73) Assignee: **Esaote S.p.A.**, Milan (IT)

(**) Term: **14 Years**

(21) Appl. No.: **29/418,627**

(22) Filed: **Apr. 18, 2012**

(30) **Foreign Application Priority Data**

Oct. 20, 2011 (EM) 001935354-0001

(51) **LOC (9) Cl.** **24-01**

(52) **U.S. Cl.**
USPC **D24/187**

(58) **Field of Classification Search**

USPC D24/127-131, 112-114, 133, 186,
D24/147, 187, 158, 170; 606/162, 180, 181,
606/185, 161; 604/264, 272, 115, 1, 2, 19,
604/3, 309, 73, 540, 232, 187, 158, 164.08,
604/192, 263, 163, 181, 184, 198, 227; 600/572,
600/101, 139, 143, 407, 459; 128/200.24,
128/207.14, 207.151; 132/317; 401/196
See application file for complete search history.

(56) **References Cited**

U.S. PATENT DOCUMENTS

D369,410 S * 4/1996 Holt D24/147
D389,918 S * 1/1998 Ninomiya et al. D24/186
D392,044 S * 3/1998 Mesaros et al. D24/186

5,792,159 A * 8/1998 Amin 606/161
D477,664 S * 7/2003 Wong D24/133
D544,606 S * 6/2007 Hasegawa et al. D24/186
D555,252 S * 11/2007 Kitayama et al. D24/186
D621,928 S * 8/2010 Tobien D24/129
D622,401 S * 8/2010 Suzuki D24/186
D652,139 S * 1/2012 Shah D24/133
D653,811 S * 2/2012 BenZion D24/133
D667,111 S * 9/2012 Robinson D24/133
D667,115 S * 9/2012 Caballero D24/133

* cited by examiner

Primary Examiner — David Muller

(74) *Attorney, Agent, or Firm* — Themis Law

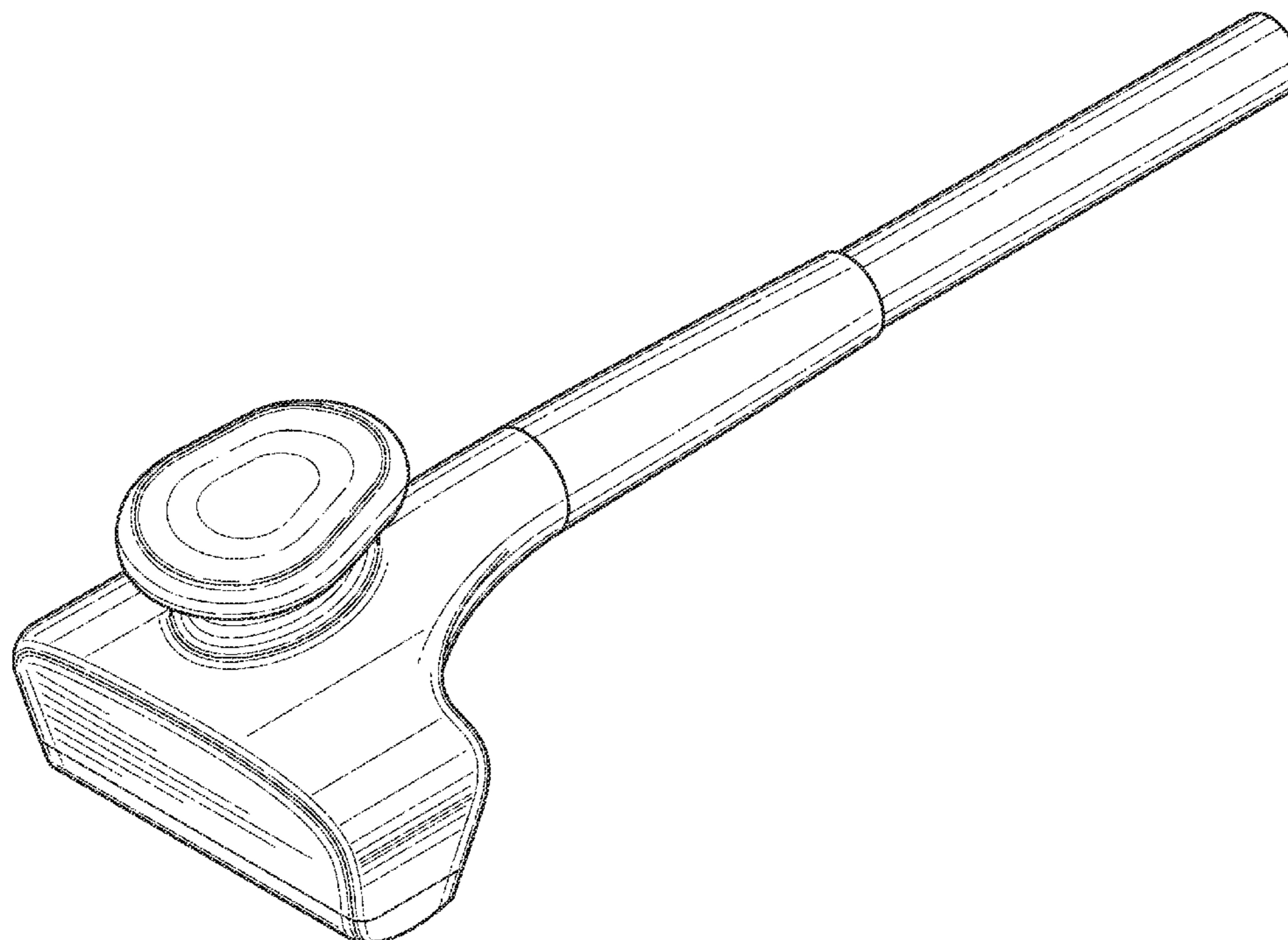
(57) **CLAIM**

The ornamental design for a probe for an ultrasound machine, as shown and described.

DESCRIPTION

FIG. 1 is a perspective view of a probe for an ultrasound machine showing my new design;
FIG. 2 is a front elevational view thereof;
FIG. 3 is a rear elevational view thereof;
FIG. 4 is a right side elevational view thereof;
FIG. 5 is a left side elevational view thereof;
FIG. 6 is a top plan view thereof; and,
FIG. 7 is a bottom plan view thereof.
The features shown in broken lines in FIG. 3 depict environmental subject matter only and form no part of the claimed design.

1 Claim, 6 Drawing Sheets



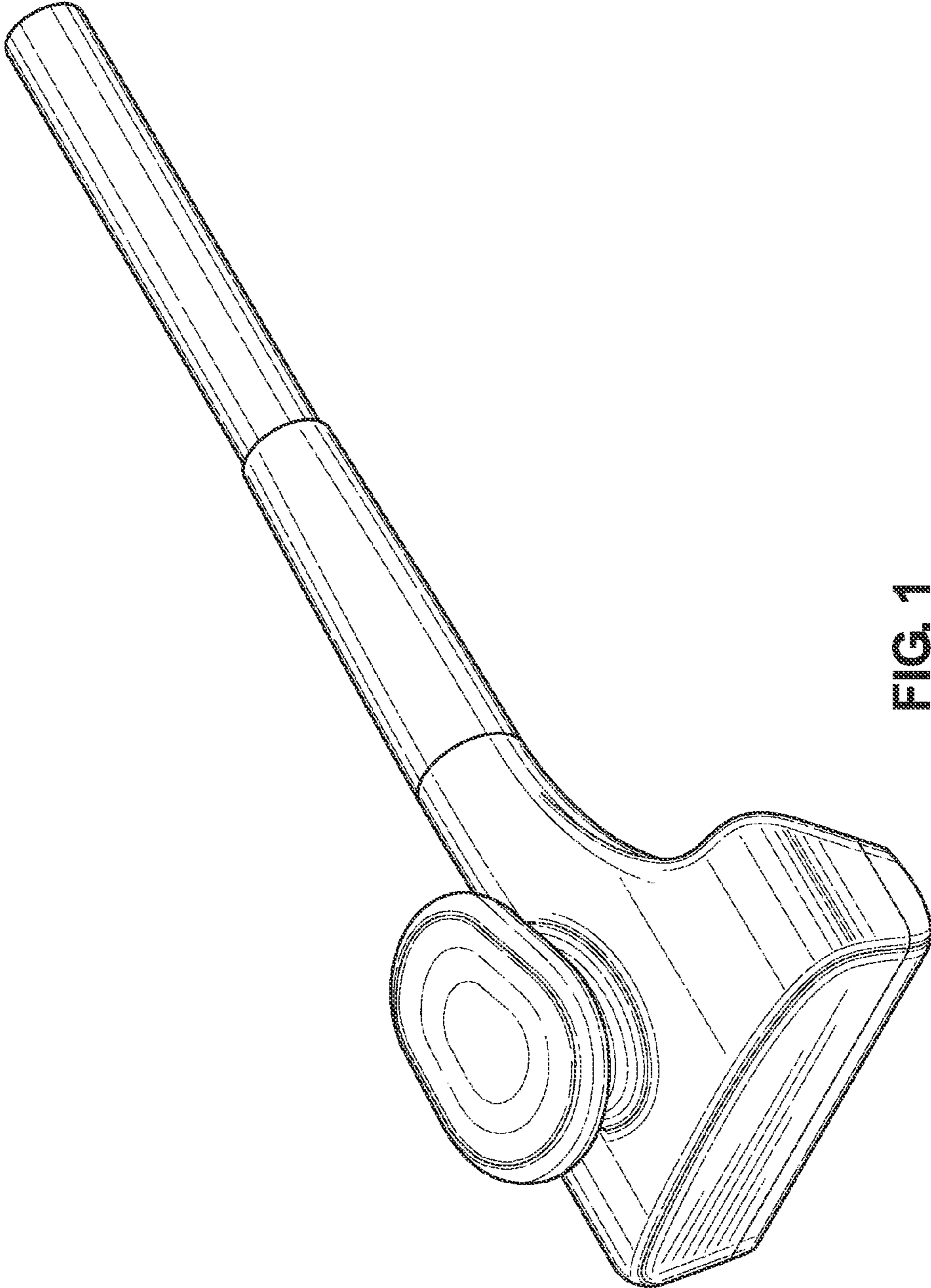


FIG. 1

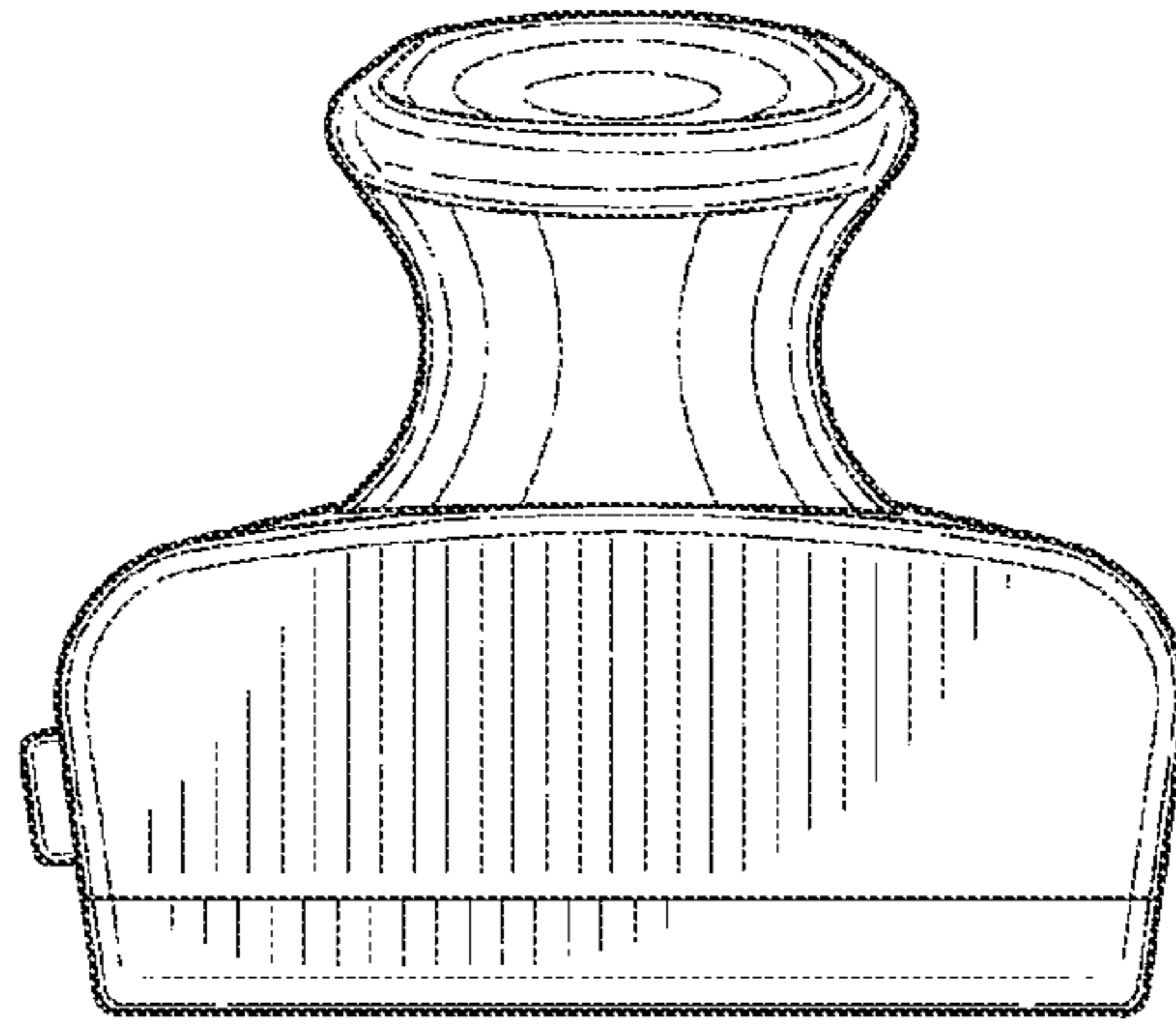


FIG. 2

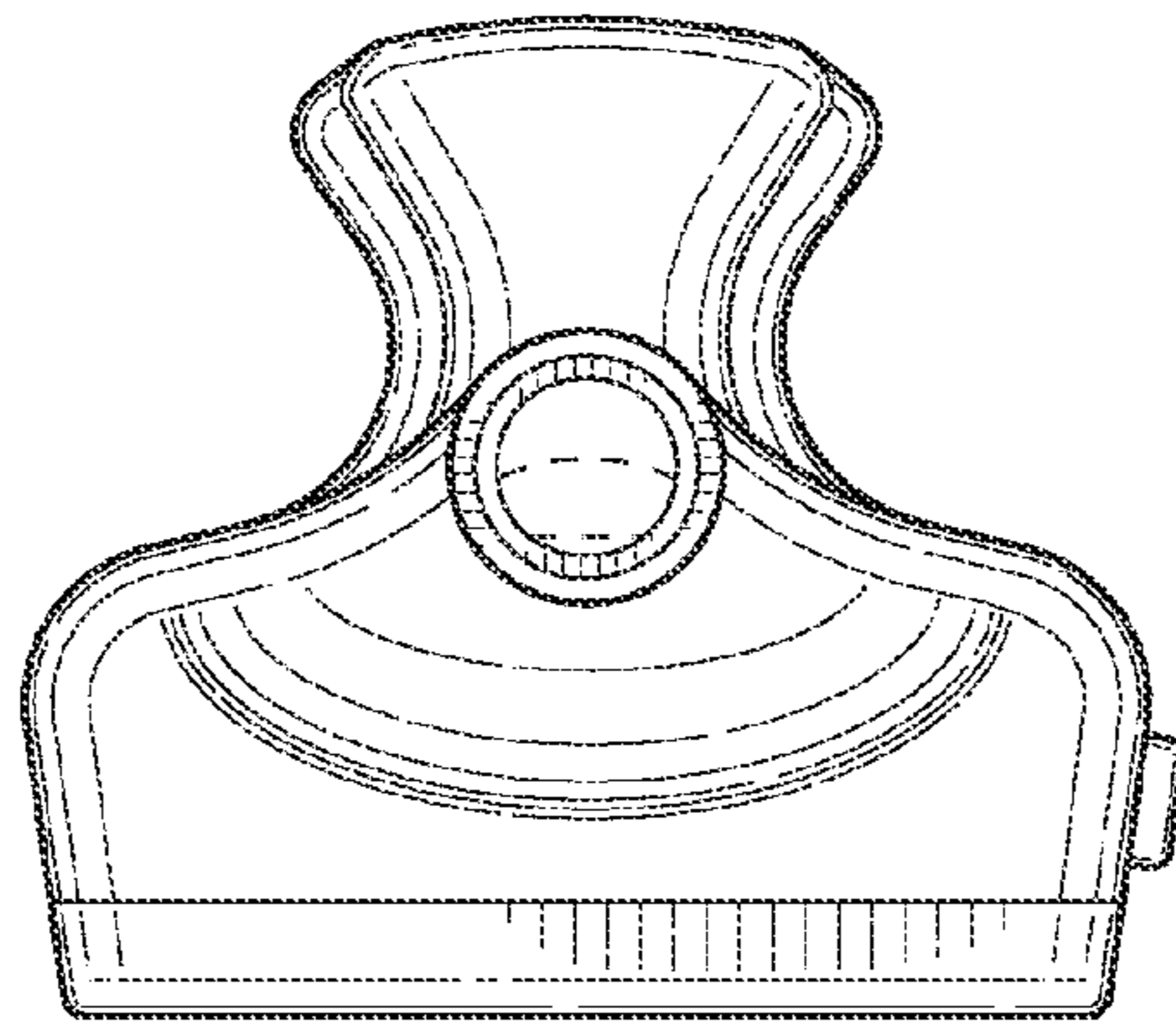


FIG. 3

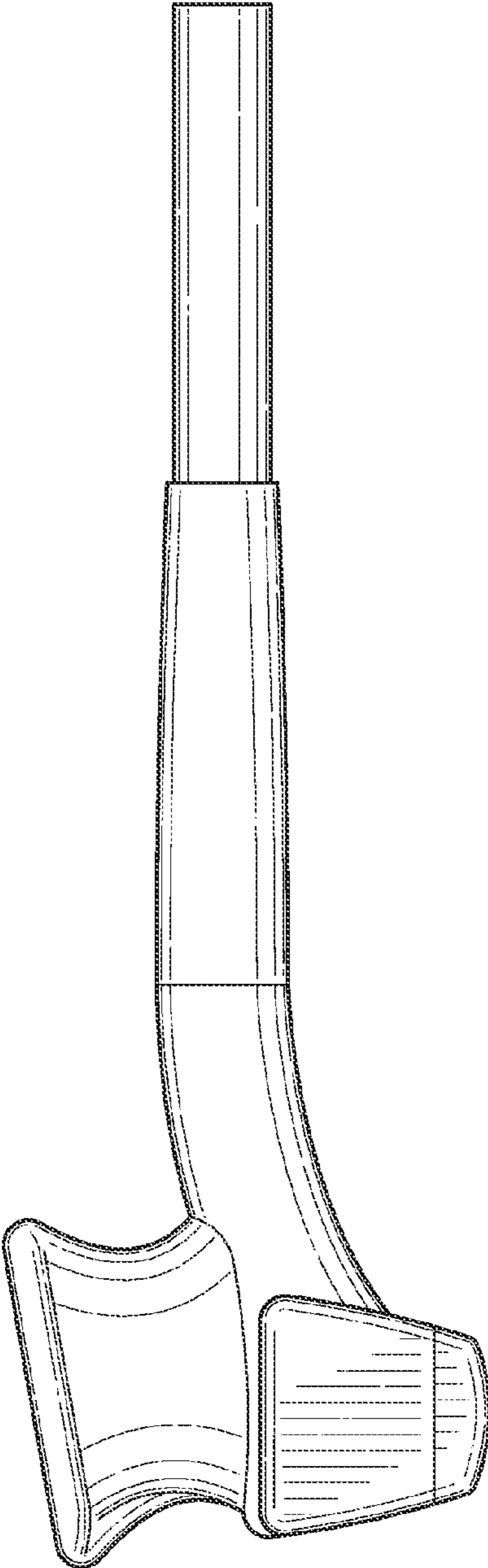


FIG. 4

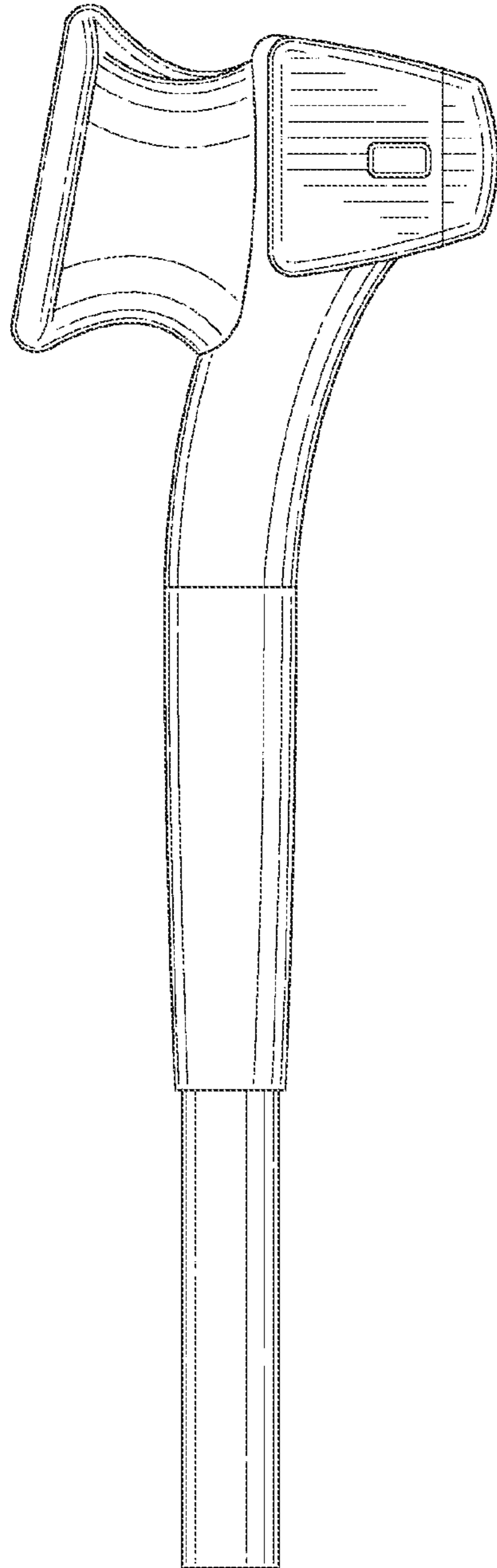


FIG. 5

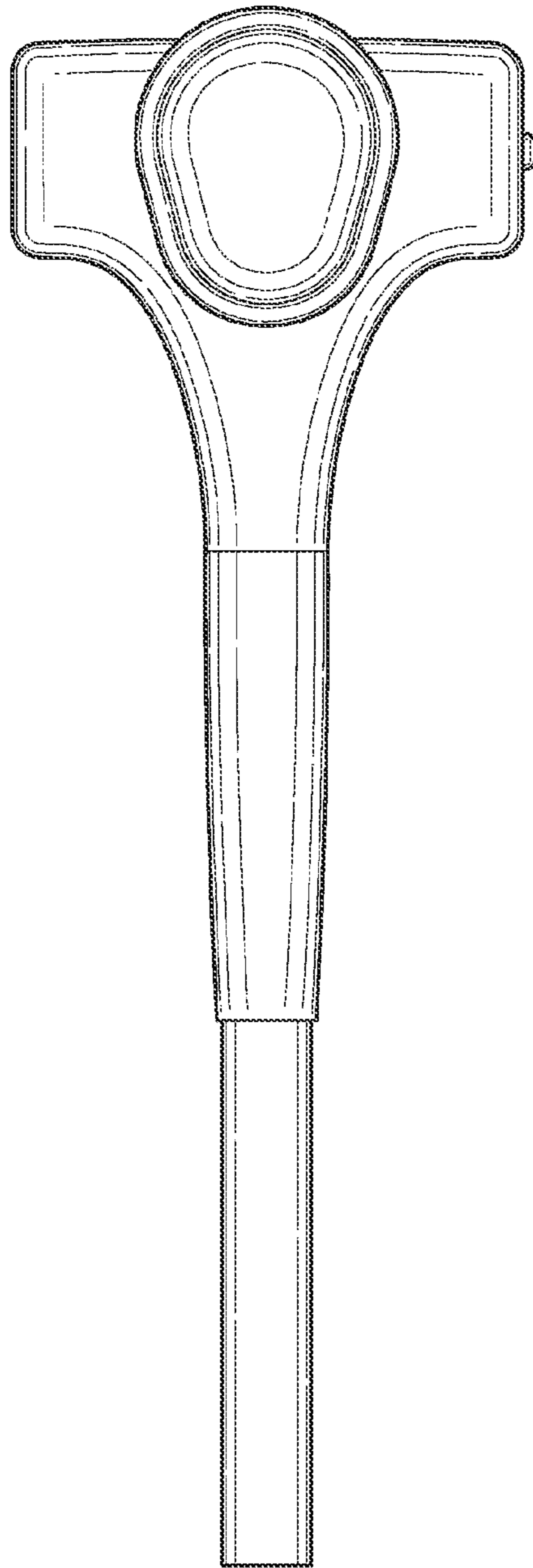


FIG. 6

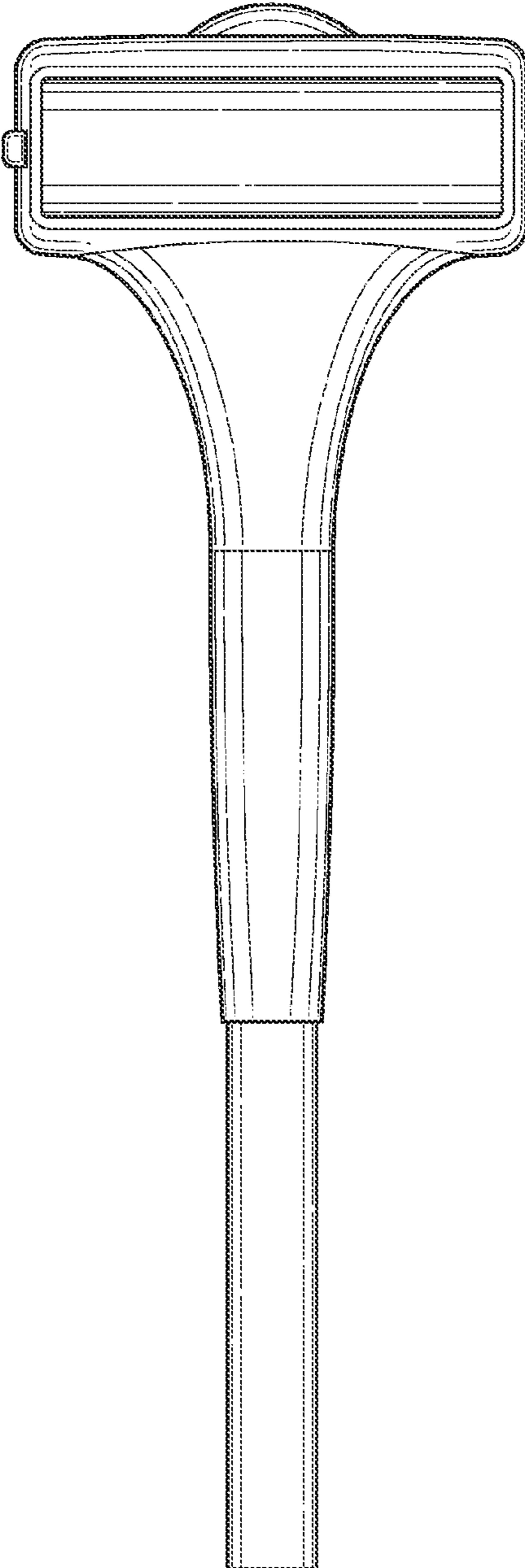


FIG. 7