



US00D687151S

(12) **United States Design Patent**  
**Yokoyama et al.**

(10) **Patent No.:** **US D687,151 S**  
(45) **Date of Patent:** **\*\* Jul. 30, 2013**

(54) **ULTRASOUND DIAGNOSTIC APPARATUS**

(75) Inventors: **Masaru Yokoyama**, Tokyo (JP); **Atsushi Ninomiya**, Tokyo (JP); **Masaru Inoue**, Tokyo (JP)

(73) Assignee: **Hitachi Medical Corporation**, Tokyo (JP)

(\*\*) Term: **14 Years**

(21) Appl. No.: **29/360,909**

(22) Filed: **May 3, 2010**

(30) **Foreign Application Priority Data**

Nov. 4, 2009 (JP) ..... 2009-25731

(51) **LOC (9) Cl.** ..... **24-01**

(52) **U.S. Cl.**  
USPC ..... **D24/186**

(58) **Field of Classification Search**

USPC ..... D24/111, 158-161, 167, 169, 185; 378/4, 378/15, 17, 20, 21, 23-27, 62, 68, 146; 128/916, 128/922; 600/437, 440, 442, 443; D14/381  
See application file for complete search history.

(56) **References Cited**

**U.S. PATENT DOCUMENTS**

D328,645 S \* 8/1992 Rogler et al. .... D24/186  
D340,769 S \* 10/1993 Bloom et al. .... D24/169  
D393,072 S \* 3/1998 Rogler ..... D24/186  
D395,513 S \* 6/1998 Rogler ..... D24/186  
D398,293 S \* 9/1998 Lindblom ..... D14/381  
D460,559 S \* 7/2002 Knieriem et al. .... D24/186  
D475,137 S \* 5/2003 Manke et al. .... D24/165

D491,270 S \* 6/2004 Barker ..... D24/186  
D512,151 S \* 11/2005 Ward et al. .... D24/111  
D536,794 S \* 2/2007 Knieriem et al. .... D24/186  
D536,795 S \* 2/2007 Knieriem et al. .... D24/186  
D549,831 S \* 8/2007 Ward et al. .... D24/186  
D552,741 S \* 10/2007 Zhou et al. .... D24/186  
D592,754 S \* 5/2009 Koike et al. .... D24/186  
D600,814 S \* 9/2009 Lathrop et al. .... D24/186  
D621,511 S \* 8/2010 Lathrop et al. .... D24/167  
D624,654 S \* 9/2010 Shimizu ..... D24/186

\* cited by examiner

*Primary Examiner* — T. Chase Nelson

*Assistant Examiner* — Mark Cavanna

(74) *Attorney, Agent, or Firm* — Antonelli, Terry, Stout & Kraus, LLP.

(57) **CLAIM**

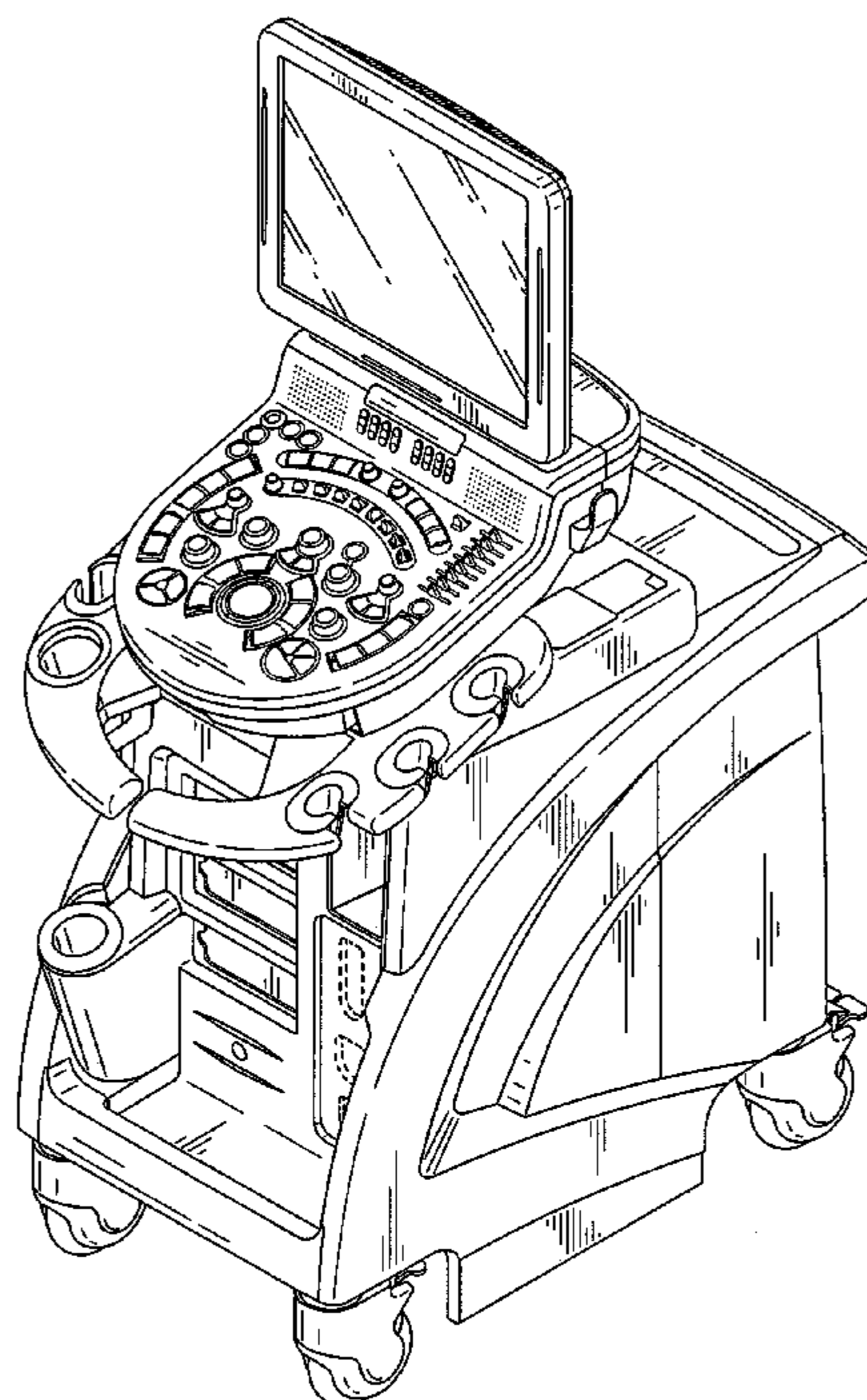
The ornamental design for an ultrasound diagnostic apparatus, as shown and described.

**DESCRIPTION**

FIG. 1 is a front, top and right side perspective view of ultrasound diagnostic apparatus showing our new design; FIG. 2 is a front elevational view thereof; FIG. 3 is a rear side elevational view thereof; FIG. 4 is a left side elevational view thereof; FIG. 5 is a right side elevational view thereof; FIG. 6 is a top plan view thereof; and, FIG. 7 is a bottom plan view thereof.

The broken lines are included for the purpose of illustrating unclaimed portions of the ultrasound diagnostic apparatus and form no part of the claimed design.

**1 Claim, 7 Drawing Sheets**



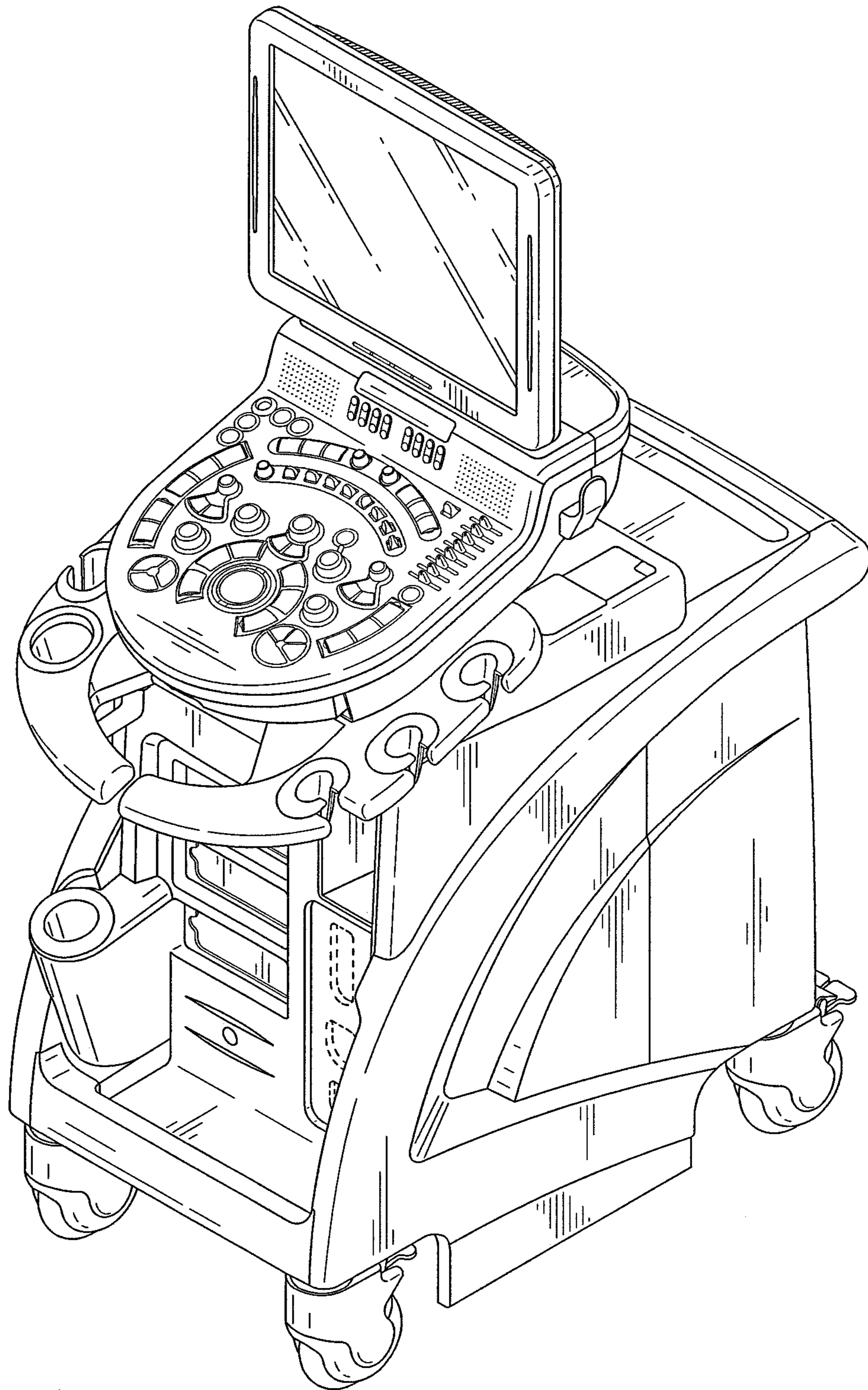


FIG. 1

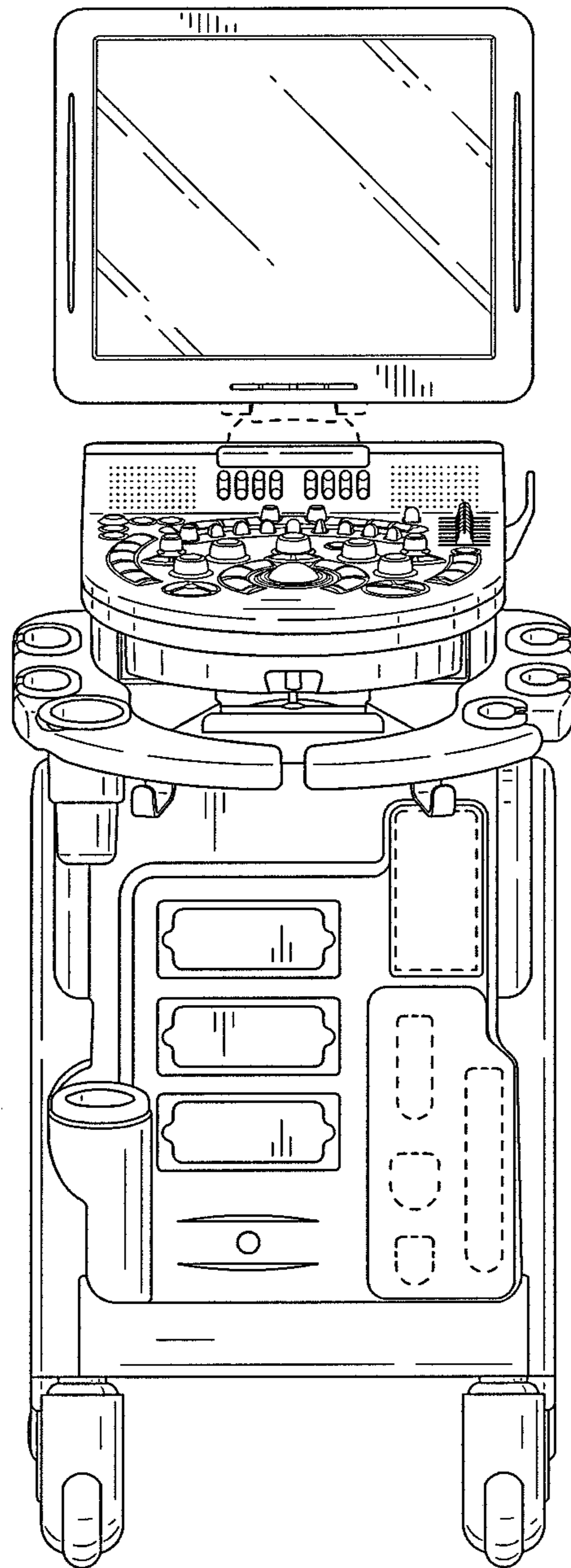


FIG. 2

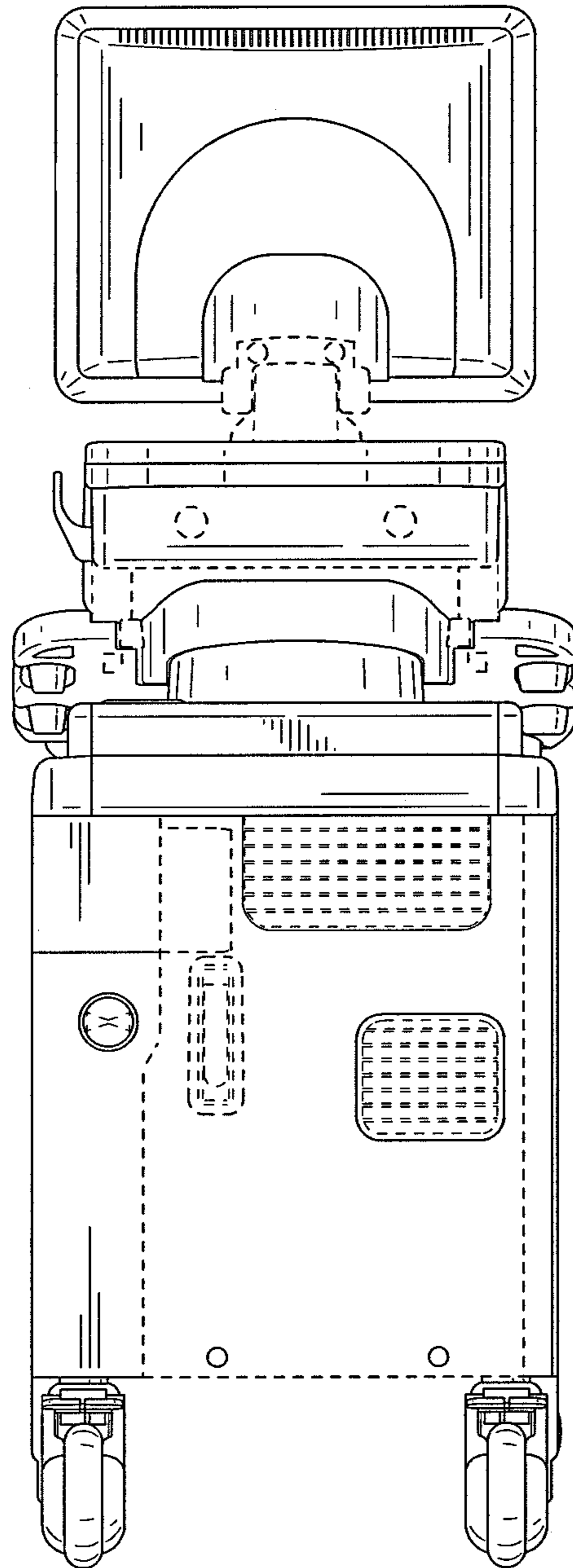


FIG. 3

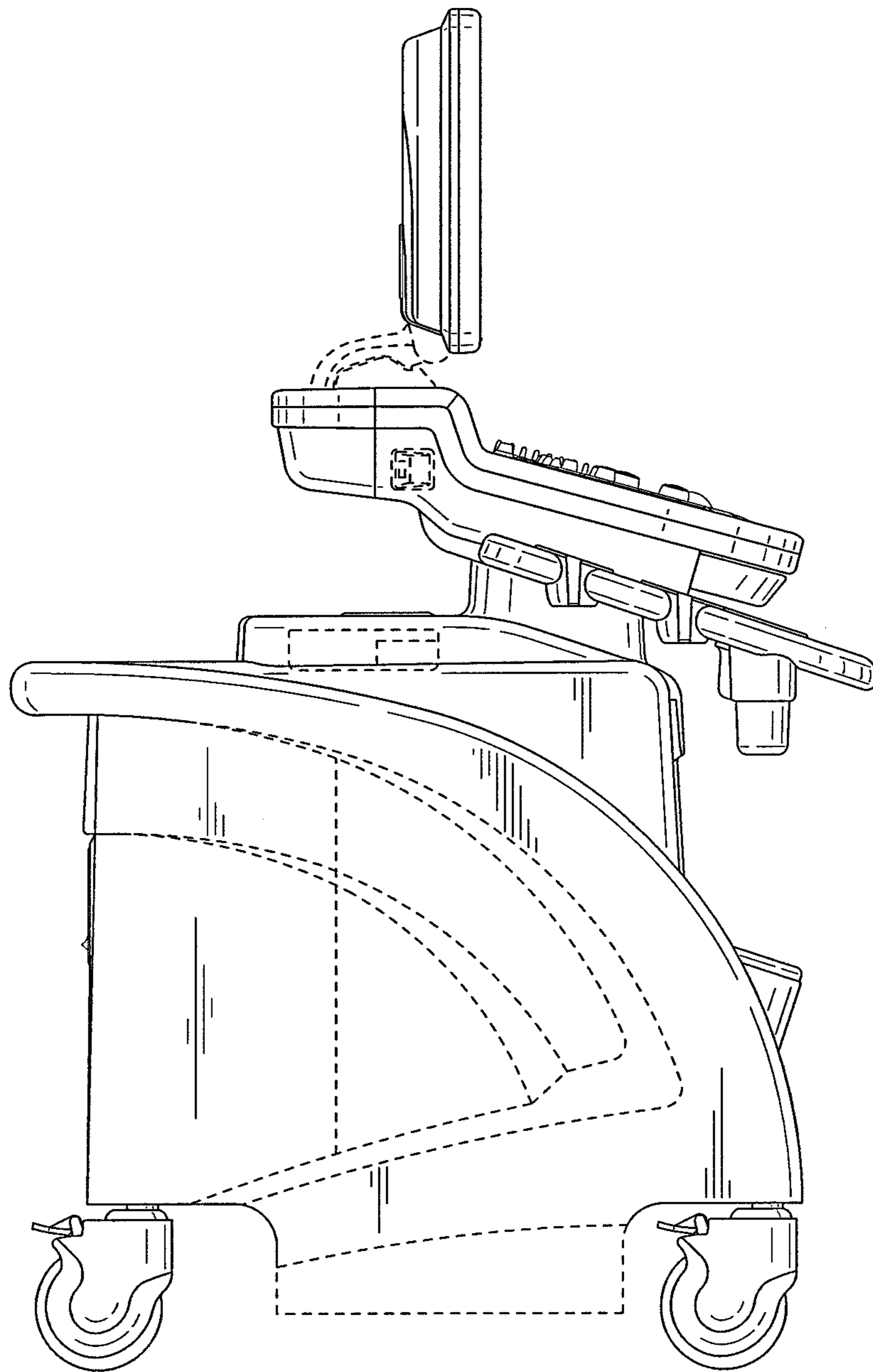


FIG. 4

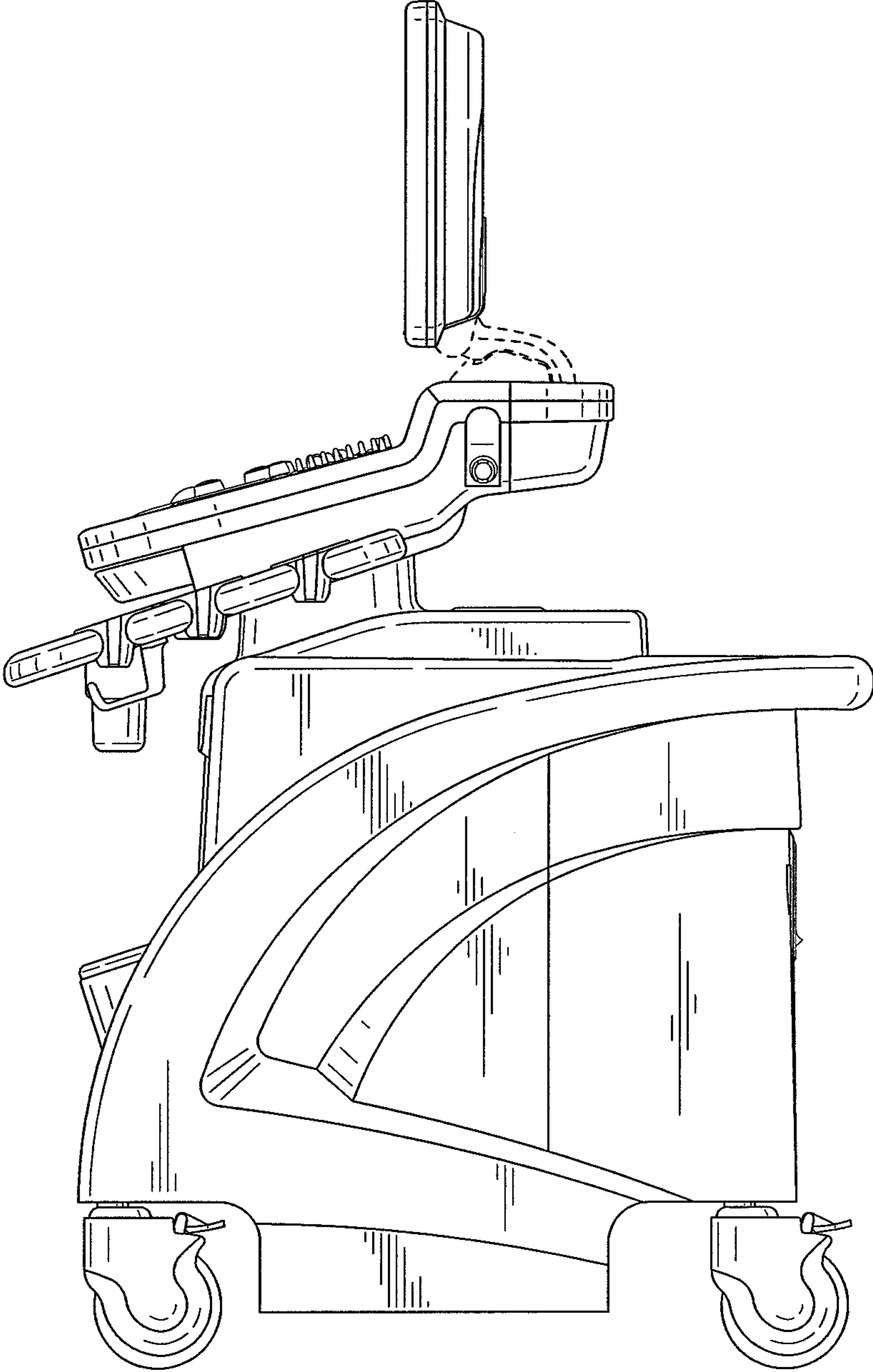


FIG. 5

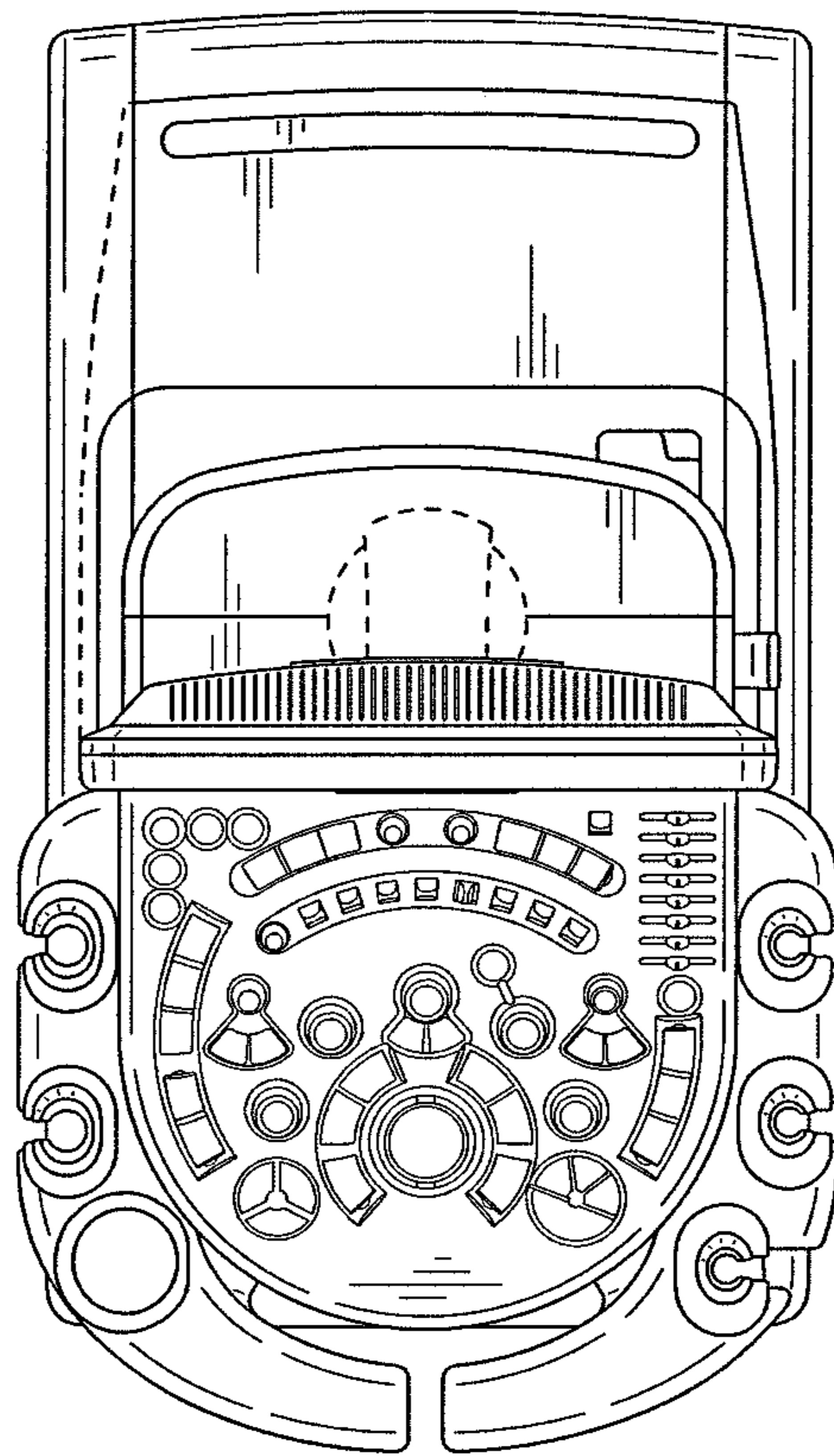
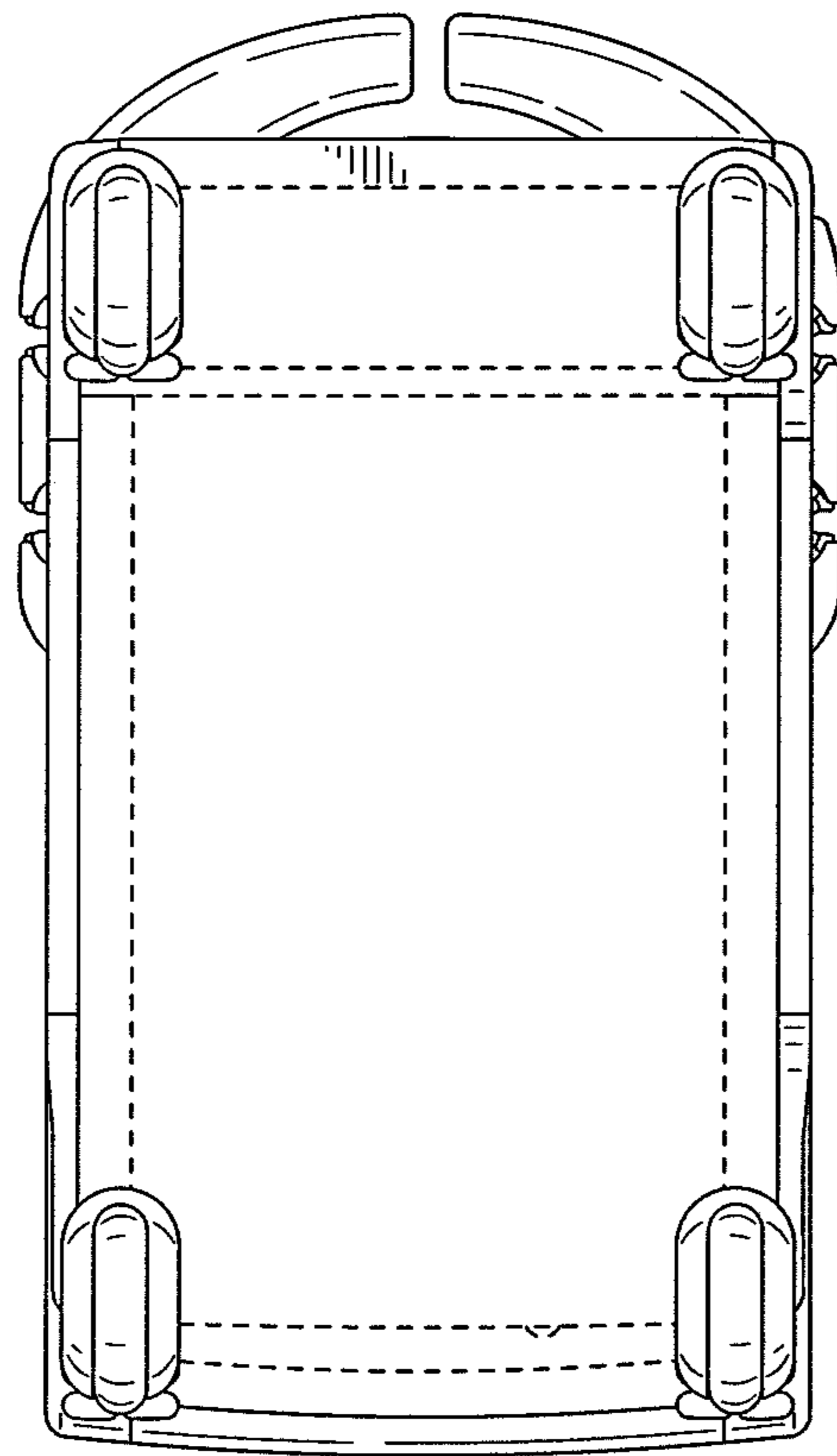


FIG. 6



*FIG. 7*