



US00D687150S

(12) **United States Design Patent**  
**Segman**

(10) **Patent No.:** **US D687,150 S**  
(45) **Date of Patent:** **\*\* Jul. 30, 2013**

(54) **FINGER MOUNTED NON-INVASIVE DEVICE FOR MEASURING PHYSIOLOGICAL PARAMETERS**

(75) Inventor: **Yosef Segman, Zichron Yaacov (IL)**

(73) Assignee: **Cnoga Medical Ltd., Or Akiva (IL)**

(\*\*) Term: **14 Years**

(21) Appl. No.: **29/327,070**

(22) Filed: **Oct. 30, 2008**

(51) **LOC (9) Cl.** ..... **24-02**

(52) **U.S. Cl.**  
USPC ..... **D24/186**

(58) **Field of Classification Search**  
USPC ..... D24/164–169, 107, 186, 187, 200,  
D24/114; D10/46, 70, 75, 98; 600/301,  
481–483, 485, 490, 493–495, 500, 503, 509,  
600/323, 335, 340, 352, 344; 128/900  
See application file for complete search history.

(56) **References Cited**

**U.S. PATENT DOCUMENTS**

4,685,464	A *	8/1987	Goldberger et al.	.....	600/500
D392,740	S *	3/1998	Yung et al.	.....	D24/169
D455,834	S *	4/2002	Donars et al.	.....	D24/169
D459,478	S *	6/2002	Perricone	.....	D24/200
D459,479	S *	6/2002	Perricone	.....	D24/200
D463,561	S *	9/2002	Fukatsu et al.	.....	D24/165
7,477,924	B2 *	1/2009	Chin	.....	600/323
D603,966	S *	11/2009	Jones et al.	.....	D24/164
D615,655	S *	5/2010	Maser et al.	.....	D24/169
D621,516	S *	8/2010	Kiani et al.	.....	D24/186
7,881,762	B2 *	2/2011	Kling et al.	.....	600/344
D639,956	S *	6/2011	Bain et al.	.....	D24/169
D646,391	S *	10/2011	Ibuki et al.	.....	D24/165
8,060,171	B2 *	11/2011	Hoarau et al.	.....	600/344
2009/0043180	A1 *	2/2009	Tschautscher et al.	.....	600/323

\* cited by examiner

*Primary Examiner* — T. Chase Nelson  
*Assistant Examiner* — Mark Cavanna

(74) *Attorney, Agent, or Firm* — Mark M. Friedman

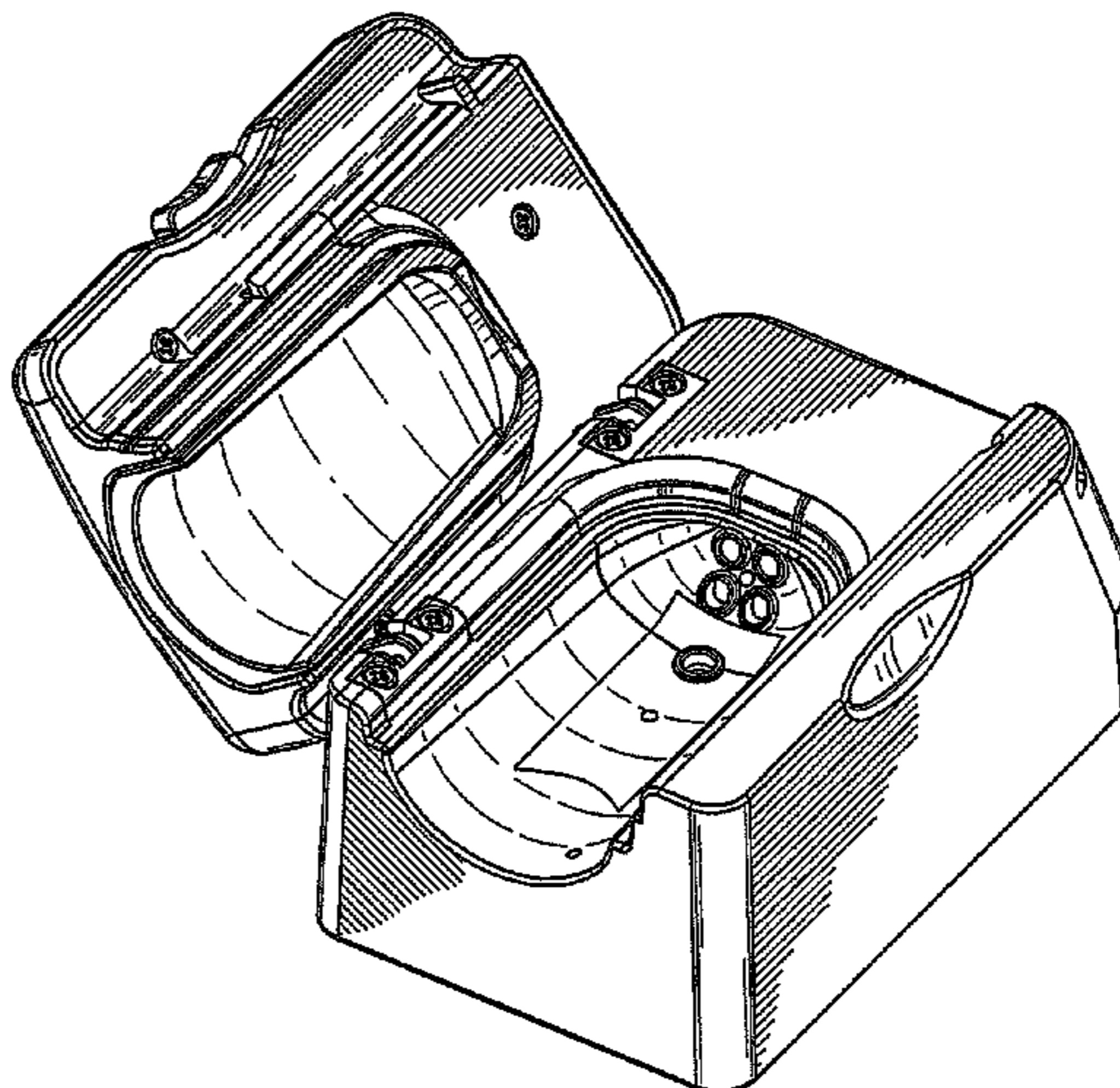
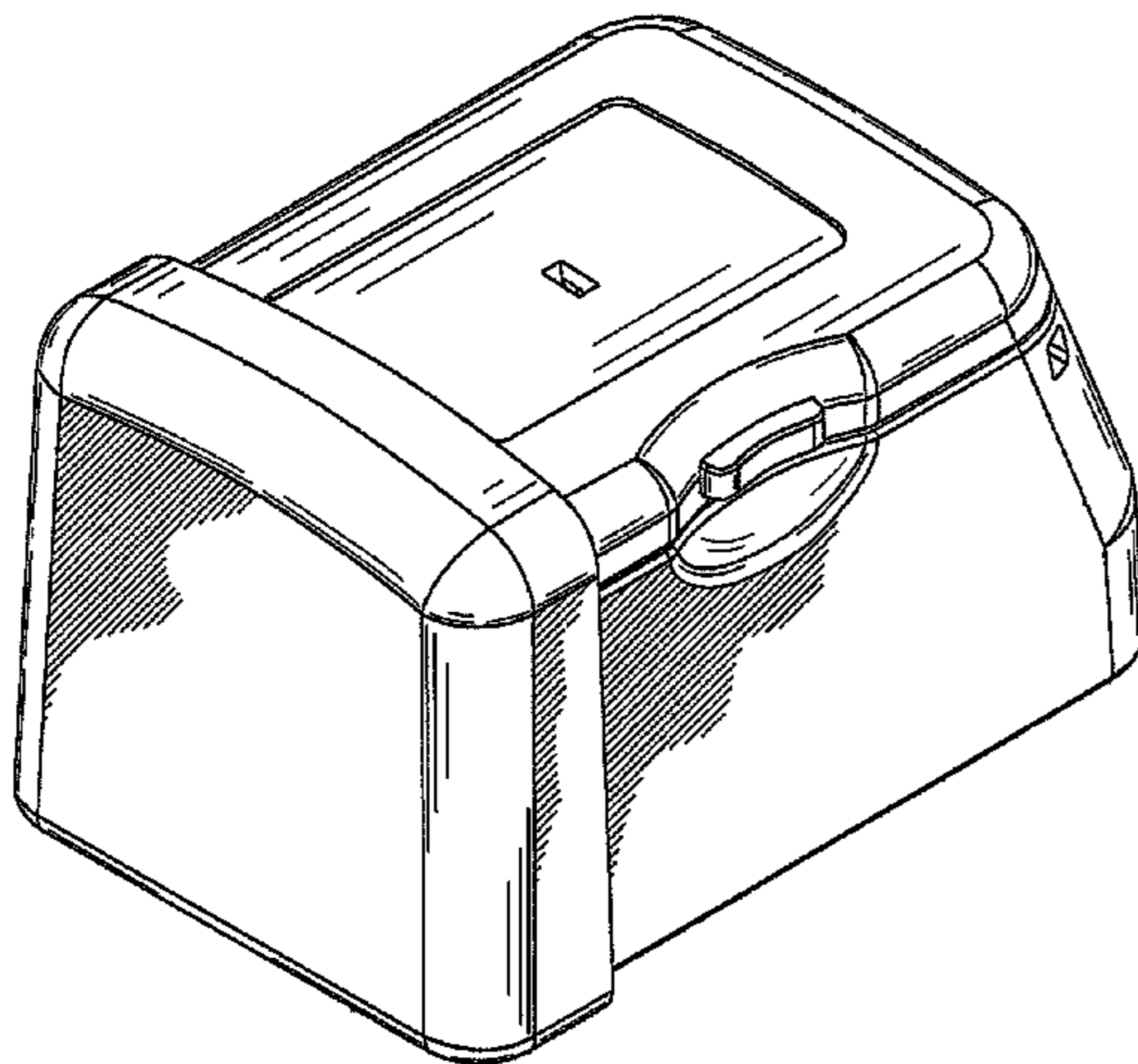
(57) **CLAIM**

I claim the ornamental design for finger mounted non-invasive device for measuring physiological parameters, as shown and described.

**DESCRIPTION**

FIG. 1 is an isometric top view of a finger mounted non-invasive device for measuring physiological parameters showing my new design with the device shown in the closed position with the lid portion attached;  
 FIG. 2 is a right side view thereof;  
 FIG. 3 is a left side view thereof;  
 FIG. 4 is a rear side view thereof;  
 FIG. 5 is a front view thereof;  
 FIG. 6 is a bottom view thereof;  
 FIG. 7 is a top view thereof;  
 FIG. 8 is an isometric top view with the lid portion removed;  
 FIG. 9 is a right side view thereof;  
 FIG. 10 is a left side view thereof;  
 FIG. 11 is a rear view thereof;  
 FIG. 12 is a frontal view thereof;  
 FIG. 13 is a bottom view thereof;  
 FIG. 14 is a top view thereof;  
 FIG. 15 is an isometric top view with the lid portion removed and device in an open position;  
 FIG. 16 is a right side view thereof;  
 FIG. 17 is a left side view thereof;  
 FIG. 18 is a rear view thereof;  
 FIG. 19 is a front view thereof;  
 FIG. 20 is a bottom view thereof;  
 FIG. 21 is a top view thereof;  
 FIG. 22 is another isometric top view thereof showing the location of the enlarged partial view shown in FIG. 21; and,  
 FIG. 23 is another isometric top view.  
 The broken lines are included for the purpose of illustrating unclaimed portions of the finger mounted non-invasive device for measuring physiological parameters and form no part of the claimed design.

**1 Claim, 23 Drawing Sheets**



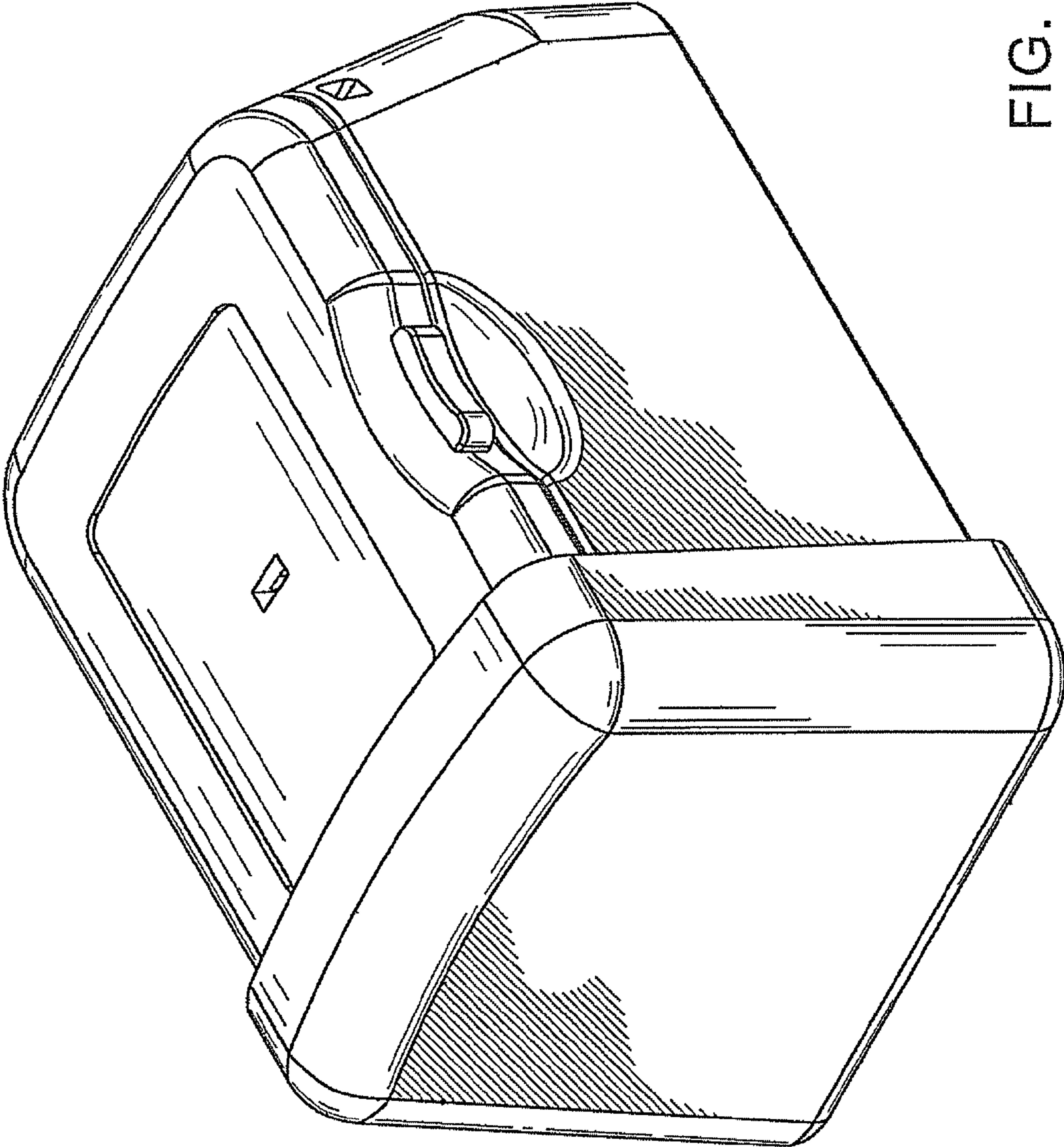


FIG. 1



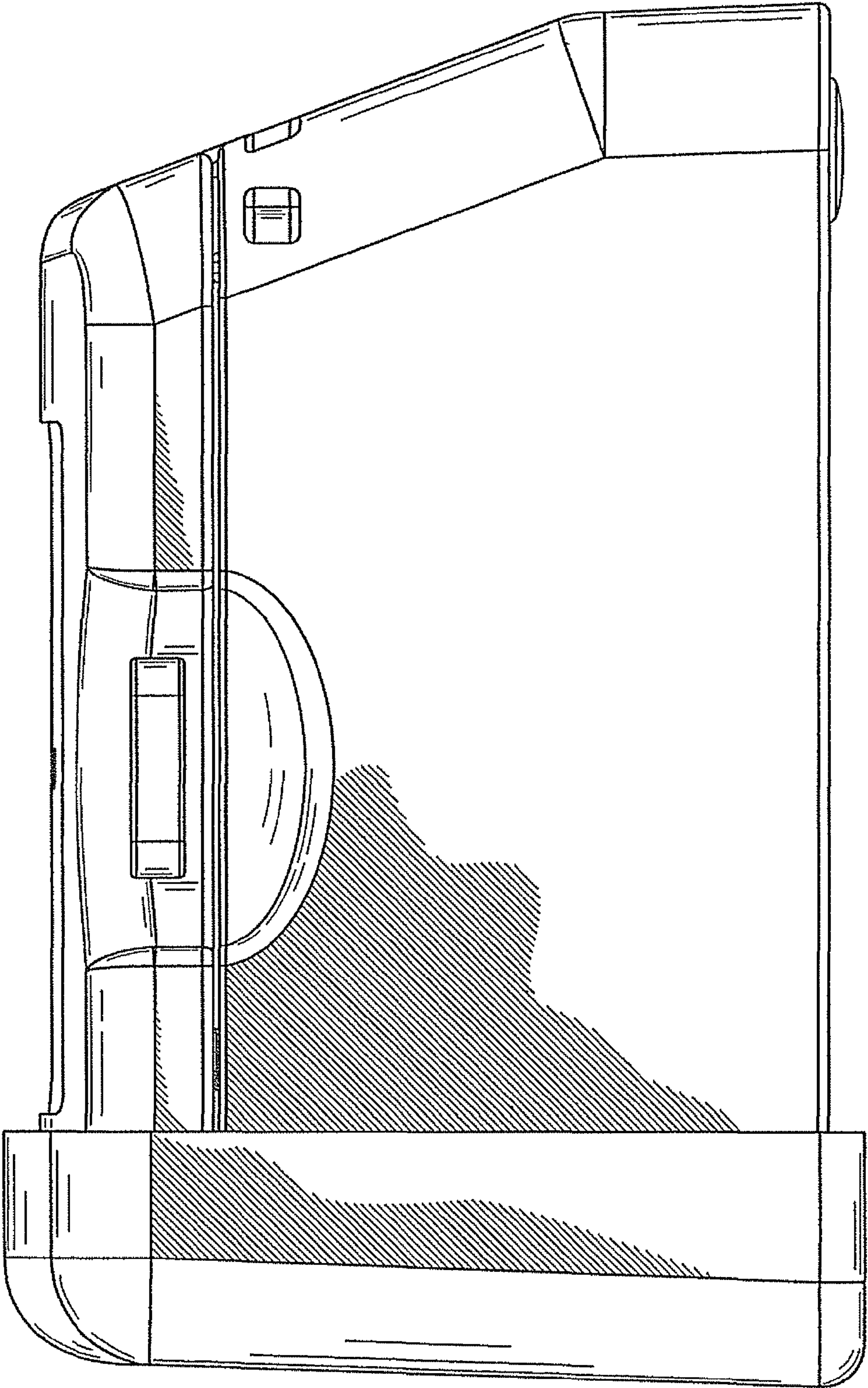


FIG. 2

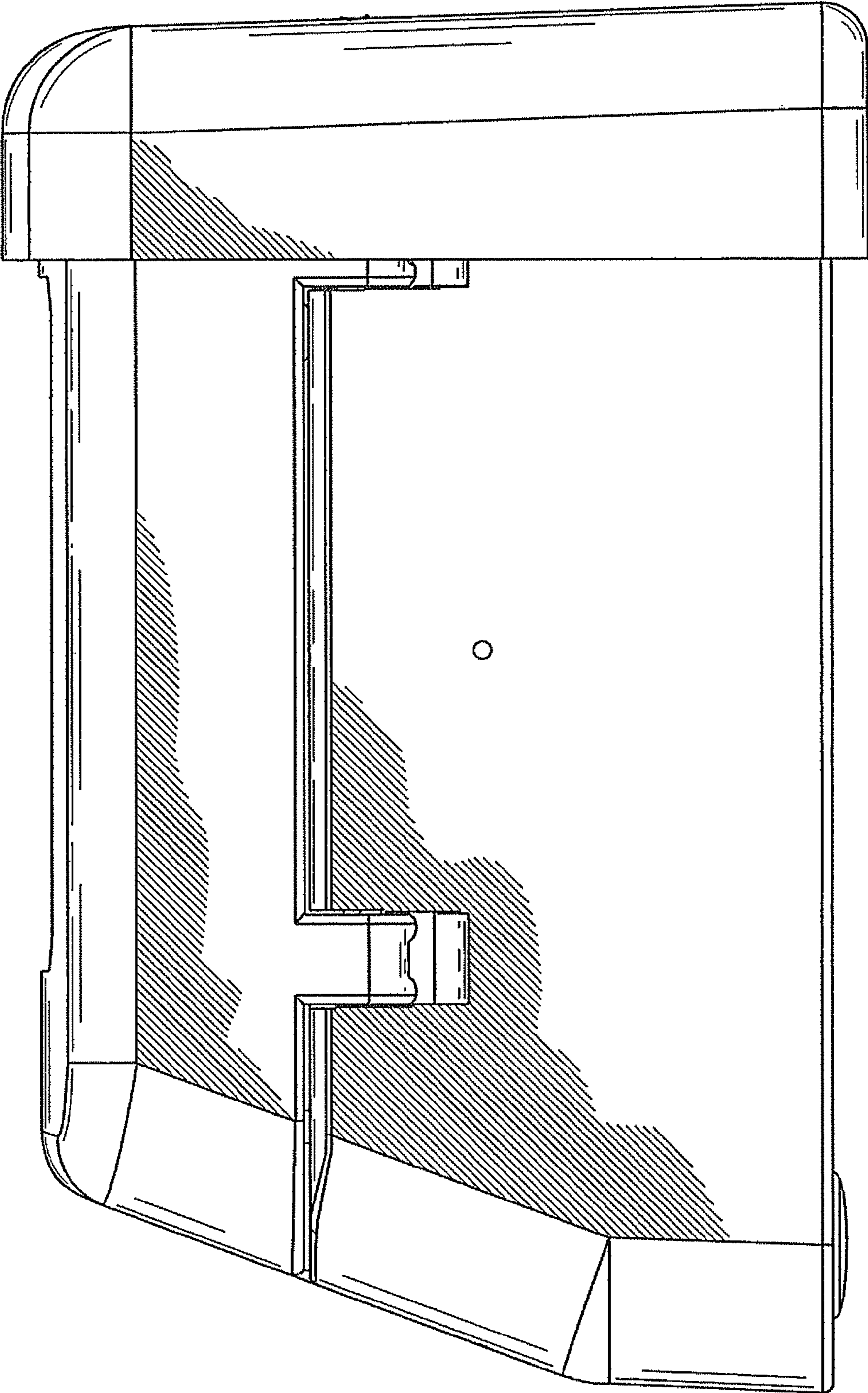


FIG. 3



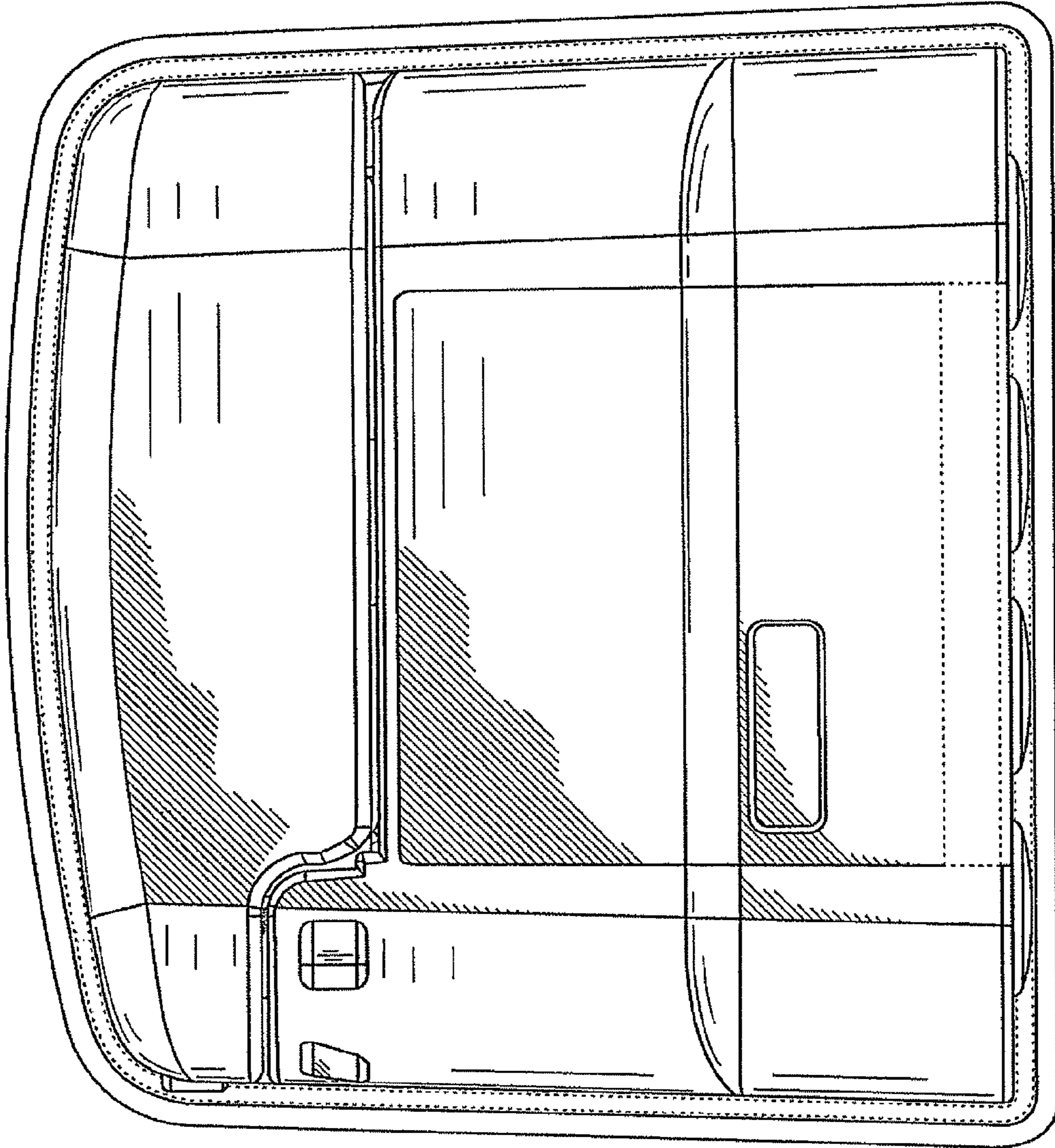


FIG. 4

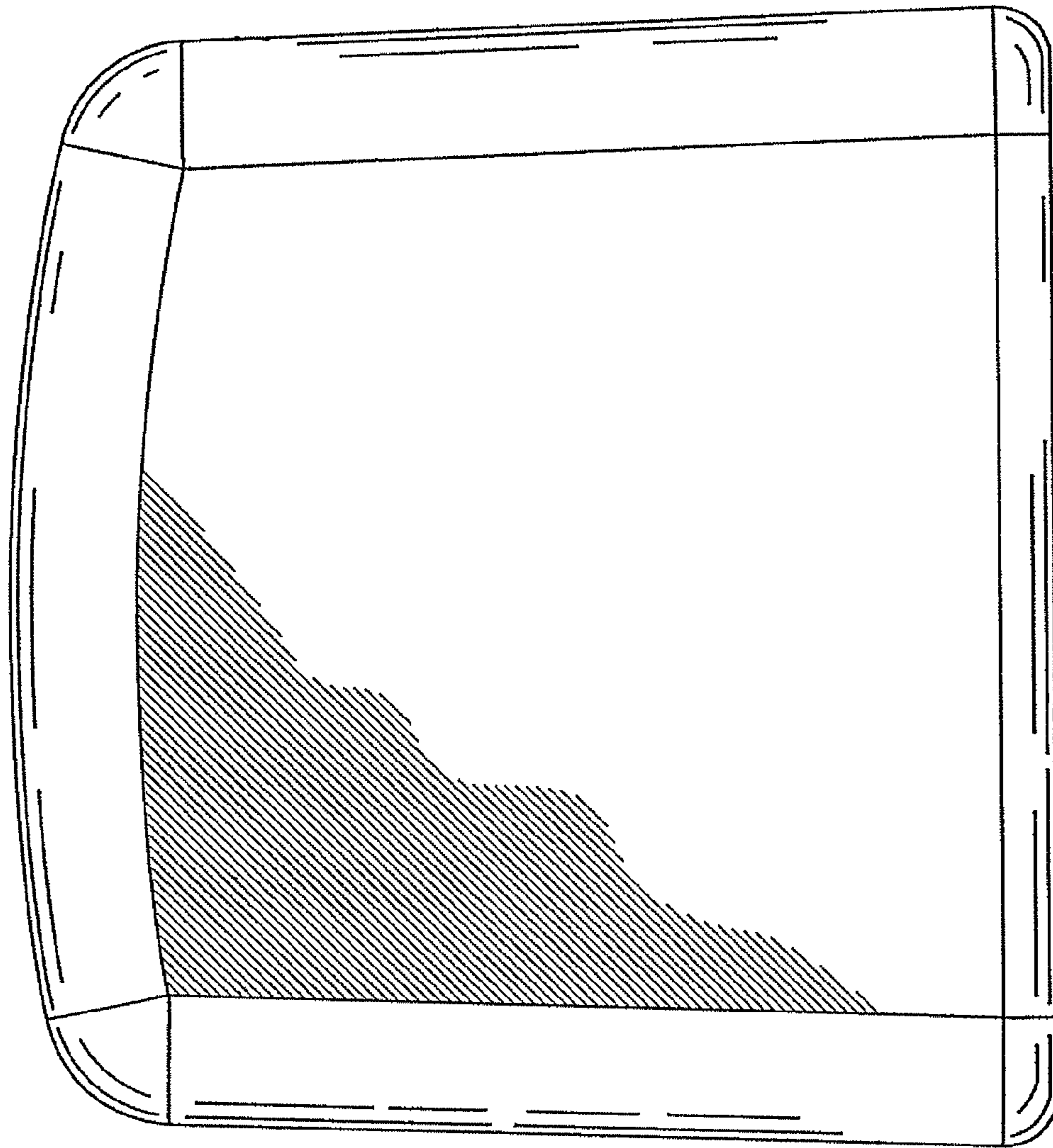


FIG. 5

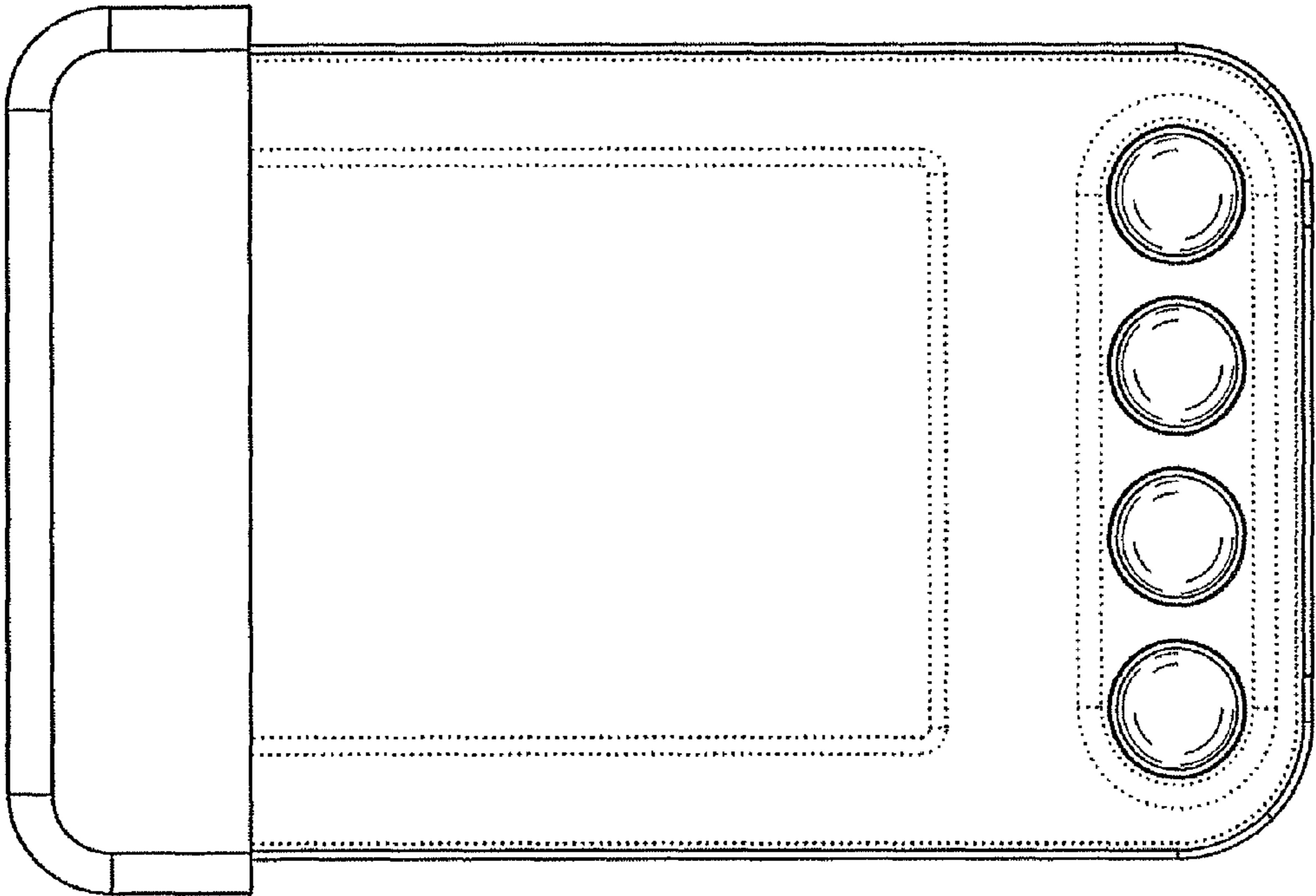


FIG. 6

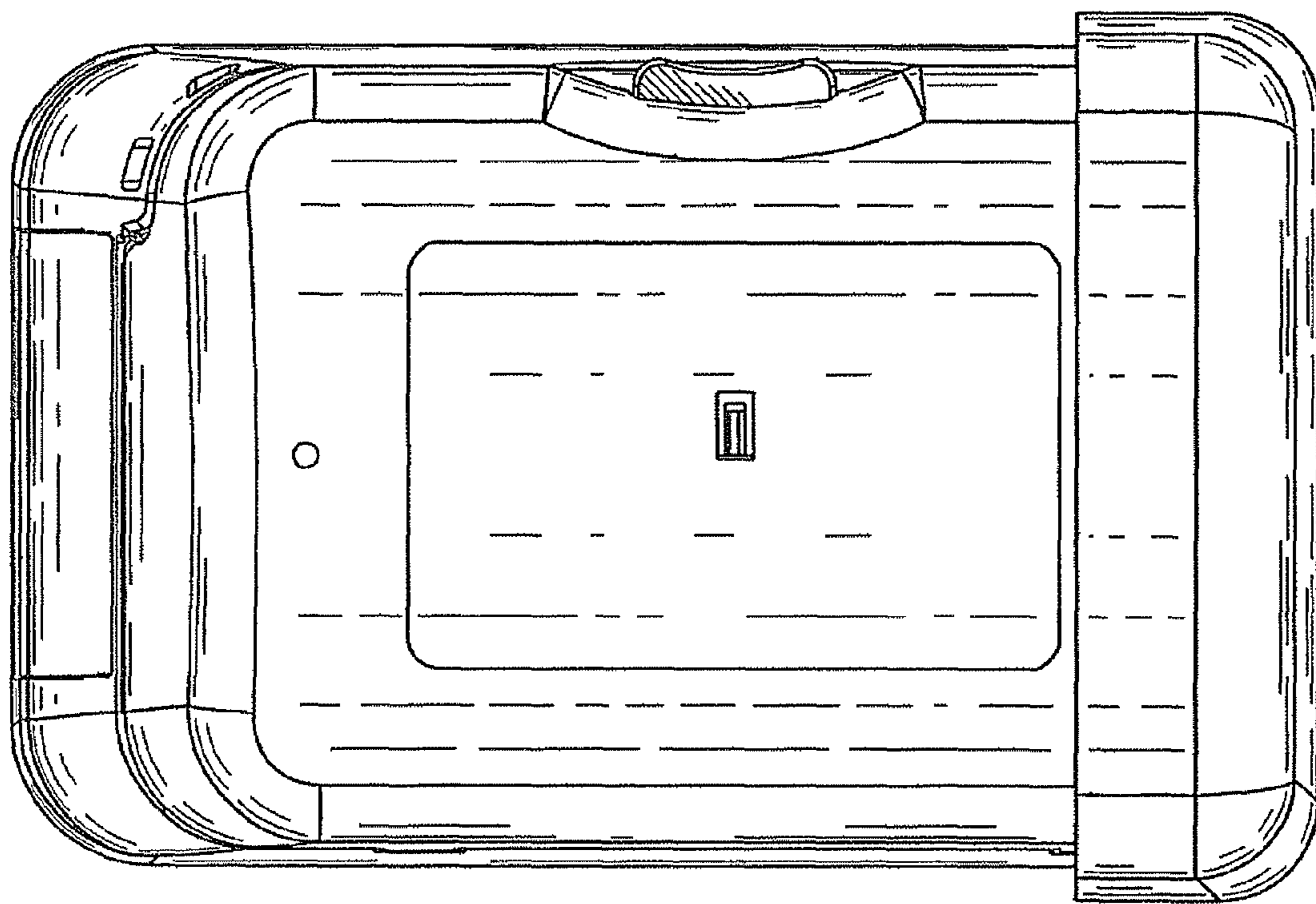


FIG. 7



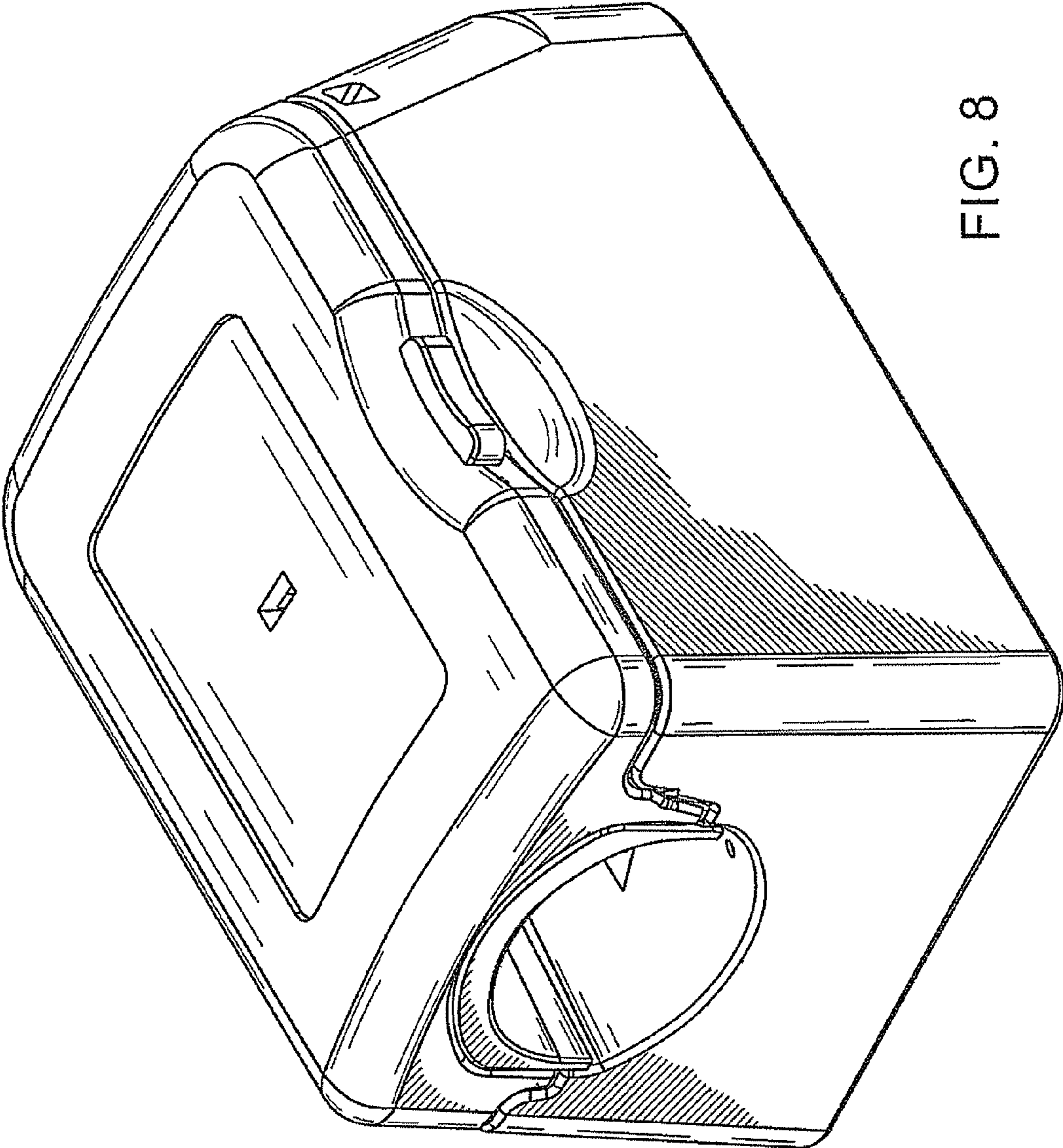


FIG. 8

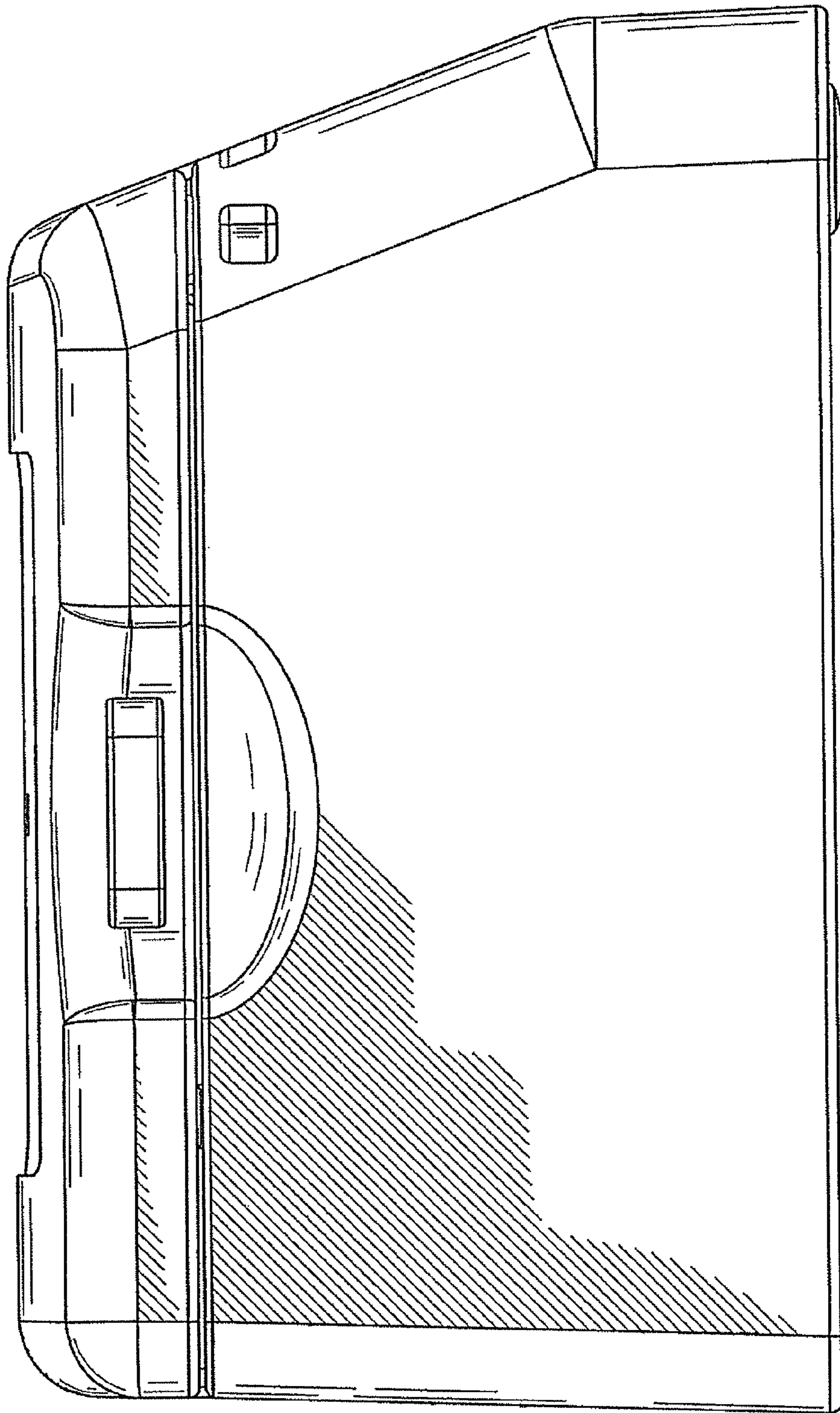


FIG. 9

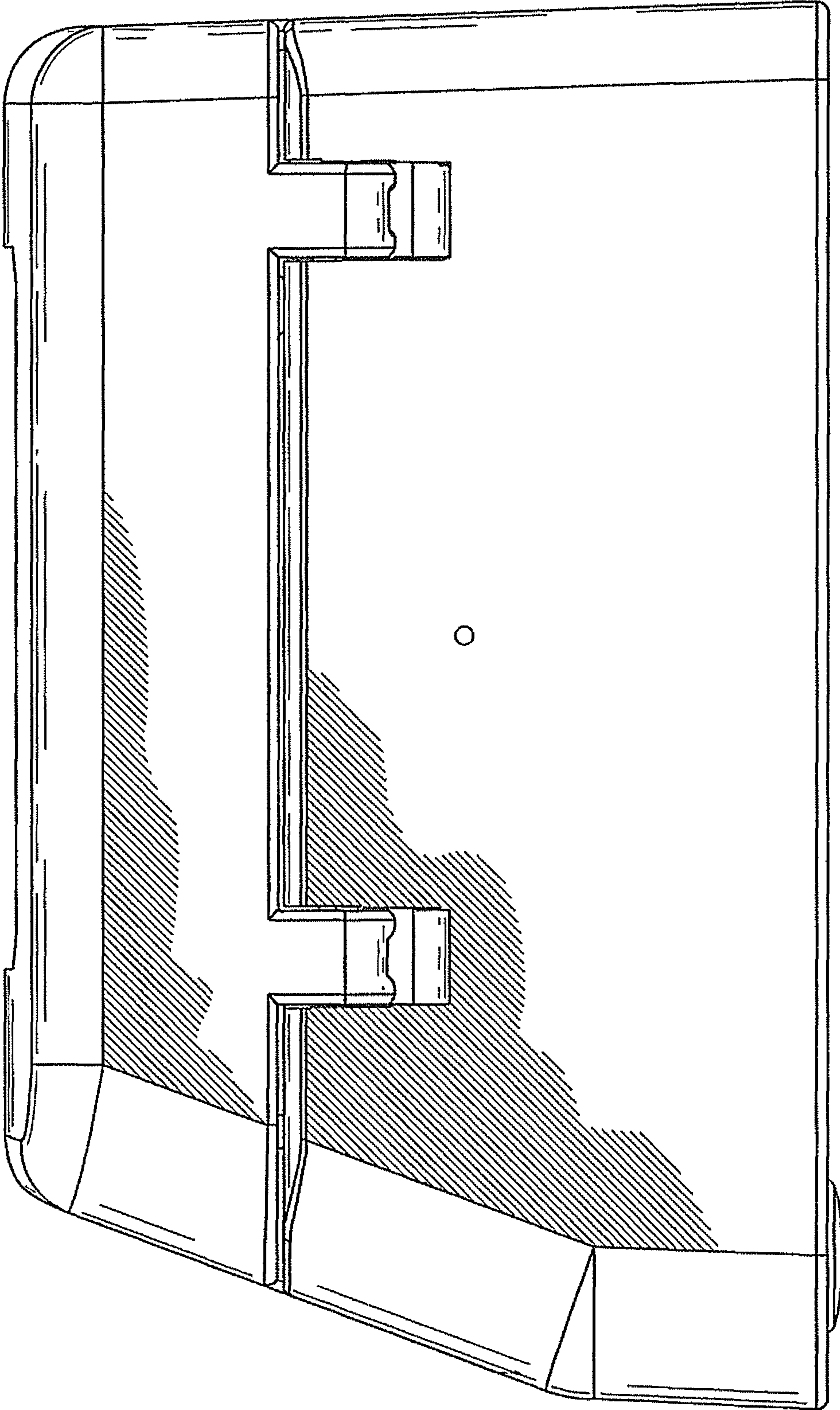


FIG. 10



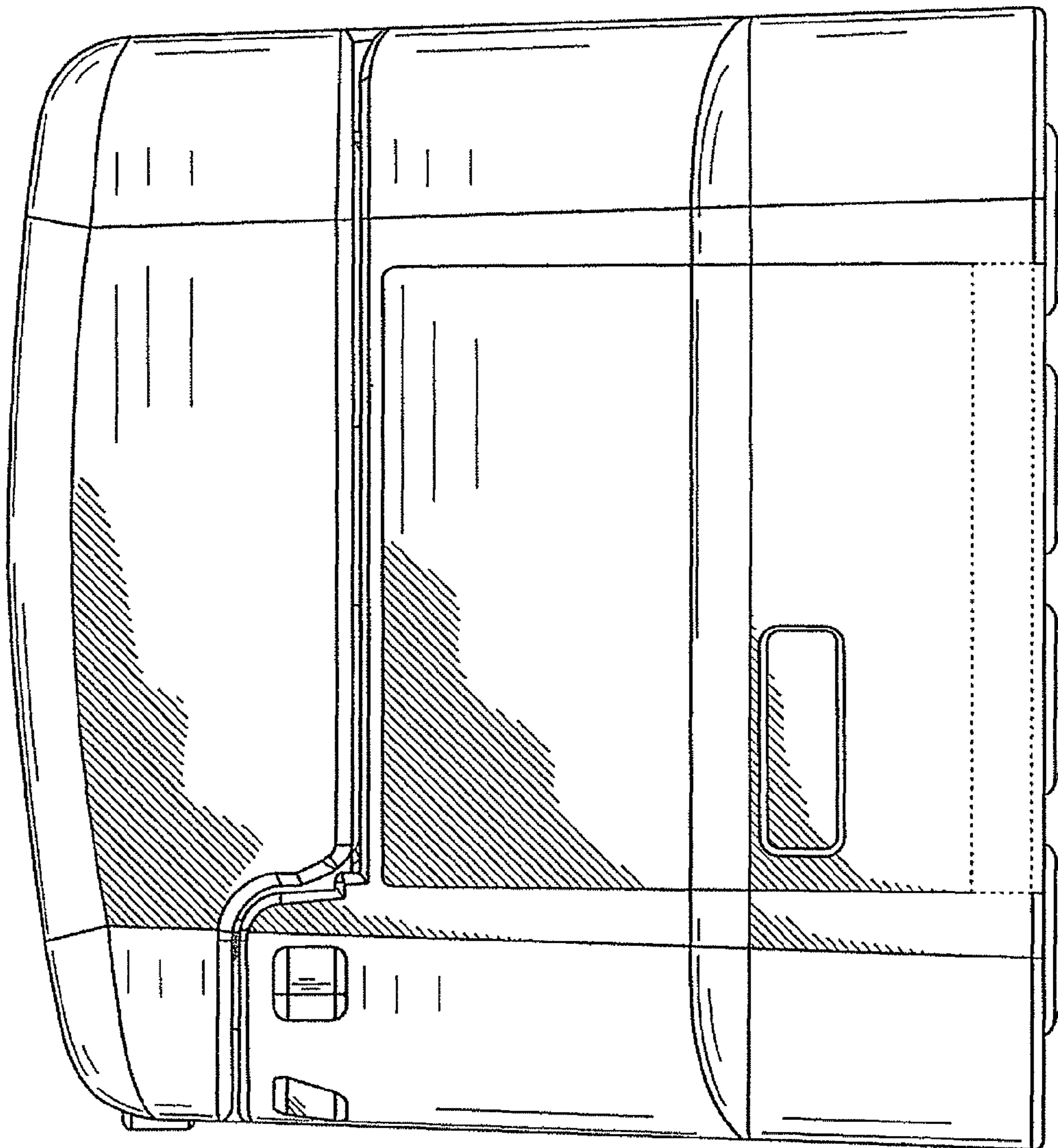


FIG. 11

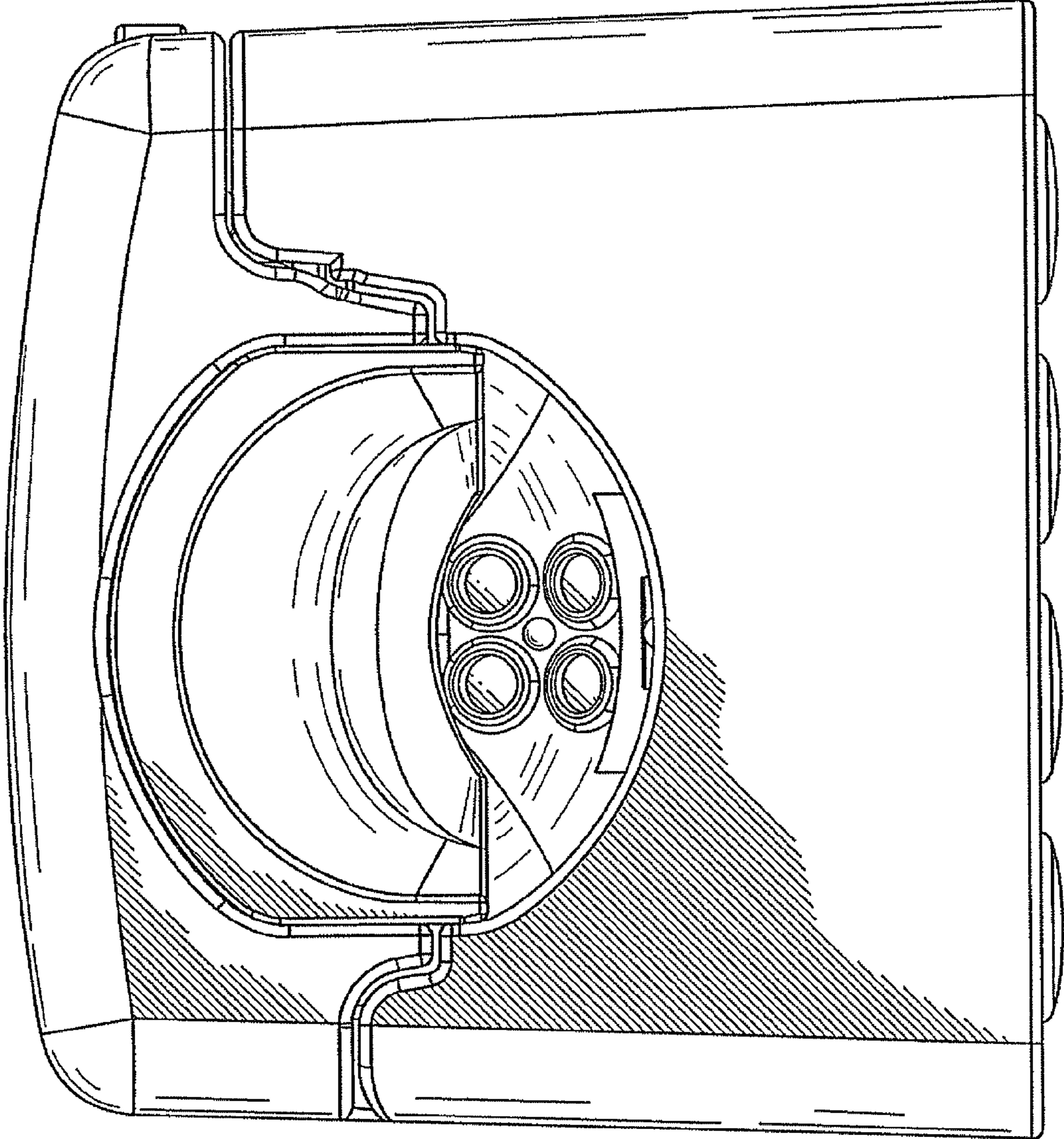


FIG. 12

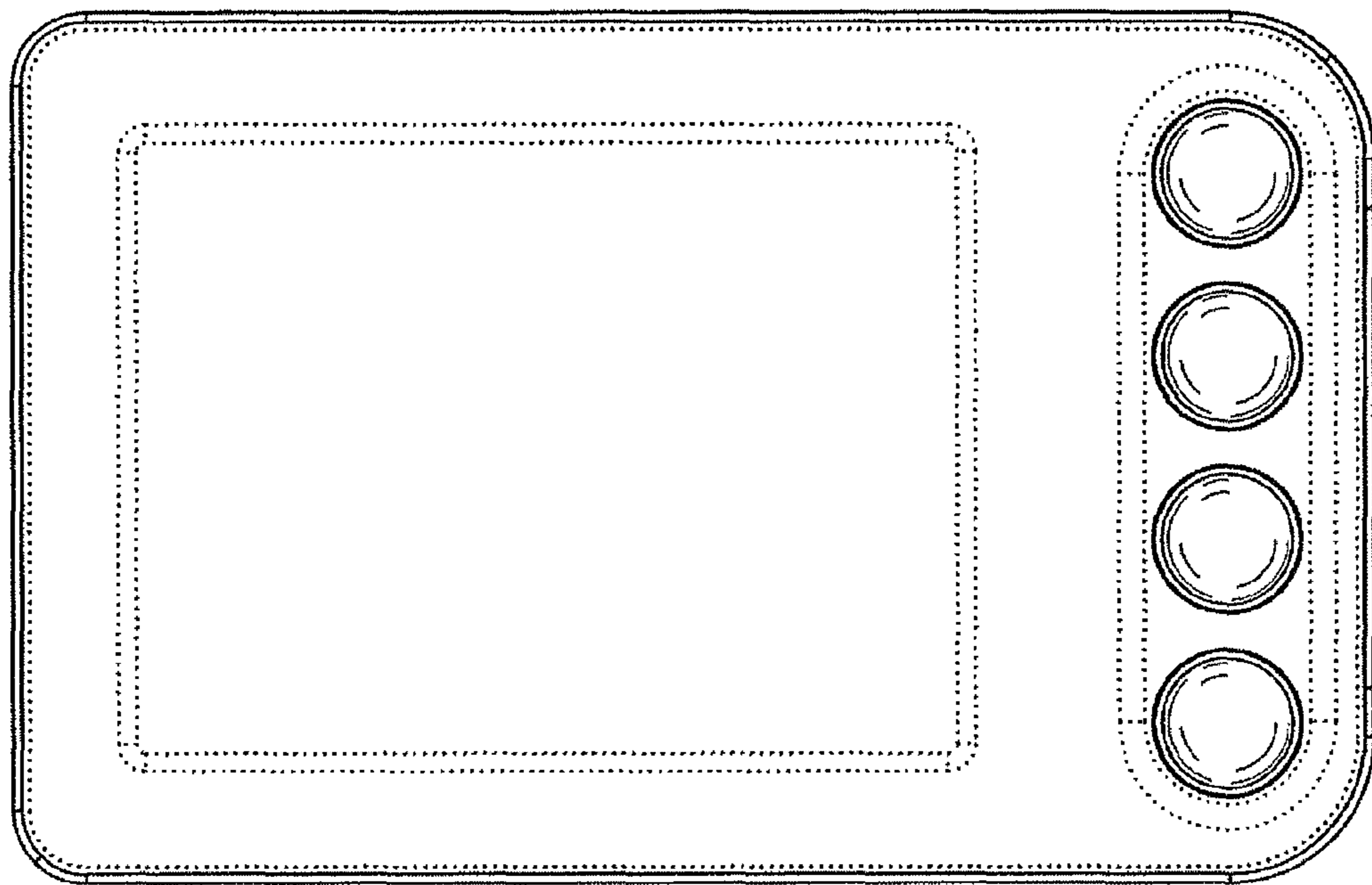


FIG. 13



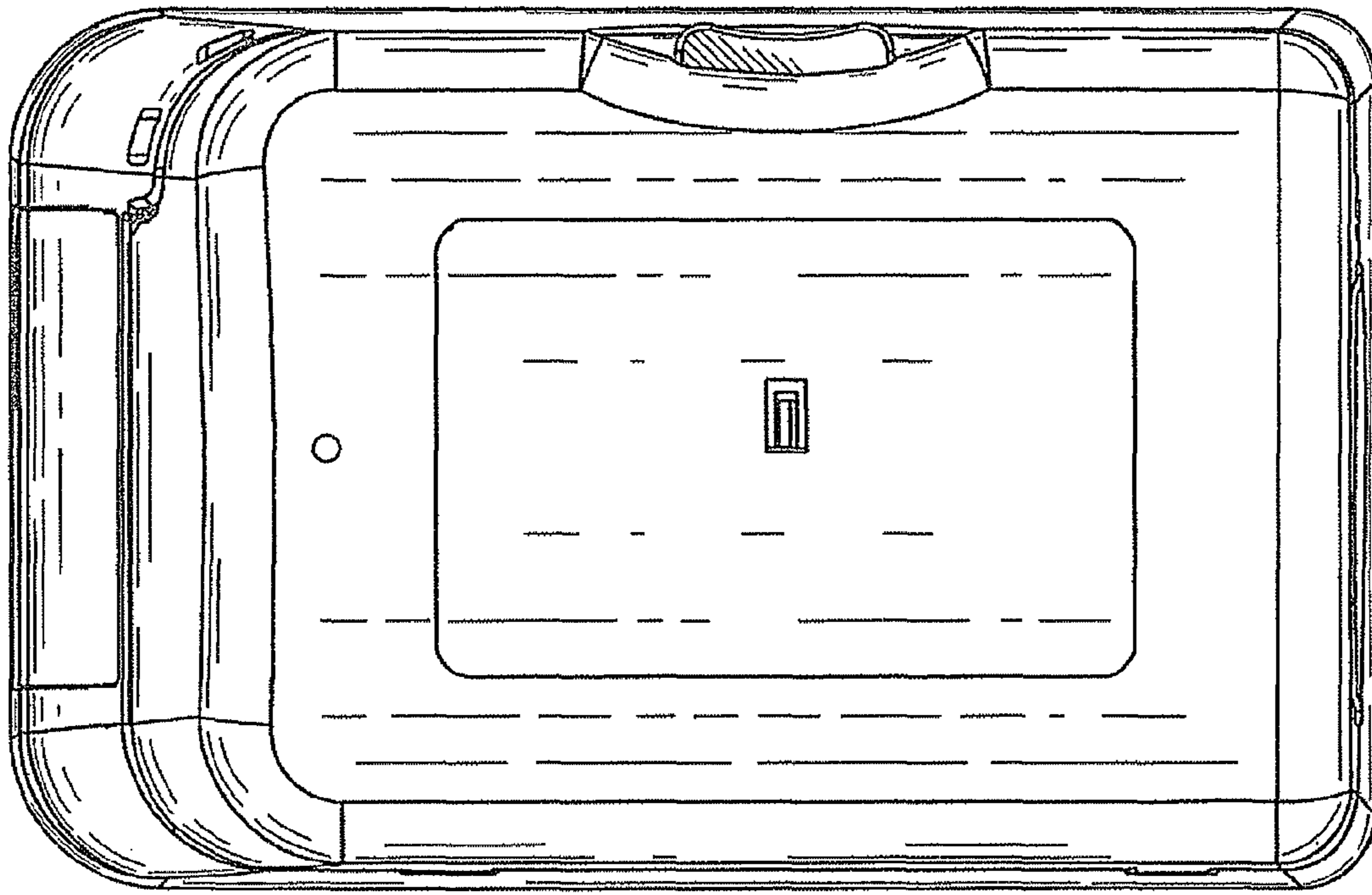


FIG. 14

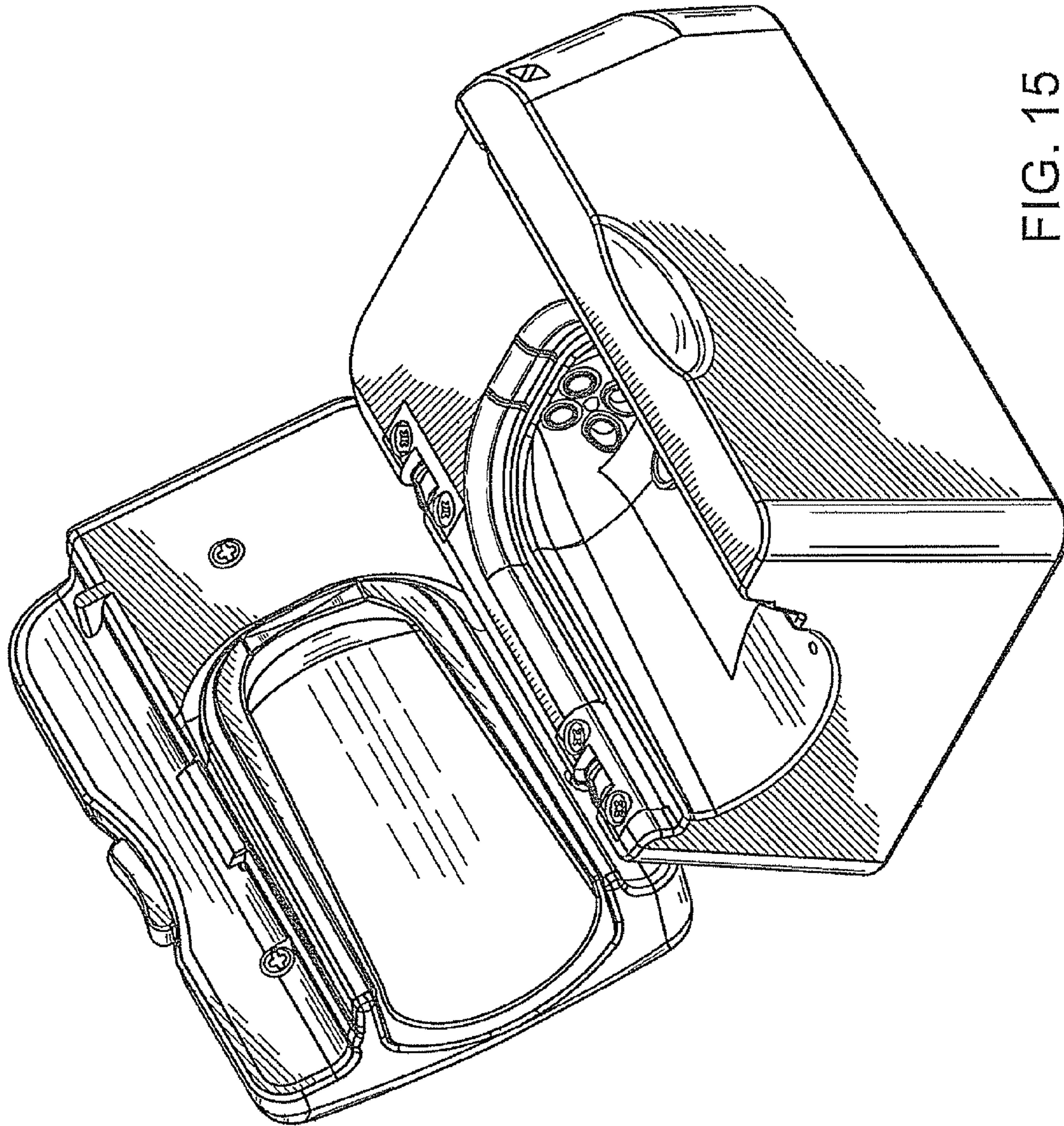


FIG. 15

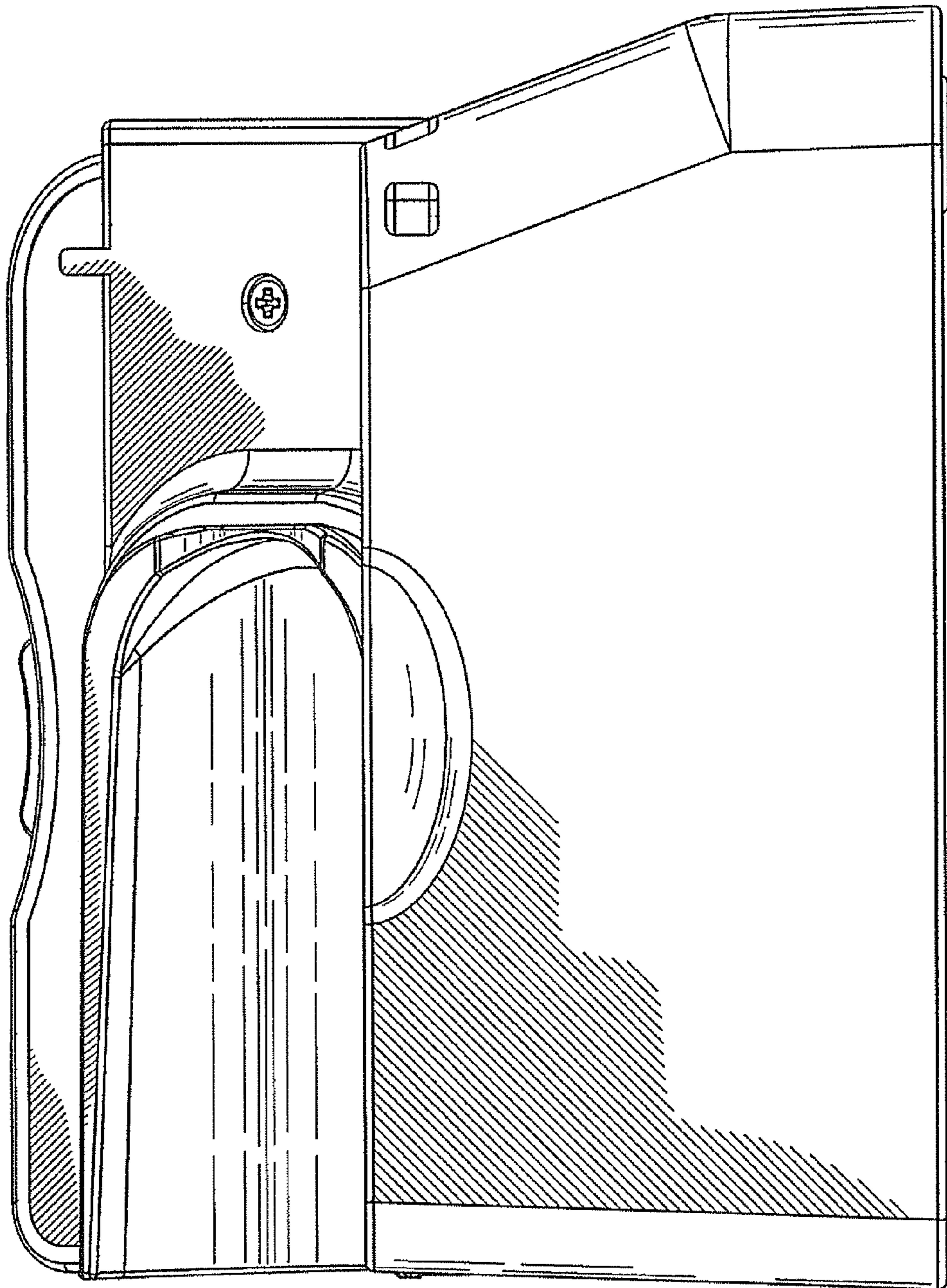


FIG. 16



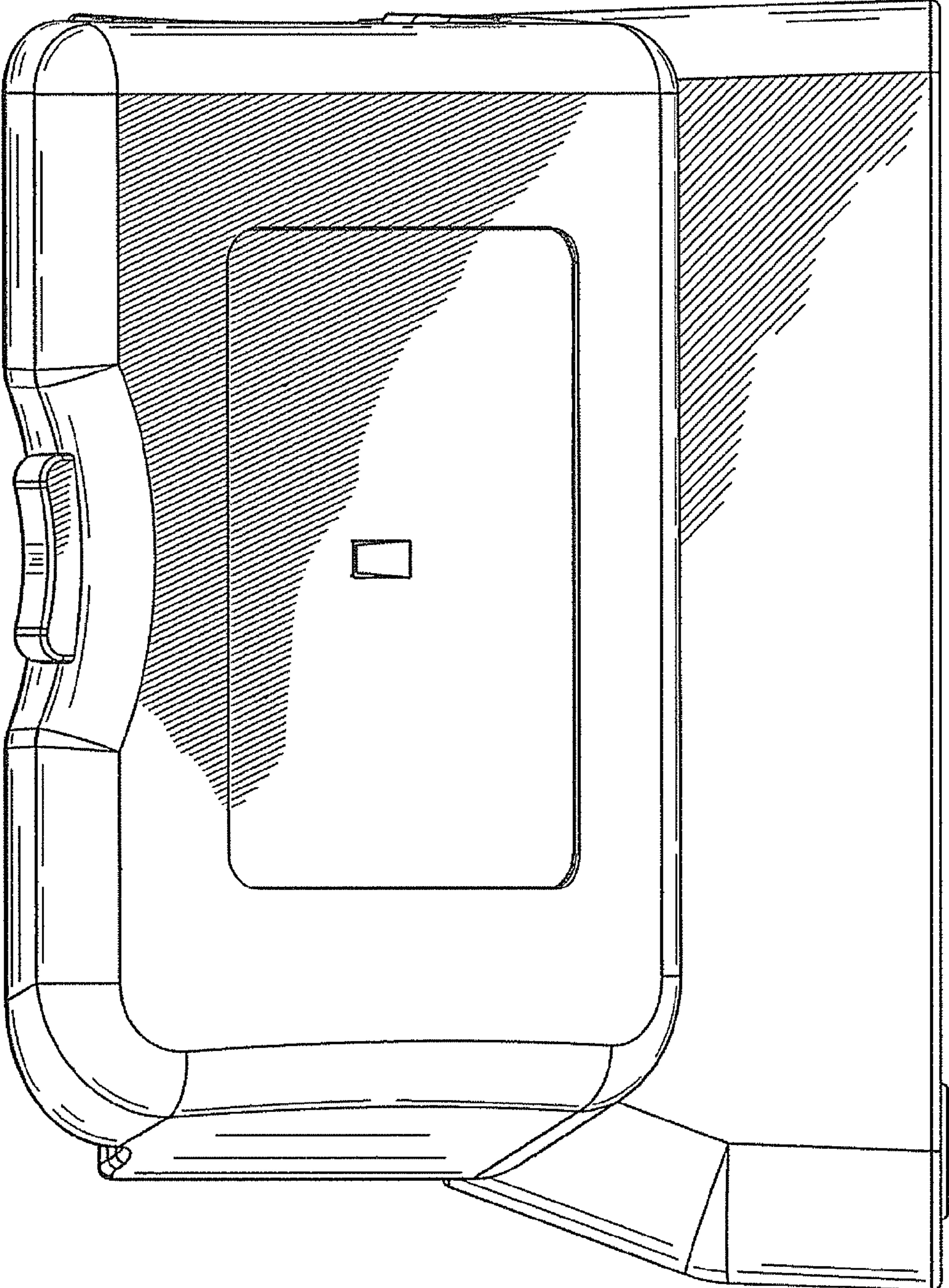


FIG. 17

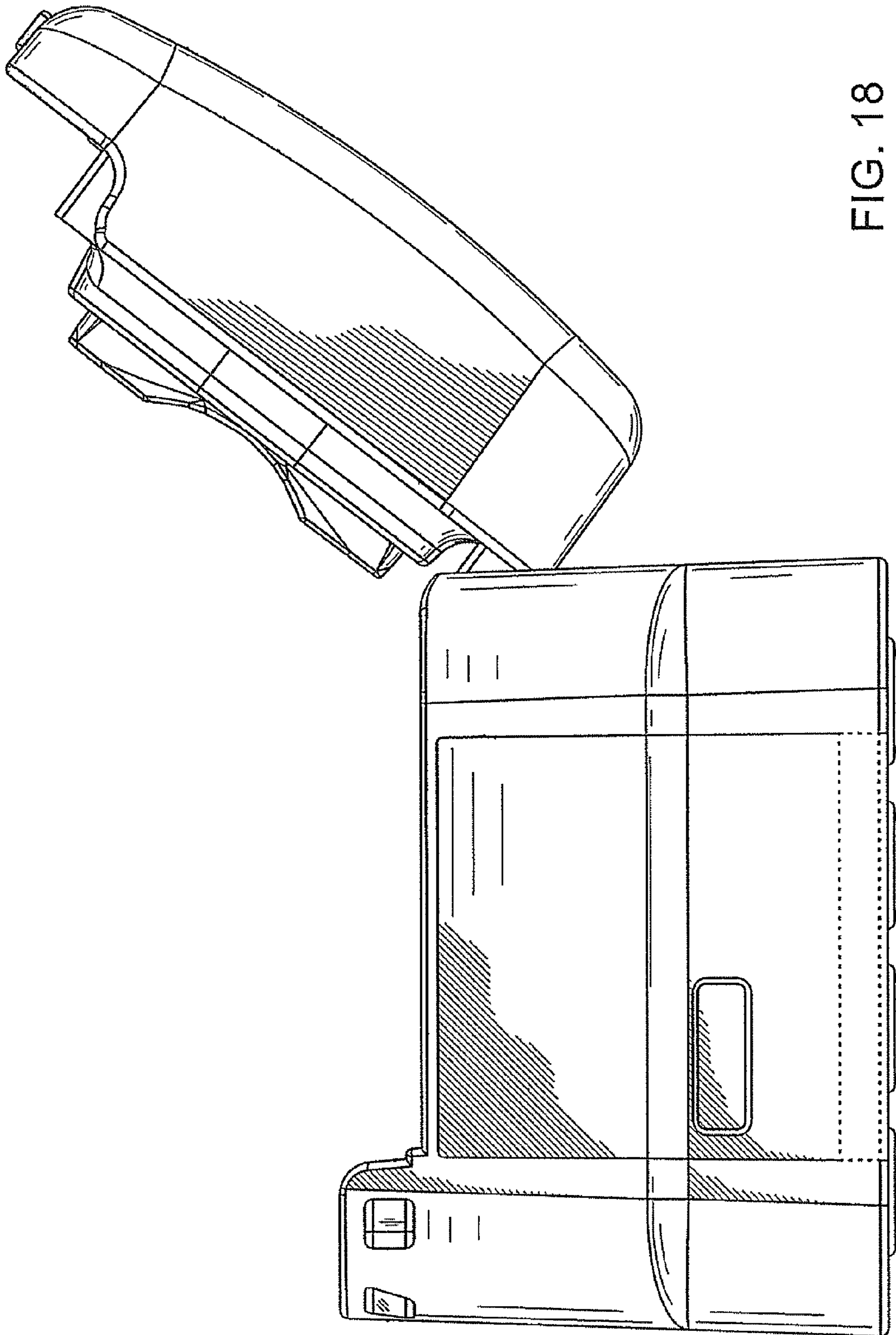


FIG. 18

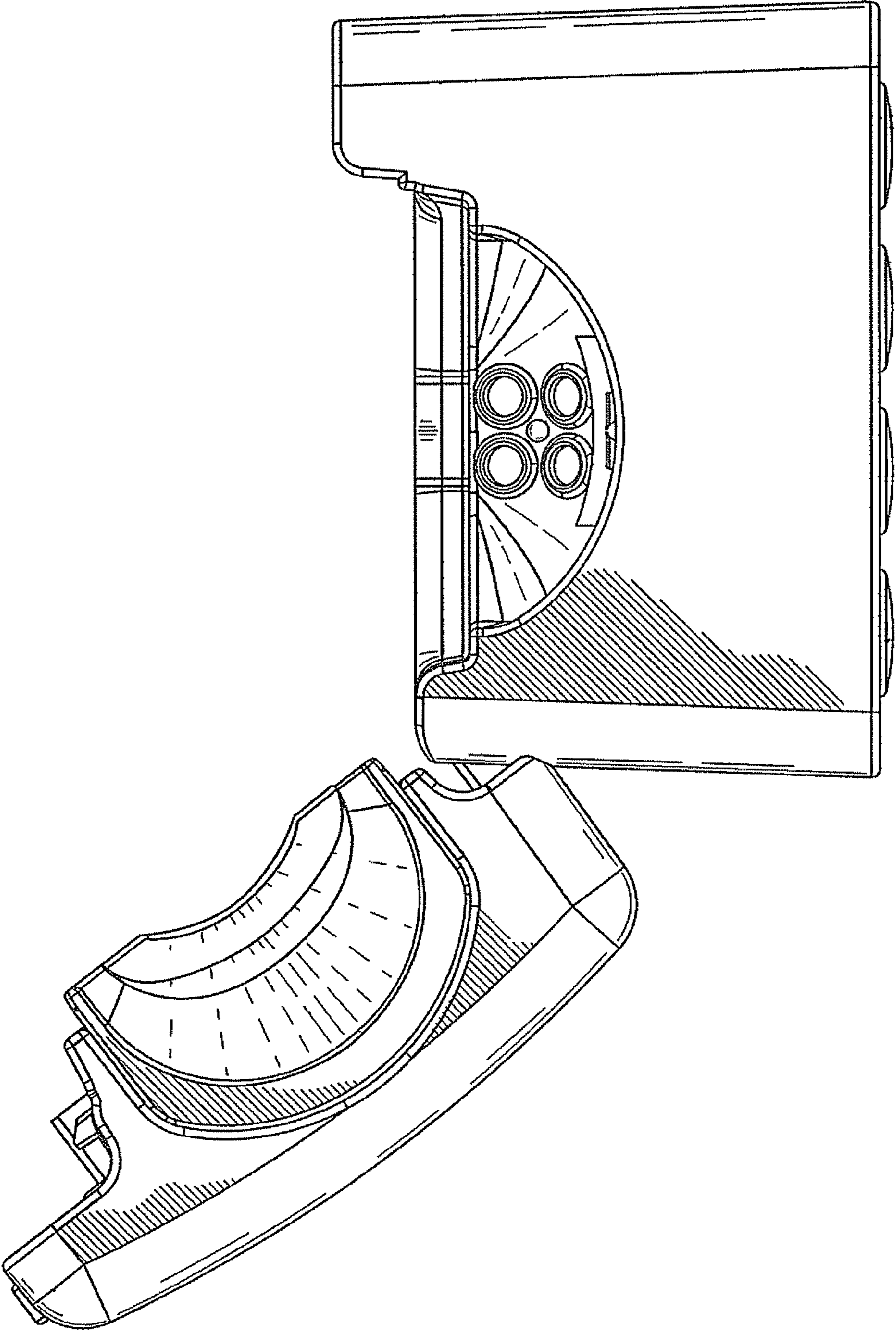


FIG. 19



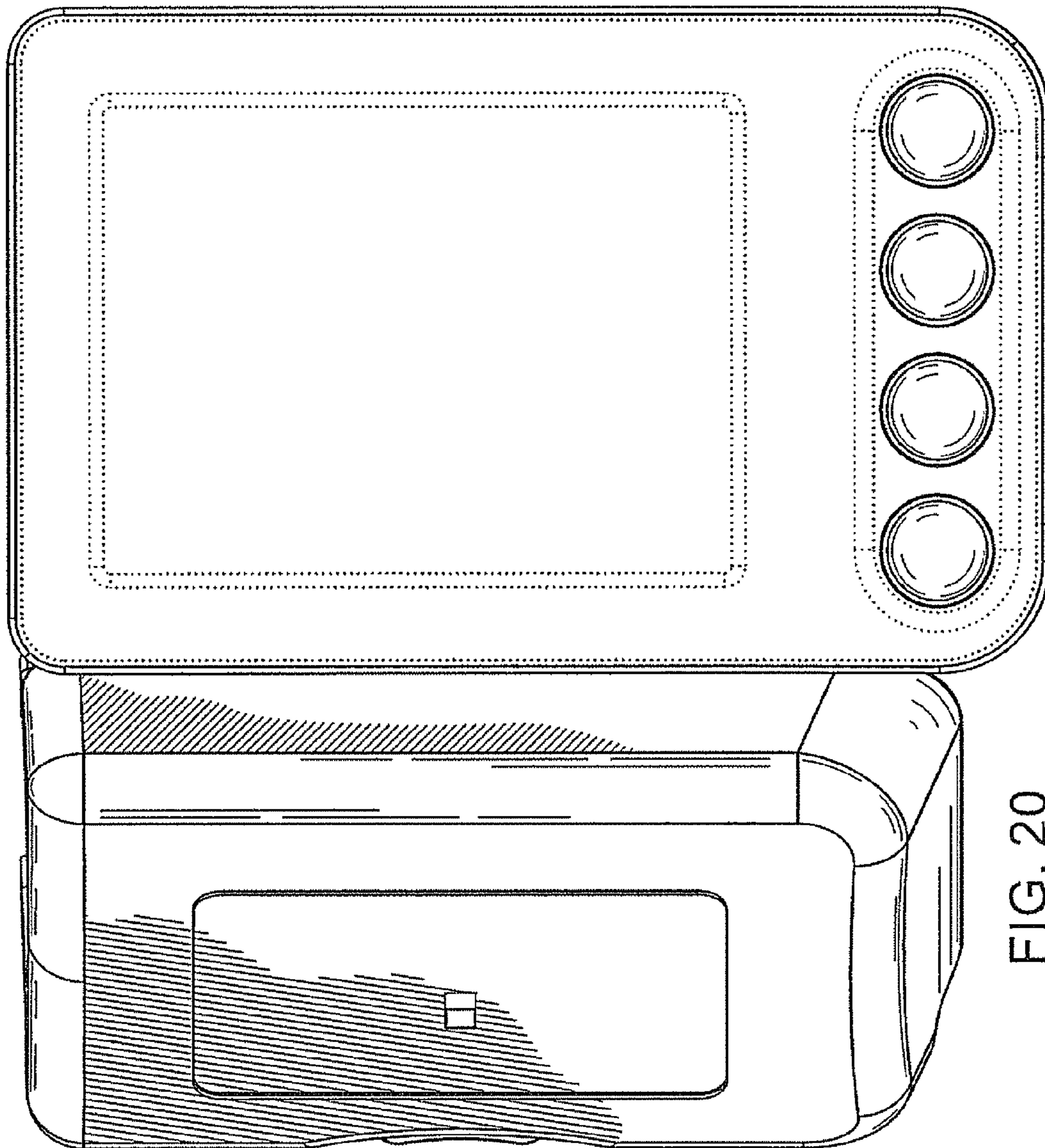


FIG. 20

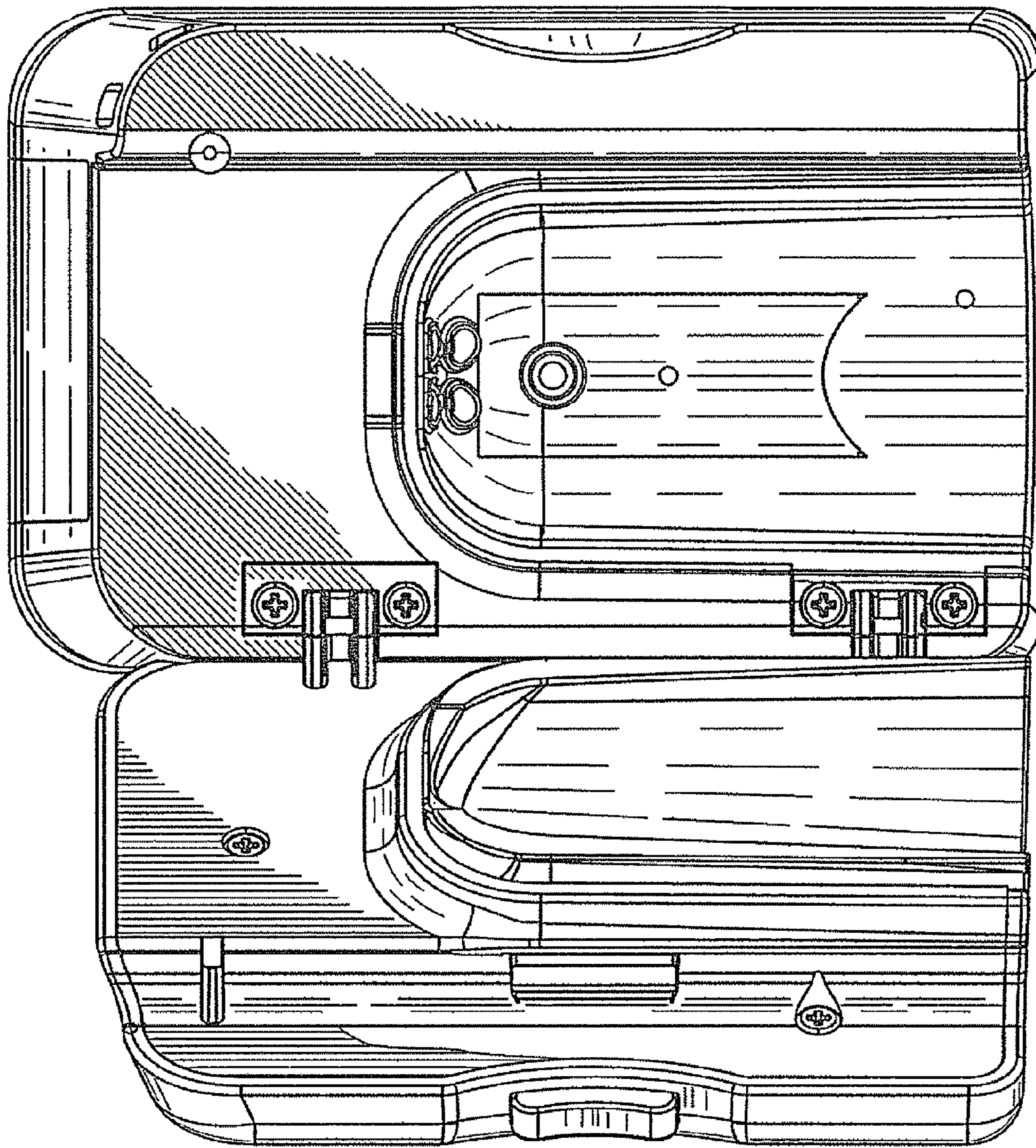


FIG. 21



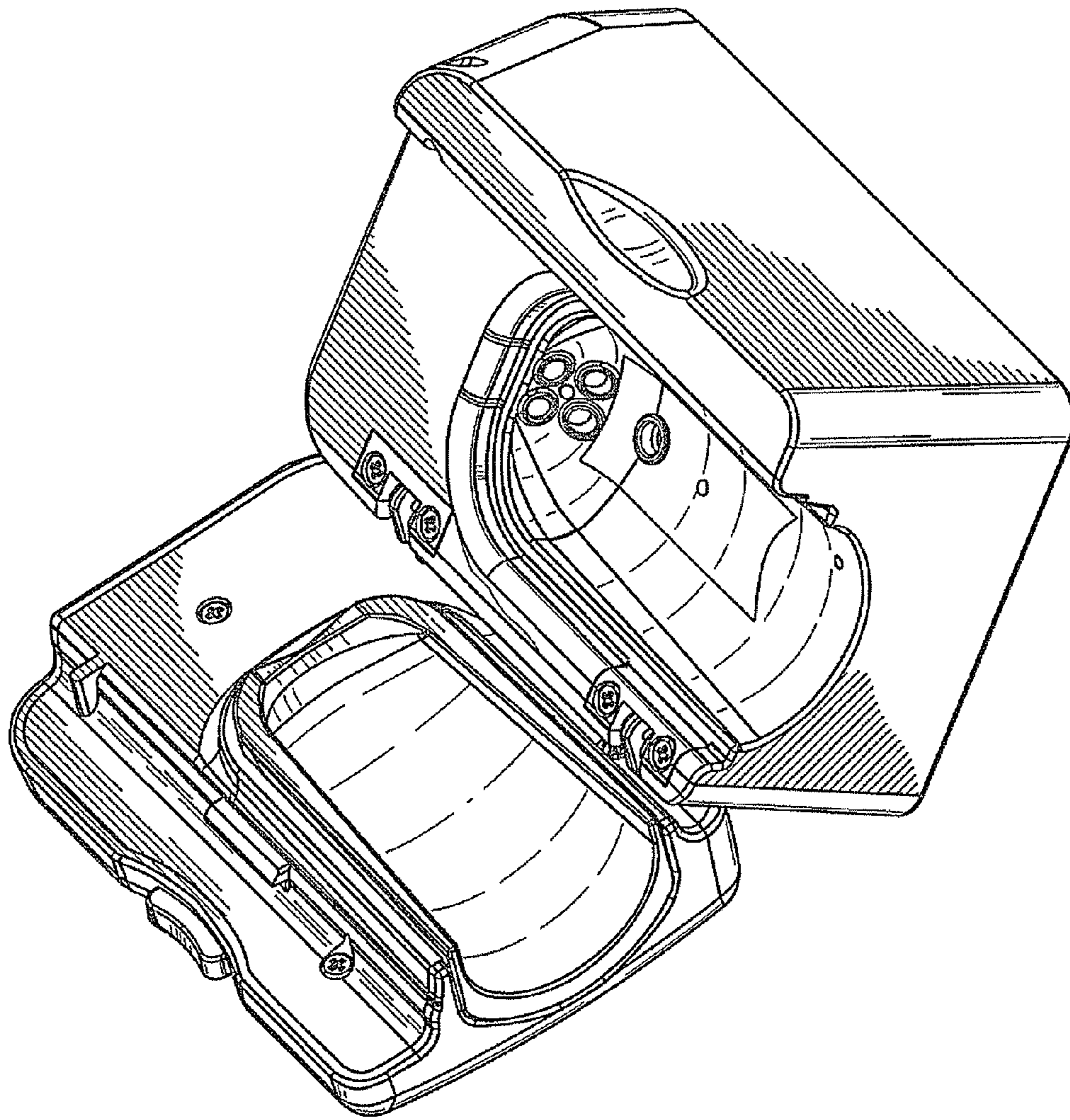


FIG. 22



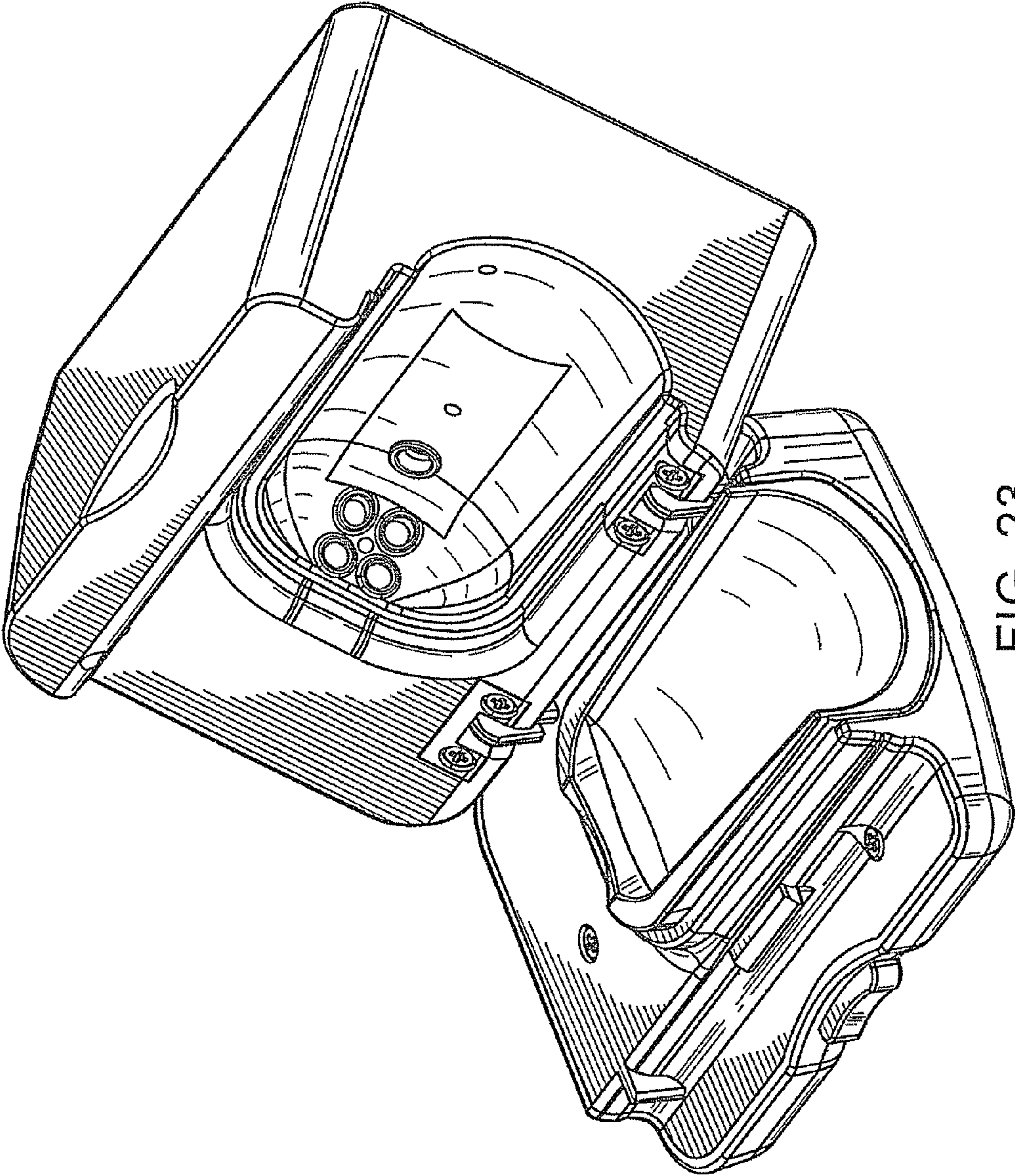


FIG. 23