



US00D687149S

(12) **United States Design Patent**
Chang

(10) **Patent No.:** **US D687,149 S**
(45) **Date of Patent:** **** Jul. 30, 2013**

(54) **MEDICAL TROLLEY**

(75) Inventor: **Mao-Kuan Chang**, Taichung (TW)

(73) Assignee: **Hong How Enterprise Co., Ltd.**,
Taichung (TW)

(**) Term: **14 Years**

(21) Appl. No.: **29/423,571**

(22) Filed: **Jun. 1, 2012**

(51) **LOC (9) Cl.** **24-00**

(52) **U.S. Cl.**

USPC **D24/185**

(58) **Field of Classification Search**

USPC D24/130, 143, 150, 164, 170, 171,
D24/172, 183, 185, 186, 188, 190, 221, 234;
351/206, 224, 226

See application file for complete search history.

(56) **References Cited**

U.S. PATENT DOCUMENTS

D337,822 S *	7/1993	Janke	D24/185
D625,071 S *	10/2010	Shigeno et al.	D34/17
D643,535 S *	8/2011	Ross et al.	D24/164
D655,013 S *	2/2012	Sabaris Vilas	D24/185

OTHER PUBLICATIONS

<http://www.medifurniture.co.uk/product-range/medical-trolleys>
searched RMS Feb. 4, 2013.*

<http://www.medicalexpo.com/prod/bowa/medical-trolley-for-electrosurgical-units-67896-49> . . . Feb. 4, 2013.*

* cited by examiner

Primary Examiner — Robert M Spear

Assistant Examiner — Rhea Shields

(74) *Attorney, Agent, or Firm* — Chun-Ming Shih

(57) **CLAIM**

The ornamental design for medical trolley, as shown.

DESCRIPTION

FIG. 1 is a front right perspective view of a medical trolley showing my new design;

FIG. 2 is a front perspective view thereof;

FIG. 3 is a rear perspective view thereof;

FIG. 4 is a right side elevation view thereof;

FIG. 5 is a left side elevation view thereof;

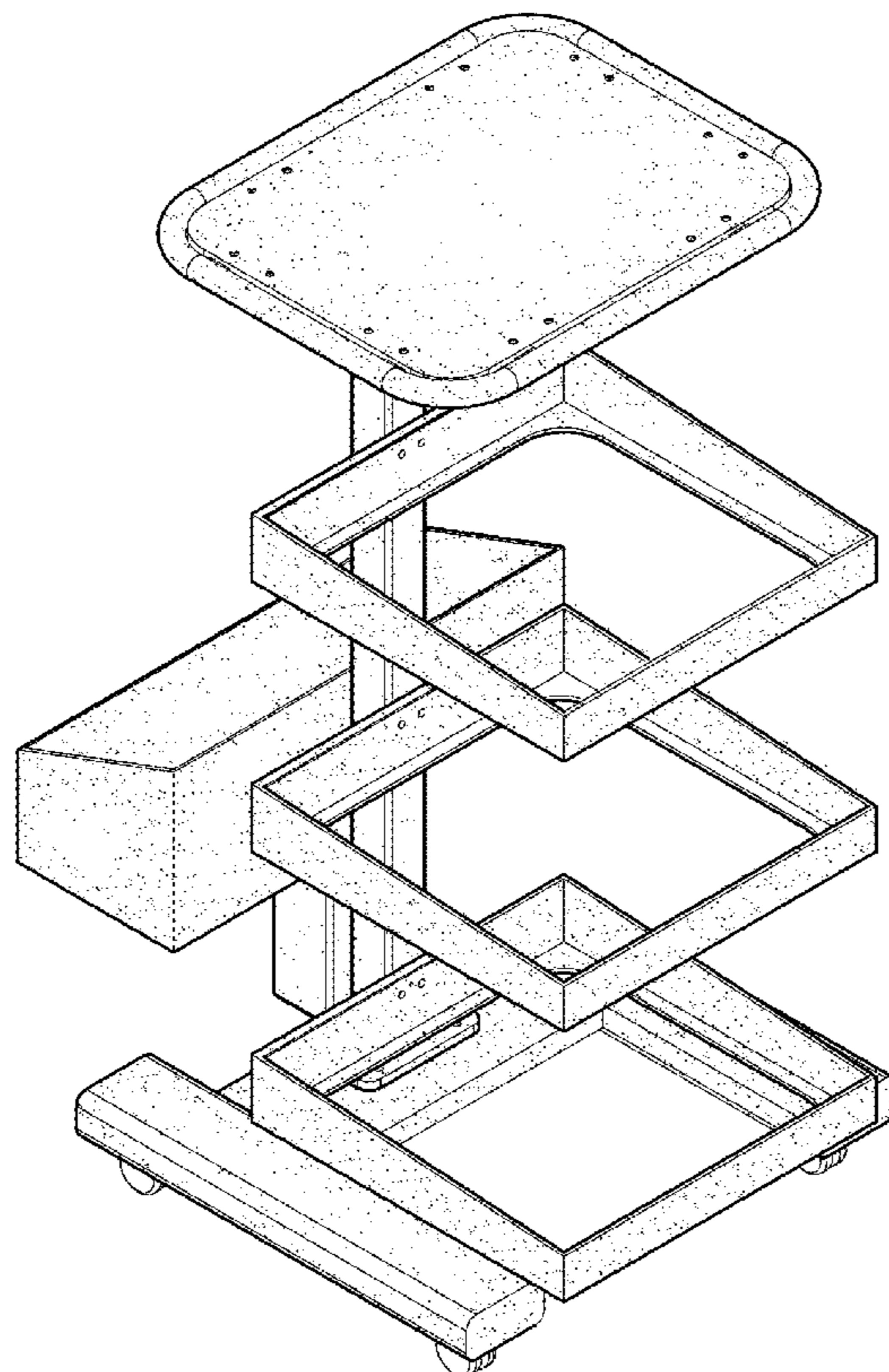
FIG. 6 is a top plan view thereof;

FIG. 7 is a bottom plan view thereof;

FIG. 8 is a front left perspective view thereof; and,

FIG. 9 is a rear left side perspective view thereof.

1 Claim, 9 Drawing Sheets



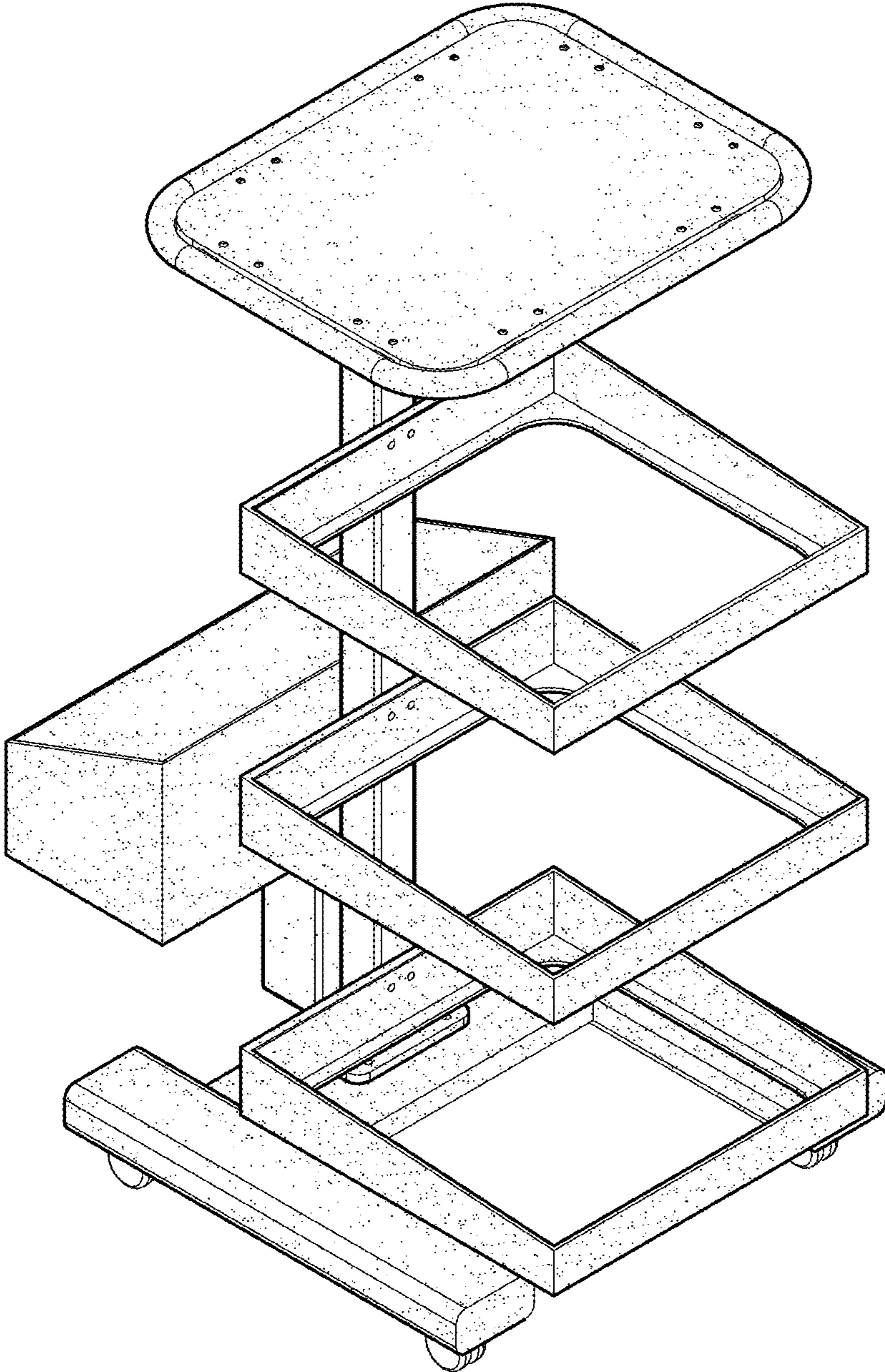


Fig. 1

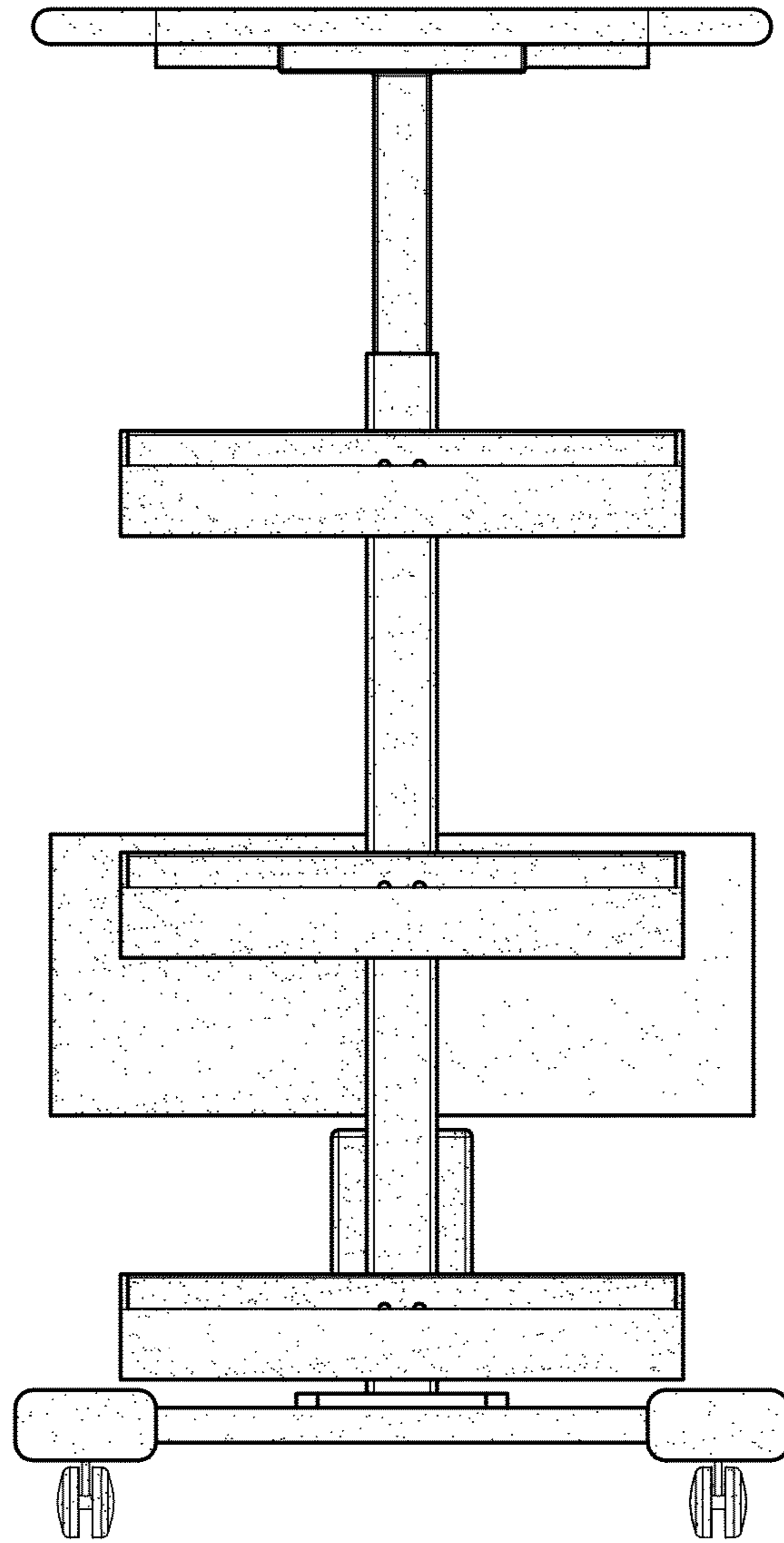


Fig.2

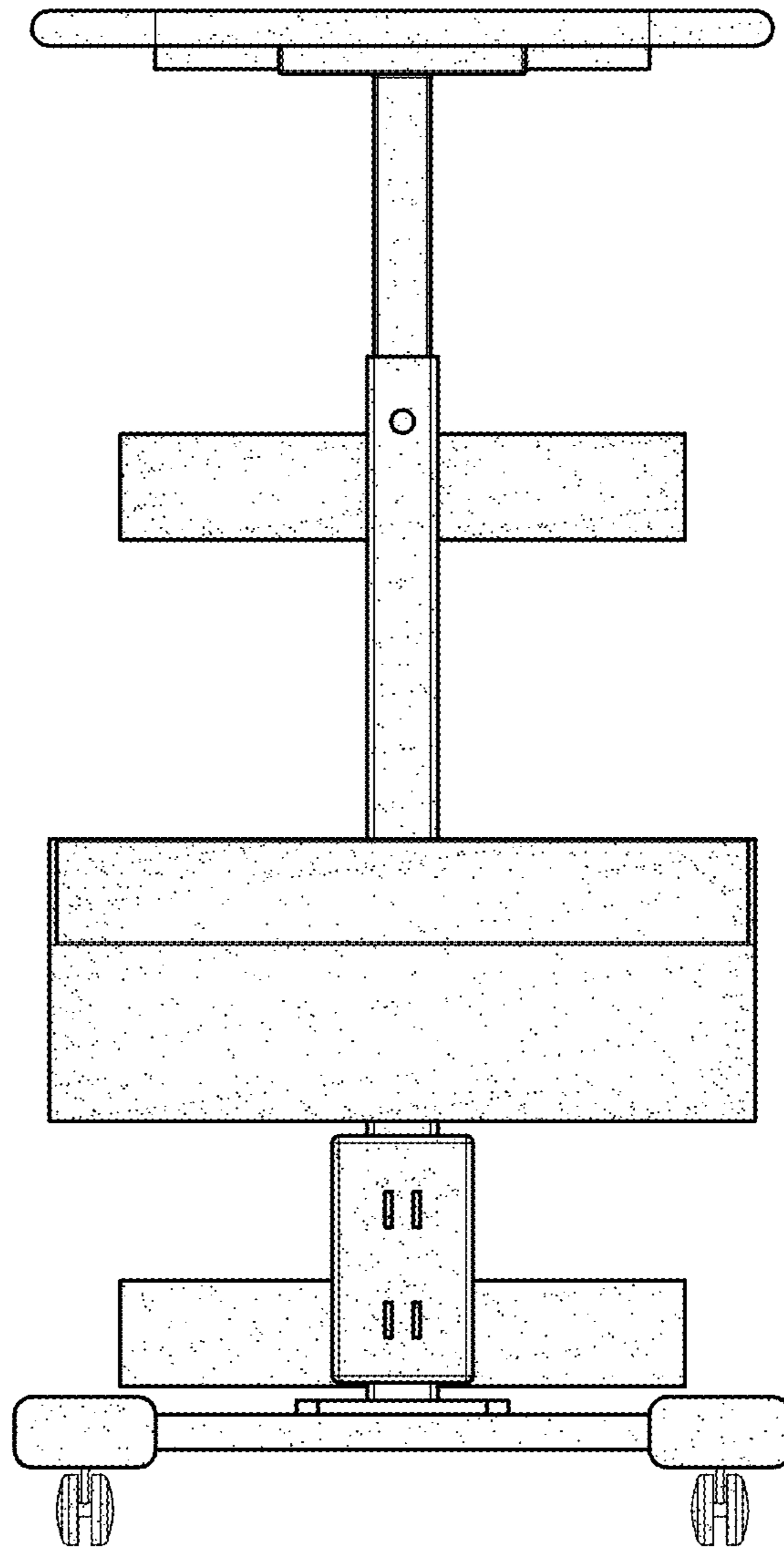


Fig.3

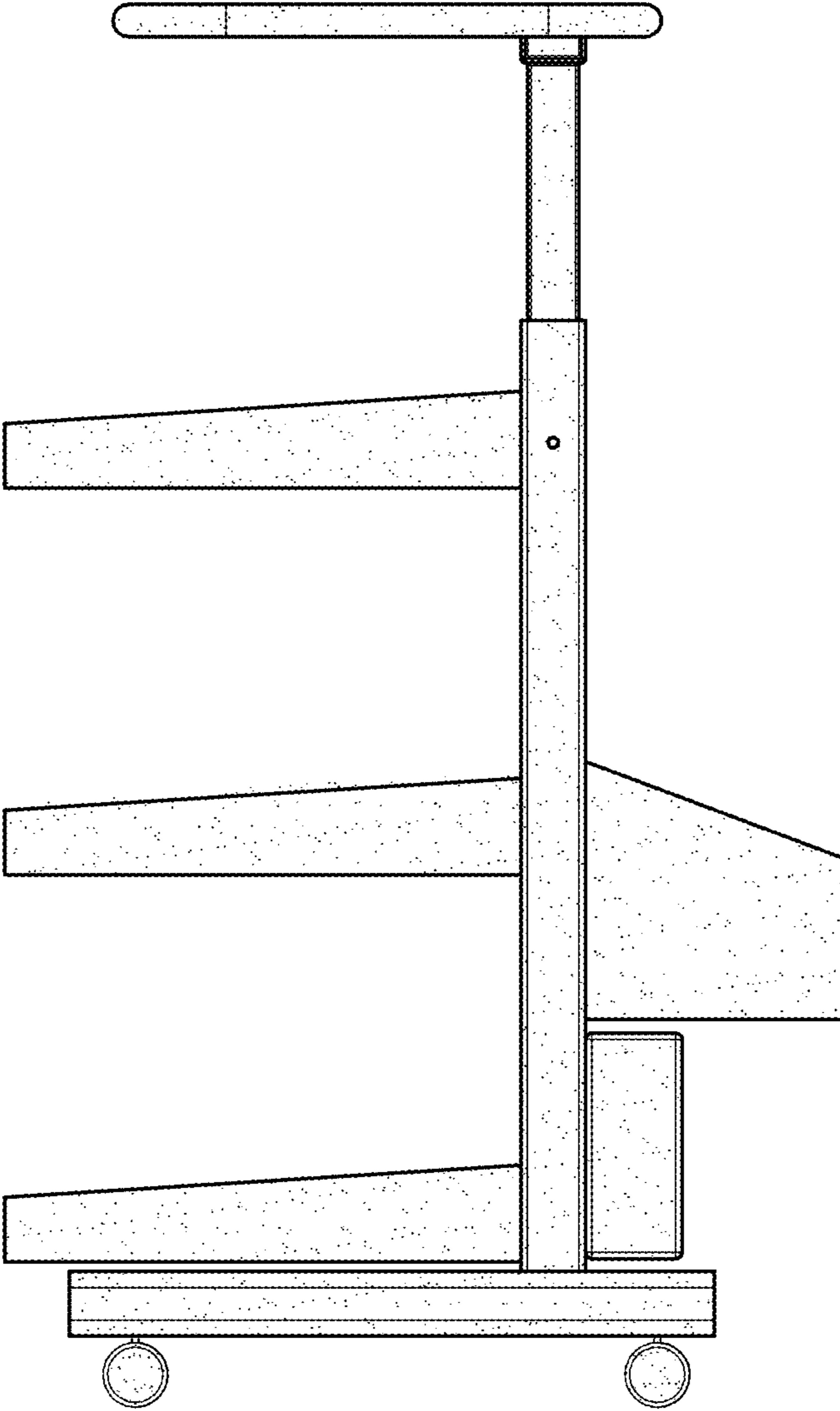


Fig.4

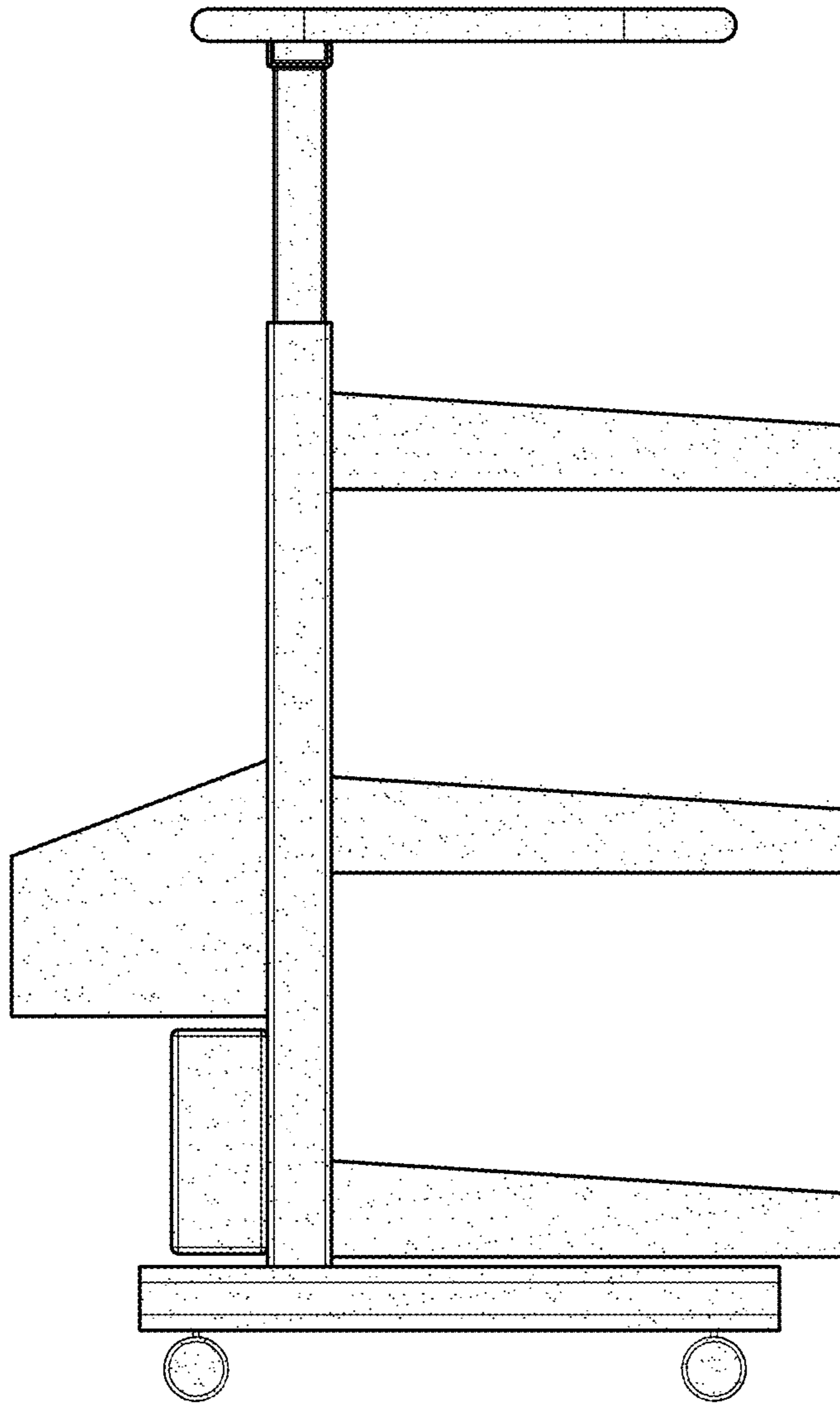


Fig.5

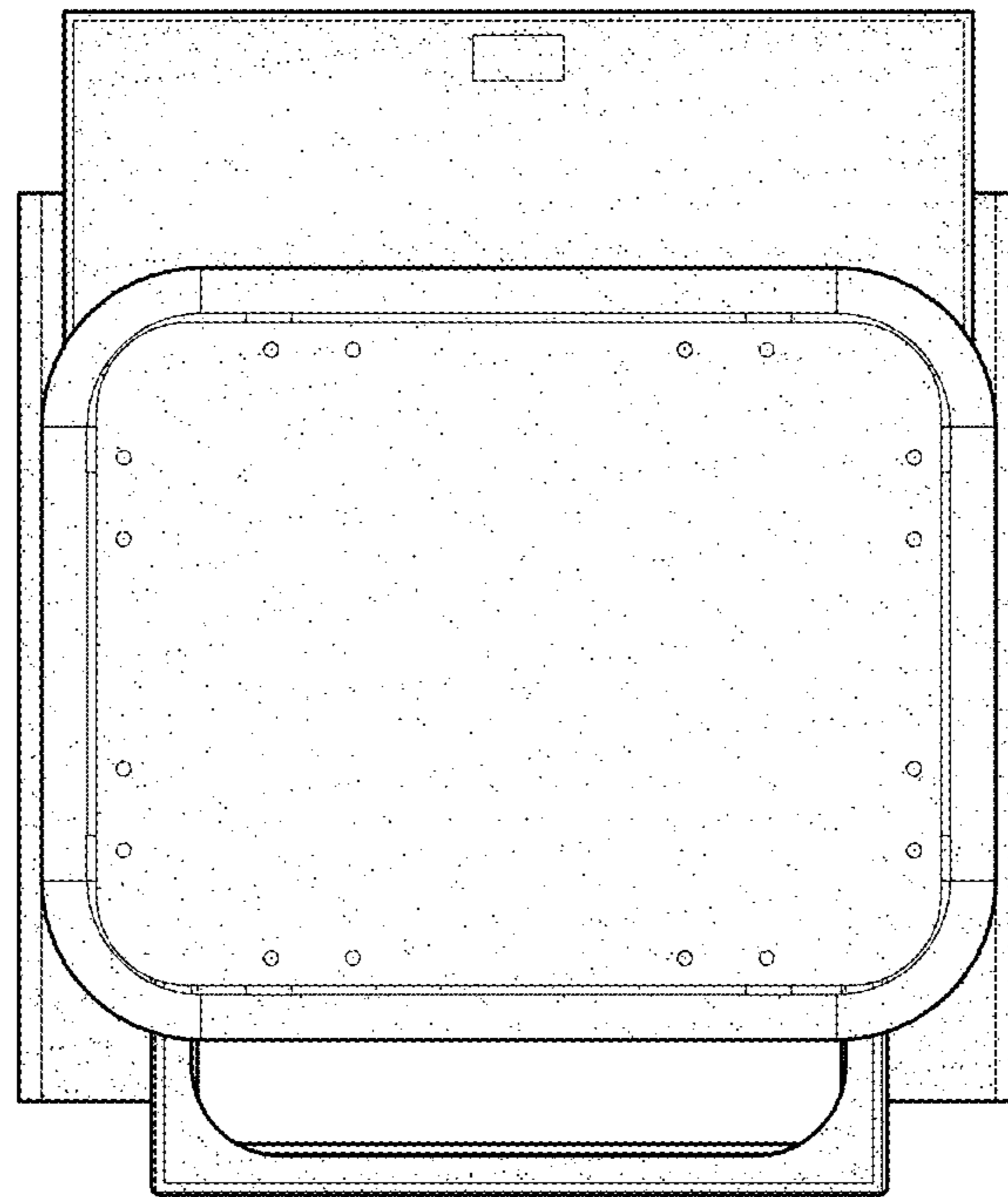


Fig.6

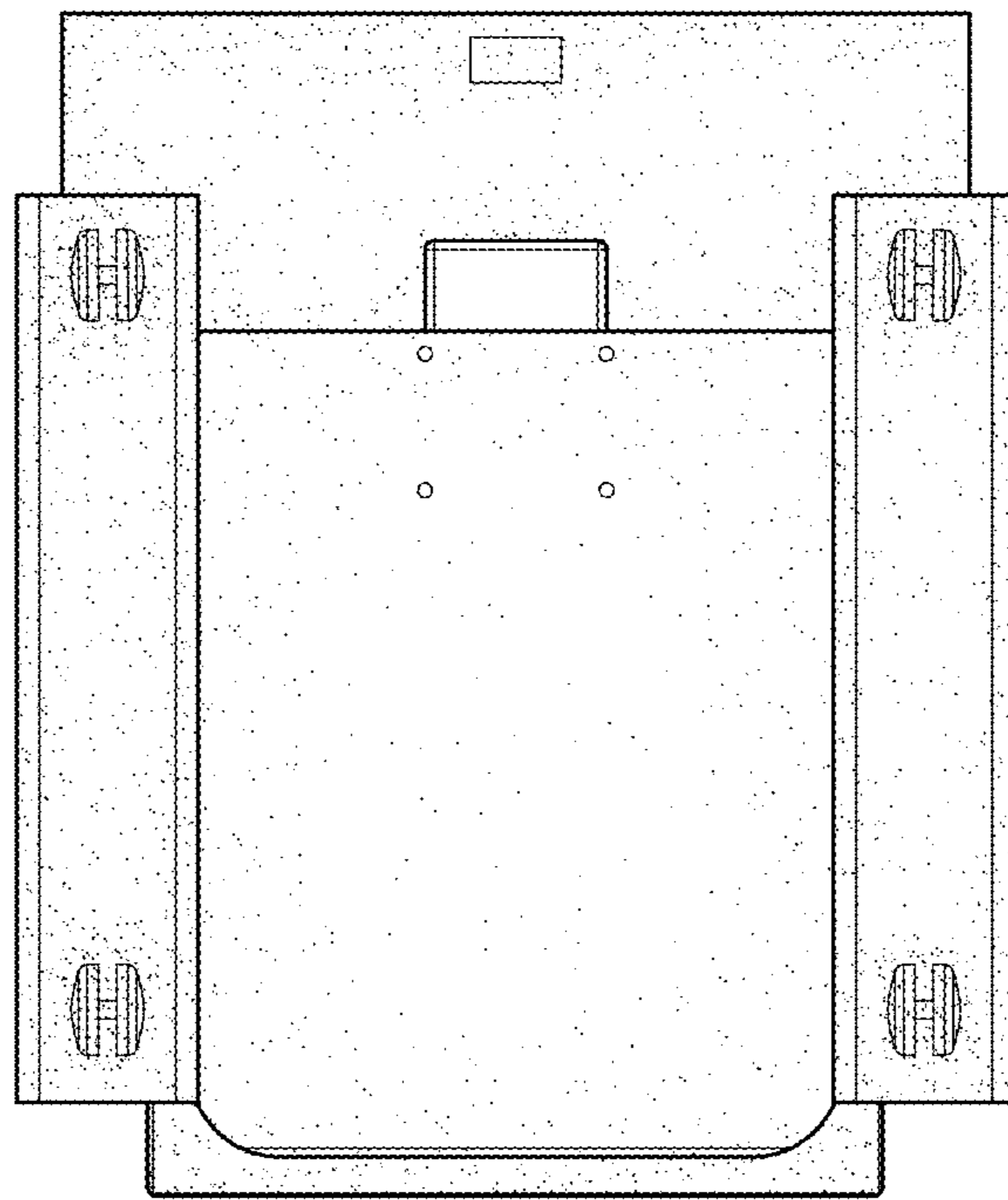


Fig.7

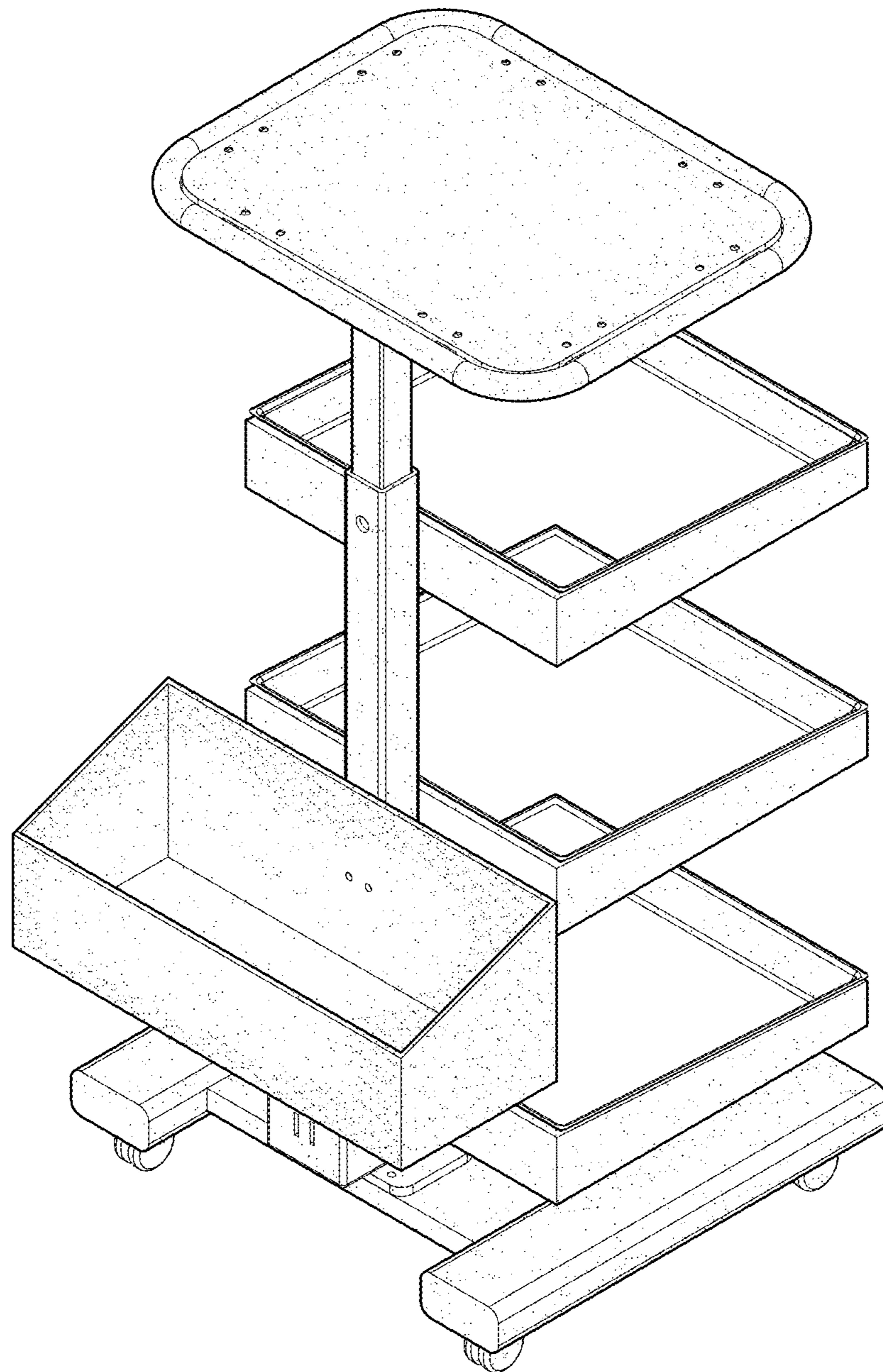


Fig.8

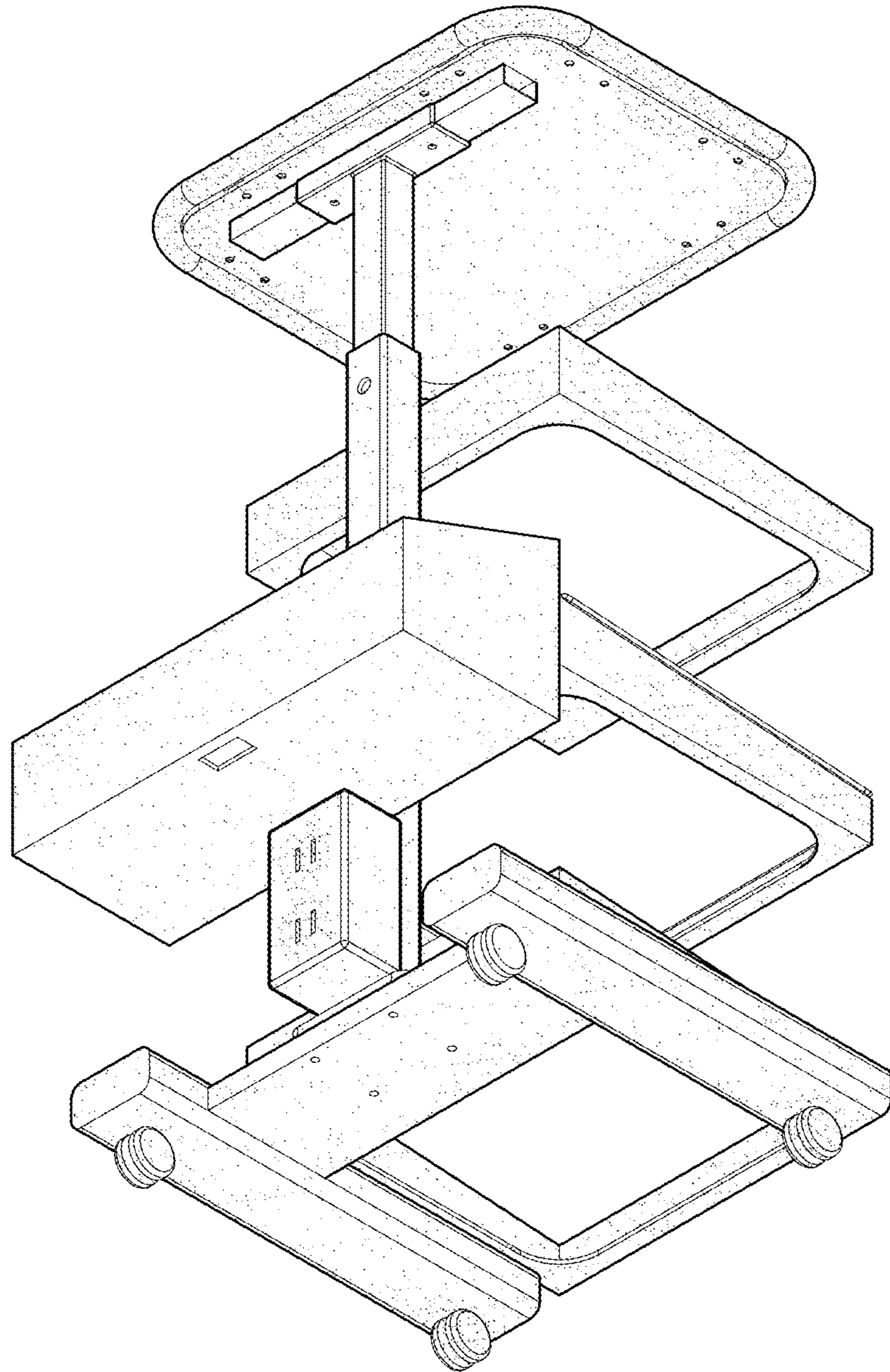


Fig.9