



US00D687148S

(12) **United States Design Patent**
Knieriem et al.

(10) **Patent No.:** **US D687,148 S**
(45) **Date of Patent:** **** Jul. 30, 2013**

- (54) **MEDICAL DEVICE BASKET**
- (75) Inventors: **Alan S. Knieriem**, Baldwinsville, NY (US); **Dale C. Saddlemire**, Cortland, NY (US)
- (73) Assignee: **Welch Allyn, Inc.**, Skaneateles Falls, NY (US)
- (**) Term: **14 Years**
- (21) Appl. No.: **29/369,201**
- (22) Filed: **Sep. 3, 2010**
- (51) **LOC (9) Cl.** **24-01**
- (52) **U.S. Cl.**
USPC **D24/185**
- (58) **Field of Classification Search**
USPC D24/165, 166, 185, 127, 227-231, D24/234; D3/304-308, 314-315; D19/75, D19/78; D6/510, 553, 525, 566-667, 513; D34/1, 5, 9, 27; 206/216; 439/534; D32/3; D12/130, 132, 407; 248/327; 135/67; 211/190; 224/407; D14/251
See application file for complete search history.

D467,052	S	*	12/2002	Van Ladingham, Jr.	D34/27
D517,319	S	*	3/2006	Wisnoski et al.	D3/304
D538,539	S	*	3/2007	Richardson et al.	D3/314
D566,844	S	*	4/2008	Inose	D24/165
D577,914	S	*	10/2008	Babic et al.	D6/567
D594,812	S	*	6/2009	Helgerson	D12/407
D608,574	S	*	1/2010	Goodman et al.	D6/513
D618,675	S	*	6/2010	Thompson et al.	D14/251
7,963,797	B2	*	6/2011	Knappe	439/534

* cited by examiner

Primary Examiner — T. Chase Nelson

Assistant Examiner — Mark Cavanna

(57) **CLAIM**

The ornamental design for a medical device basket, as shown and described.

DESCRIPTION

FIG. 1 is a top perspective view of the medical device basket according to an embodiment of the present invention;
 FIG. 2 is a front view of the medical device basket shown in FIG. 1;
 FIG. 3 is a rear view of the medical device basket shown in FIG. 1;
 FIG. 4 is a left-side view of the medical device basket shown in FIG. 1;
 FIG. 5 is a right-side view of the medical device basket shown in FIG. 1;
 FIG. 6 is a top view of the medical device basket shown in FIG. 1; and,
 FIG. 7 is a bottom view of the medical device basket shown in FIG. 1.

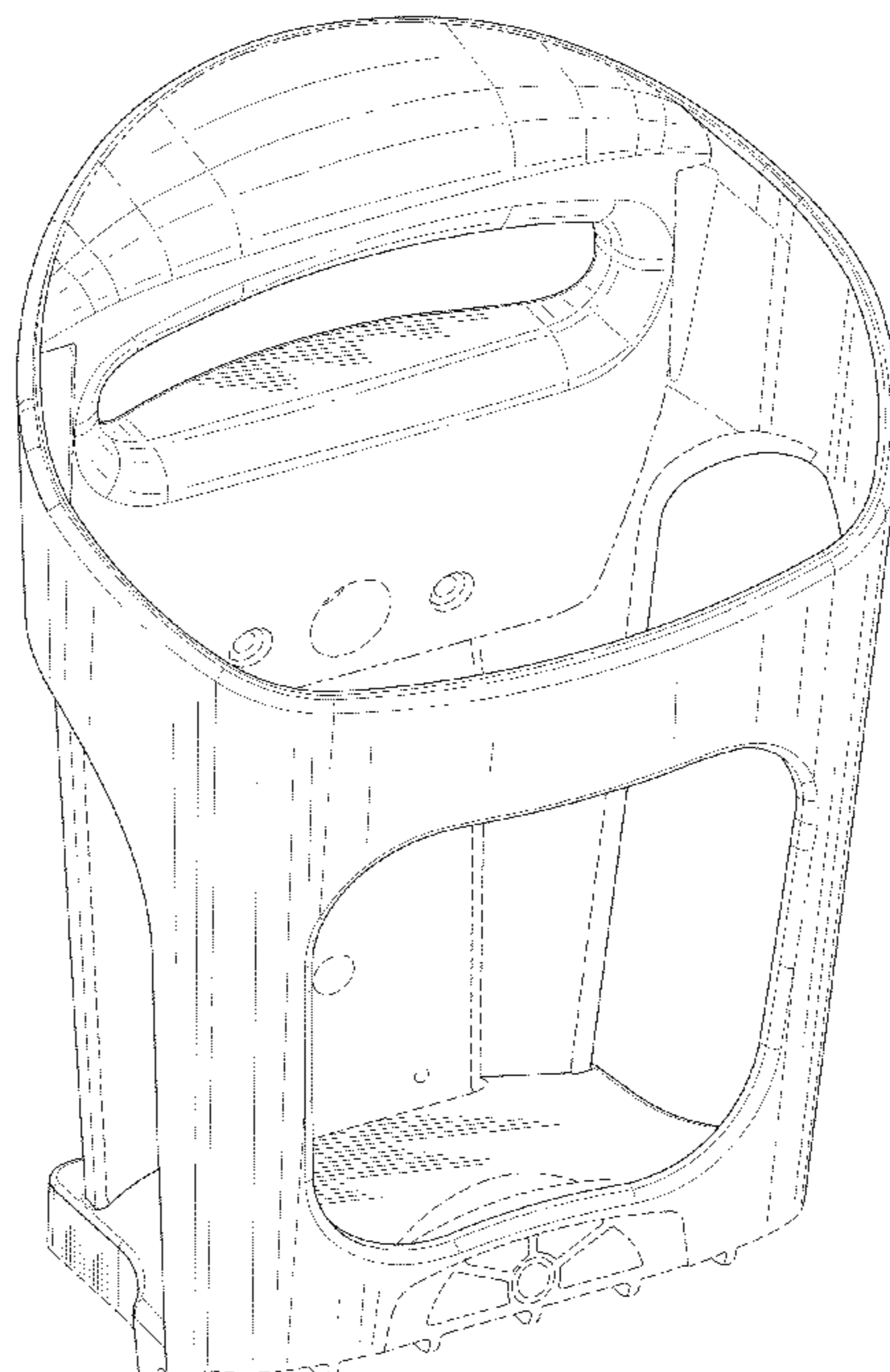
The broken lines shown herein are for the purpose of illustrating unclaimed portions of the medical device basket and form no part of the claimed design.

1 Claim, 6 Drawing Sheets

(56) **References Cited**

U.S. PATENT DOCUMENTS

D244,945	S	*	7/1977	Cuccio	D24/166
D261,804	S	*	11/1981	Foster et al.	D24/185
4,491,257	A	*	1/1985	Ingles	224/407
4,662,524	A	*	5/1987	Fullenkamp et al.	211/190
4,800,911	A	*	1/1989	Endres et al.	135/67
5,108,064	A	*	4/1992	Kreuzer	248/327
D333,114	S	*	2/1993	Taylor	D3/314
D367,111	S	*	2/1996	Peart et al.	D24/166
D462,838	S	*	9/2002	Van Ladingham	D3/304



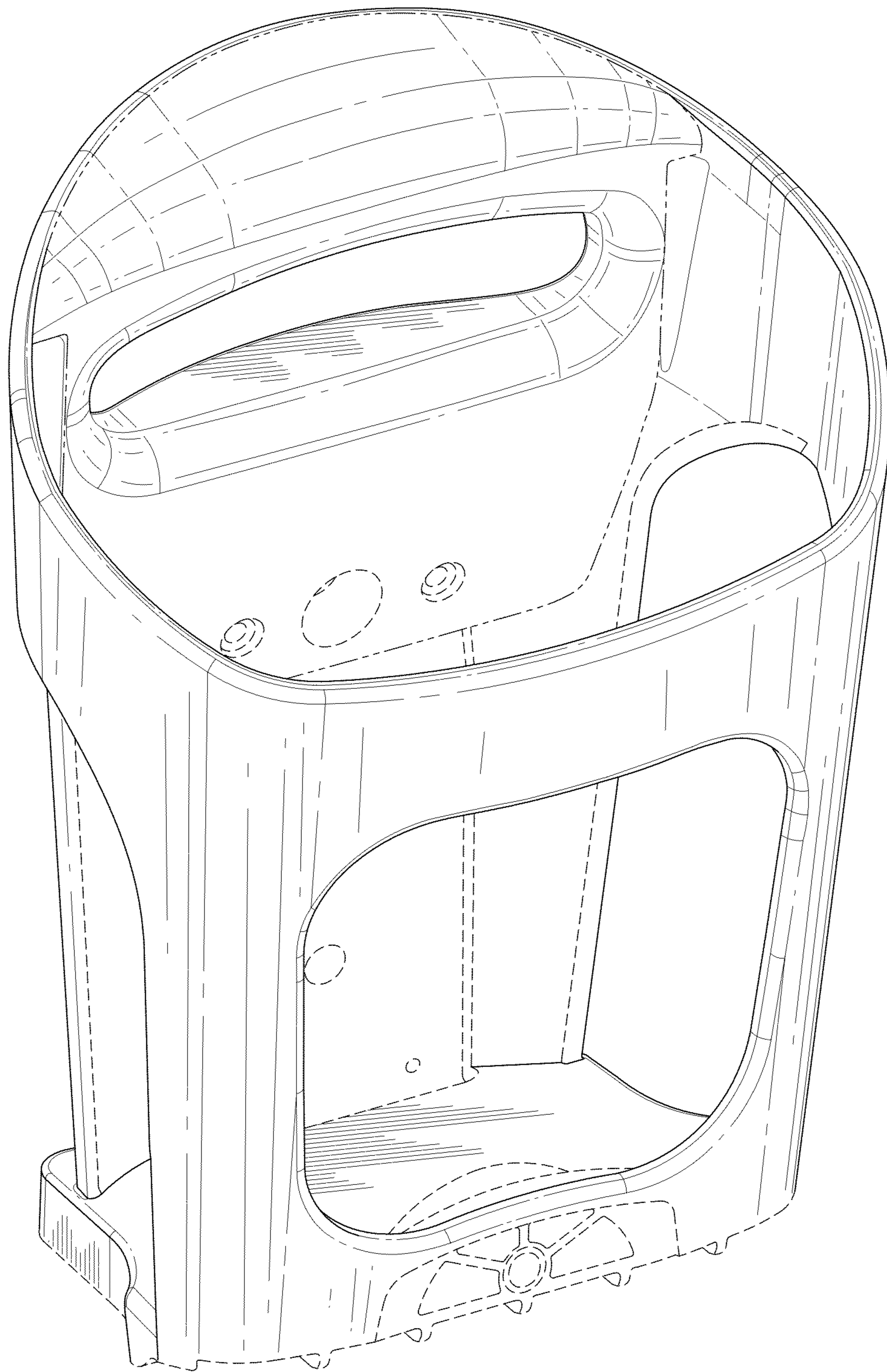


FIG. 1

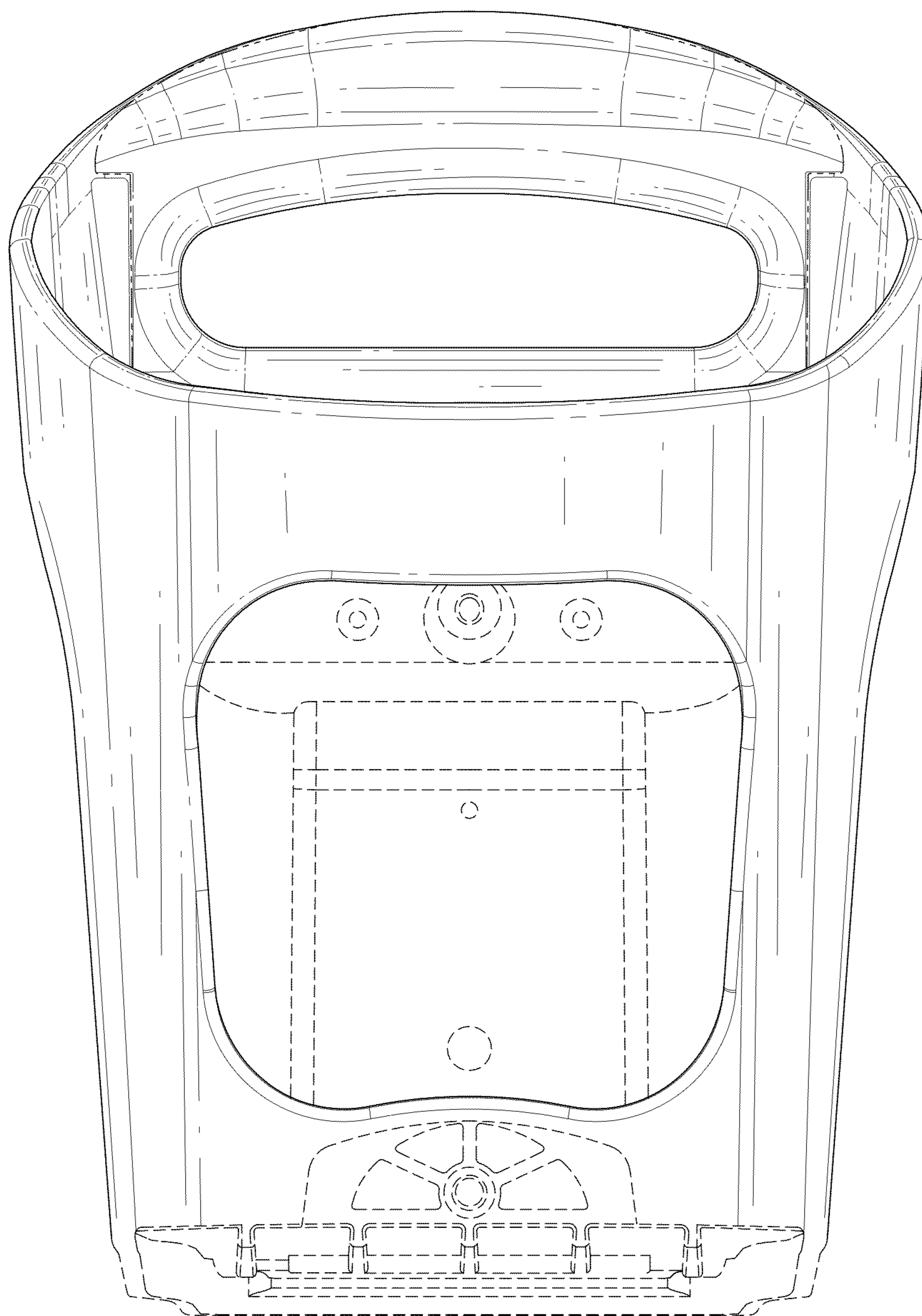


FIG. 2

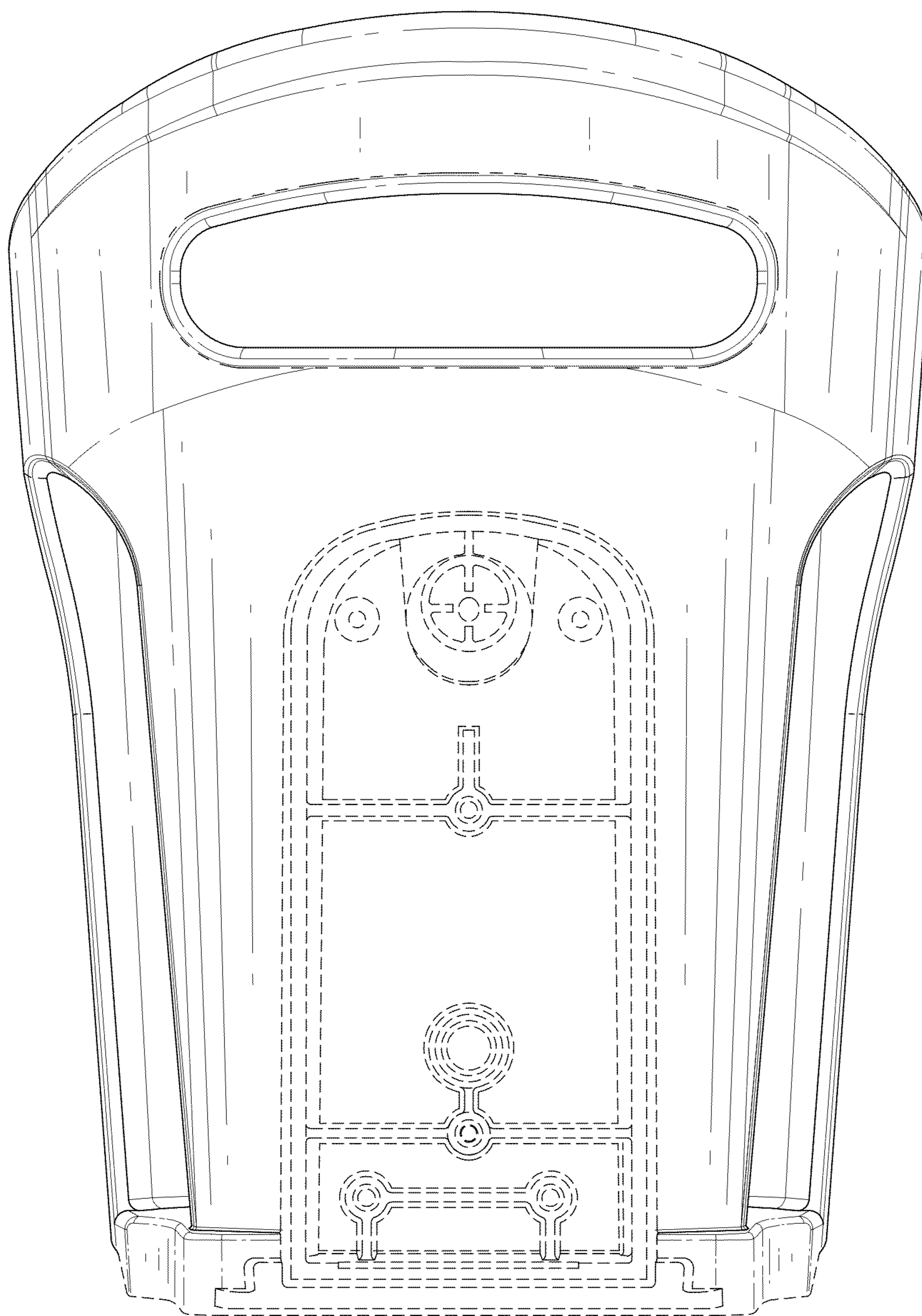


FIG. 3

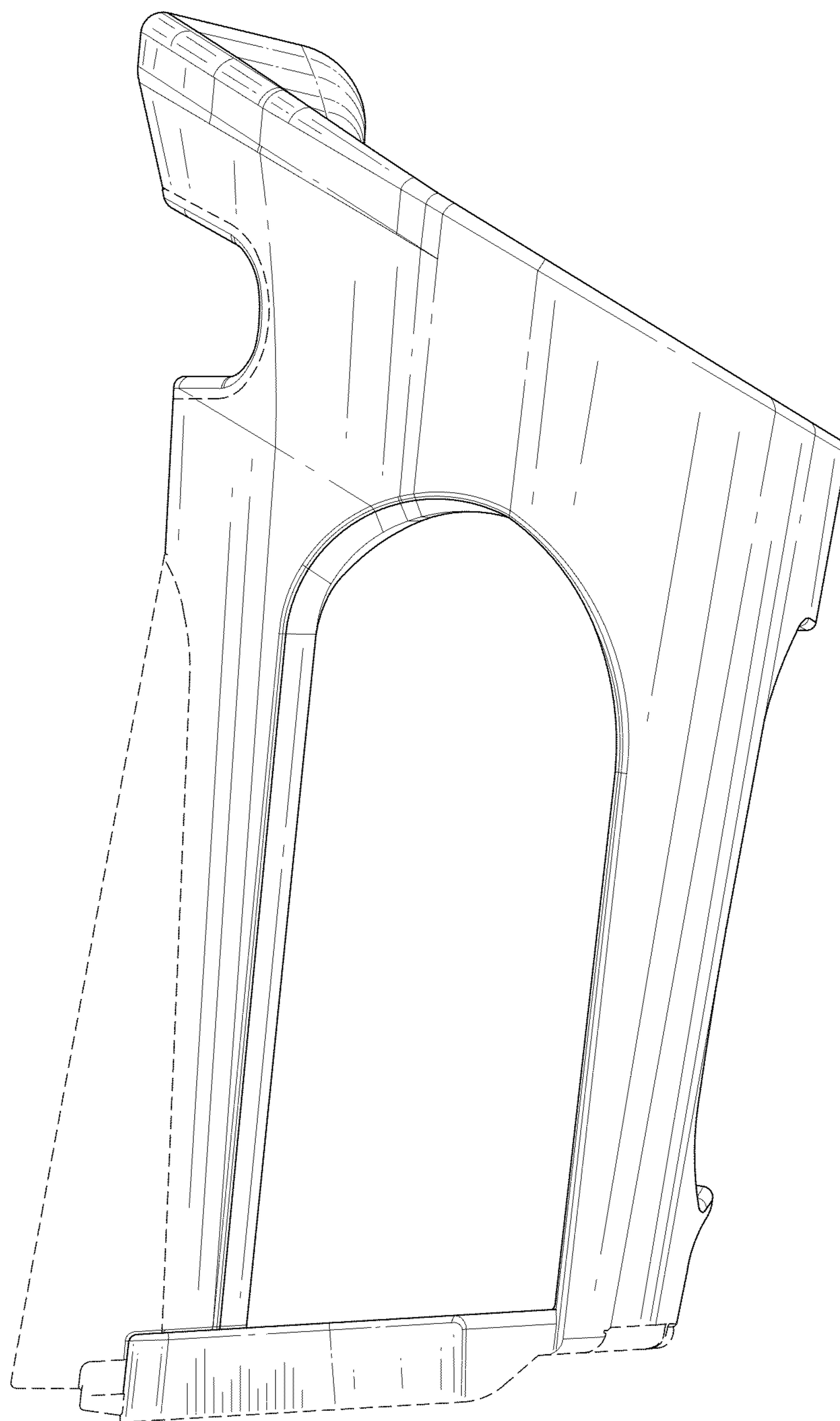


FIG. 4

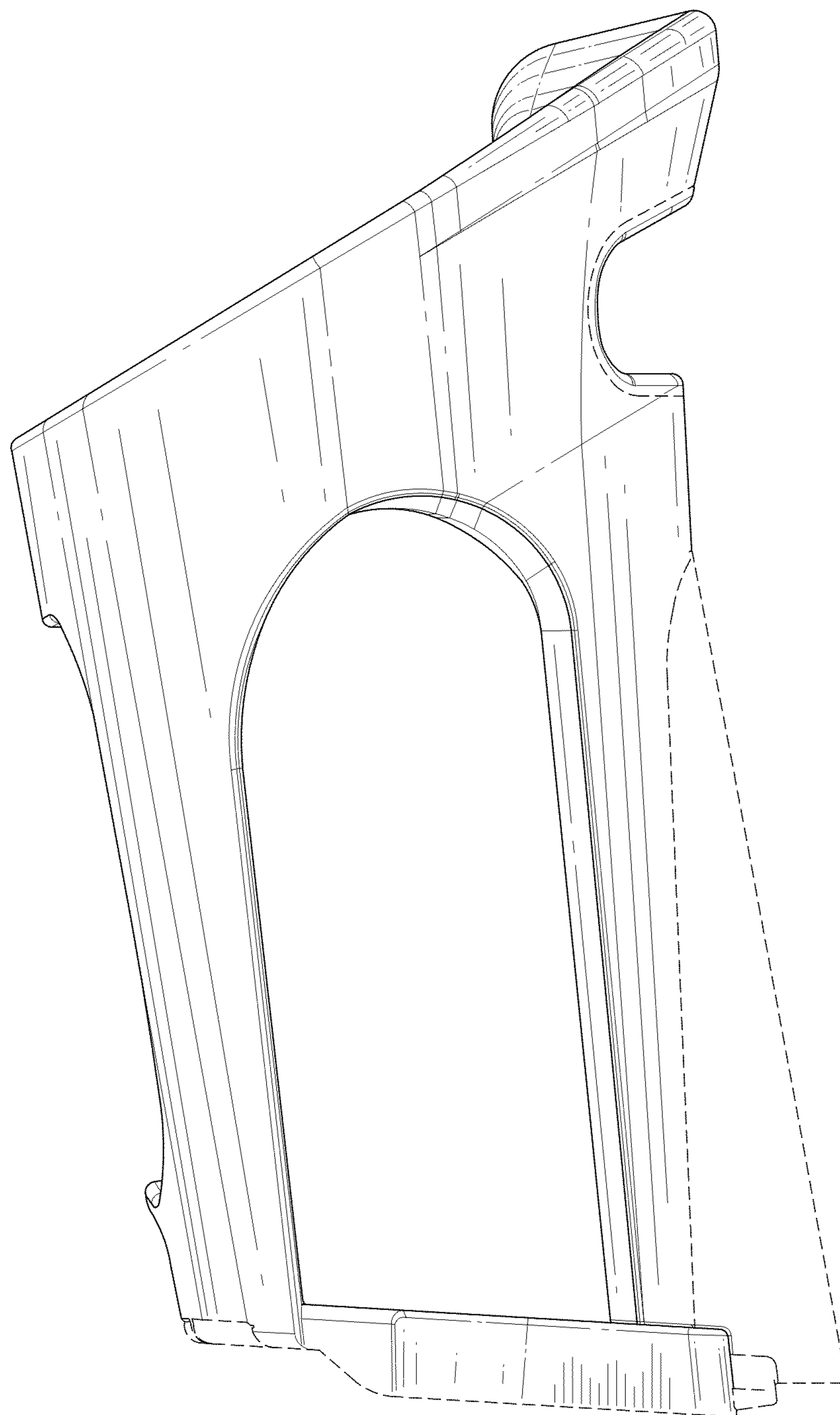


FIG. 5

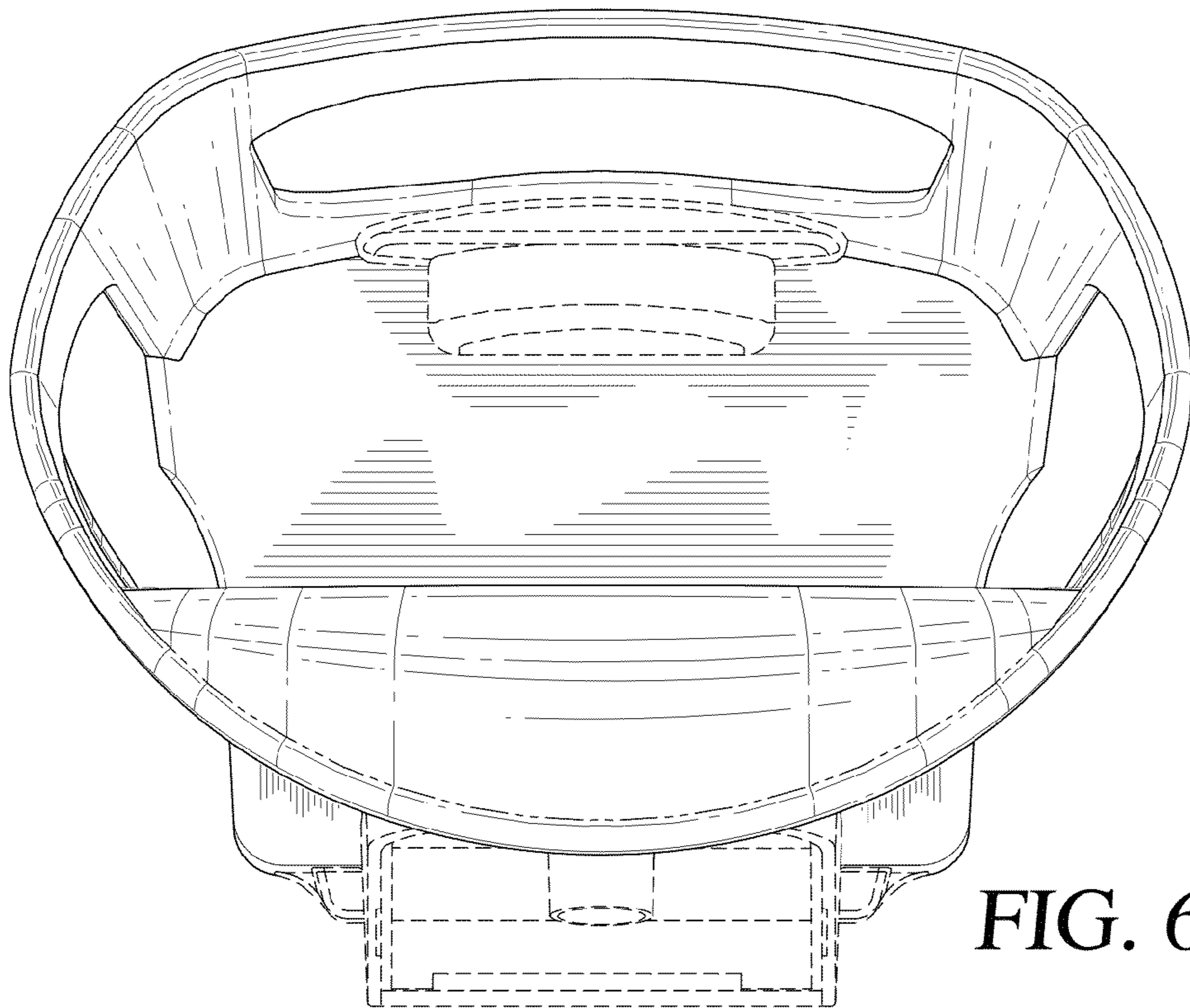


FIG. 6

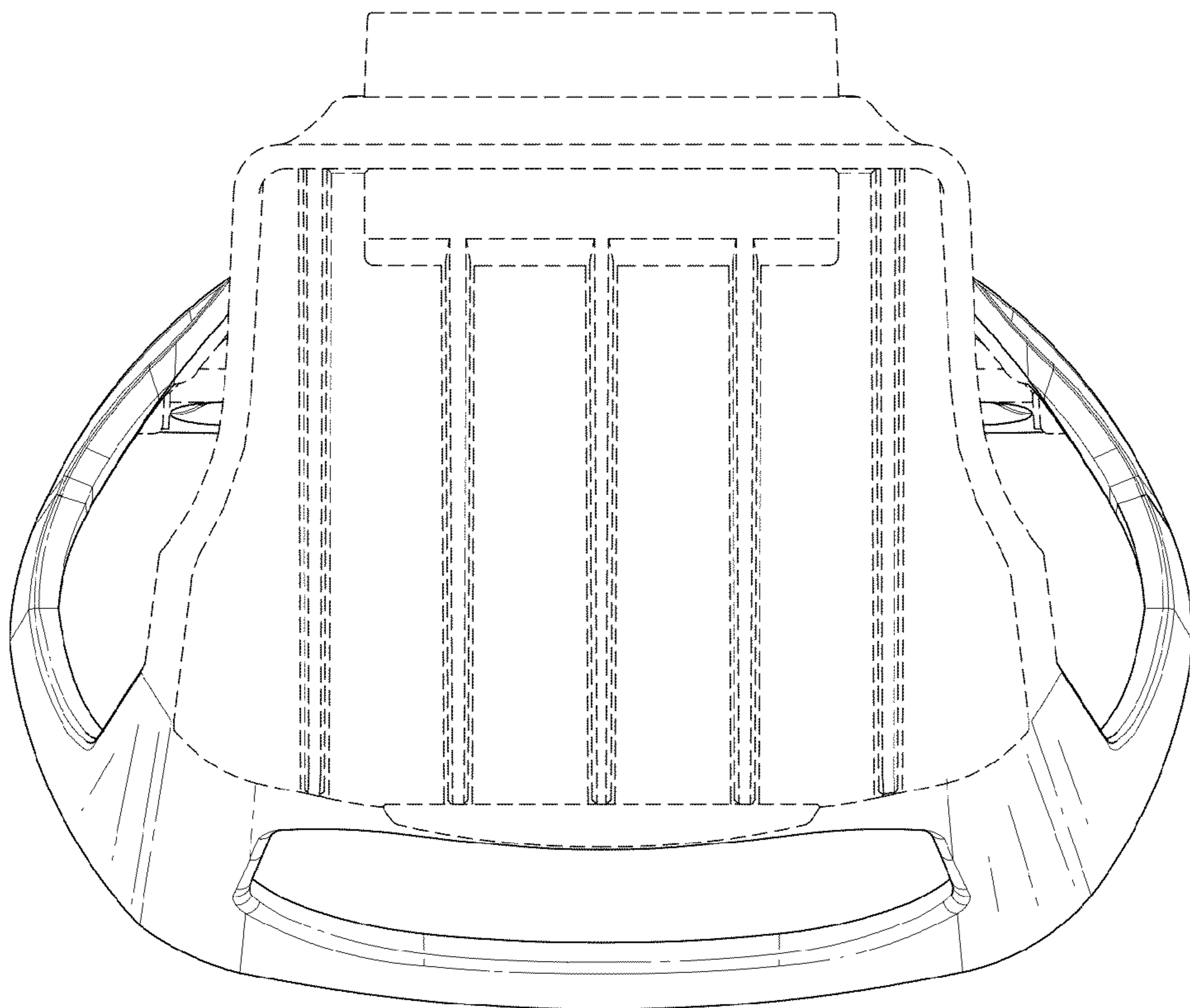


FIG. 7