



US00D687147S

(12) **United States Design Patent**  
**Yoshida**

(10) **Patent No.:** **US D687,147 S**  
(45) **Date of Patent:** **\*\* Jul. 30, 2013**

(54) **MEDICAL WORK TABLE**

(75) Inventor: **Koji Yoshida**, Tokyo (JP)

(73) Assignee: **Fujifilm Corporation**, Tokyo (JP)

(\*\*) Term: **14 Years**

(21) Appl. No.: **29/368,006**

(22) Filed: **Aug. 17, 2010**

(30) **Foreign Application Priority Data**

Feb. 17, 2010 (JP) ..... 2010-003582

(51) **LOC (9) Cl.** ..... **24-01**

(52) **U.S. Cl.**  
USPC ..... **D24/185**

(58) **Field of Classification Search**  
USPC ..... D24/160, 164, 167, 169-170, 172,  
D24/176, 185-186, 234, 158; D34/12-27;  
D6/396, 436, 460; 600/368, 372, 481, 529,  
600/544, 554; 280/47.18, 47.26, 47.34, 47.35;  
D28/9

See application file for complete search history.

(56) **References Cited**

**U.S. PATENT DOCUMENTS**

D354,353 S \* 1/1995 Ishizuka et al. .... D24/160  
D477,082 S \* 7/2003 Bromley ..... D24/170  
D477,083 S \* 7/2003 Bromley ..... D24/170  
D480,810 S \* 10/2003 Gumisawa ..... D24/158  
D512,508 S \* 12/2005 Mesaros ..... D24/185  
D548,918 S \* 8/2007 Nussberger ..... D34/17  
D553,324 S \* 10/2007 Lieblein ..... D34/14  
D560,807 S \* 1/2008 Kitayama et al. .... D24/158

D571,011 S \* 6/2008 Otoha et al. .... D24/158  
D588,272 S \* 3/2009 Meiser ..... D24/185  
D596,420 S \* 7/2009 Yoshida ..... D6/396  
D606,202 S \* 12/2009 Banryu ..... D24/185  
D612,561 S \* 3/2010 Hunter et al. .... D34/14  
D626,236 S \* 10/2010 Ninomiya et al. .... D24/185  
D630,752 S \* 1/2011 Suzuki ..... D24/158

\* cited by examiner

*Primary Examiner* — T. Chase Nelson

*Assistant Examiner* — Mark Cavanna

(74) *Attorney, Agent, or Firm* — Young & Thompson

(57) **CLAIM**

The ornamental design for a medical work table, as shown and described.

**DESCRIPTION**

FIG. 1 is a top, front and side perspective view of a medical work table showing my new design;  
FIG. 2 is a front elevational view thereof;  
FIG. 3 is a rear elevational view thereof;  
FIG. 4 is a top plan view thereof;  
FIG. 5 is a bottom plan view thereof;  
FIG. 6 is a left side elevational view thereof;  
FIG. 7 is a right side elevational view thereof; and,  
FIG. 8 is a right side elevational view thereof in a manner to change the height of a table and a tray and the like.  
The broken lines are included for the purpose of illustrating unclaimed portions of the medical work table and form no part of the claimed design.

**1 Claim, 8 Drawing Sheets**

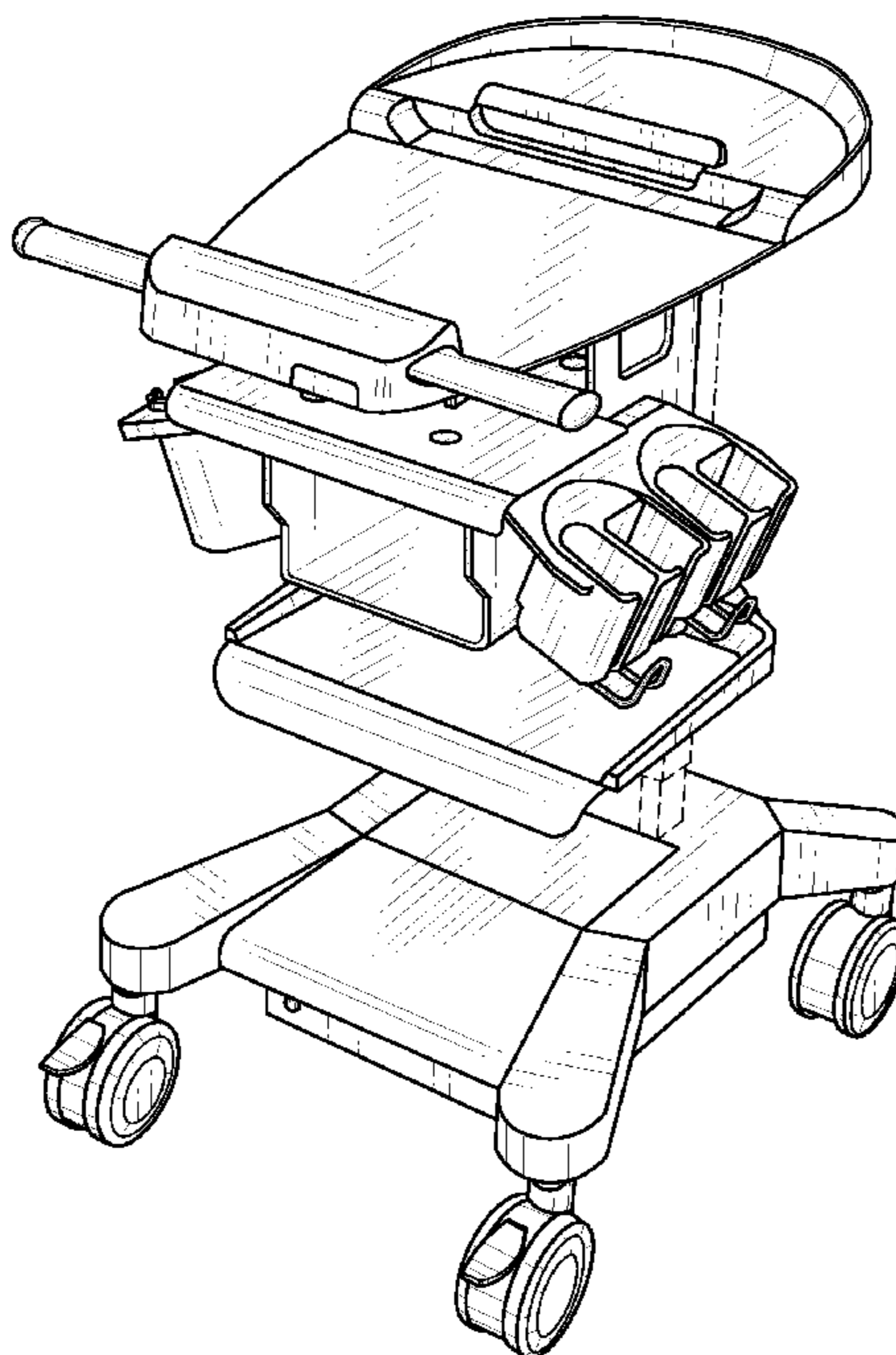


FIG. 1

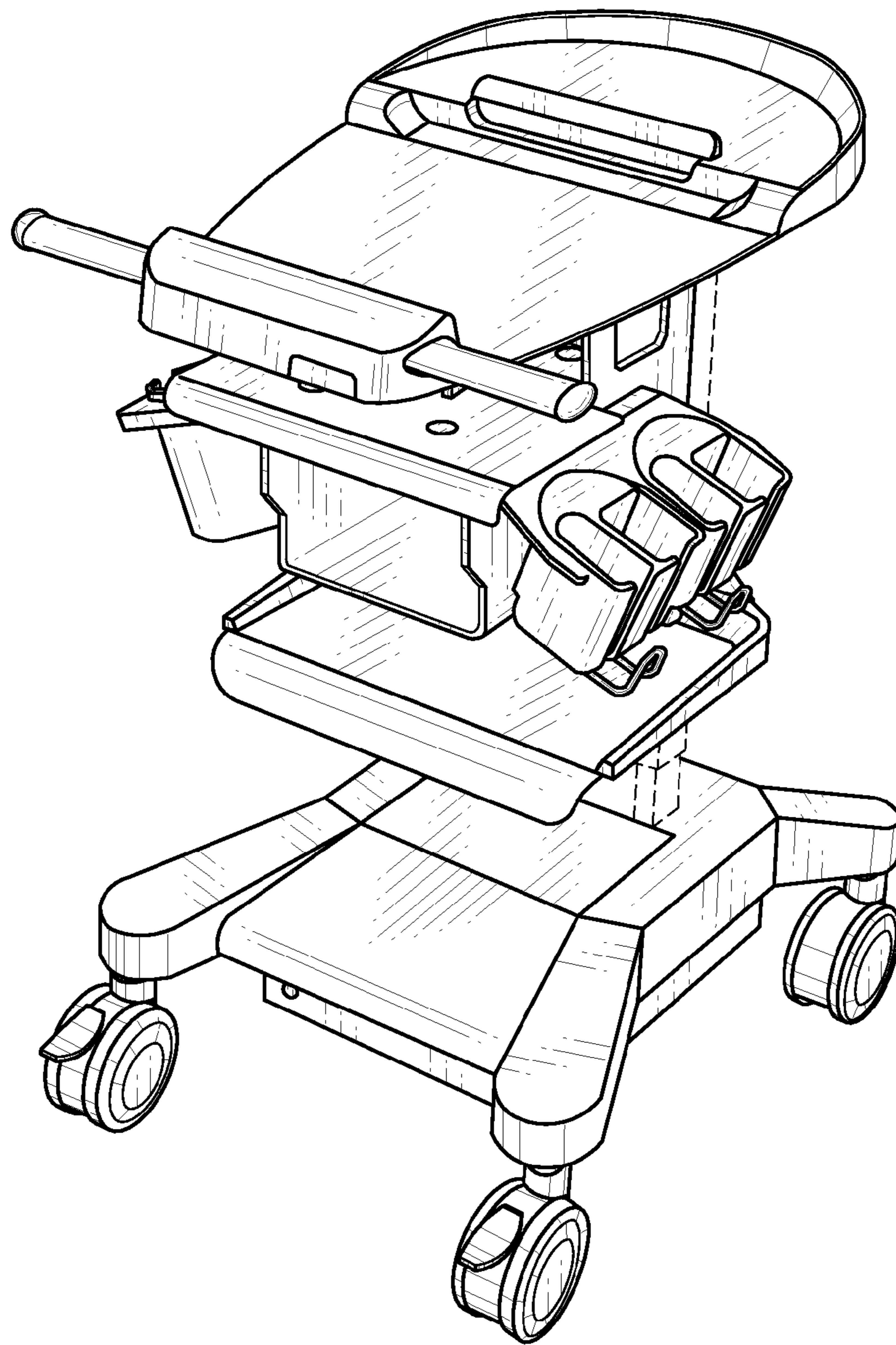


FIG. 2

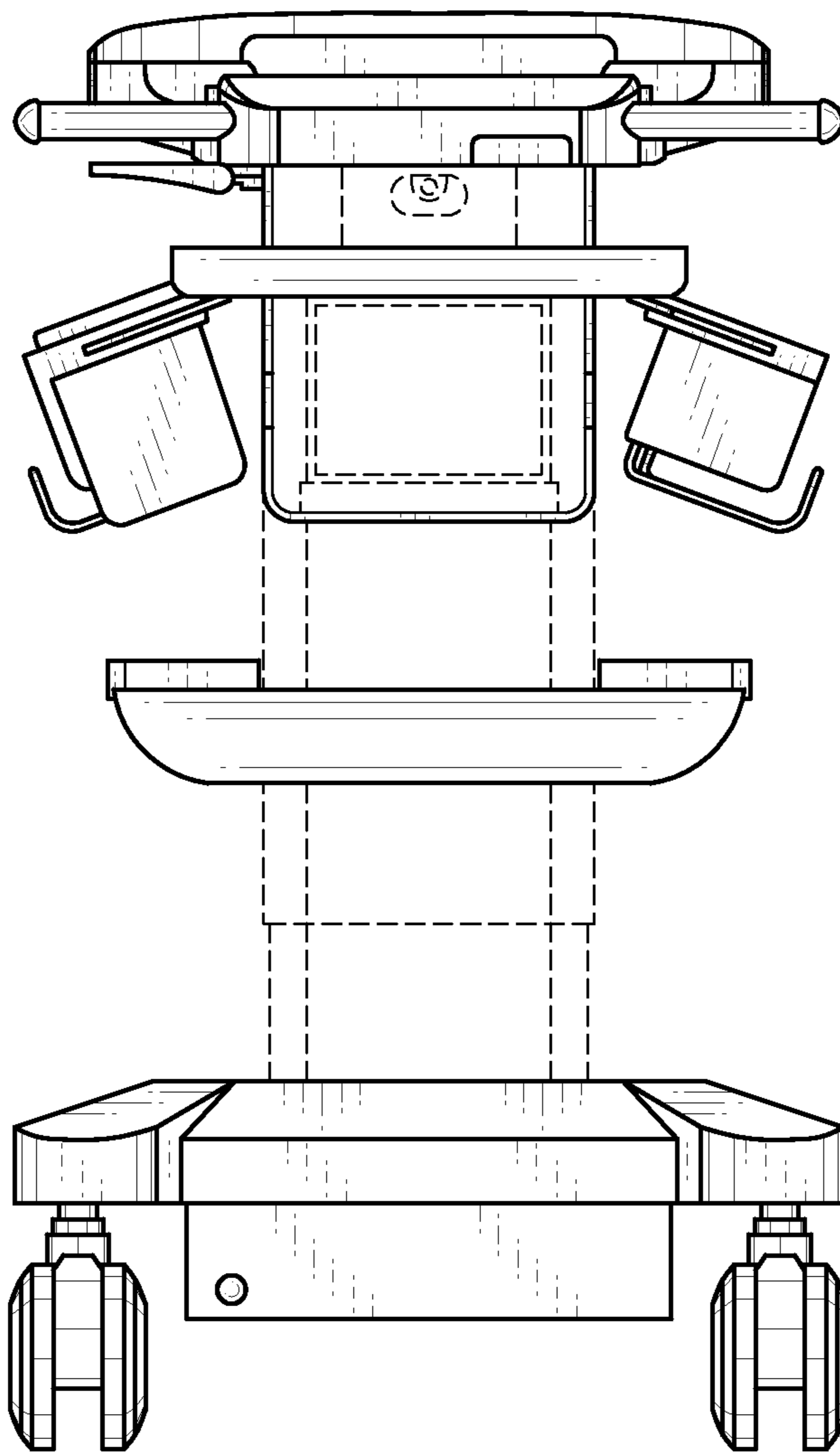


FIG. 3

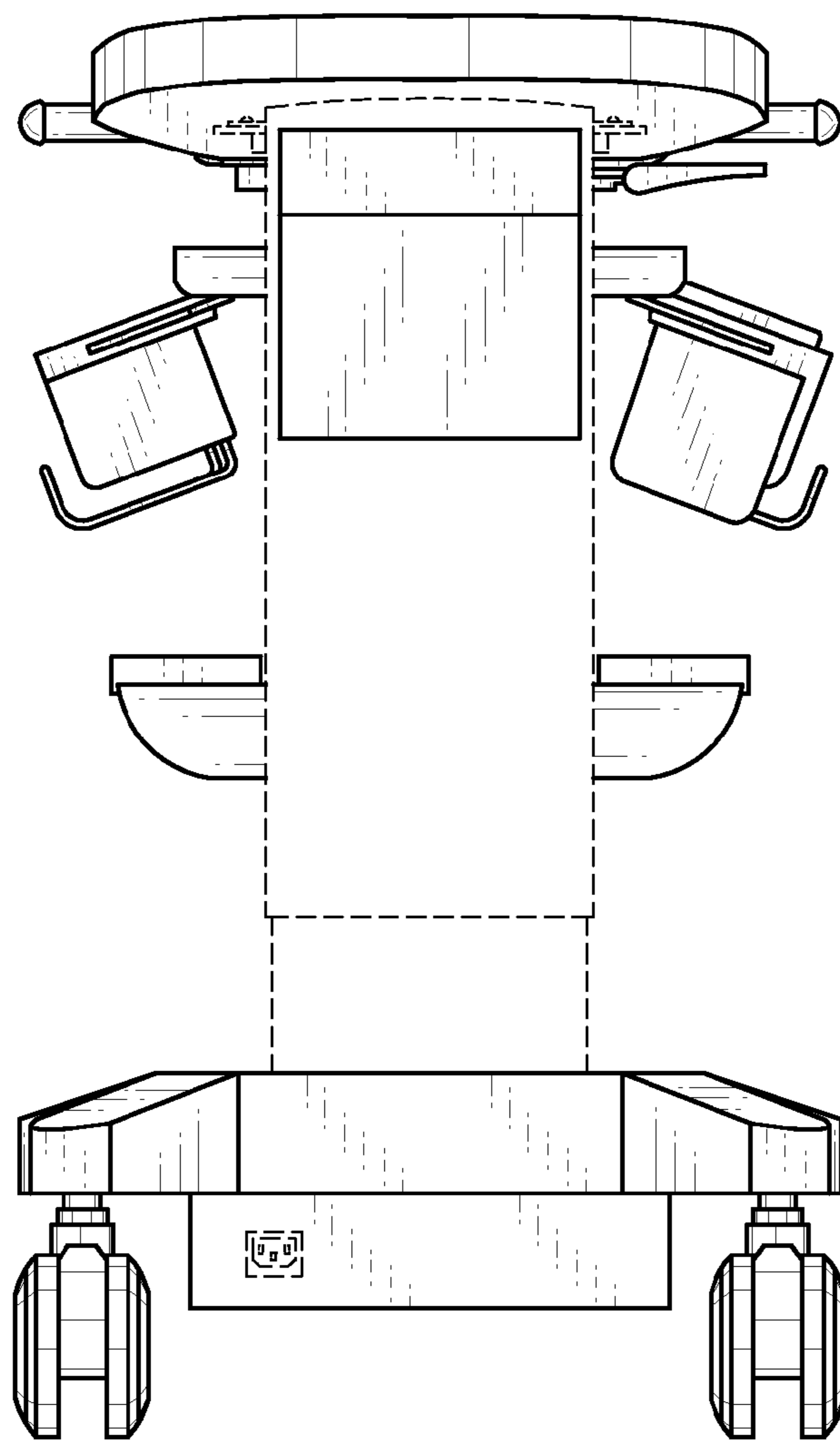


FIG. 4

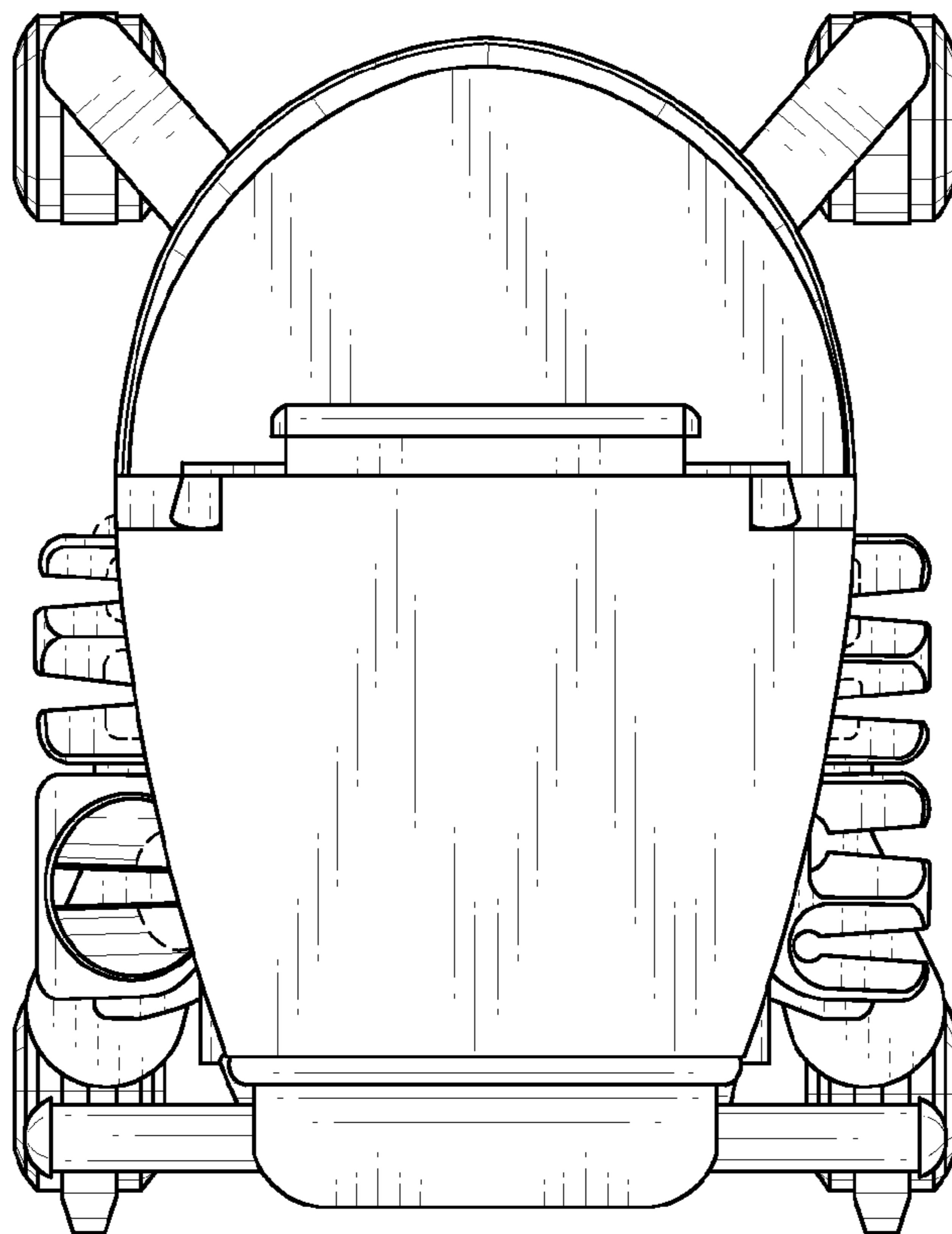


FIG. 5

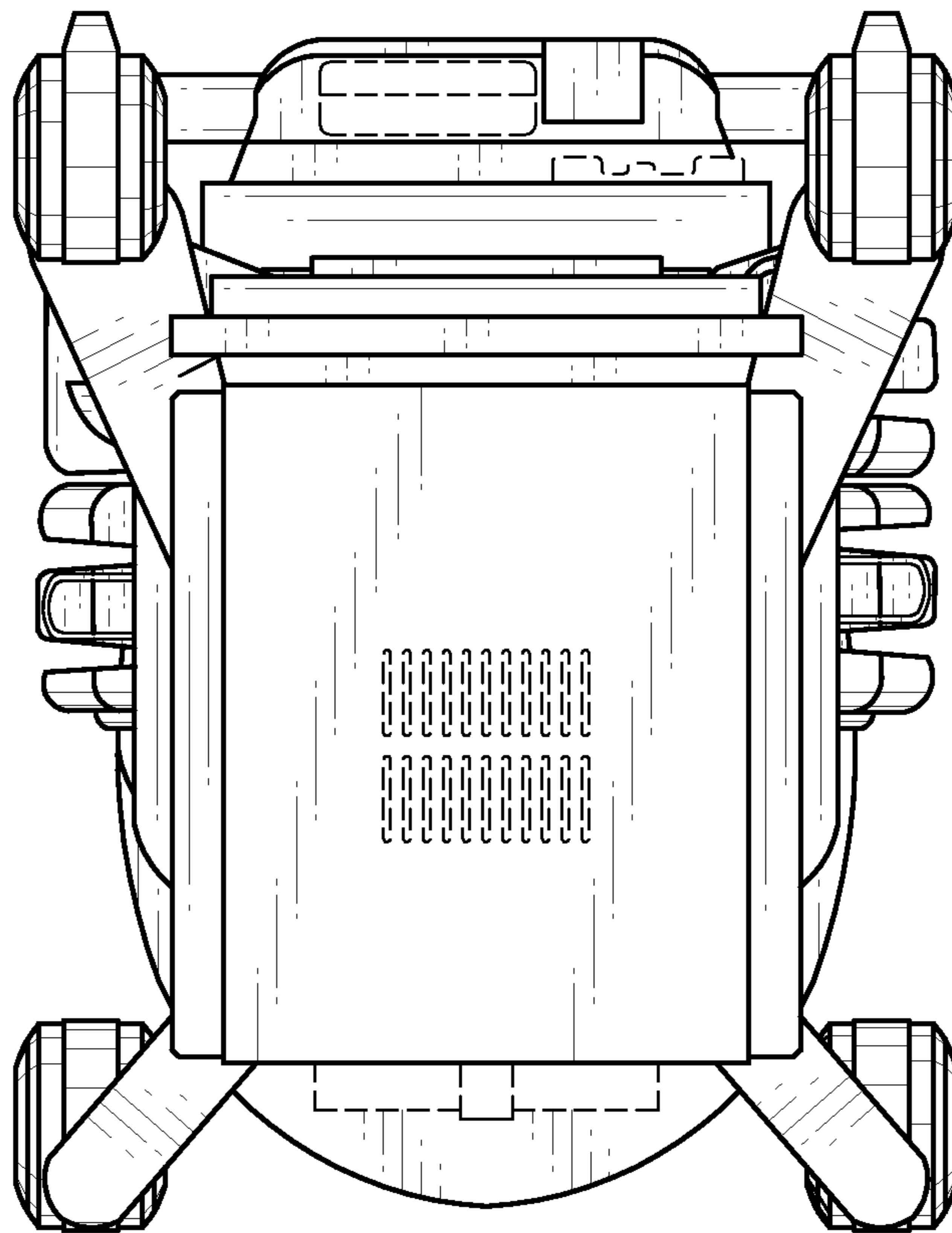




FIG. 6

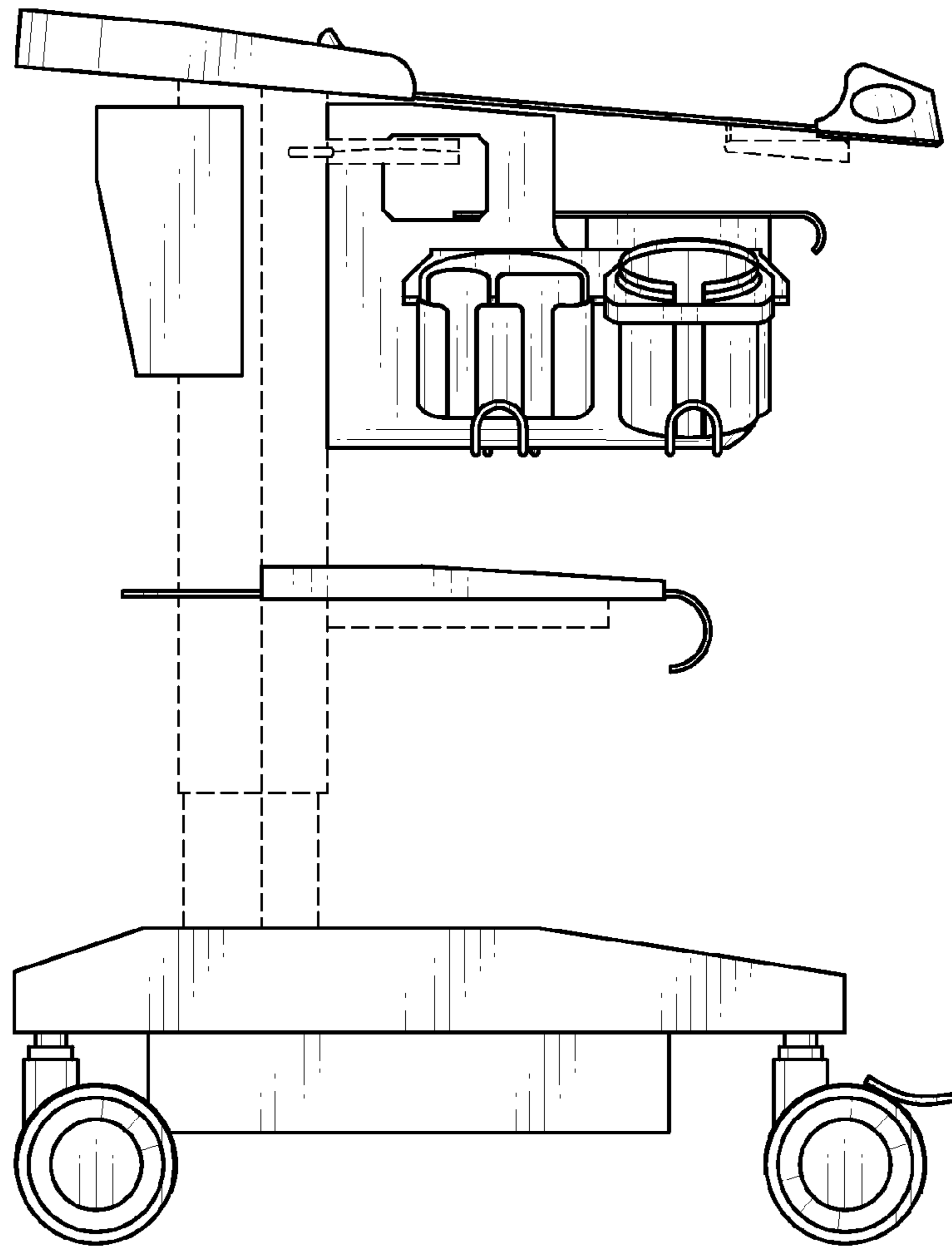


FIG. 7

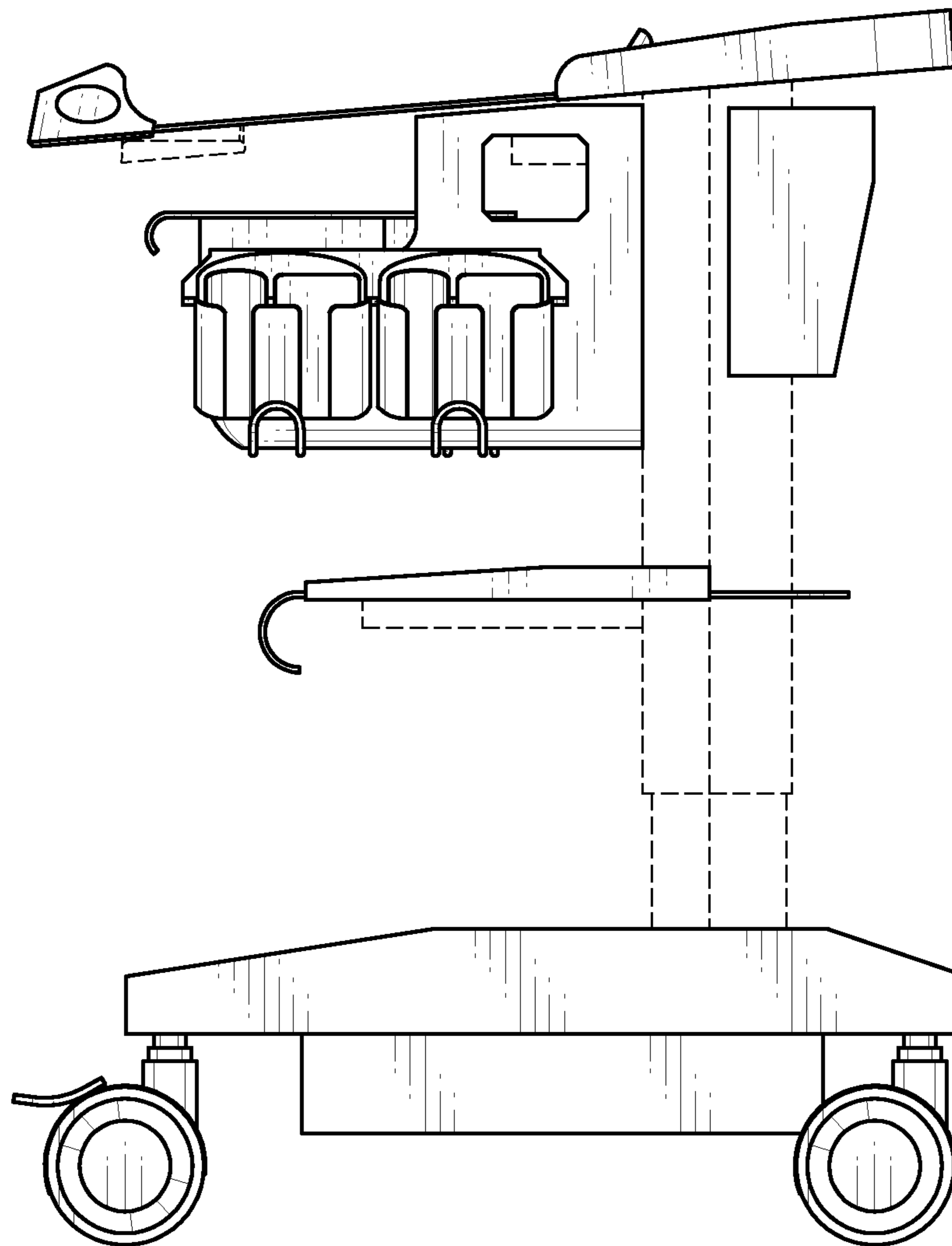




FIG. 8

