



US00D687145S

(12) **United States Design Patent**
Grönberg

(10) **Patent No.:** **US D687,145 S**
(45) **Date of Patent:** **** Jul. 30, 2013**

(54) **MALE PART OF AN ANASTOMOSIS DEVICE**

(75) Inventor: **Anders Grönberg**, Halmstad (SE)

(73) Assignee: **Carponovum AB**, Halmstad (SE)

(**) Term: **14 Years**

(21) Appl. No.: **29/422,037**

(22) Filed: **May 16, 2012**

Related U.S. Application Data

(62) Division of application No. 29/294,493, filed on Jan. 14, 2008, now Pat. No. Des. 660,960.

(30) **Foreign Application Priority Data**

Jul. 13, 2007 (EM) 000757489

(51) **LOC (9) Cl.** **24-02**

(52) **U.S. Cl.**
USPC **D24/129**

(58) **Field of Classification Search**
USPC .. D24/127-129, 133, 143, 145; D8/394-396;
D23/233, 235, 249, 259-262, 263-269;
137/516.12, 516.27; 277/602, 608; 606/8,
606/139-140, 151-154, 156-157, 220
See application file for complete search history.

(56) **References Cited**

U.S. PATENT DOCUMENTS

1,470,707	A	10/1923	Bates
2,428,918	A	10/1947	Miller
2,453,056	A	11/1948	Zack
D196,723	S	10/1963	Davis, Jr.
D196,724	S	10/1963	Davis, Jr.
3,384,392	A	5/1968	Gilchrist
4,182,339	A	1/1980	Hardy, Jr.
4,657,019	A	4/1987	Walsh et al.

4,747,407	A	*	5/1988	Liu et al.	606/153
4,752,024	A	*	6/1988	Green et al.	606/220
4,930,502	A		6/1990	Chen	
D323,213	S		1/1992	Iacone	
D331,971	S		12/1992	Main	
5,250,057	A		10/1993	Chen	
D345,795	S		4/1994	Green et al.	
D355,708	S	*	2/1995	Caine	D23/260
D359,352	S		6/1995	van der Valk	
5,503,635	A	*	4/1996	Sauer et al.	606/153

(Continued)

FOREIGN PATENT DOCUMENTS

CA	131666	*	10/2009
JP	D1350128	*	2/2009
JP	D1350129		2/2009
KR	300518153.0000		1/2009

OTHER PUBLICATIONS

Google Image Result for http://en.gcimg.net/product/day_20100126/s_145287c12505d15b8569a3031eea0ee4.jpg. 1 page. Viewed Dec. 27, 2010.

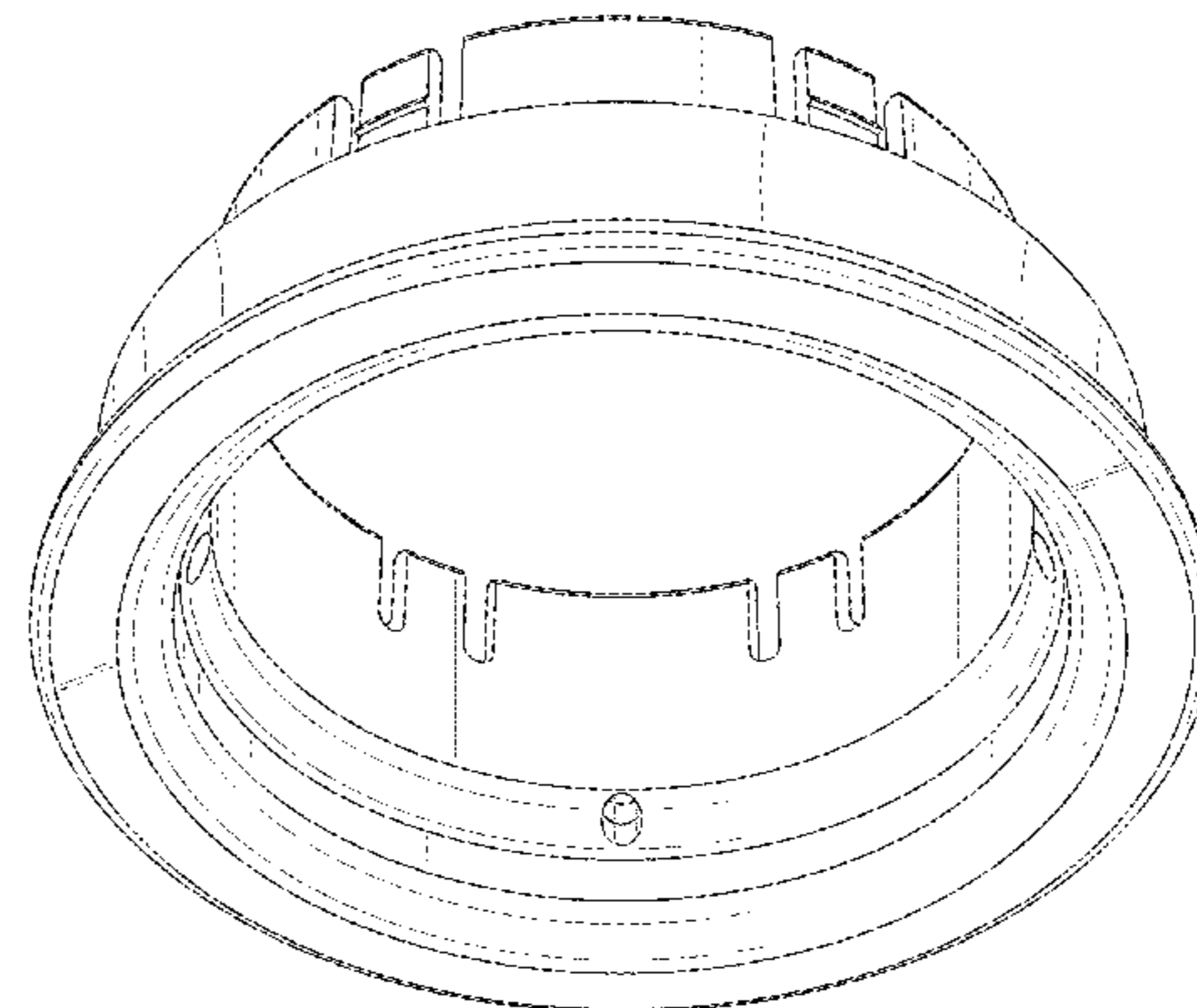
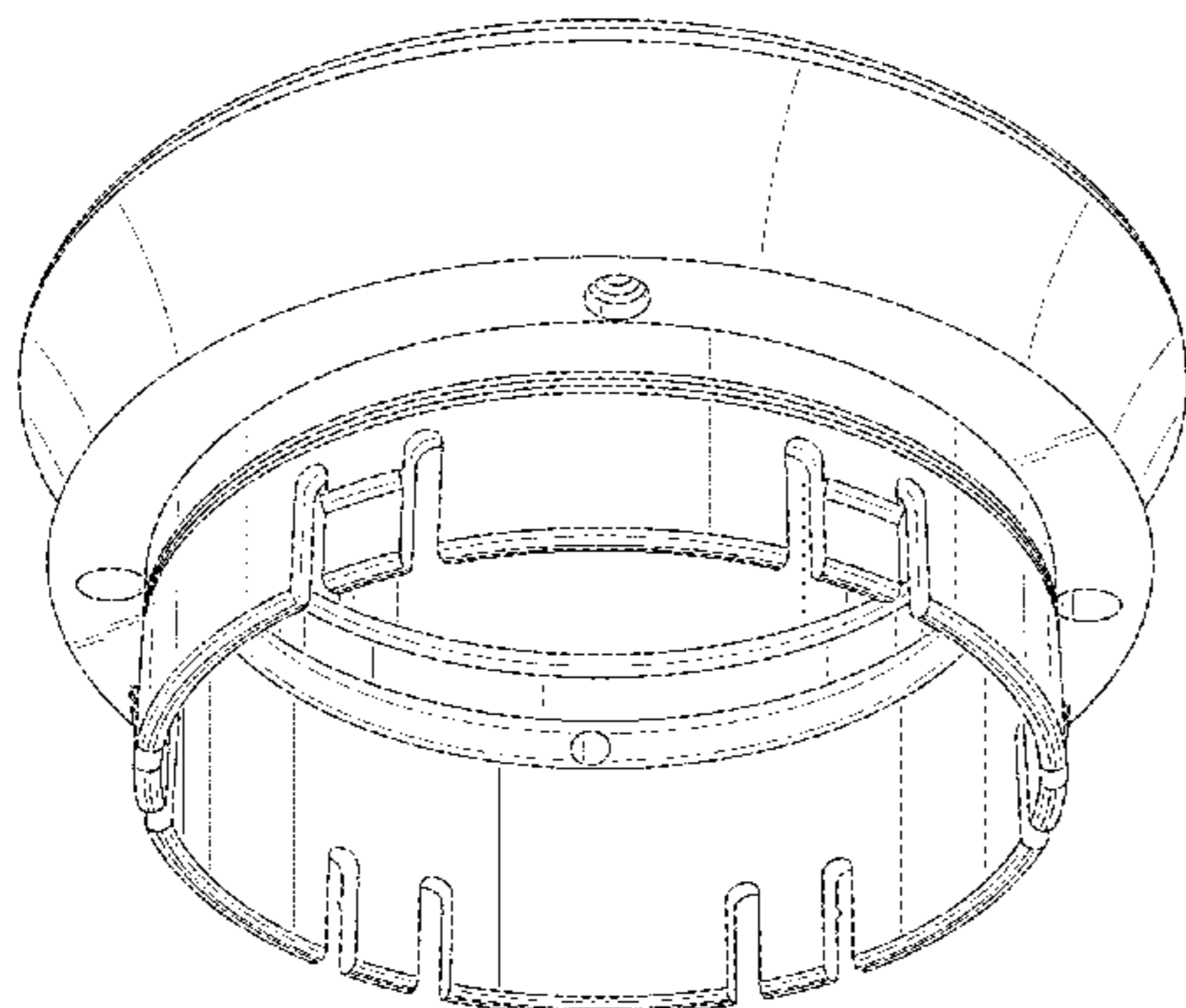
Primary Examiner — Wan Laymon
(74) *Attorney, Agent, or Firm* — Capitol City Techlaw

(57) **CLAIM**
The ornamental design for a male part of an anastomosis device, as shown.

DESCRIPTION

FIG. 1 is a bottom view of a male part of an anastomosis device showing my new design;
FIG. 2 is a top view thereof;
FIG. 3 is a bottom perspective view thereof;
FIG. 4 is a top perspective view thereof;
FIG. 5 is a side view thereof; and,
FIG. 6 is another side view thereof.

1 Claim, 5 Drawing Sheets



US D687,145 S

Page 2

U.S. PATENT DOCUMENTS			
6,248,117	B1	6/2001	Blatter
6,290,238	B1 *	9/2001	Johnson, Jr. 277/626
6,551,334	B2 *	4/2003	Blatter et al. 606/153
6,740,101	B2	5/2004	Houser et al.
7,220,268	B2	5/2007	Blatter
7,241,300	B2 *	7/2007	Sharkawy et al. 606/153
D558,310	S	12/2007	Quesada
7,793,813	B2	9/2010	Bettuchi
7,901,417	B2 *	3/2011	Blatter et al. 606/153
8,034,064	B2 *	10/2011	Blatter 606/153
8,066,724	B2 *	11/2011	Golden et al. 606/153
2004/0172041	A1	9/2004	Gresham et al.
2008/0249546	A1 *	10/2008	Sandstrom et al. 606/153
2009/0012543	A1 *	1/2009	Kansoul 606/153
2009/0076532	A1	3/2009	Rebuffat et al.
2009/0105734	A1	4/2009	Gronberg et al.
2009/0138030	A1	5/2009	Gronberg

* cited by examiner

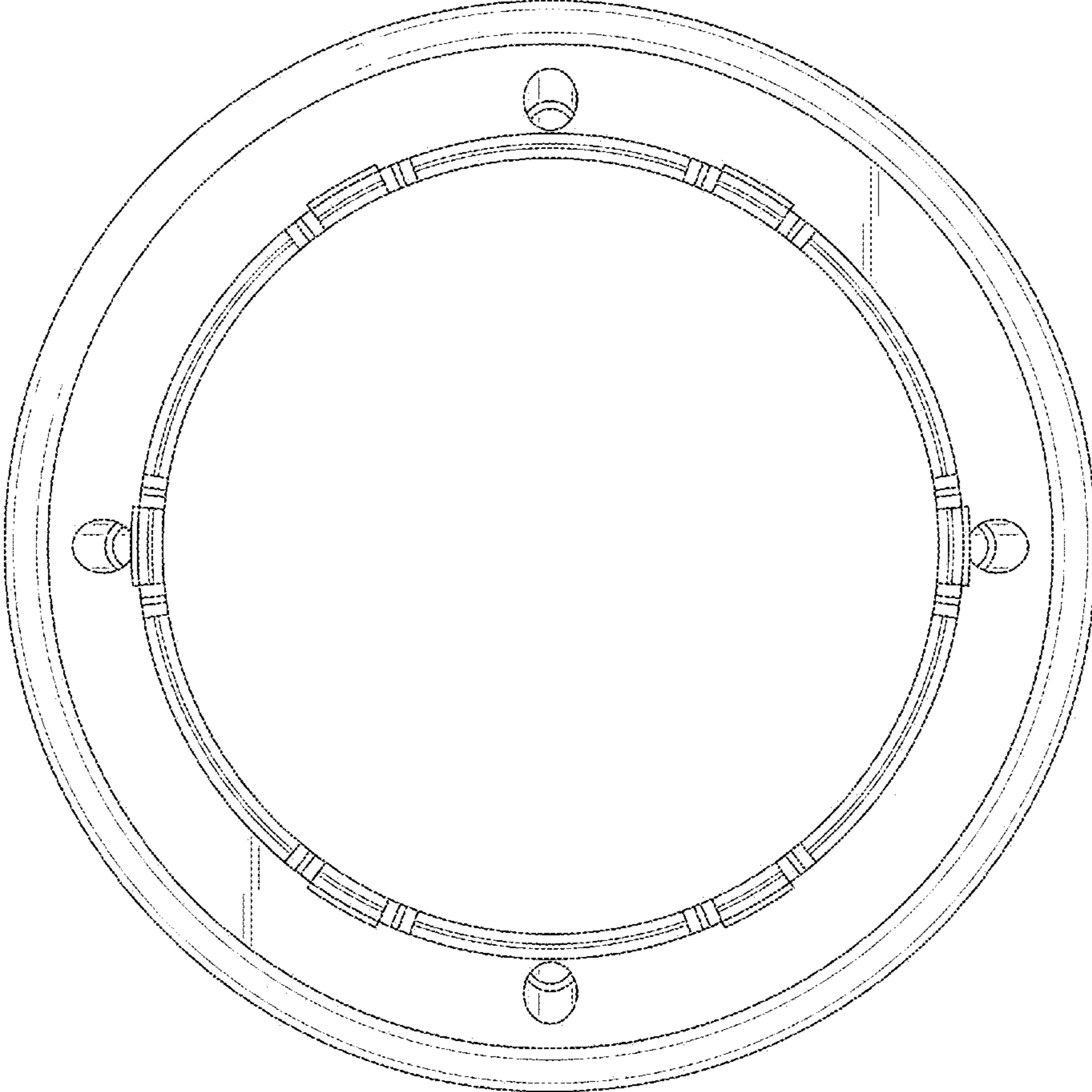


FIG. 1

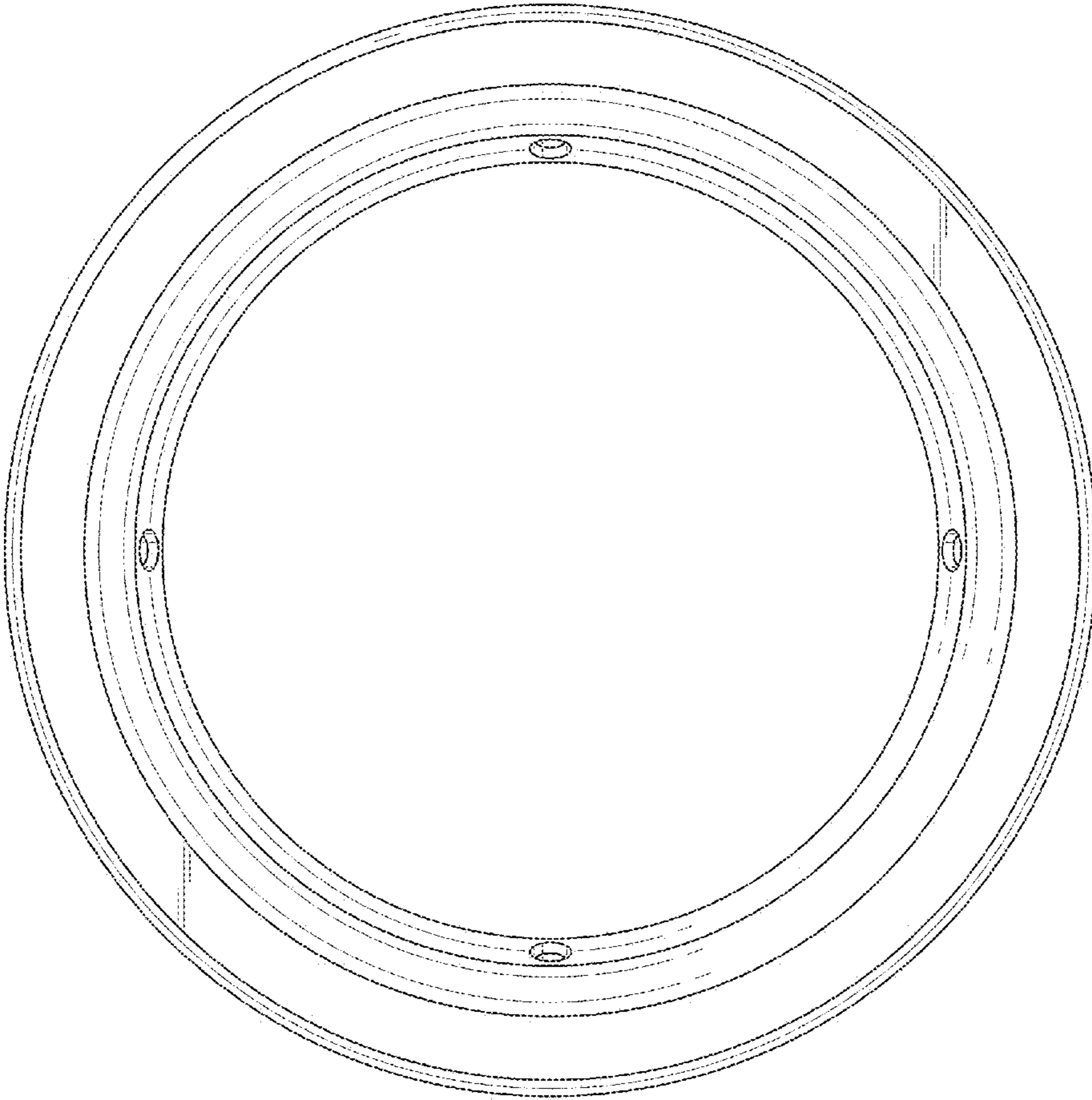


FIG. 2

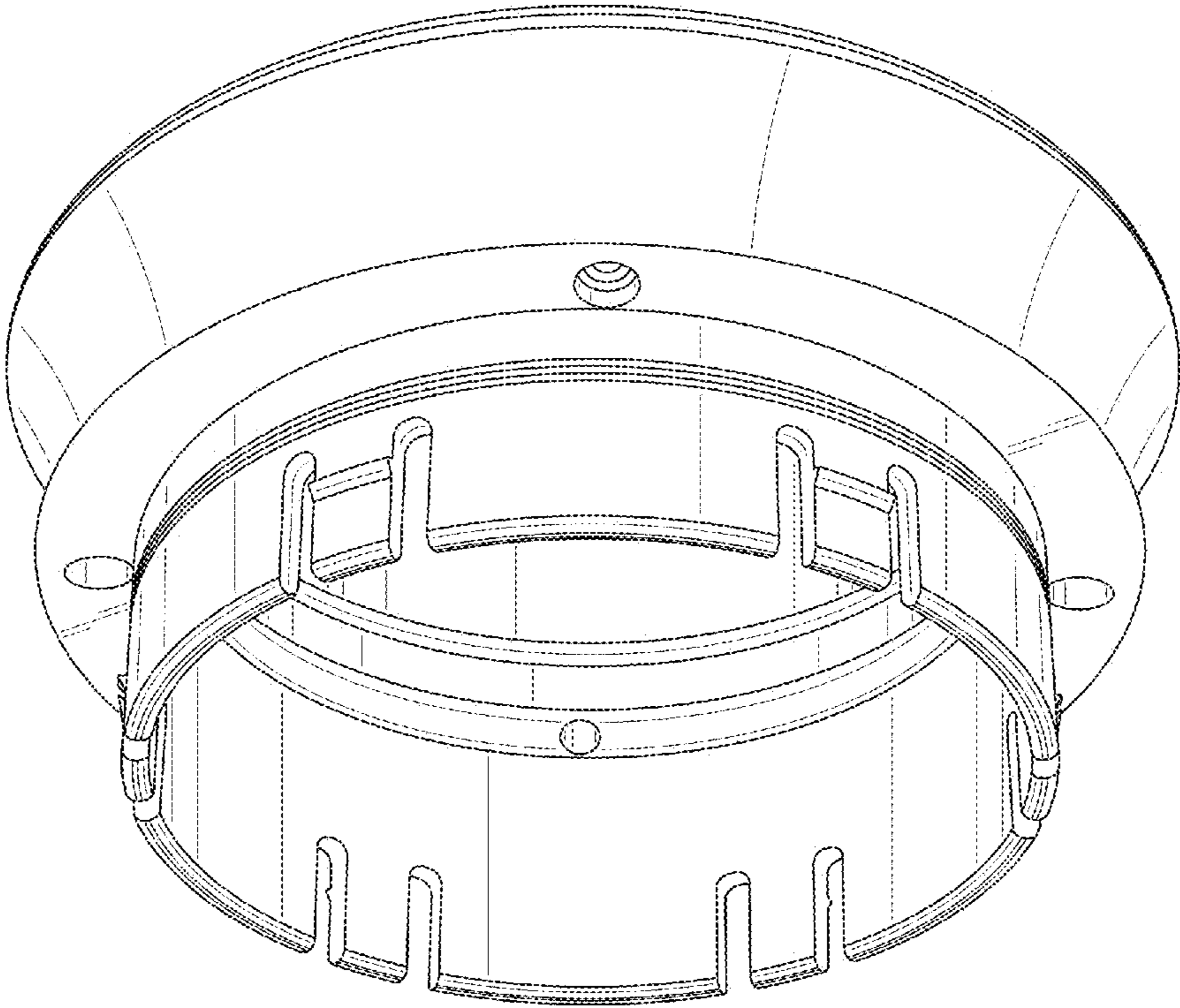


FIG. 3

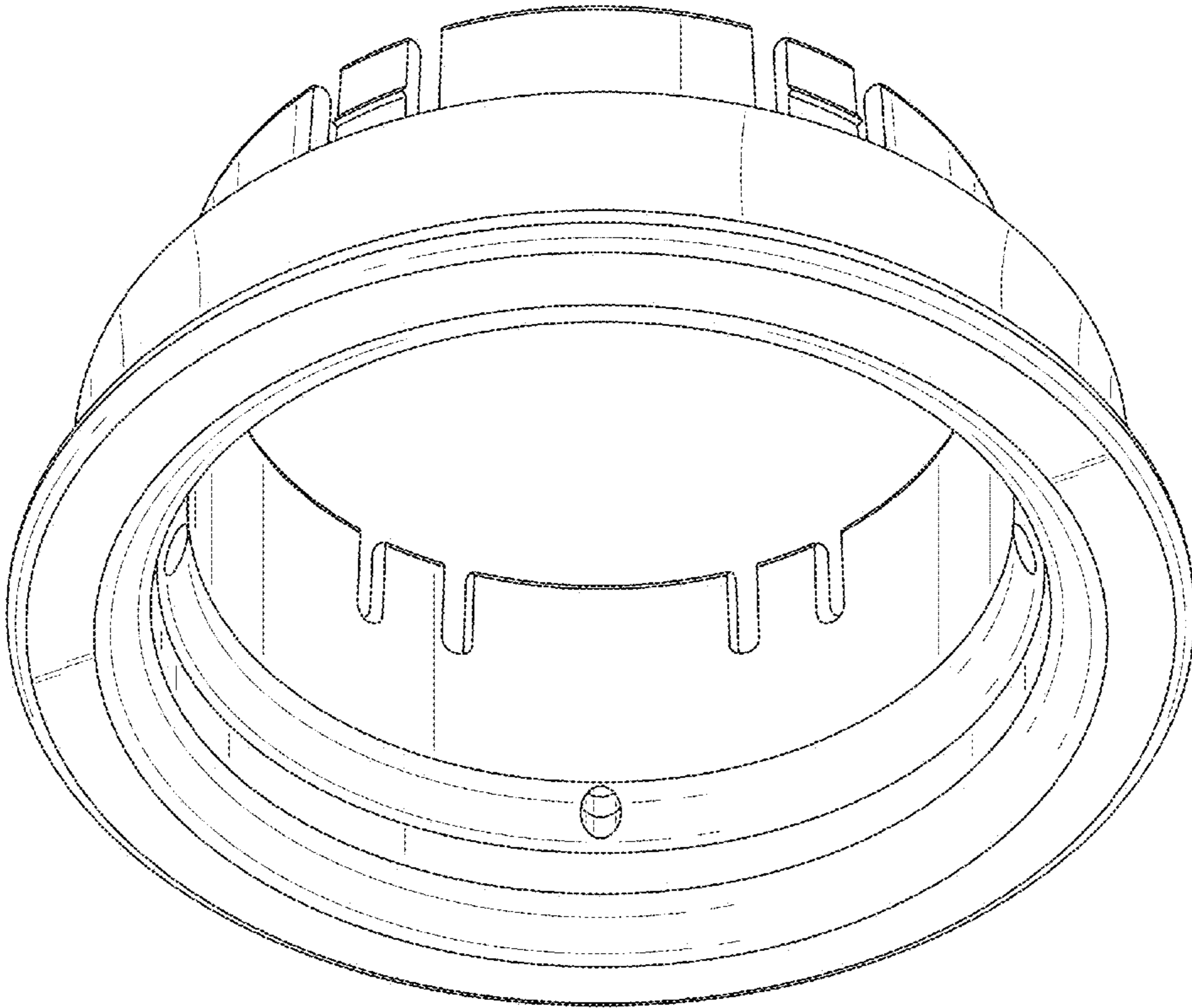


FIG. 4

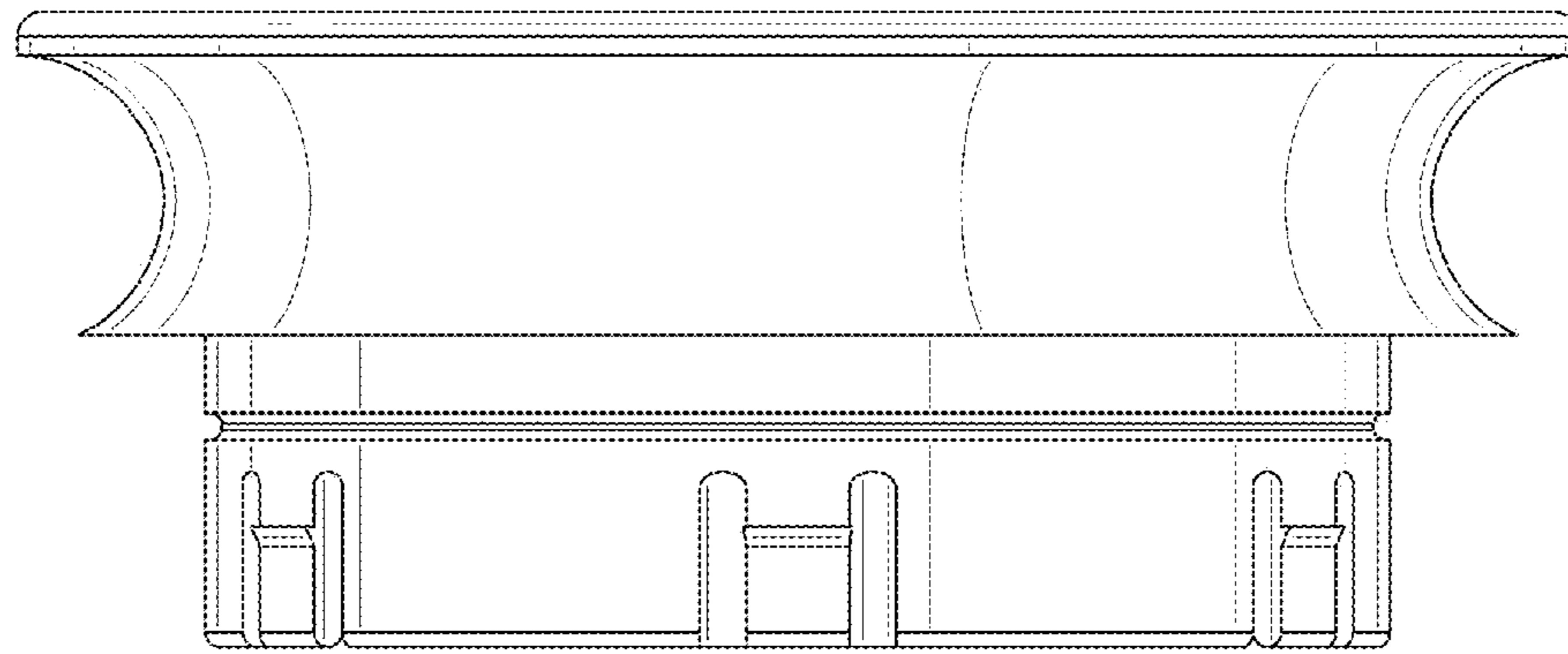


FIG. 5

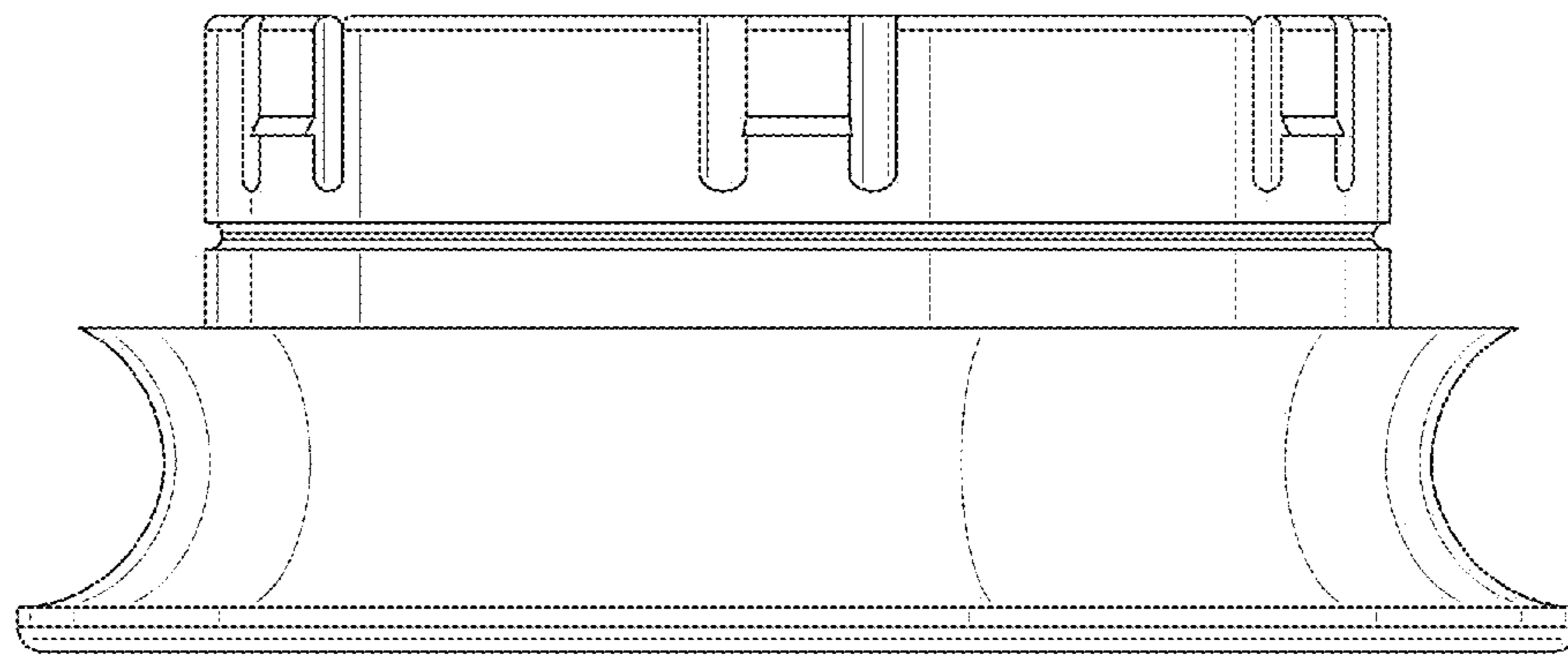


FIG. 6