



US00D687143S

(12) **United States Design Patent**
Ogura et al.

(10) **Patent No.:** **US D687,143 S**
(45) **Date of Patent:** **** Jul. 30, 2013**

(54) **APPLICATOR DEVICE**

(75) Inventors: **Makoto Ogura**, Tsukuba (JP); **Seiji Tokumoto**, Tsukuba (JP)

(73) Assignee: **Hisamitsu Pharmaceutical Co., Inc.**,
Tosu-shi (JP)

(**) Term: **14 Years**

(21) Appl. No.: **29/411,801**

(22) Filed: **Jan. 26, 2012**

(30) **Foreign Application Priority Data**

Jul. 27, 2011 (JP) D2011-017262

(51) **LOC (9) Cl.** **24-02**

(52) **U.S. Cl.**
USPC **D24/119**

(58) **Field of Classification Search**
USPC D24/127-131, 112-114, 133, 186,
D24/147; 606/162, 180, 181, 185; 604/264,
604/272, 115, 1, 2, 19, 3, 309, 73, 540, 232,
604/187, 158, 164.08, 192, 263, 163, 181,
604/184, 198, 227; 600/572, 101, 139, 143;
128/200.24, 207.14, 207.151; 132/317; 401/196
See application file for complete search history.

(56) **References Cited**

U.S. PATENT DOCUMENTS

D320,275 S 9/1991 Wada et al.
D322,671 S * 12/1991 Szwarc D24/130
D351,229 S 10/1994 Wirt
D364,003 S 11/1995 Benson
D428,142 S 7/2000 Stromblad
D447,231 S * 8/2001 Chen Fu et al. D24/121

D499,841 S 12/2004 Angeletta
D565,732 S * 4/2008 Pech et al. D24/130
D579,113 S 10/2008 Edgett et al.
D612,493 S * 3/2010 Claessens et al. D24/130
D613,861 S * 4/2010 Hunter et al. D24/130
D627,459 S * 11/2010 Uchida et al. D24/130

(Continued)

OTHER PUBLICATIONS

Taiwanese Notice of Allowance, Application No. 101300420, mailed
Dec. 20, 2012.

Primary Examiner — David Muller

(74) *Attorney, Agent, or Firm* — Leydig, Voit & Mayer, Ltd.

(57) **CLAIM**

The ornamental design for an applicator device, as shown and
described.

DESCRIPTION

FIG. 1 is a front view of a applicator device of the present
invention.

FIG. 2 is a rear view of the applicator device of FIG. 1.

FIG. 3 is a top plan view of the applicator device of FIG. 1.

FIG. 4 is a bottom view of the applicator device of FIG. 1.

FIG. 5 is a right side view of the applicator device of FIG. 1.

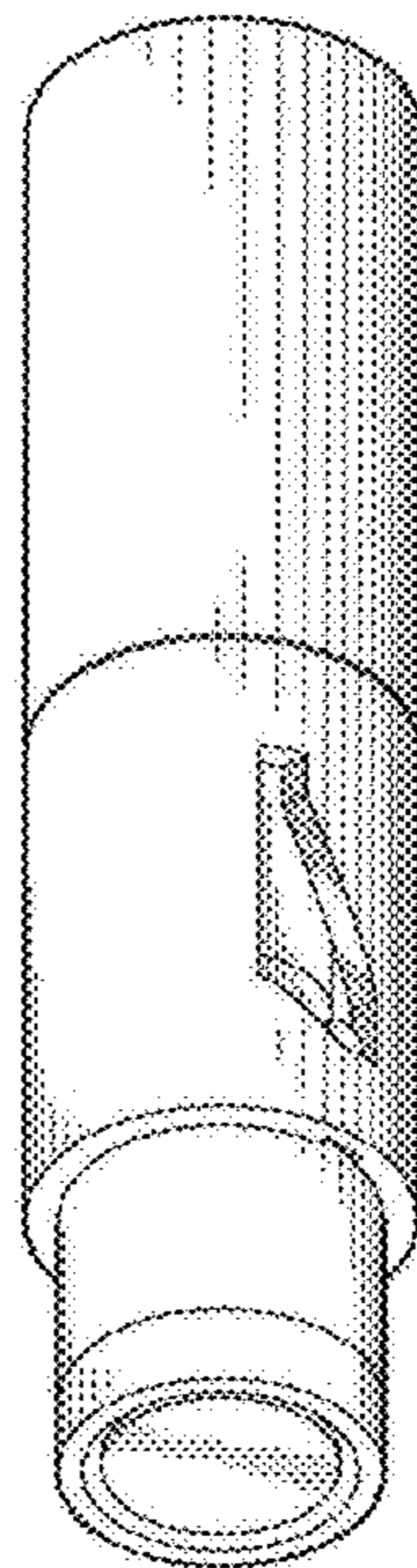
FIG. 6 is a left side view of the applicator device of FIG. 1.

FIG. 7 is a perspective view from below of the applicator
device of FIG. 1.

FIG. 8 is a front view of the applicator device of FIG. 1 in use,
wherein the cap part of the device is pressed down, allowing,
for example, a transmission plate in the device to push down
on a microneedle array on a subject's skin, allowing needles
in the array to penetrate the skin; and,

FIG. 9 is a perspective view from below of the application
device of FIG. 1, from the opposite side shown in FIG. 7.

1 Claim, 9 Drawing Sheets



US D687,143 S

Page 2

U.S. PATENT DOCUMENTS			
D641,469	S	7/2011	Ruiz, Sr. et al.
D655,001	S *	2/2012	Becker et al. D24/130
8,308,697	B2 *	11/2012	Stamp et al. 604/198
2007/0265568	A1 *	11/2007	Tsals et al. 604/136
2008/0215001	A1 *	9/2008	Cowe 604/110
2008/0269690	A1 *	10/2008	Felix-Faure 604/192
2009/0227950	A1 *	9/2009	Jensen et al. 604/110
2009/0312717	A1 *	12/2009	Christiansen 604/232

* cited by examiner

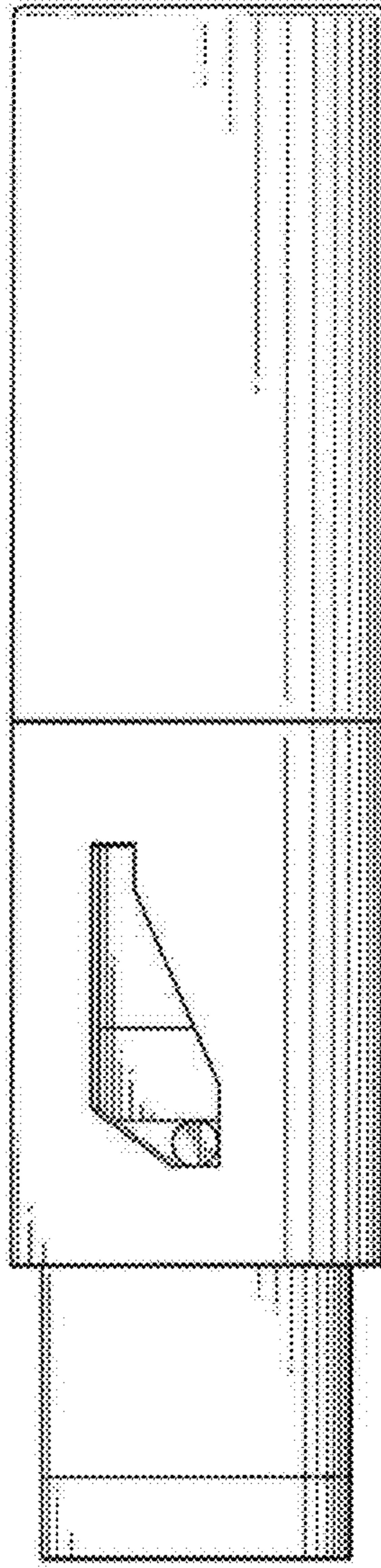


FIG. 1

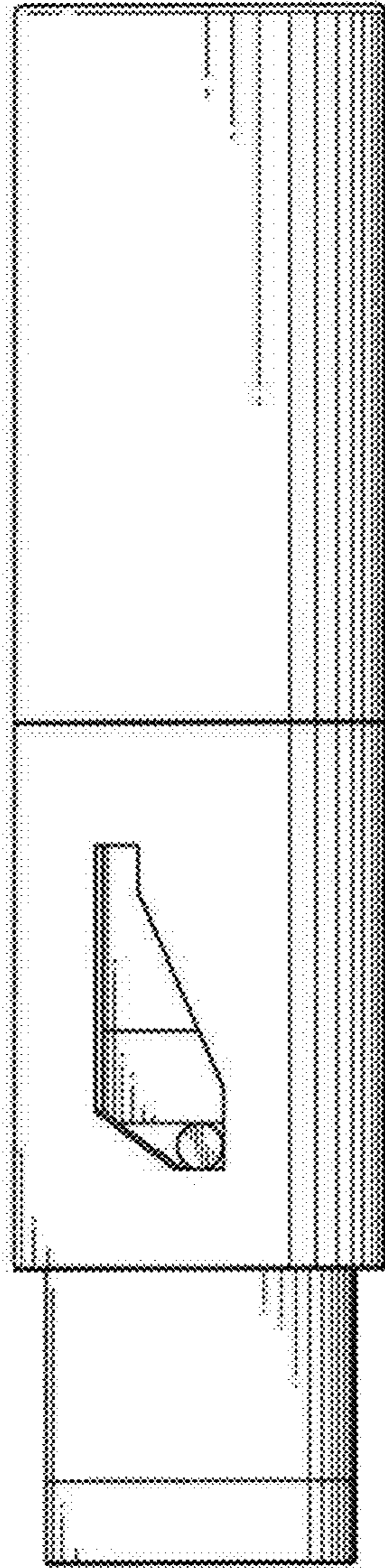


FIG. 2

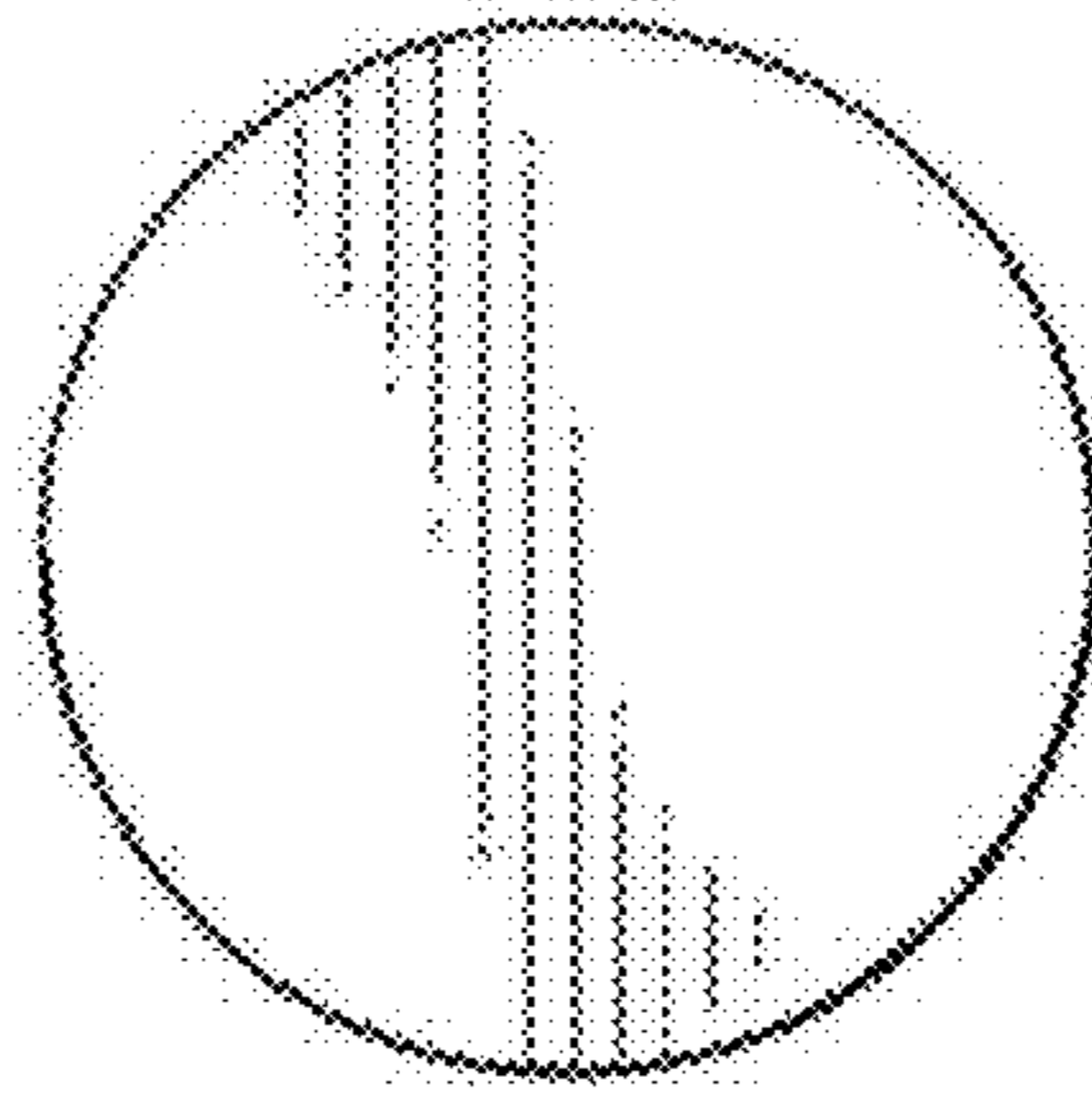


FIG. 3

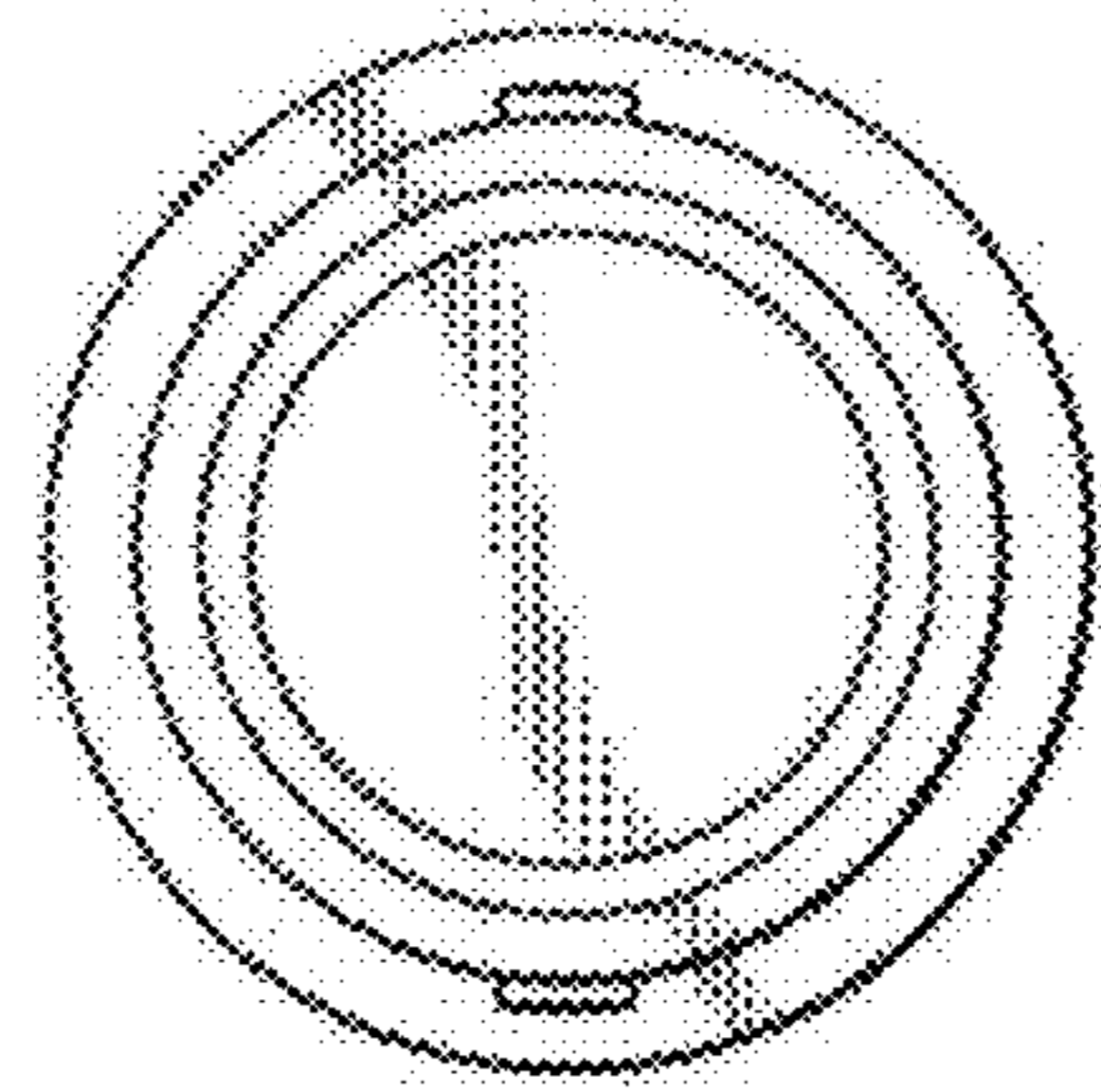


FIG. 4

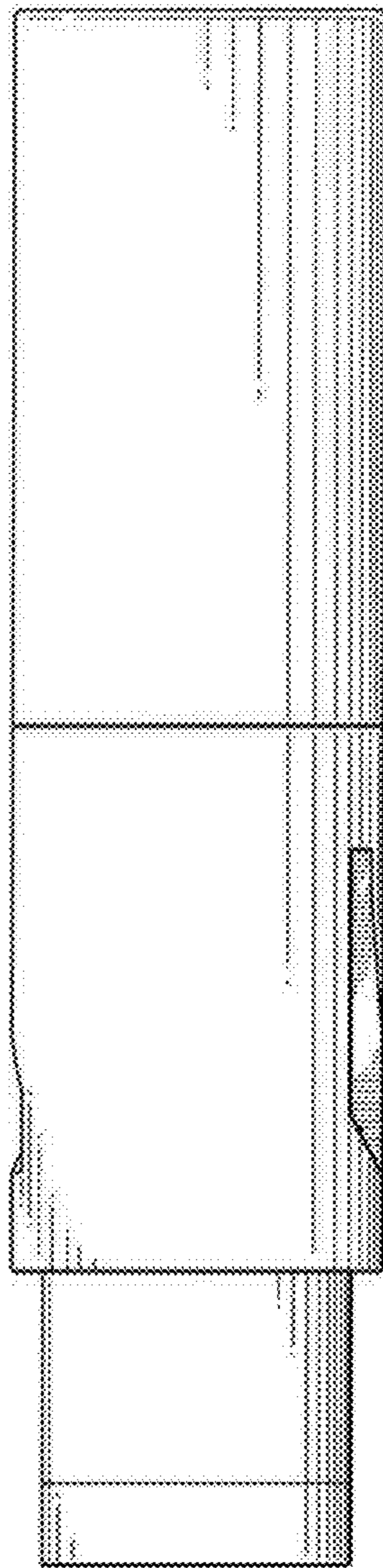


FIG. 5

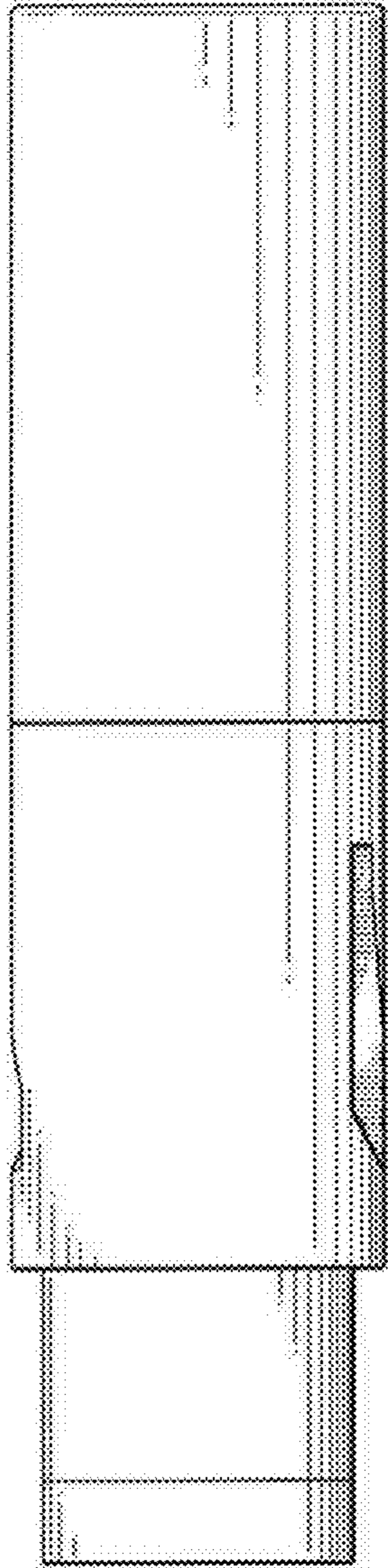


FIG. 6

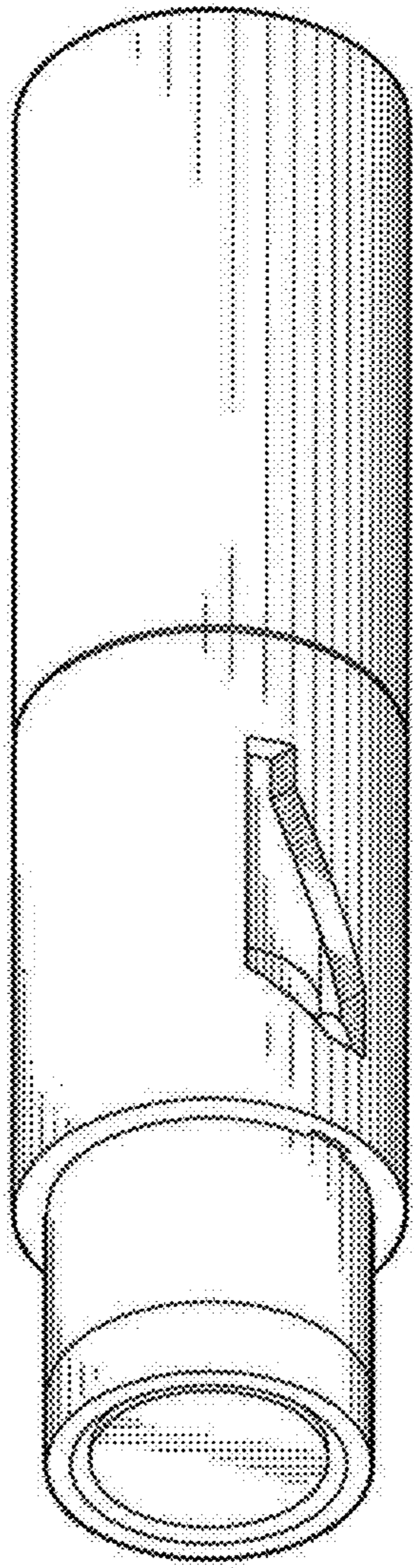


FIG. 7

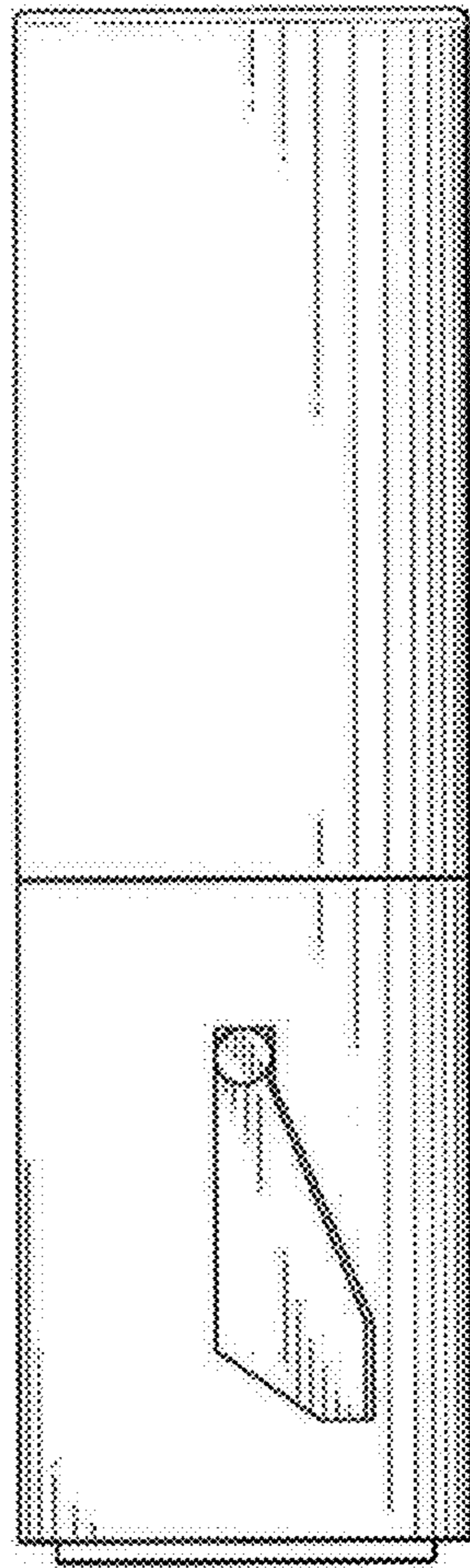


FIG. 8

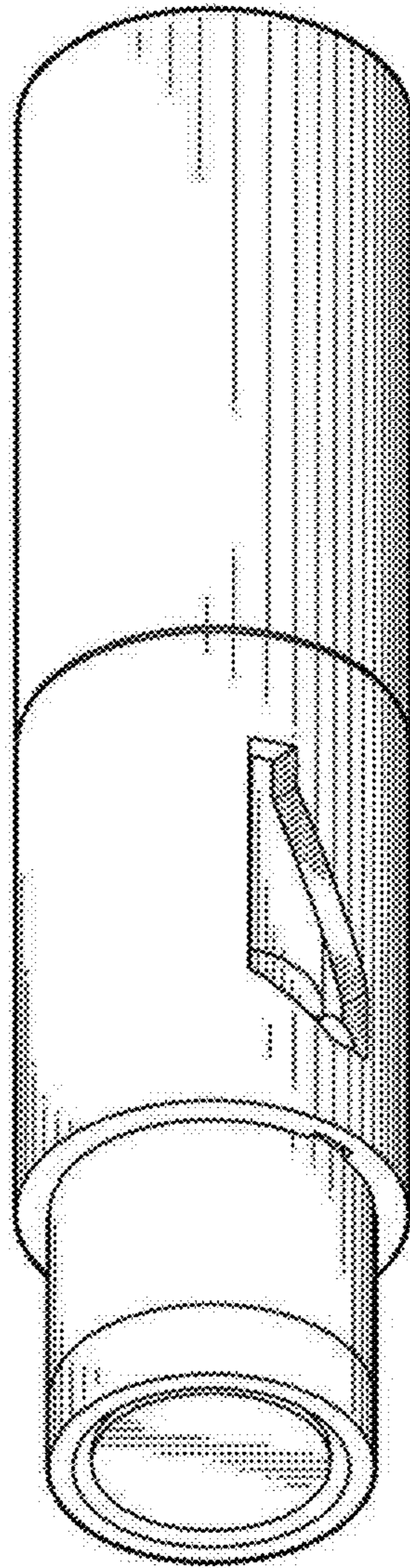


FIG. 9