



US00D687139S

(12) **United States Design Patent**  
**Mims**

(10) **Patent No.:** **US D687,139 S**  
(45) **Date of Patent:** **\*\* Jul. 30, 2013**

(54) **GREASE CONTAINMENT APPARATUS**

6,010,558 A 1/2000 Ackland  
6,143,047 A 11/2000 Jodoin et al.  
D452,906 S \* 1/2002 Peng ..... D23/370

(75) Inventor: **Shawn William Boland Mims**, Raleigh, NC (US)

(Continued)

(73) Assignee: **DunnWell, LLC**, Durham, NC (US)

**OTHER PUBLICATIONS**

(\*\*) Term: **14 Years**

Unknown, Photograph and description of grease containment system with single sump (pictured at lower center) attached to base of roof-top grease exhauster fan, Nov. 2008, p. 1.

(21) Appl. No.: **29/390,954**

(Continued)

(22) Filed: **Apr. 30, 2011**

(51) **LOC (9) Cl.** ..... **23-04**

*Primary Examiner* — Garth Rademaker

(52) **U.S. Cl.**

(74) *Attorney, Agent, or Firm* — Vincent K. Gustafson; Jenkins, Wilson, Taylor & Hunt, P.A.

USPC ..... **D23/386**

(58) **Field of Classification Search**

(57) **CLAIM**

USPC .. D13/179; D23/370–394, 411–414; D26/51, D26/59, 72, 81–86; 34/169; 52/302.1, 302.7; 55/DIG. 36; 123/41.7; 126/58, 60, 61, 64–66, 126/84, 299 D–299 F, 299 R, 300, 301, 312, 126/531; 138/118, 121, 172, 173, 177; 165/54, 165/59; 285/133.6; 392/364; 415/126, 127, 415/213.1, 214.1; 416/5, 204 R, 210 R, 234, 416/237, 244 R, 247 R; 454/41, 42, 233, 454/236, 250–253, 275–277, 284, 309, 367, 454/368

The ornamental design for a grease containment apparatus, as shown and described.

See application file for complete search history.

**DESCRIPTION**

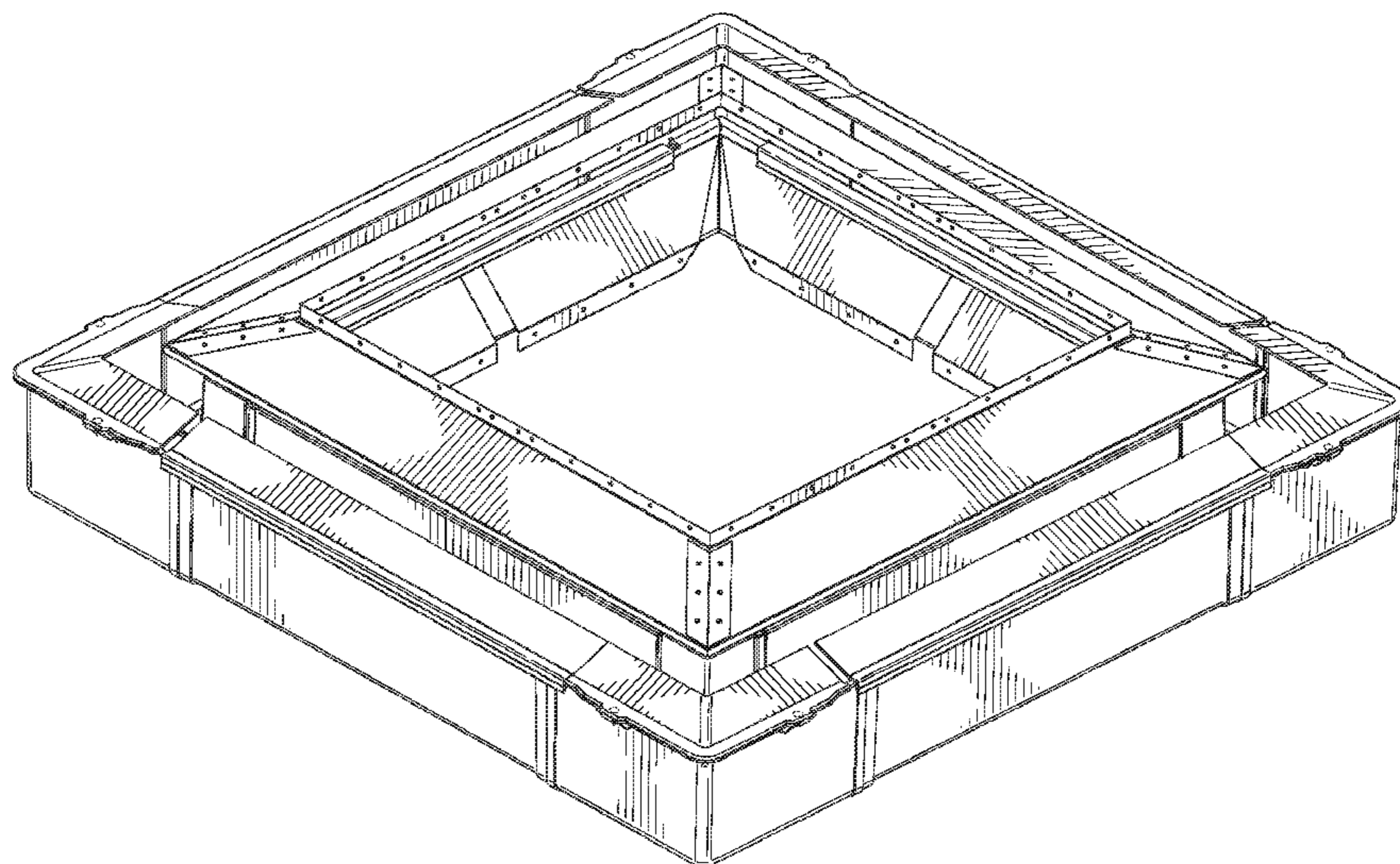
(56) **References Cited**

**U.S. PATENT DOCUMENTS**

D35,342 S *	11/1901	Boeck .....	D23/386
3,520,093 A *	7/1970	Painter .....	454/356
D233,604 S *	11/1974	Weber et al. ....	D23/370
4,113,617 A	9/1978	Bereskin et al.	
4,635,617 A	1/1987	Simonsen	
4,869,236 A	9/1989	Blough	
4,887,588 A	12/1989	Rial	
5,196,040 A	3/1993	Malloy et al.	
5,318,607 A	6/1994	Malloy et al.	
5,512,073 A	4/1996	Mirza et al.	
5,540,744 A	7/1996	Renna	
5,567,216 A	10/1996	Mirza et al.	

FIG. 1 is a perspective view of a grease containment apparatus according to my new design;  
FIG. 2 is a top plan view of the grease containment apparatus;  
FIG. 3 is a bottom plan view of the grease containment apparatus;  
FIG. 4 is a front elevation view of the grease containment apparatus;  
FIG. 5 is a right side elevation view of the grease containment apparatus; and,  
FIG. 6 is a perspective view of the grease containment apparatus, shown mounted to a roof-mounted exhauster fan assembly.  
The rear elevation view of the grease containment apparatus is identical to the front elevation view.  
The left side elevation view of the grease containment apparatus is identical to the right side elevation view.  
The broken lines depict environmental subject matter only and form no part of the claimed design.

**1 Claim, 5 Drawing Sheets**



# US D687,139 S

Page 2

---

## U.S. PATENT DOCUMENTS

6,391,074	B1	5/2002	McCrary	
6,468,323	B1	10/2002	Chwala	
6,648,937	B1	11/2003	Nguyen et al.	
6,676,723	B2	1/2004	Chwala	
6,716,099	B2	4/2004	Pfleiderer et al.	
6,814,769	B1	11/2004	Stefanucci	
7,037,359	B1	5/2006	McCauley	
7,244,283	B2	7/2007	Mirza	
7,332,004	B2	2/2008	Jackson	
2004/0040219	A1*	3/2004	Bacik et al.	52/11
2009/0114094	A1	5/2009	Clapp et al.	
2010/0199618	A1*	8/2010	Tomkiewicz	55/421

## OTHER PUBLICATIONS

Facilitec Corporation; "Rooftop Grease Containment Products" website webpage, accessible at <http://www.facilitec-se.com/rooftop/how-it-works.aspx>, accessed on Jun. 2, 2009.

Facilitec Corporation, "Rooftop Grease Containment Products—Installation and Maintenance" website webpage, accessible at <http://www.facilitec-east.com/rooftop/installation-and-maintenance.aspx>, accessed on Mar. 18, 2011.

Co-pending U.S. Appl. No. 12/772,092, filed Apr. 30, 2010.

\* cited by examiner

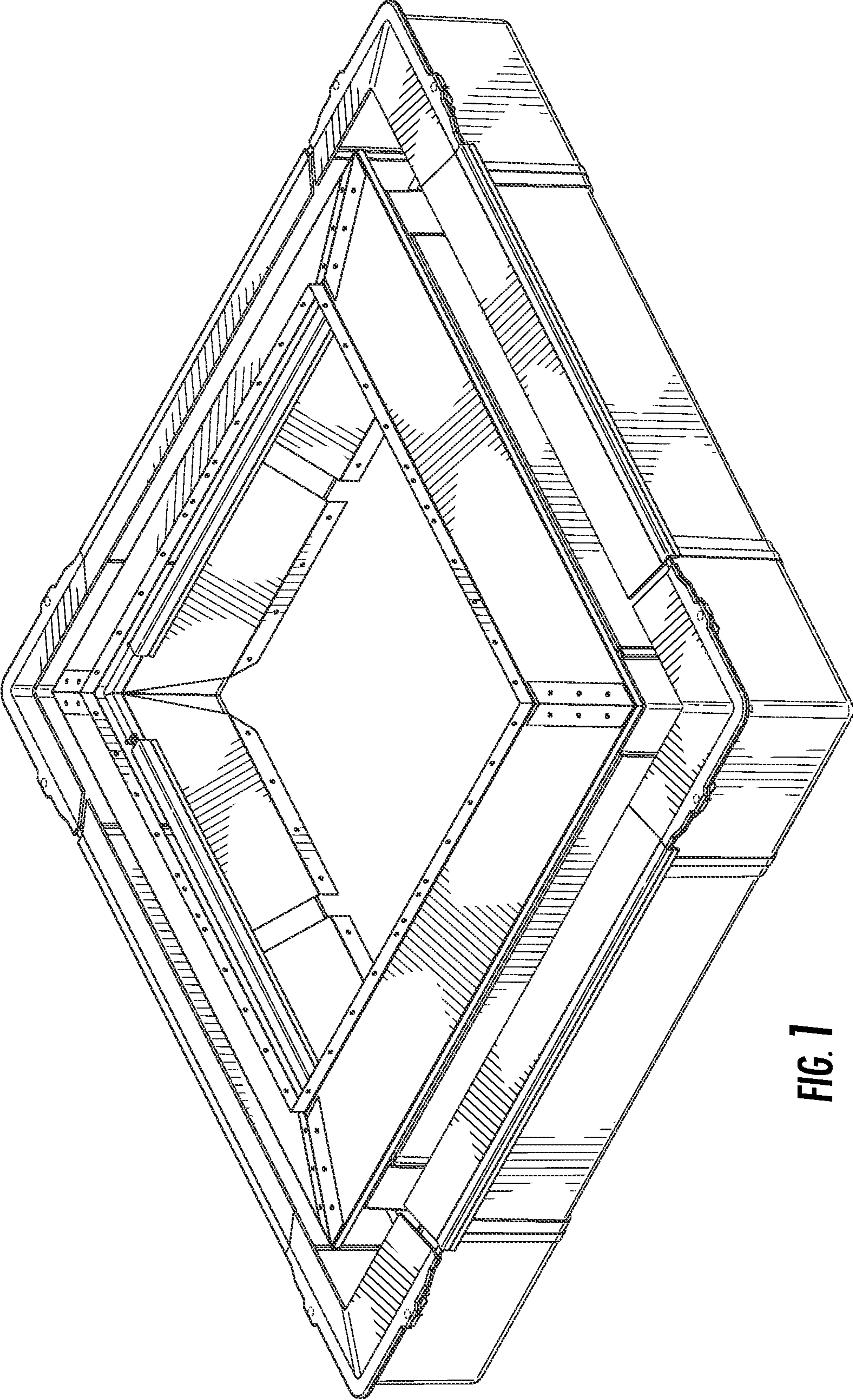


FIG. 1

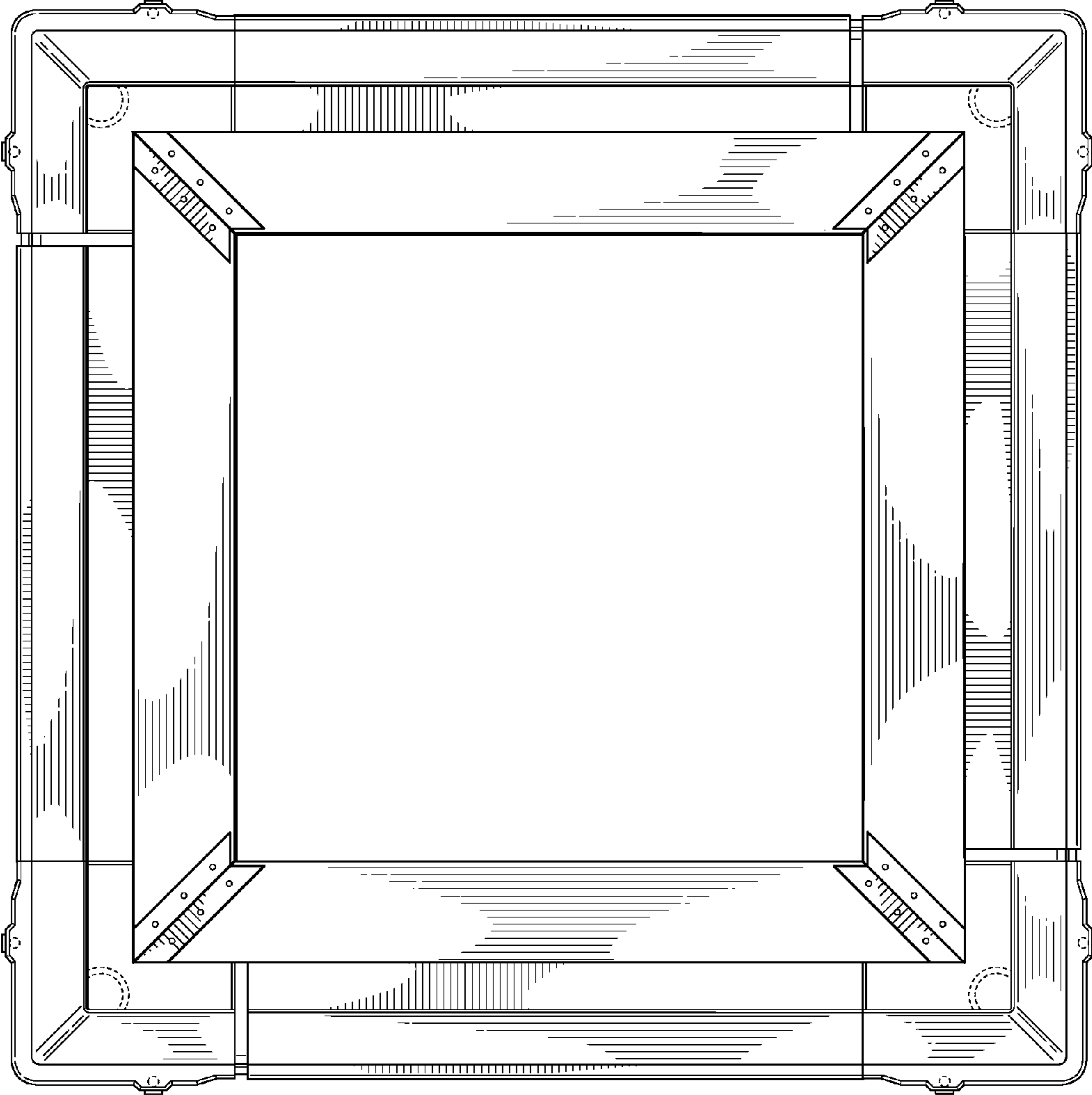


FIG. 2

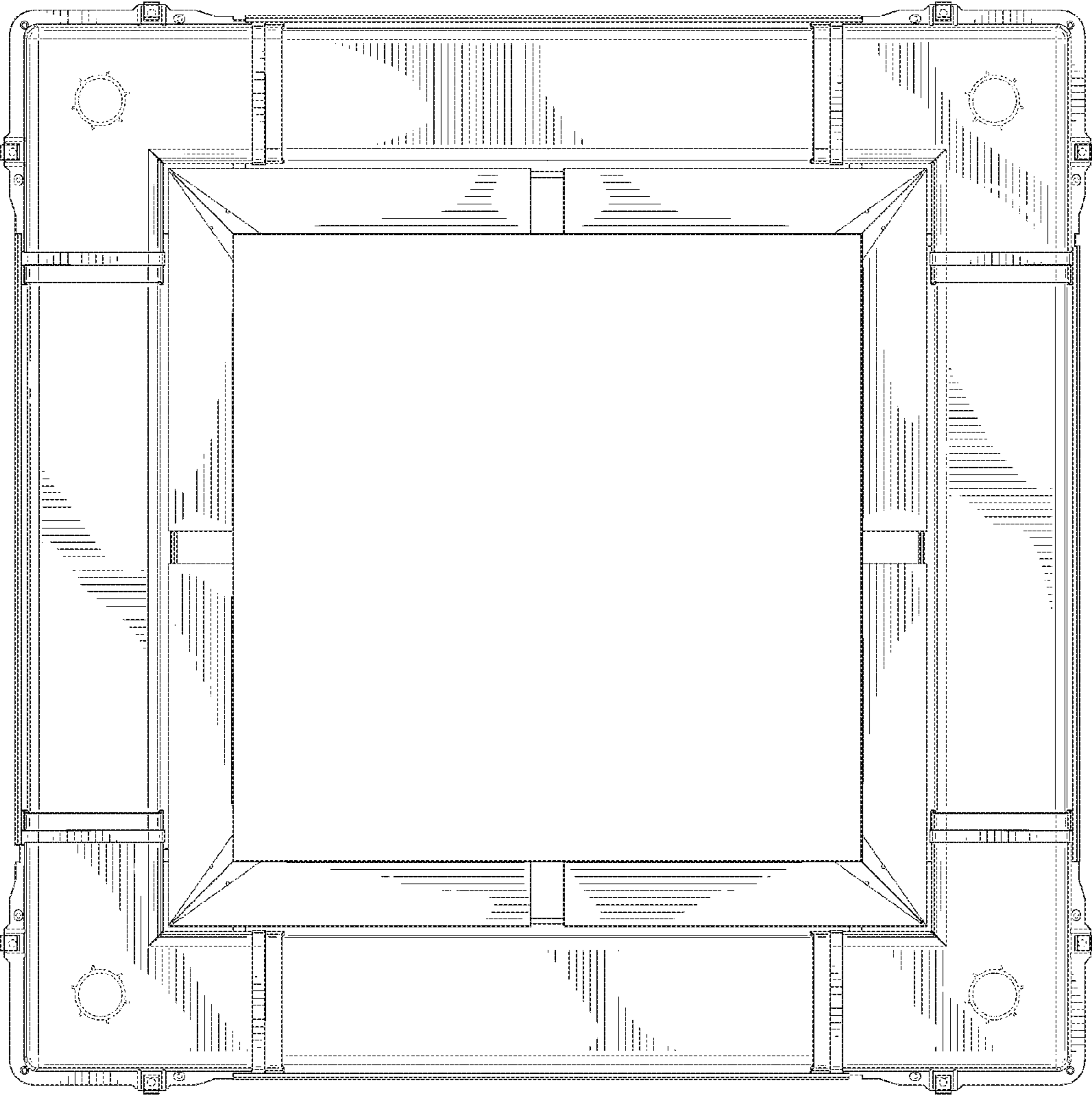


FIG. 3

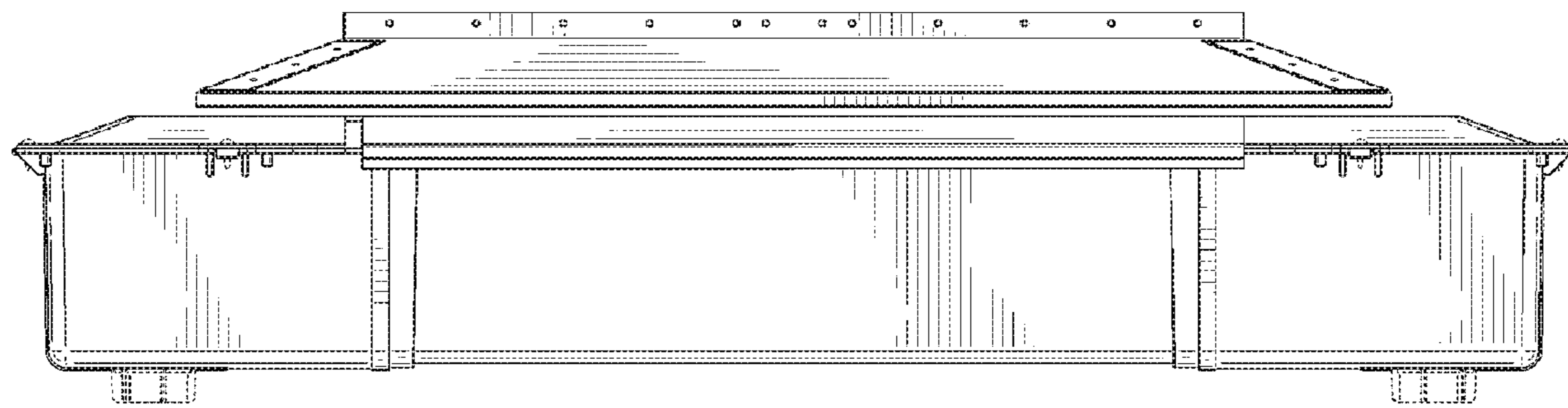


FIG. 4

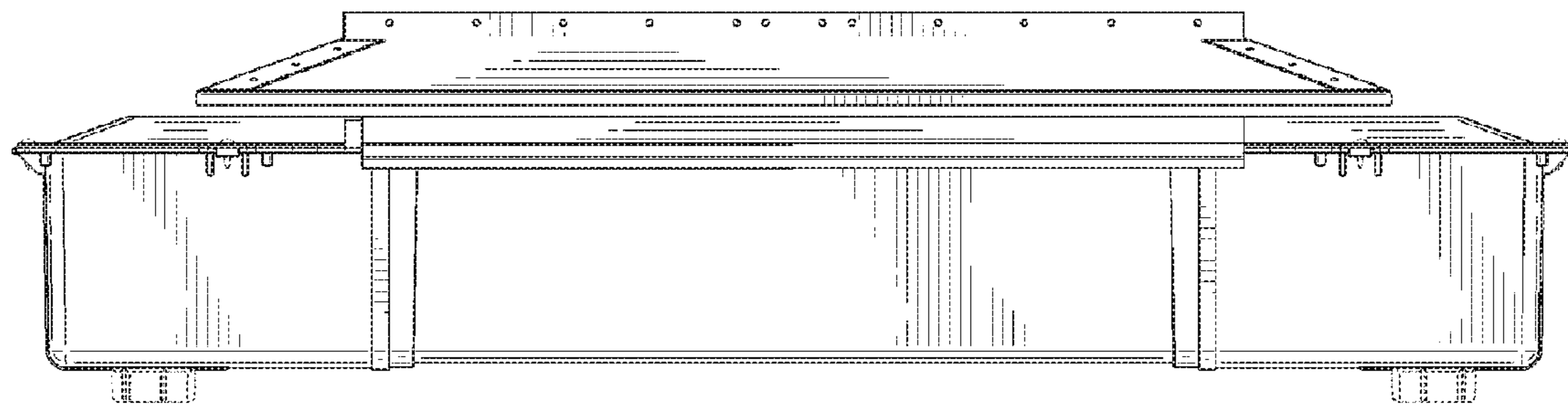
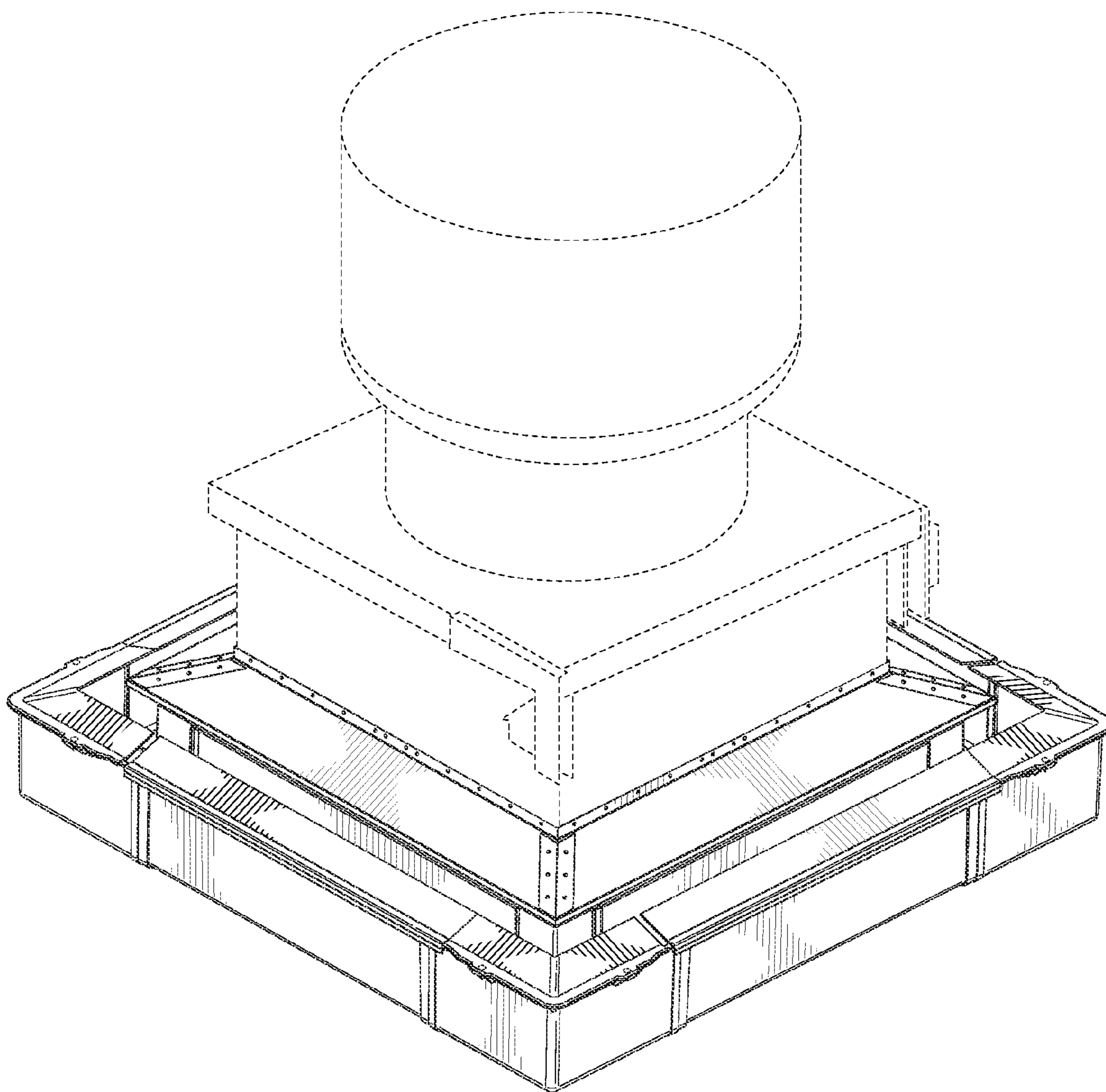


FIG. 5



**FIG. 6**