



US00D687137S

(12) **United States Design Patent**
Nemes

(10) **Patent No.:** **US D687,137 S**
(45) **Date of Patent:** **** Jul. 30, 2013**

(54) **HEATER BLOWER**

(75) Inventor: **Tyler Nemes**, Delray Beach, FL (US)

(73) Assignee: **Twin-Star International, Inc.**, Delray Beach, FL (US)

(**) Term: **14 Years**

(21) Appl. No.: **29/424,131**

(22) Filed: **Jun. 7, 2012**

(51) **LOC (9) Cl.** **23-03**

(52) **U.S. Cl.**
USPC **D23/332**

(58) **Field of Classification Search**
USPC D23/314, 332, 335-350, 378, 370,
D23/381, 354, 351, 386, 333, 328, 353, 361,
D23/385, 417, 357; 392/365, 367, 424, 383,
392/411, 360, 369, 373-376; 126/183, 110 B,
126/91 A, 92 A, 500, 544, 547; 431/125
See application file for complete search history.

(56) **References Cited**

U.S. PATENT DOCUMENTS

D340,765 S *	10/1993	Joss et al.	D23/336
D347,683 S *	6/1994	Chiu et al.	D23/336
D660,946 S *	5/2012	Sengoku et al.	D23/332

* cited by examiner

Primary Examiner — T. Chase Nelson

Assistant Examiner — Ania Aman

(74) *Attorney, Agent, or Firm* — Johnson & Martin, P.A.;
James David Johnson

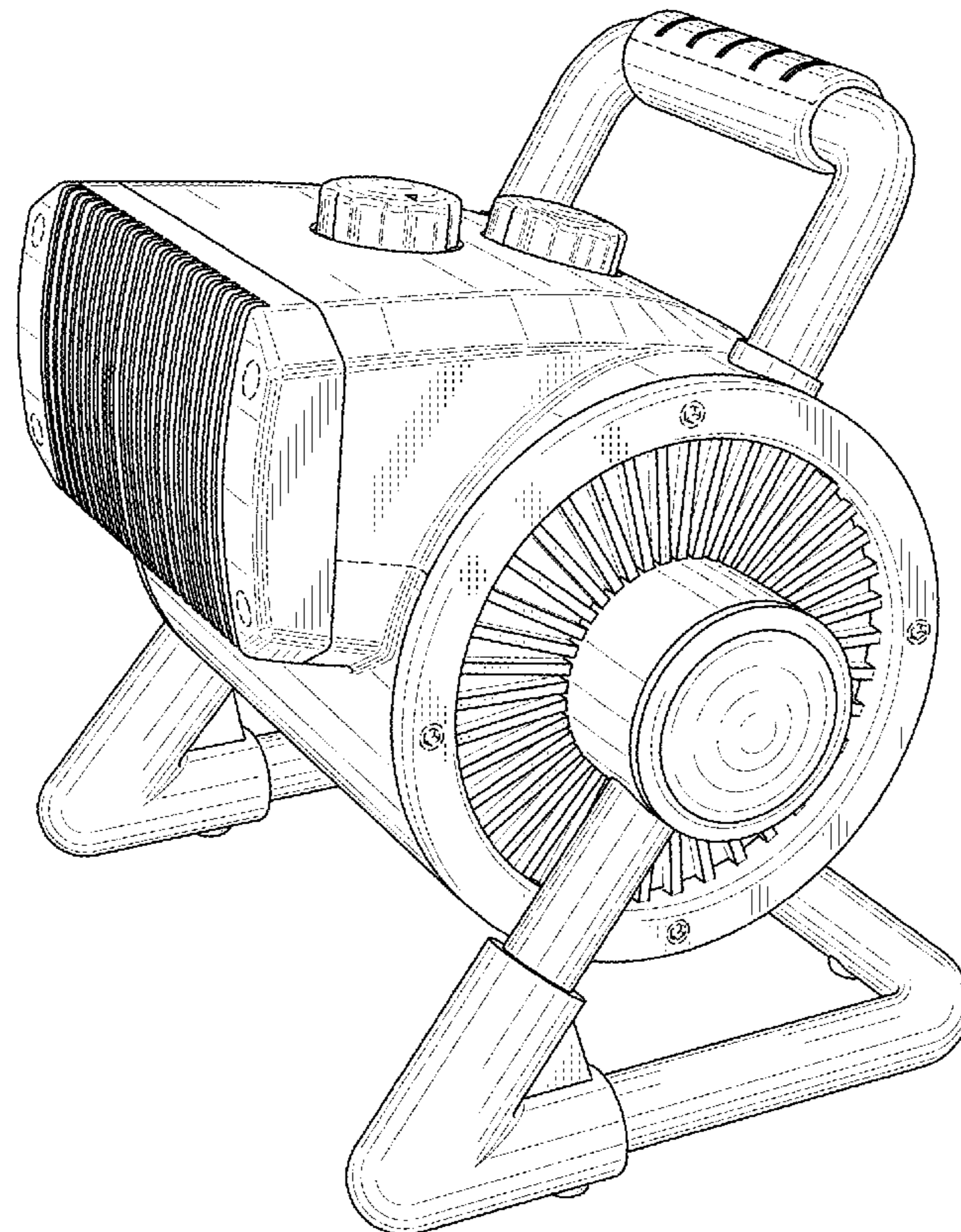
(57) **CLAIM**

The ornamental designs for a heater blower, as shown and described.

DESCRIPTION

FIG. 1 is a perspective view of an ornamental design for a heater blower.
FIG. 2 is a front elevation view of the heater blower of FIG. 1.
FIG. 3 is a rear elevation view of the heater blower of FIG. 1.
FIG. 4 is a left side elevation view of the heater blower of FIG. 1.
FIG. 5 is a right side elevation view of the heater blower of FIG. 1.
FIG. 6 is a top plan view of the heater blower of FIG. 1; and,
FIG. 7 is a bottom plan view of the heater blower of FIG. 1.
The broken line illustrations of screw inserts and vents are shown for the purpose of illustrating optional structure of the article and forms no part of the claimed design.

1 Claim, 7 Drawing Sheets



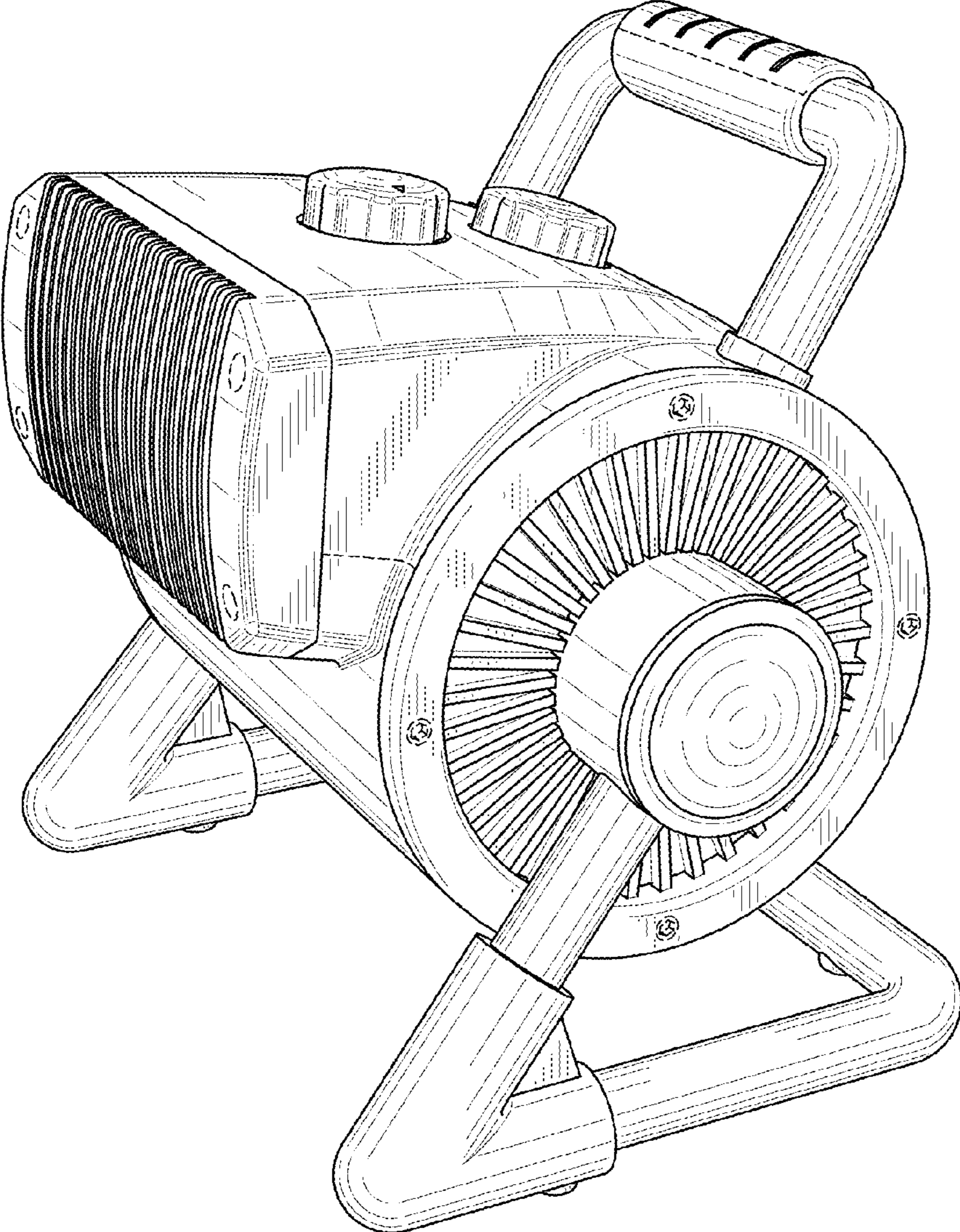


FIG. 1

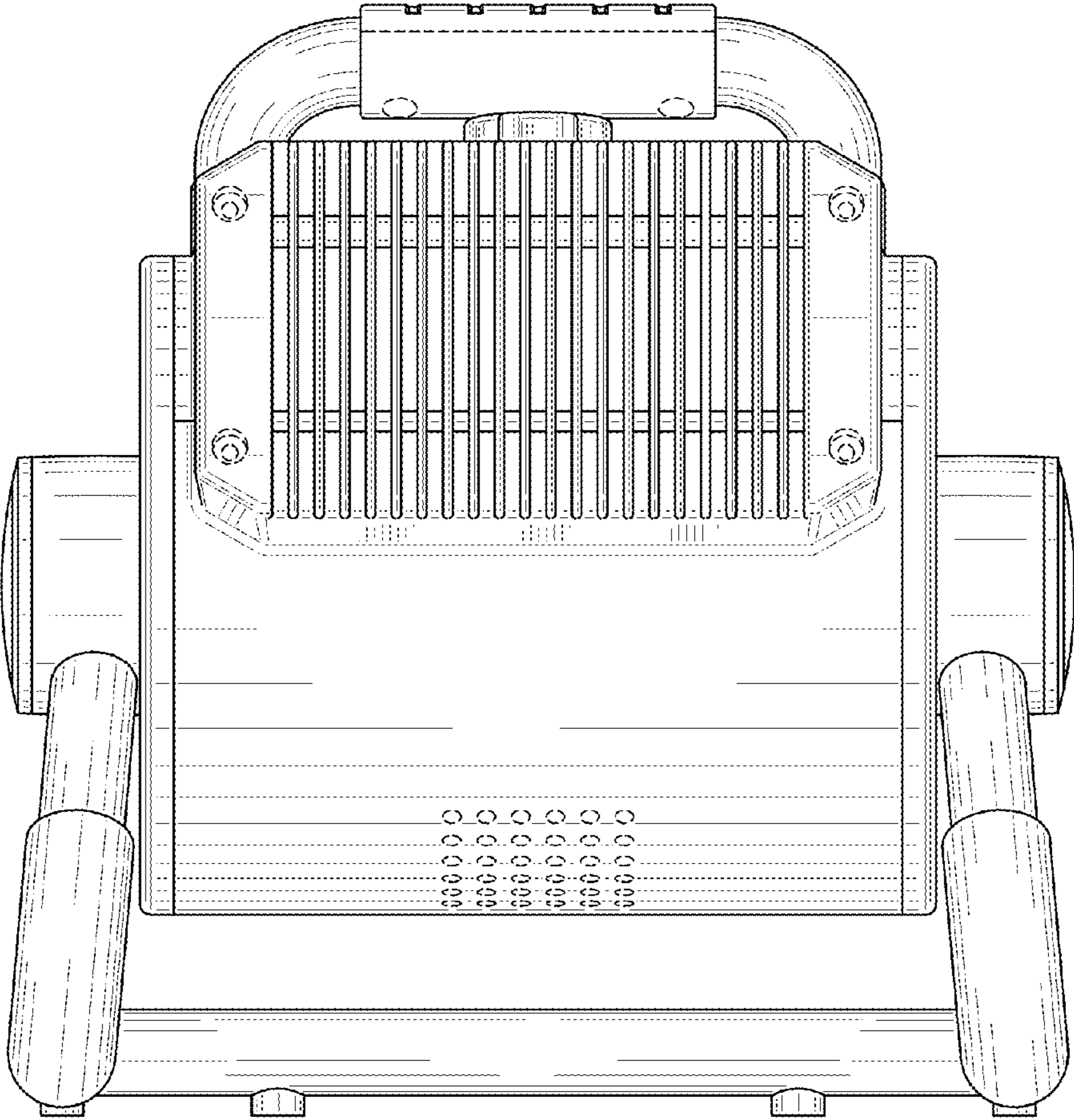


FIG. 2

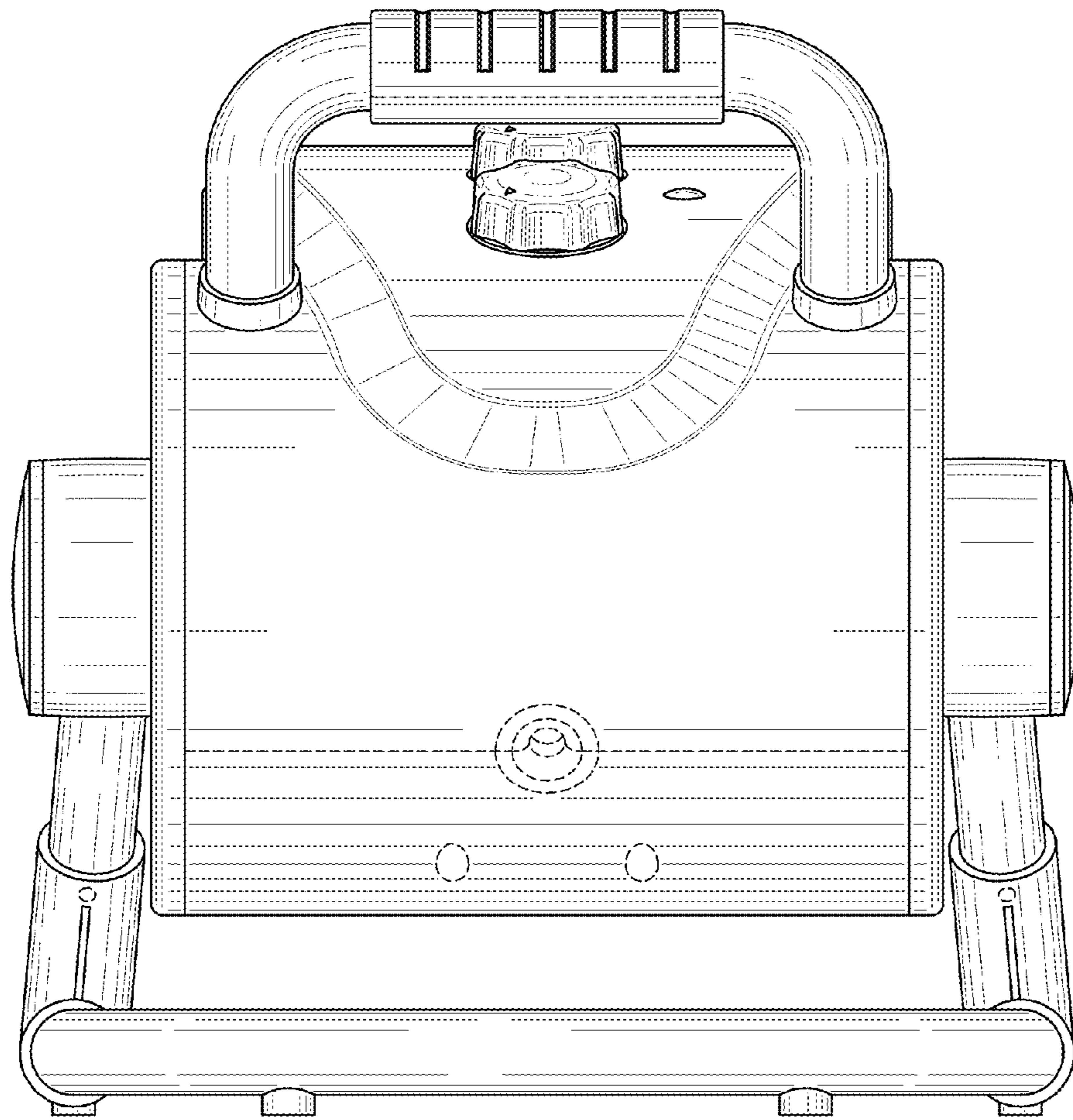


FIG. 3

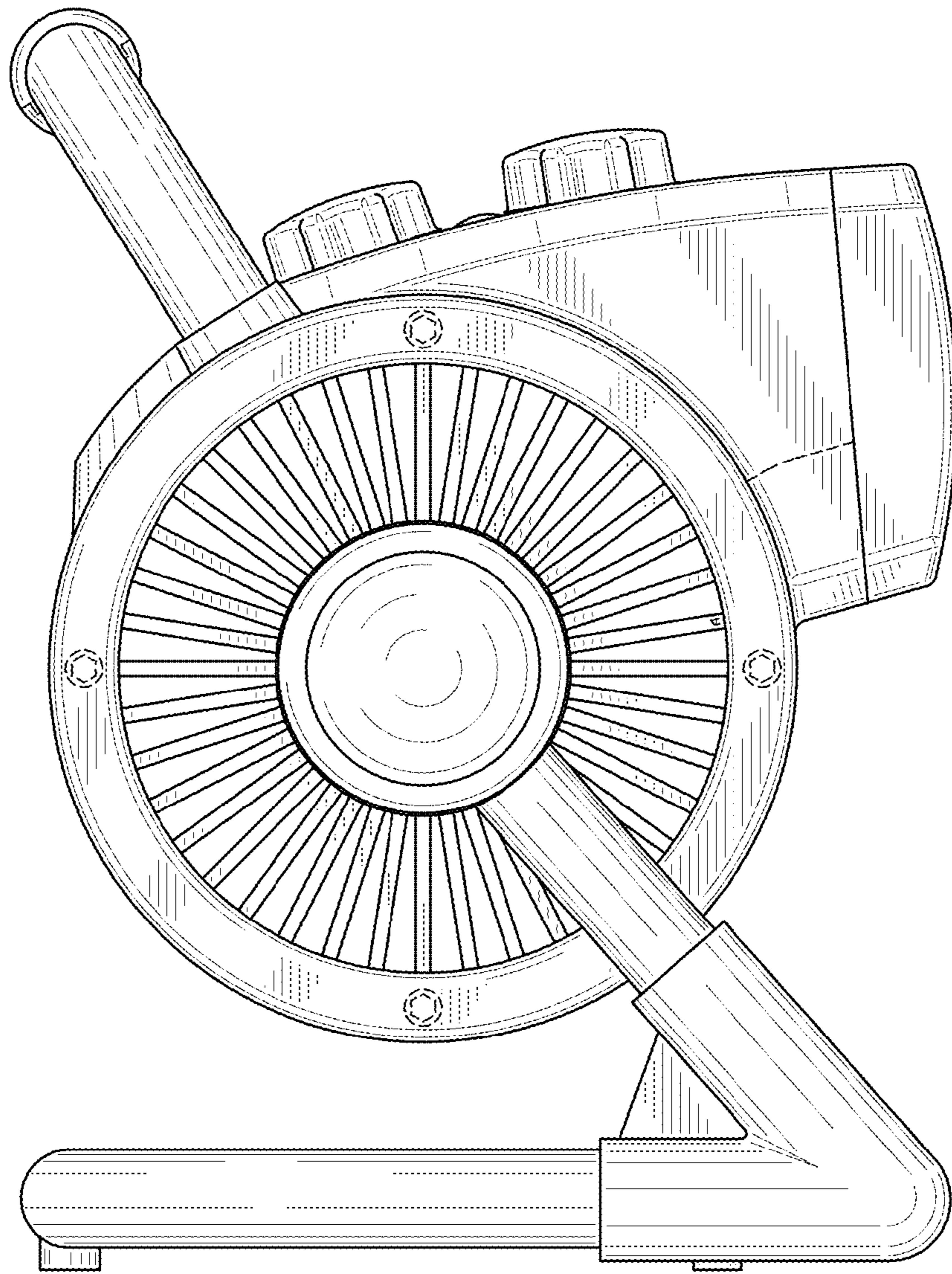


FIG. 4

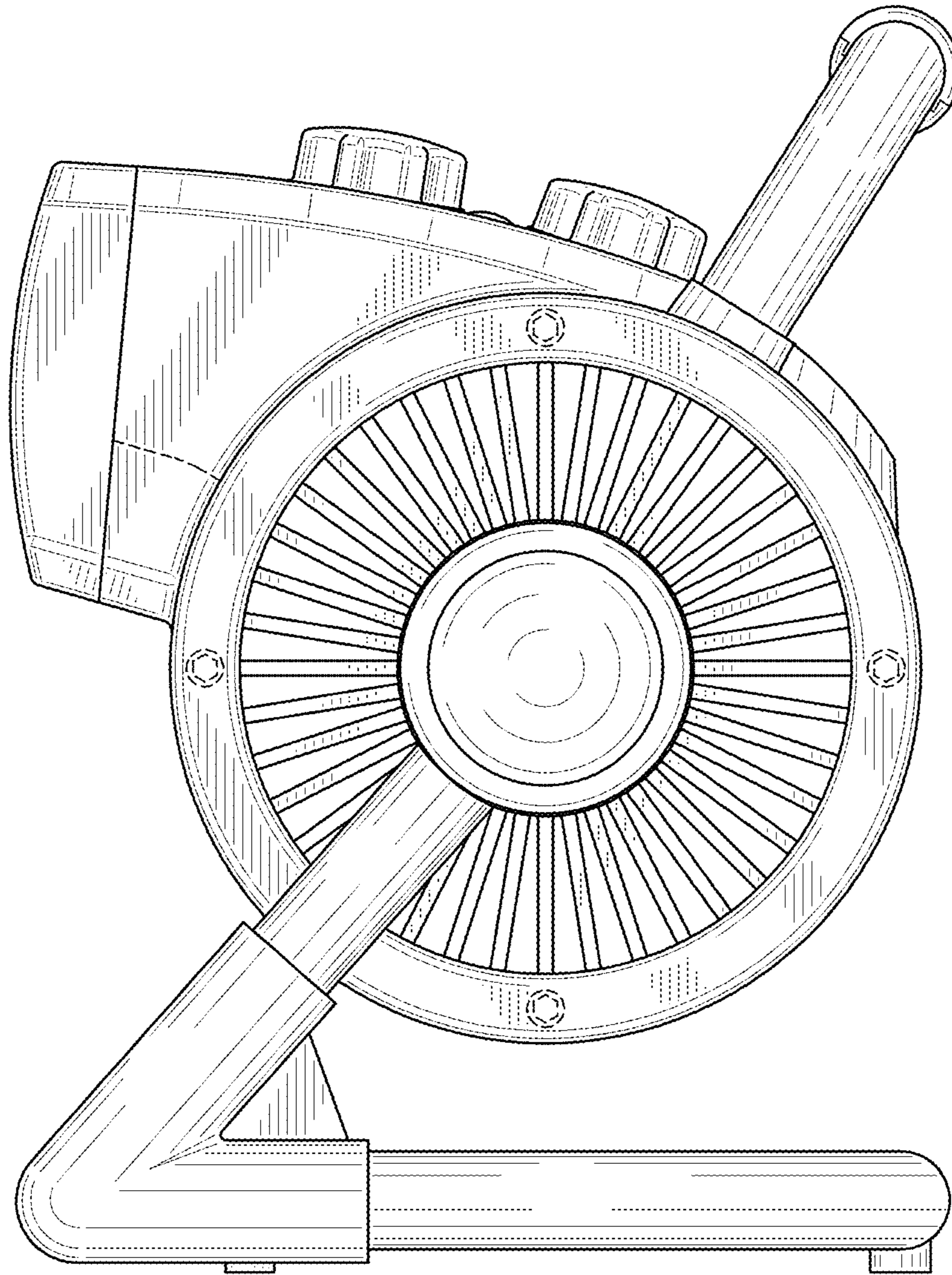


FIG. 5

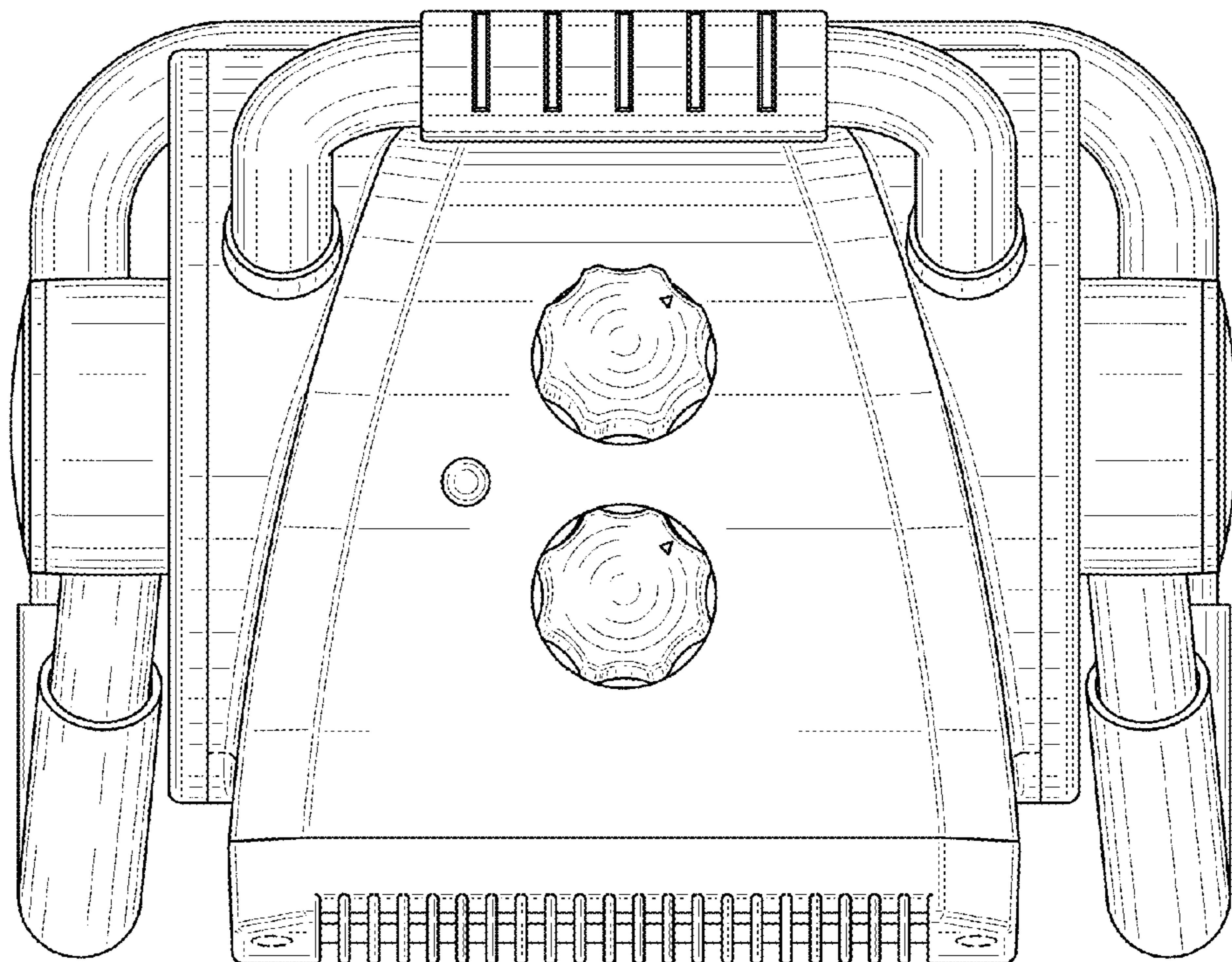


FIG. 6

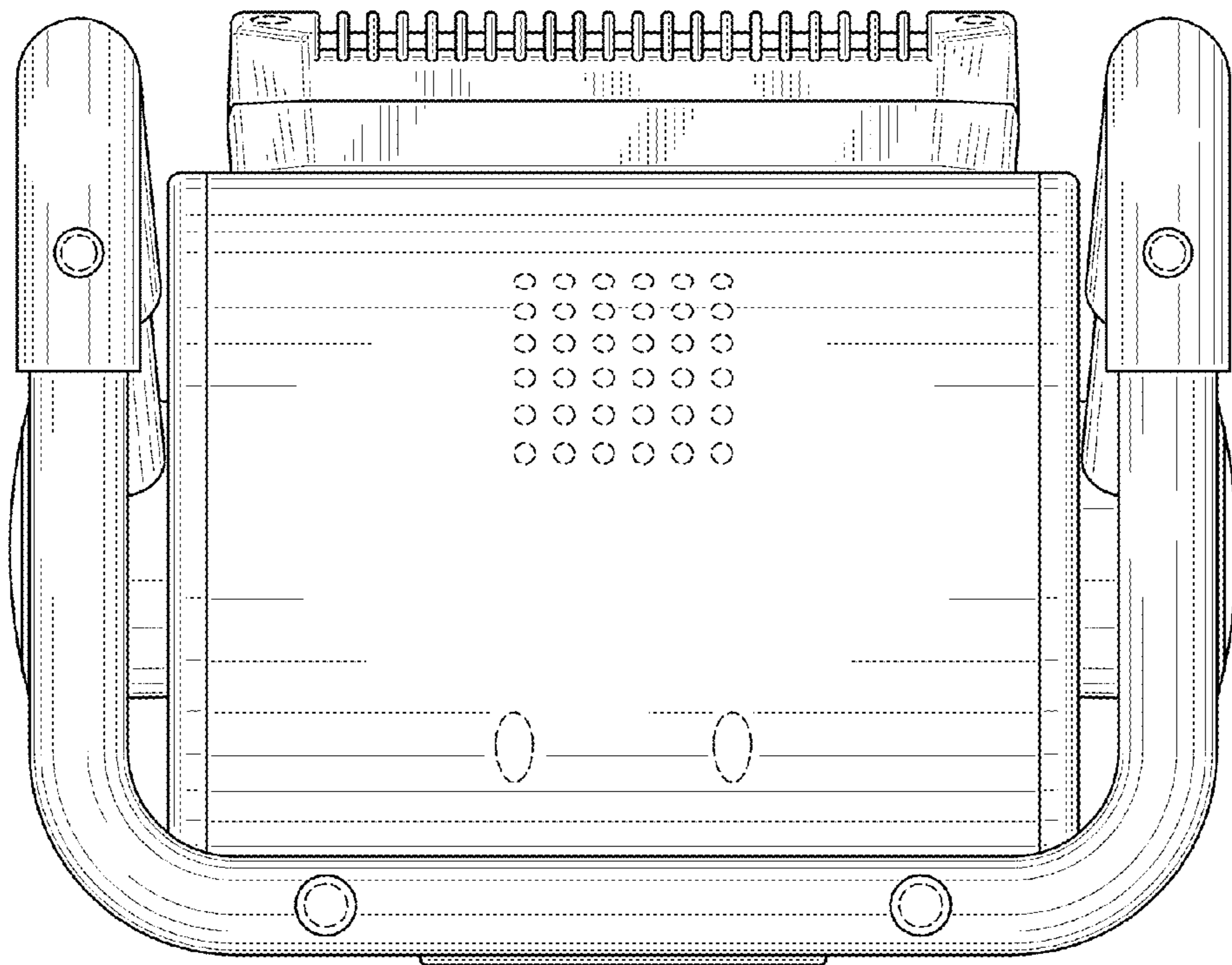


FIG. 7