



US00D687135S

(12) **United States Design Patent**
Kampf et al.

(10) **Patent No.:** **US D687,135 S**
(45) **Date of Patent:** **** Jul. 30, 2013**

(54) **COVER FOR A TRANSPORT TEMPERATURE CONTROL UNIT**

(75) Inventors: **Thomas W. Kampf**, Hopkins, MN (US); **Douglas E. Lenz**, Prior Lake, MN (US); **Fusu Thao**, St. Paul, MN (US); **David A. Schmitz**, Houlton, WI (US); **Tye S. Sonney**, Lakeville, MN (US); **Thomas C. McCartney**, Eagan, MN (US)

(73) Assignee: **Thermo King Corporation**, Minneapolis, MN (US)

(**) Term: **14 Years**

(21) Appl. No.: **29/418,909**

(22) Filed: **Apr. 23, 2012**

(51) **LOC (9) Cl.** **12-16**

(52) **U.S. Cl.**
USPC **D23/324**

(58) **Field of Classification Search**
USPC ... D23/325, 373, 324, 314, 351, 333; 62/239, 62/244, 61, 279; D15/79, 81, 89, 91
See application file for complete search history.

(56) **References Cited**

U.S. PATENT DOCUMENTS

D309,345 S	7/1990	Anderson et al.	
D343,894 S	2/1994	Anderson et al.	
5,927,090 A *	7/1999	Ladendorf et al.	62/239
D428,480 S	7/2000	Flanagan	
D437,396 S	2/2001	Flanagan	
D454,625 S	3/2002	Flanagan	
D558,098 S	12/2007	Giner	
D613,383 S *	4/2010	Crosnier et al.	D23/325
D619,151 S *	7/2010	Tsuji	D15/79
8,033,521 B2 *	10/2011	Khan et al.	248/672

OTHER PUBLICATIONS

Carrier, "X2 2100 Advance, Exceptional temperature control with a new dimension in performance," performance specifications (2011) 2 pages.

Carrier, "X2 2100 APX, Exceptional temperature control with a new dimension in performance," performance specifications (2011) 2 pages.

Carrier, "X2 2500 Advance, Extreme performance and exceptional temperature control has never looked so good," performance specifications (2011) 2 pages.

Carrier, "X2 2500 APX, Extreme performance and exceptional temperature control has never looked so good," performance specifications (2011) 2 pages.

* cited by examiner

Primary Examiner — T. Chase Nelson

Assistant Examiner — Ania Aman

(74) *Attorney, Agent, or Firm* — Michael Best & Friedrich LLP

(57) **CLAIM**

We claim the ornamental design for a cover for a transport temperature control unit, as shown and described.

DESCRIPTION

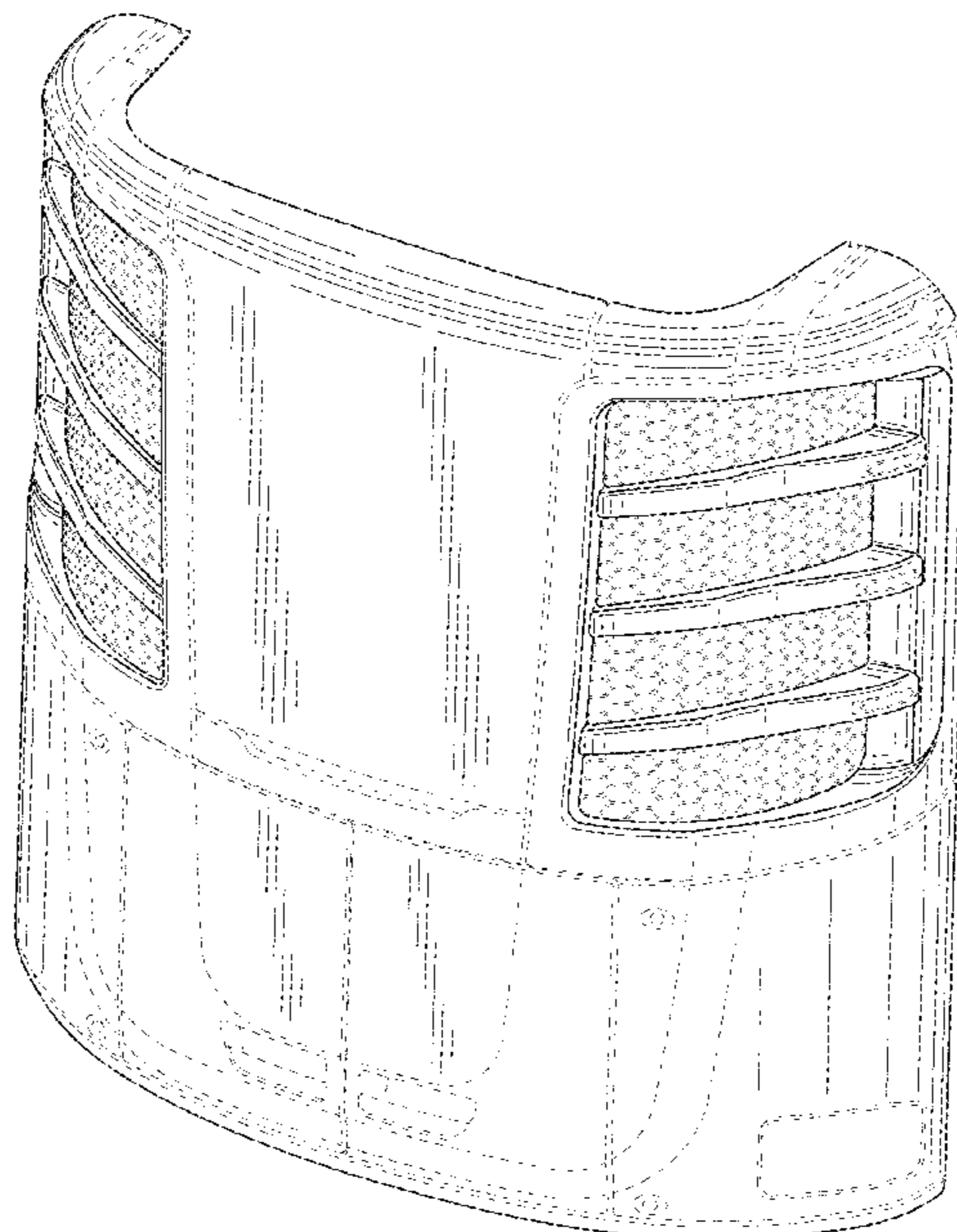
FIG. 1 is a top front perspective view of a cover for a transport temperature control unit embodying the invention.

FIG. 2 is a front view of the cover shown in FIG. 1.

FIG. 3 is a right side view of the cover shown in FIG. 1; and, FIG. 4 is a left side view of the cover shown in FIG. 1.

The portions of the cover shown in broken lines are included for the purpose of illustrating environment and form no part of the claimed design. The bottom is flat and devoid of surface ornamentation. The rear view of the cover is not visible during normal use and is therefore omitted.

1 Claim, 4 Drawing Sheets



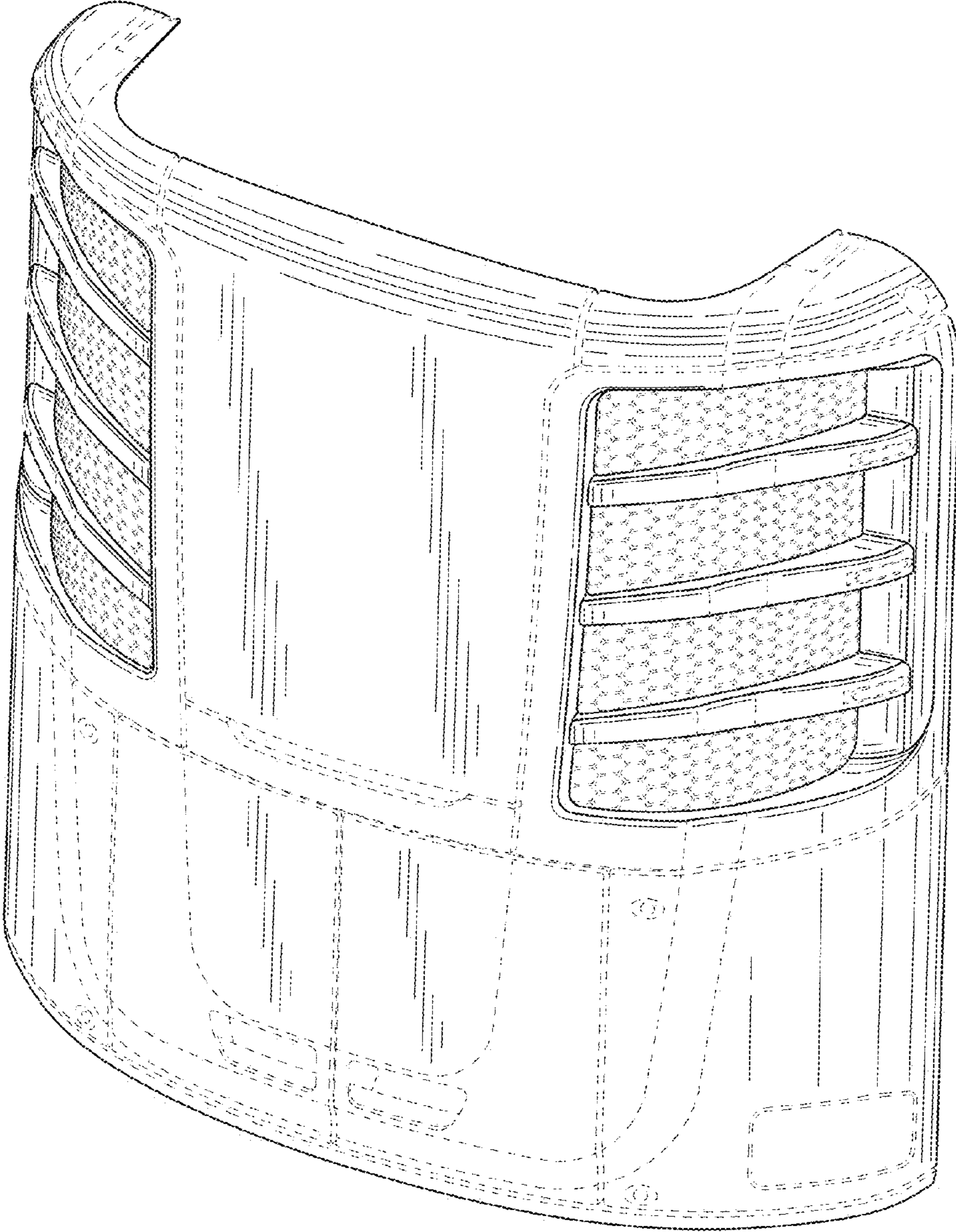


FIG. 1

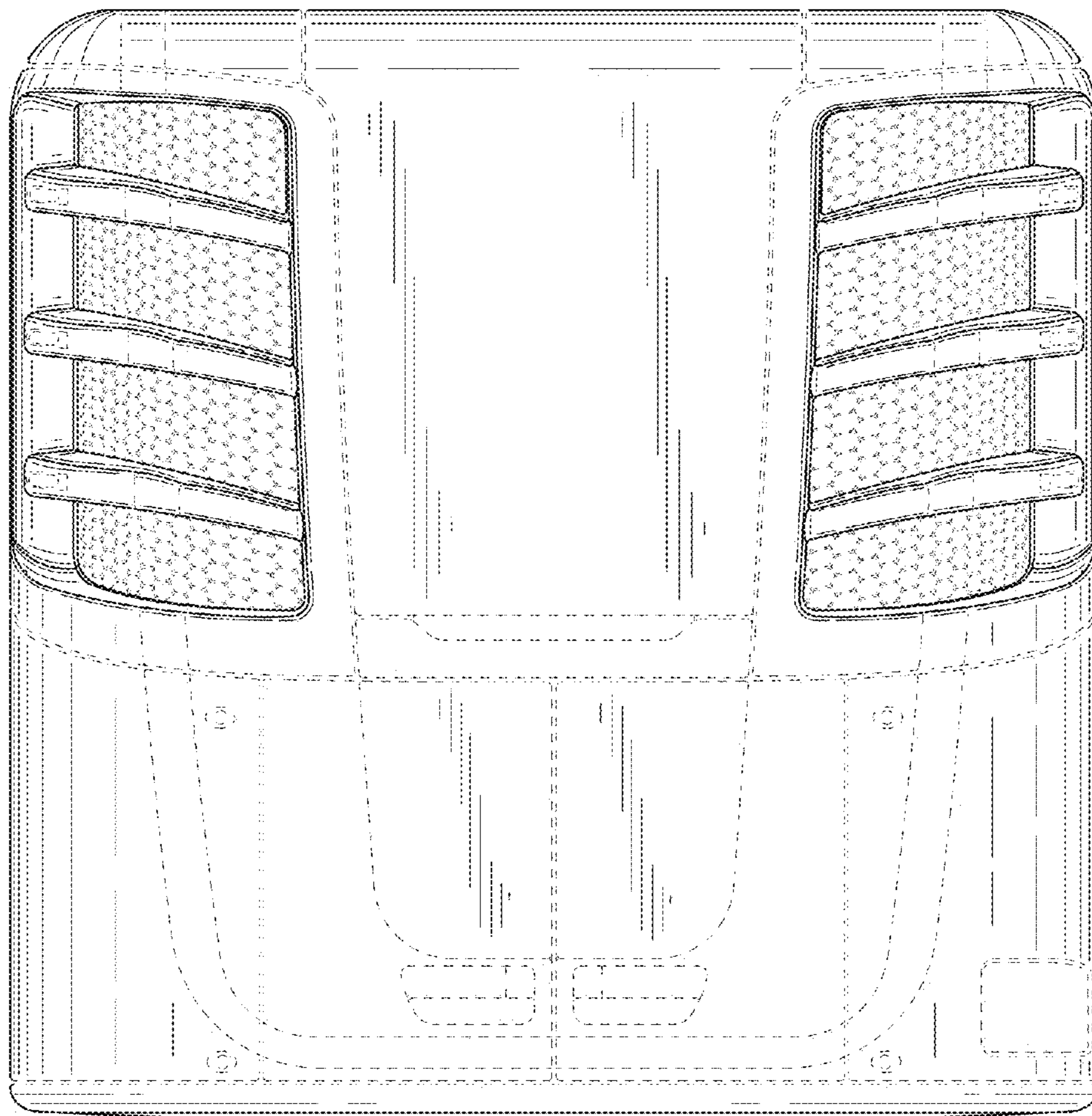


FIG. 2

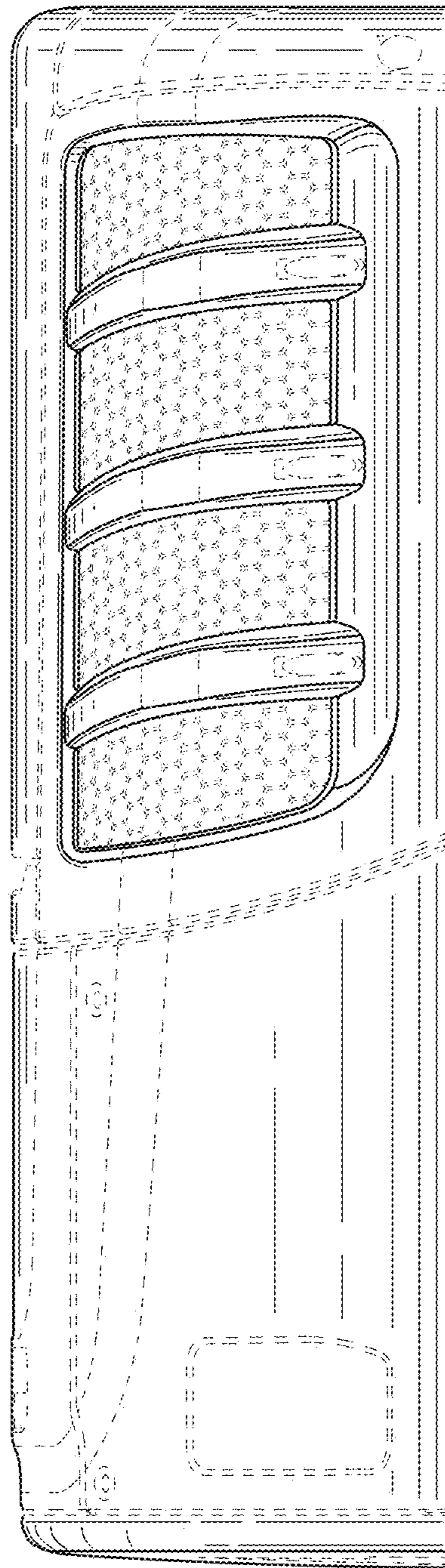


FIG. 3

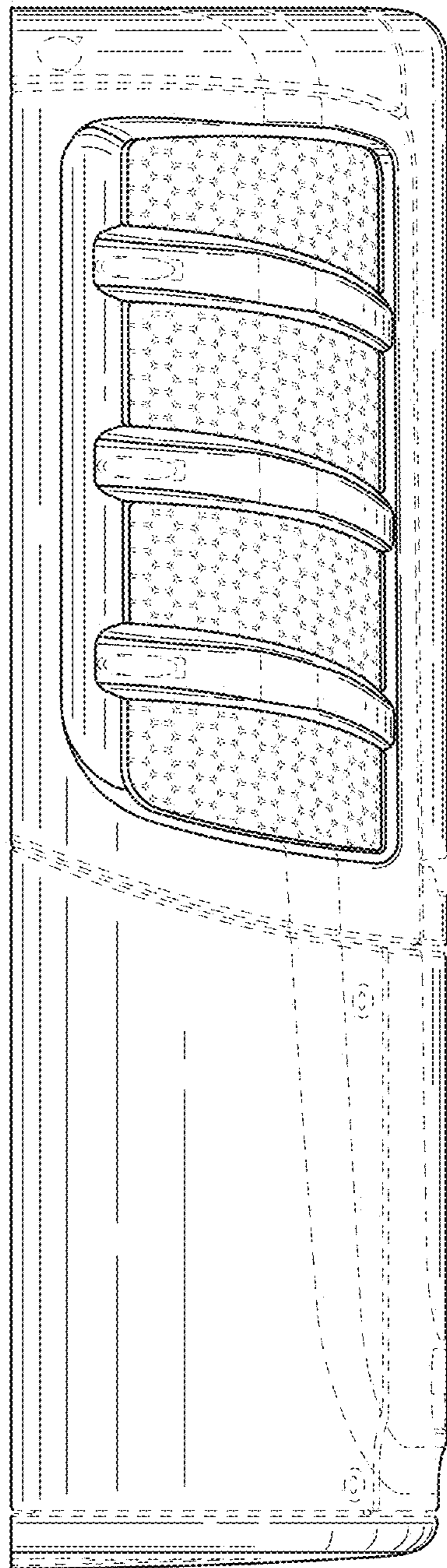


FIG. 4