



US00D687127S

(12) **United States Design Patent**
Fritz

(10) **Patent No.:** **US D687,127 S**
(45) **Date of Patent:** **** Jul. 30, 2013**

(54) **FAUCET**

(56) **References Cited**

(71) Applicant: **Masco Corporation of Indiana,**
Indianapolis, IN (US)

(72) Inventor: **Seth Fritz,** Carmel, IN (US)

(73) Assignee: **Masco Corporation of Indiana,**
Indianapolis, IN (US)

(**) Term: **14 Years**

(21) Appl. No.: **29/444,750**

(22) Filed: **Feb. 4, 2013**

(51) **LOC (9) Cl.** **23-01**

(52) **U.S. Cl.**
USPC **D23/238**

(58) **Field of Classification Search**
USPC D23/238-243, 250, 252, 255, 257;
4/675-678; 137/801

See application file for complete search history.

U.S. PATENT DOCUMENTS

5,492,148	A *	2/1996	Goughneour et al.	137/616.5
6,820,291	B1 *	11/2004	Weaver	4/695
D534,990	S *	1/2007	Zhou	D23/238
D564,634	S *	3/2008	Kirar	D23/250
D594,934	S *	6/2009	Vu et al.	D23/238
D651,284	S *	12/2011	Flowers et al.	D23/243

* cited by examiner

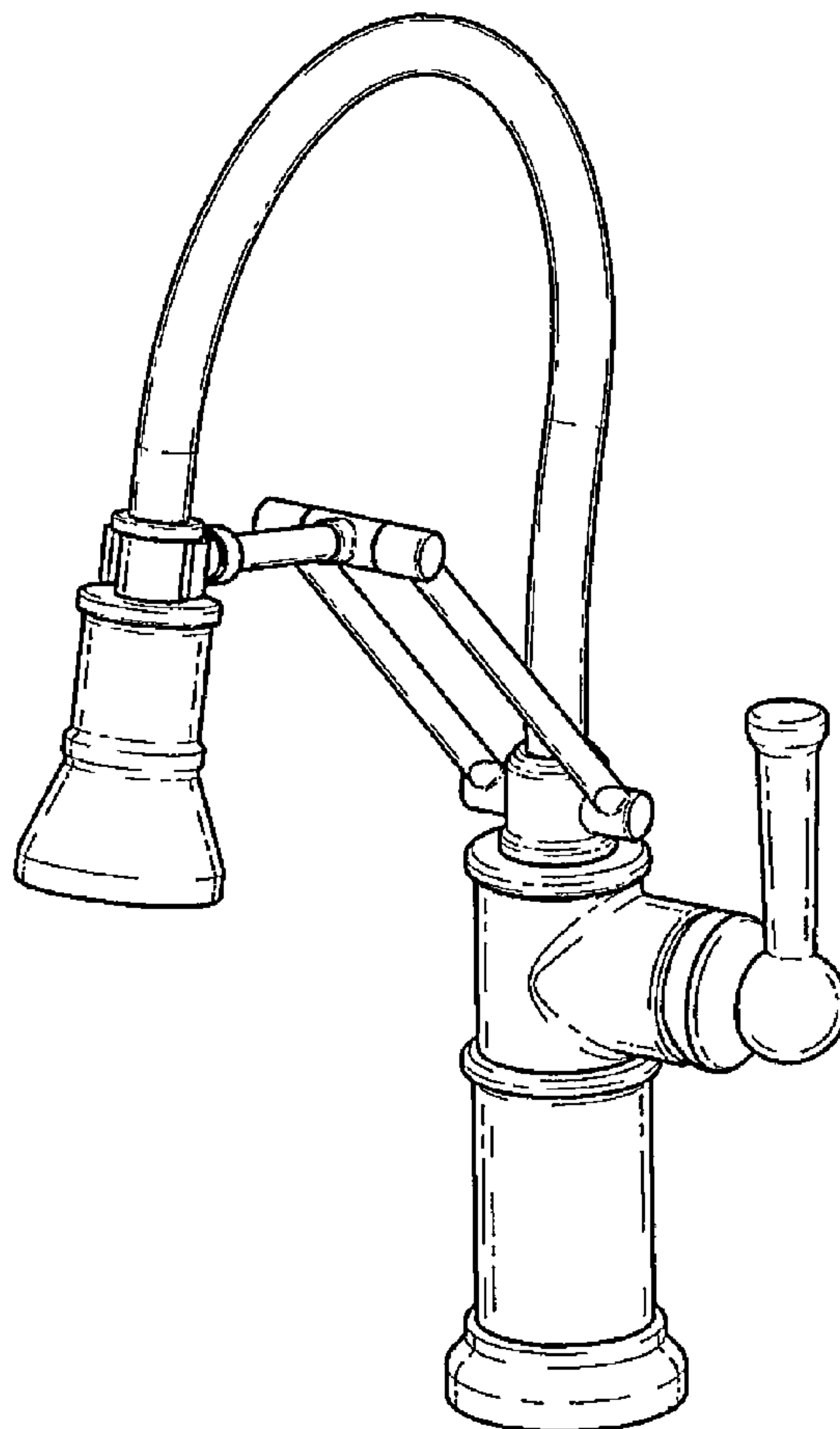
Primary Examiner — Robert Delehanty
(74) *Attorney, Agent, or Firm* — Edgar A. Zarins; Nirav D. Parikh

(57) **CLAIM**
The ornamental design for a faucet, as shown and described.

DESCRIPTION

FIG. 1 is a perspective view of a faucet showing my new design;
FIG. 2 is a rear perspective view thereof;
FIG. 3 is a right side view thereof;
FIG. 4 is a front elevational view thereof;
FIG. 5 is a top plan view thereof; and,
FIG. 6 is a left side view thereof.

1 Claim, 3 Drawing Sheets



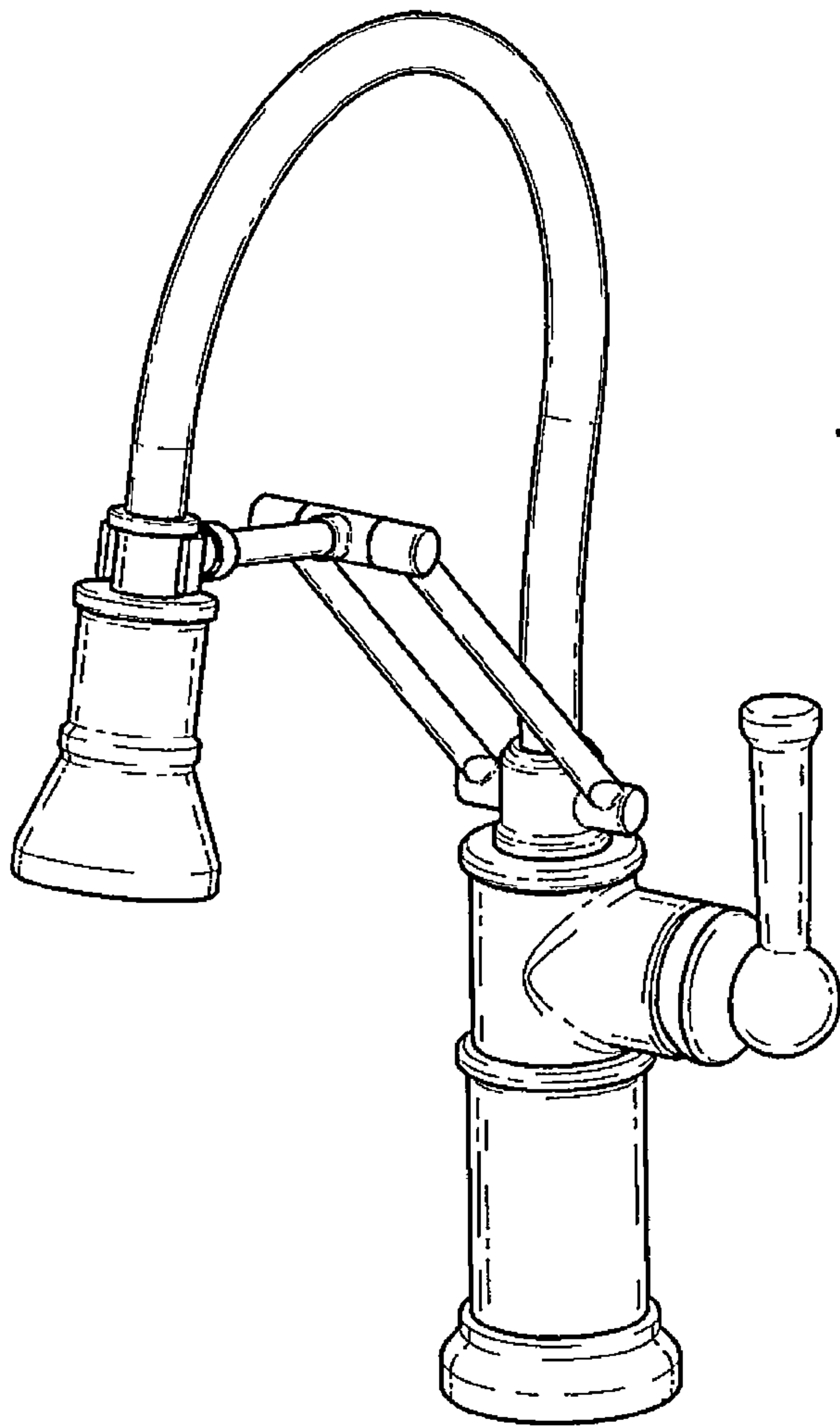


Fig-1

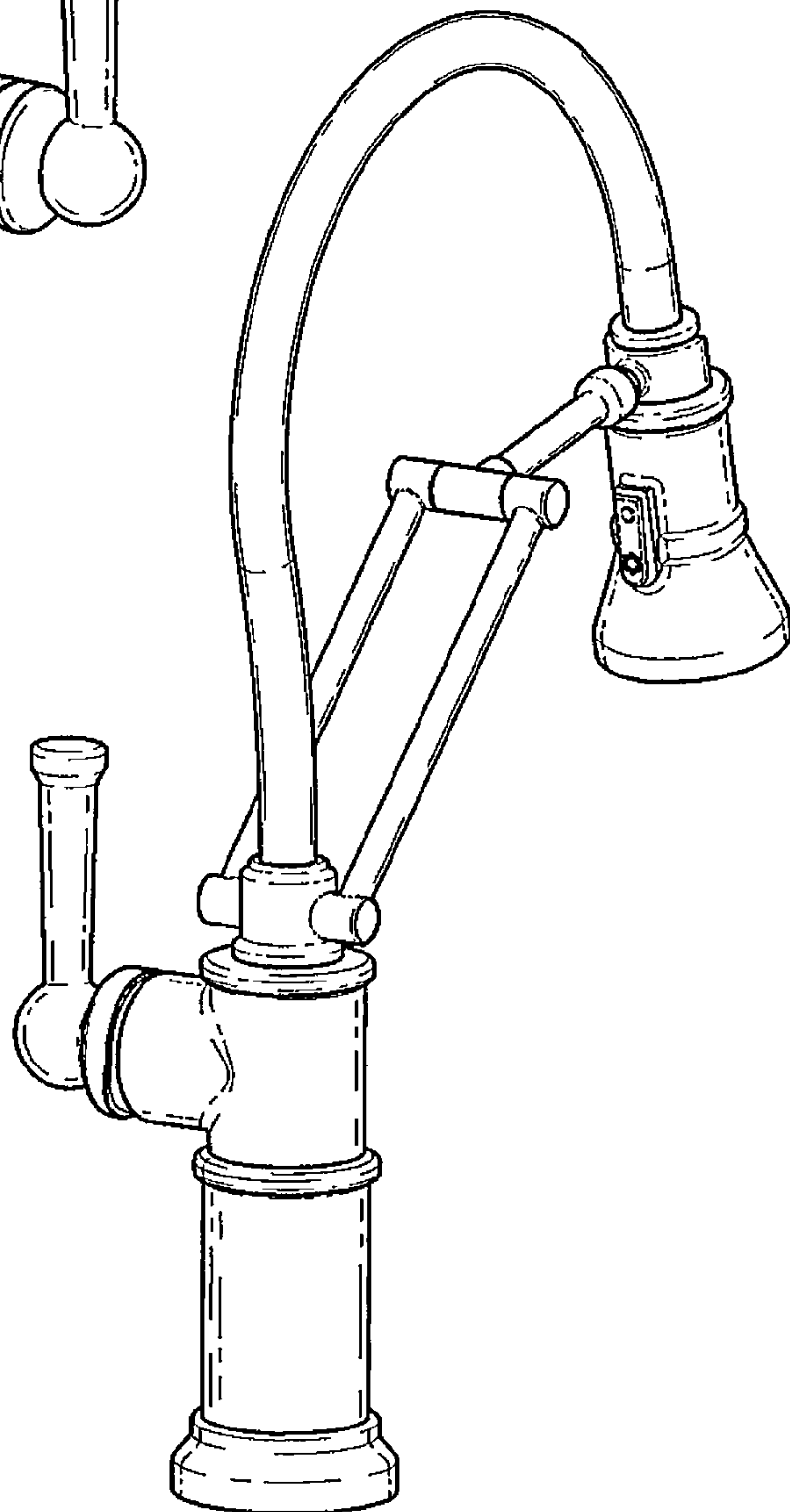


Fig-2

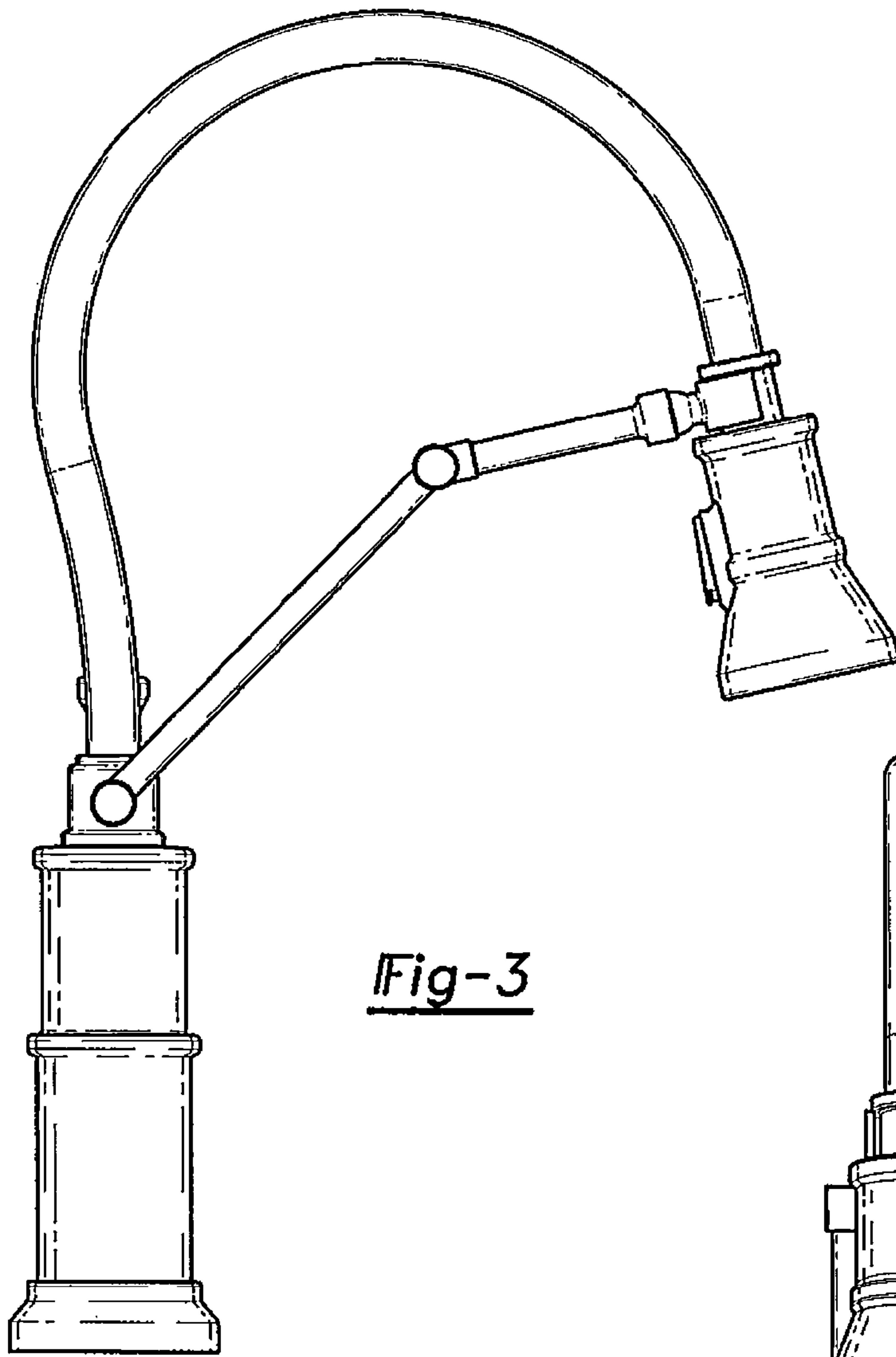


Fig-3

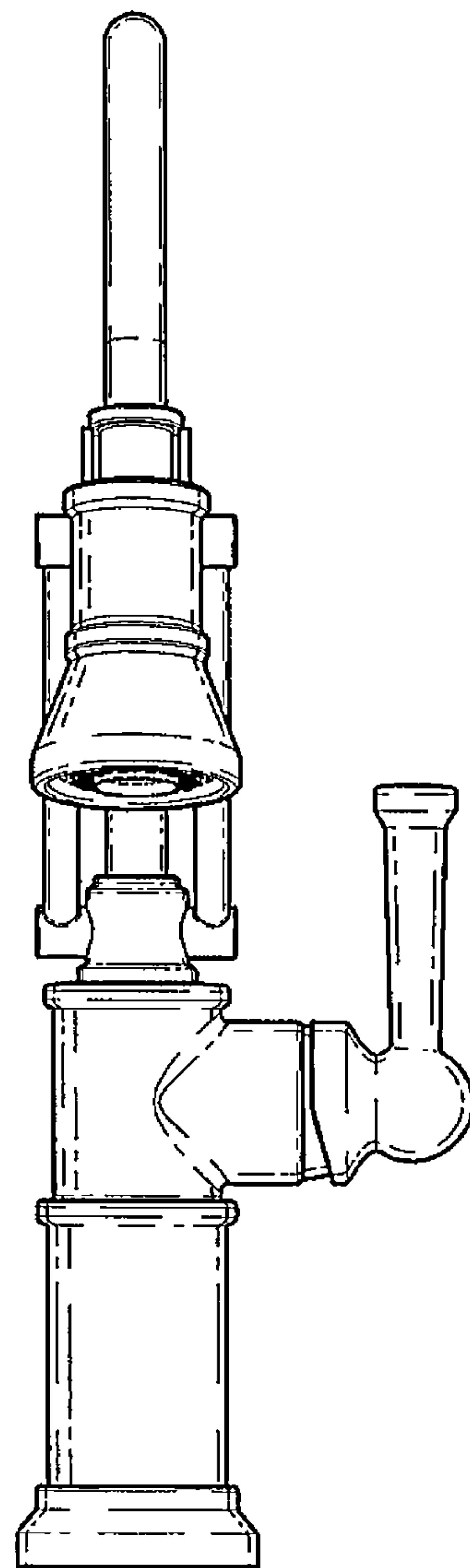


Fig-4

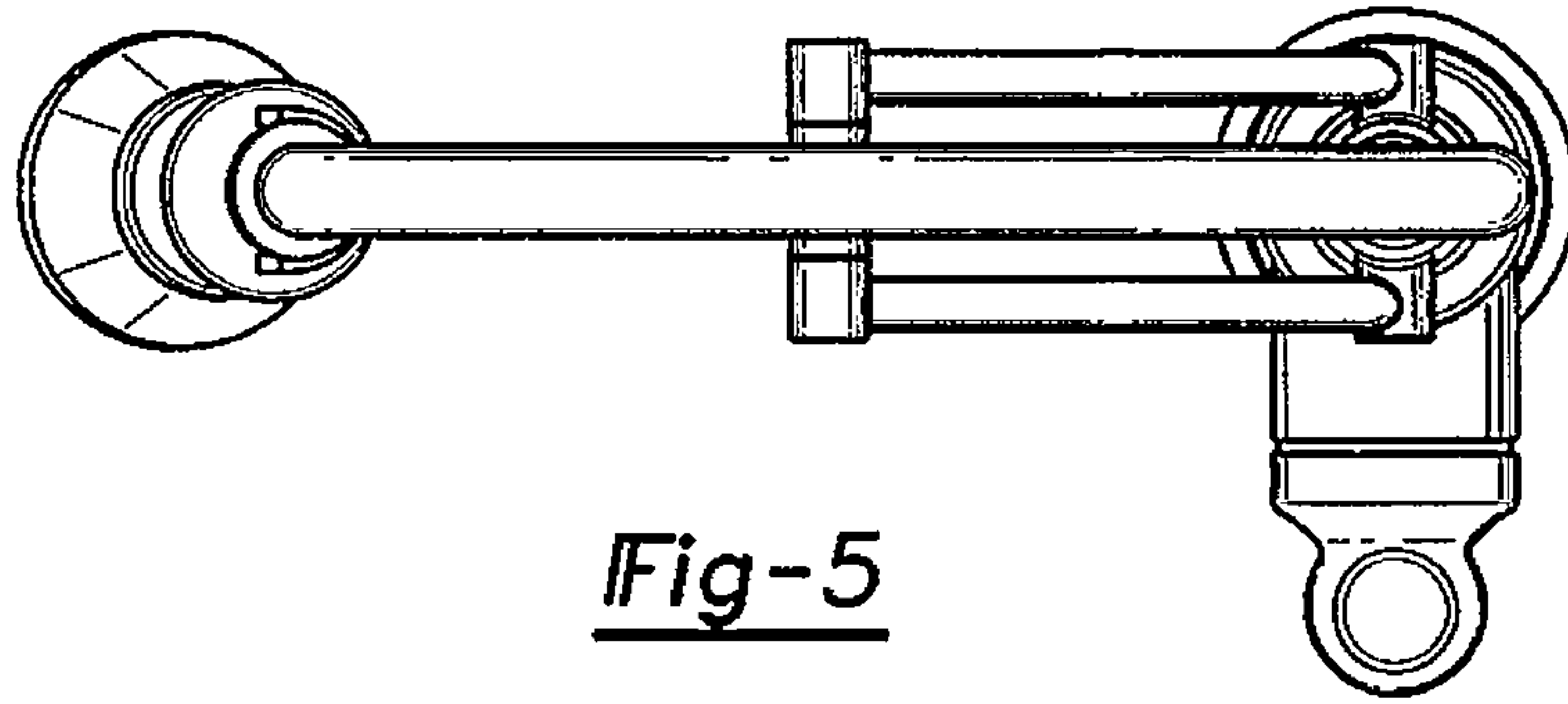


Fig-5

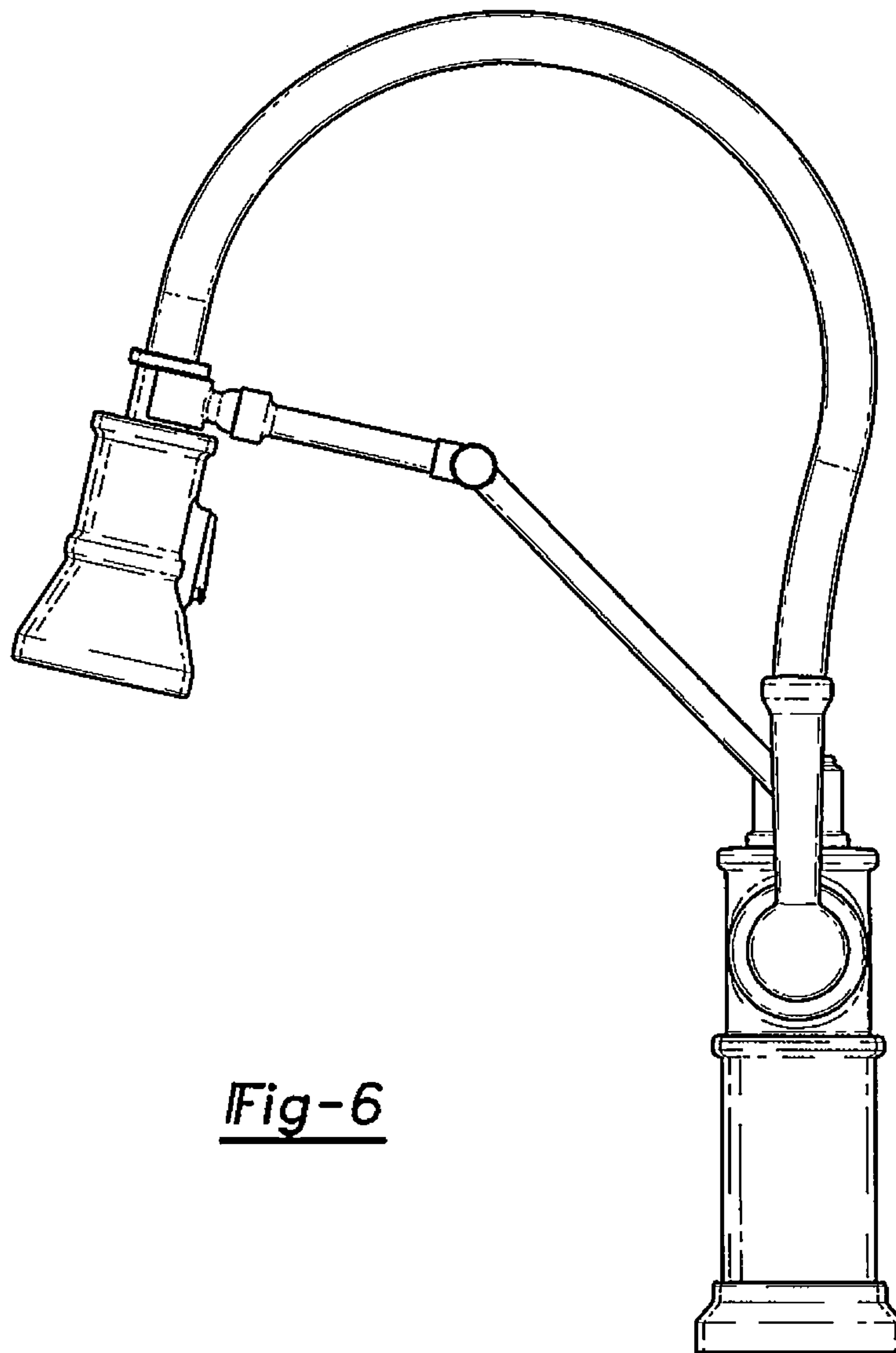


Fig-6

UNITED STATES PATENT AND TRADEMARK OFFICE
CERTIFICATE OF CORRECTION

PATENT NO. : D687,127 S
APPLICATION NO. : 29/444750
DATED : July 30, 2013
INVENTOR(S) : Seth Fritz

Page 1 of 1

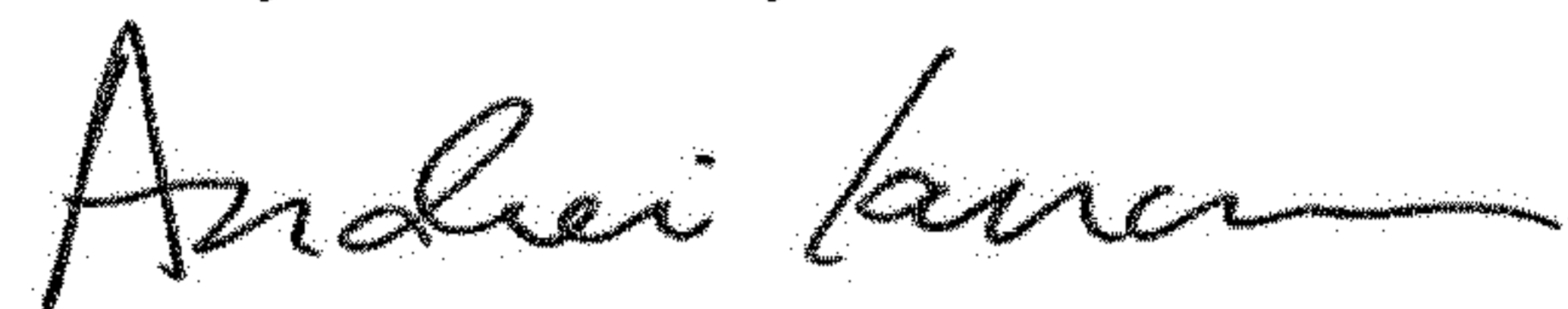
It is certified that error appears in the above-identified patent and that said Letters Patent is hereby corrected as shown below:

On the Title Page

Item (72) Inventor, should read:

--(72) Inventors: Seth Fritz, Carmel, IN (US);
Celine Kwok Garland, Zionsville, IN (US)--.

Signed and Sealed this
Twenty-ninth Day of October, 2019



Andrei Iancu
Director of the United States Patent and Trademark Office