



US00D687126S

(12) **United States Design Patent**
Romero et al.

(10) **Patent No.:** **US D687,126 S**
(45) **Date of Patent:** **** Jul. 30, 2013**

(54) **FAUCET**

D602,122 S * 10/2009 Corbett D23/238
D614,265 S * 4/2010 Downey D23/255
D676,937 S * 2/2013 Romero et al. D23/252

(75) Inventors: **Emilie Williams Romero**, Chicago, IL
(US); **Anthony Spangler**, Indianapolis,
IN (US)

* cited by examiner

(73) Assignee: **Masco Corporation of Indiana**,
Indianapolis, IN (US)

Primary Examiner — Robert Delehanty
(74) *Attorney, Agent, or Firm* — Edgar A. Zarins; Nirav D.
Parikh

(**) Term: **14 Years**

(57) **CLAIM**

(21) Appl. No.: **29/418,016**

The ornamental design for a faucet, as shown and described.

(22) Filed: **Apr. 11, 2012**

DESCRIPTION

(51) **LOC (9) Cl.** **23-01**

(52) **U.S. Cl.**
USPC **D23/238**

(58) **Field of Classification Search**
USPC D23/238–242, 255, 257, 250, 252;
4/675–678; 137/801
See application file for complete search history.

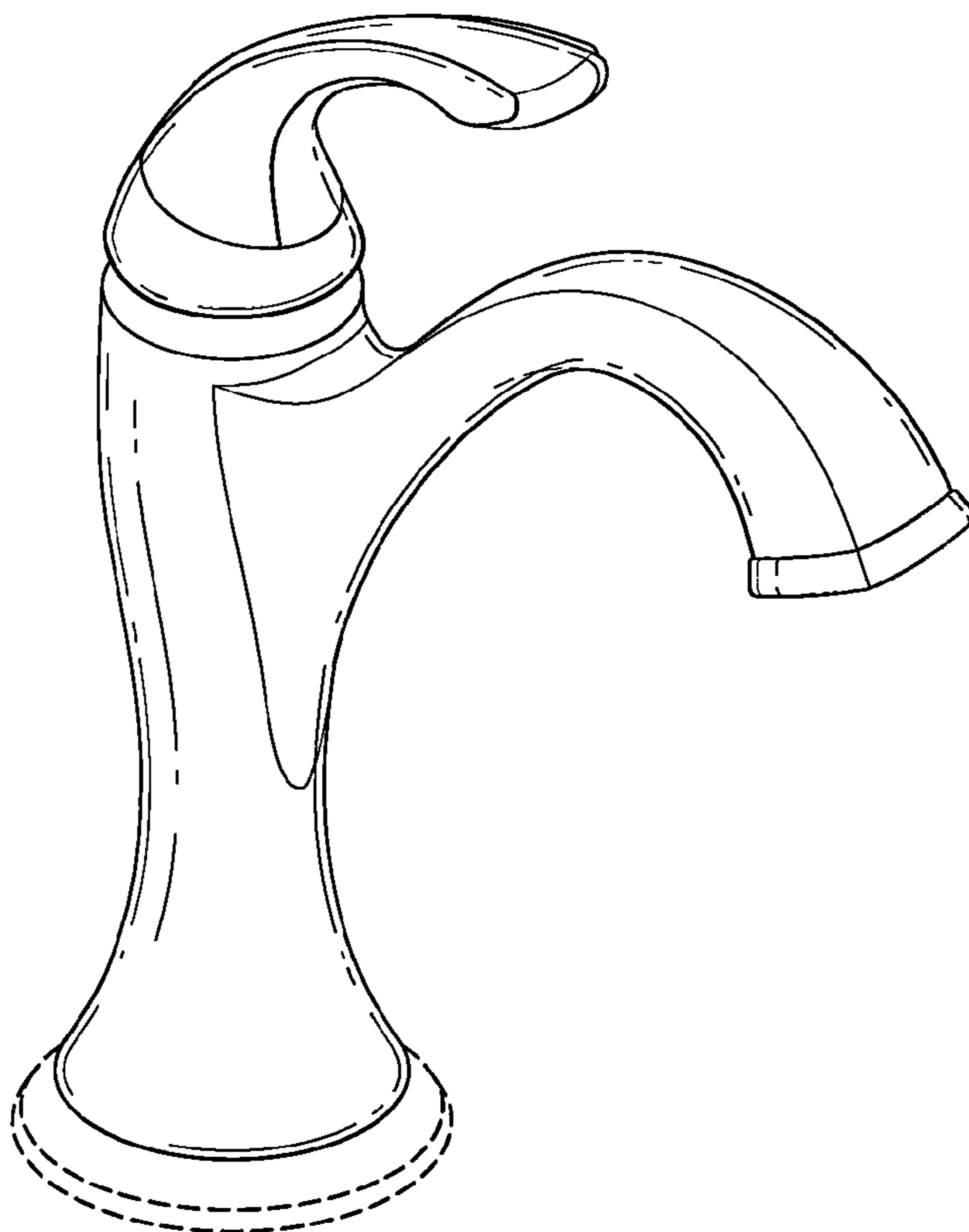
FIG. 1 is a perspective view of a faucet showing our new design;
FIG. 2 is a front elevational view thereof;
FIG. 3 is a rear view thereof;
FIG. 4 is a top plan view thereof;
FIG. 5 is a right side view thereof;
FIG. 6 is a left side view thereof; and,
FIG. 7 is a bottom view thereof.
The broken lines showing portions of the faucet spout forms no part of the claimed design.

(56) **References Cited**

U.S. PATENT DOCUMENTS

D427,665 S * 7/2000 Fabian et al. D23/252
D583,019 S * 12/2008 Soriano D23/250

1 Claim, 2 Drawing Sheets



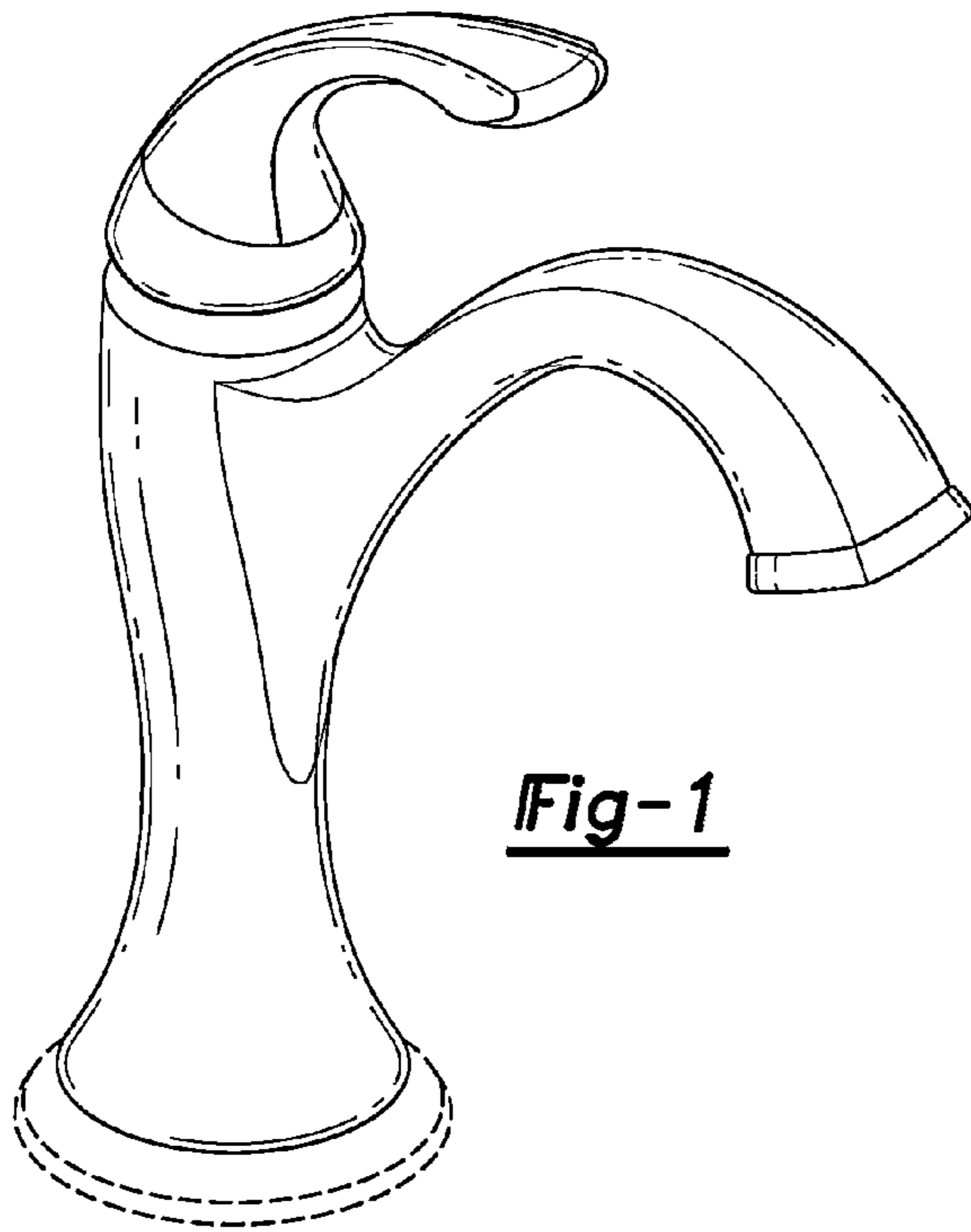


Fig-1

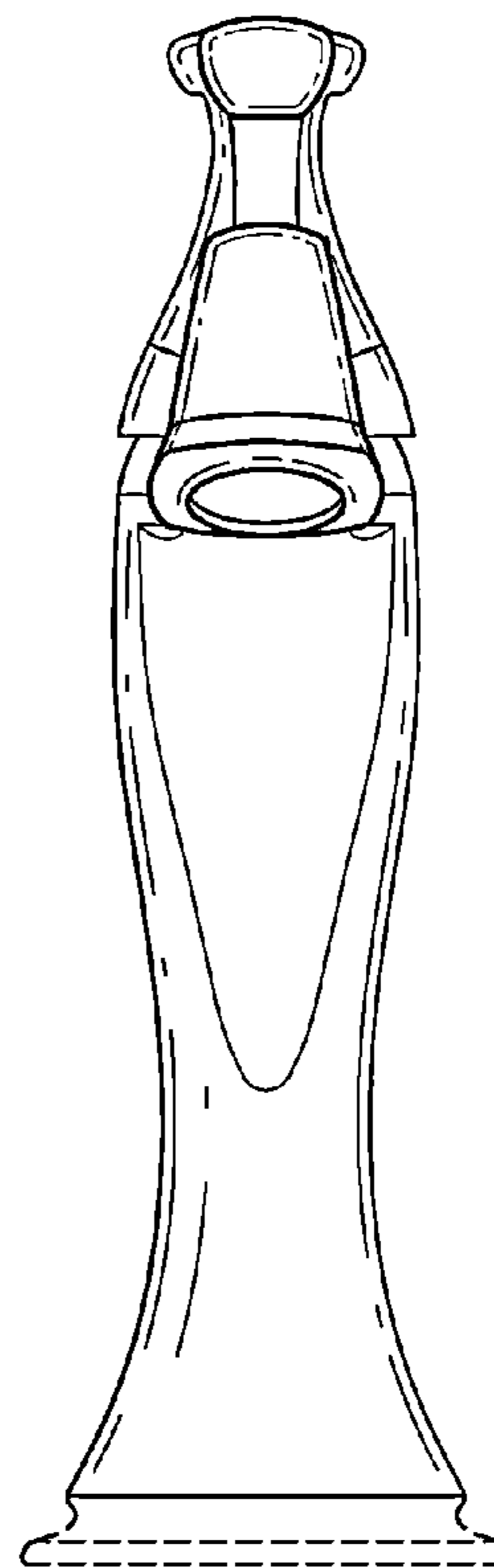


Fig-2

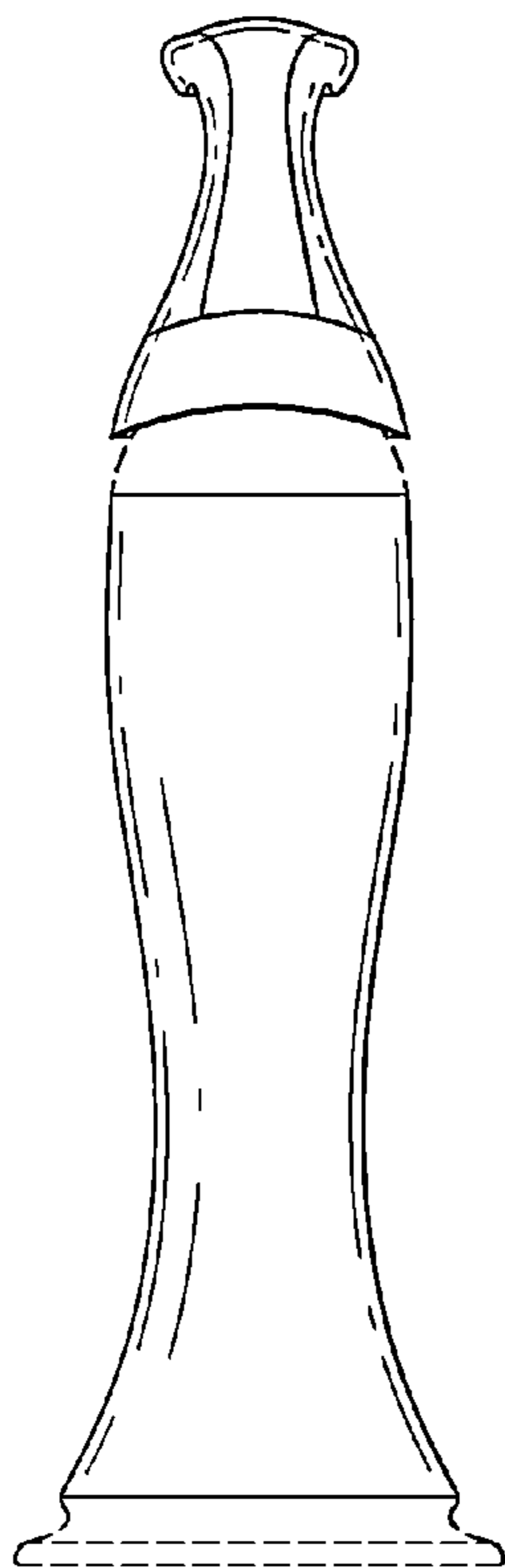


Fig-3

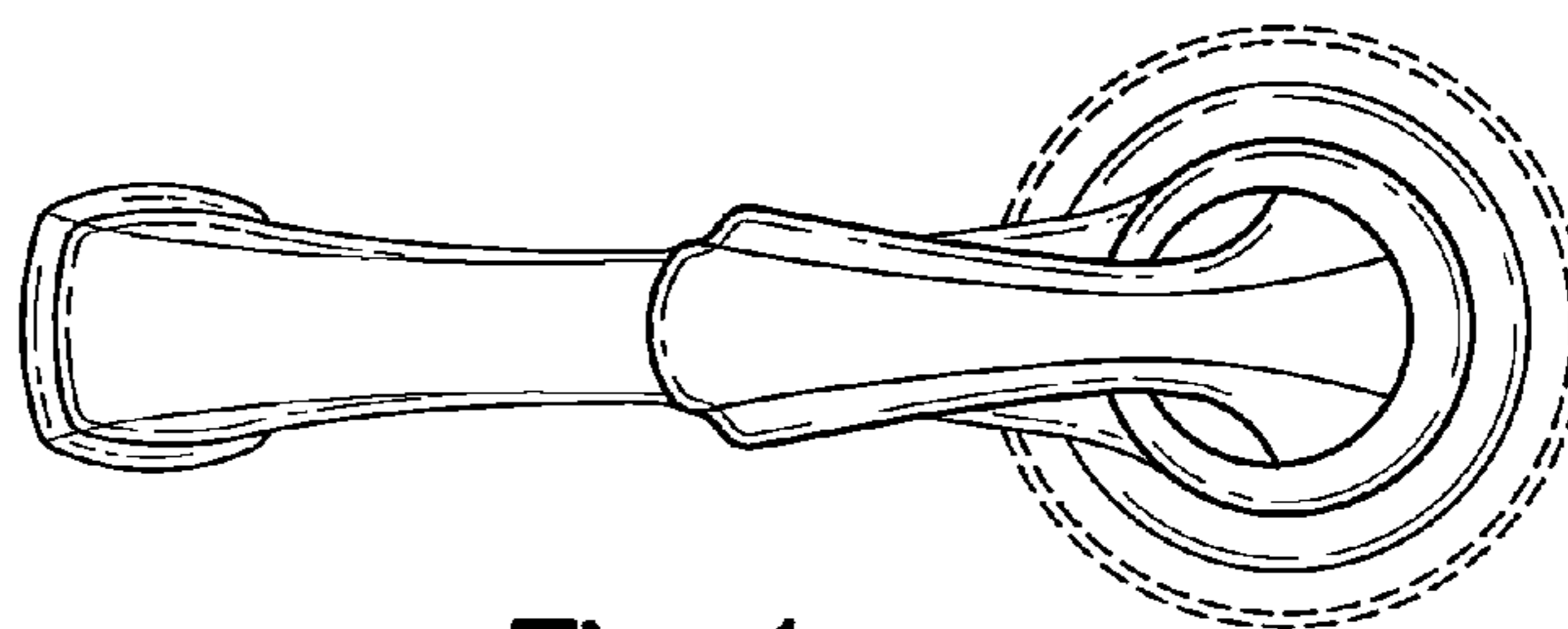


Fig-4

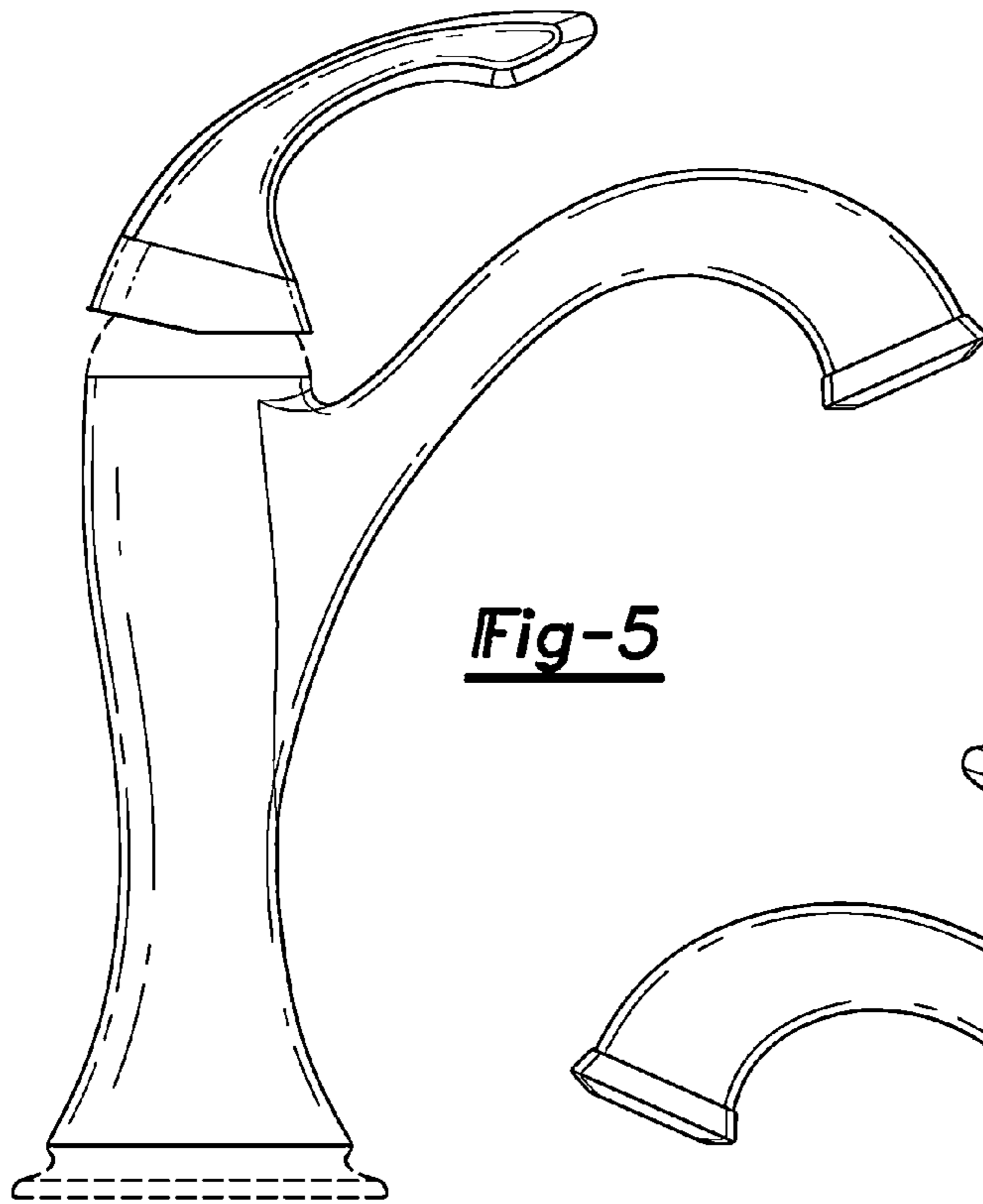


Fig-5

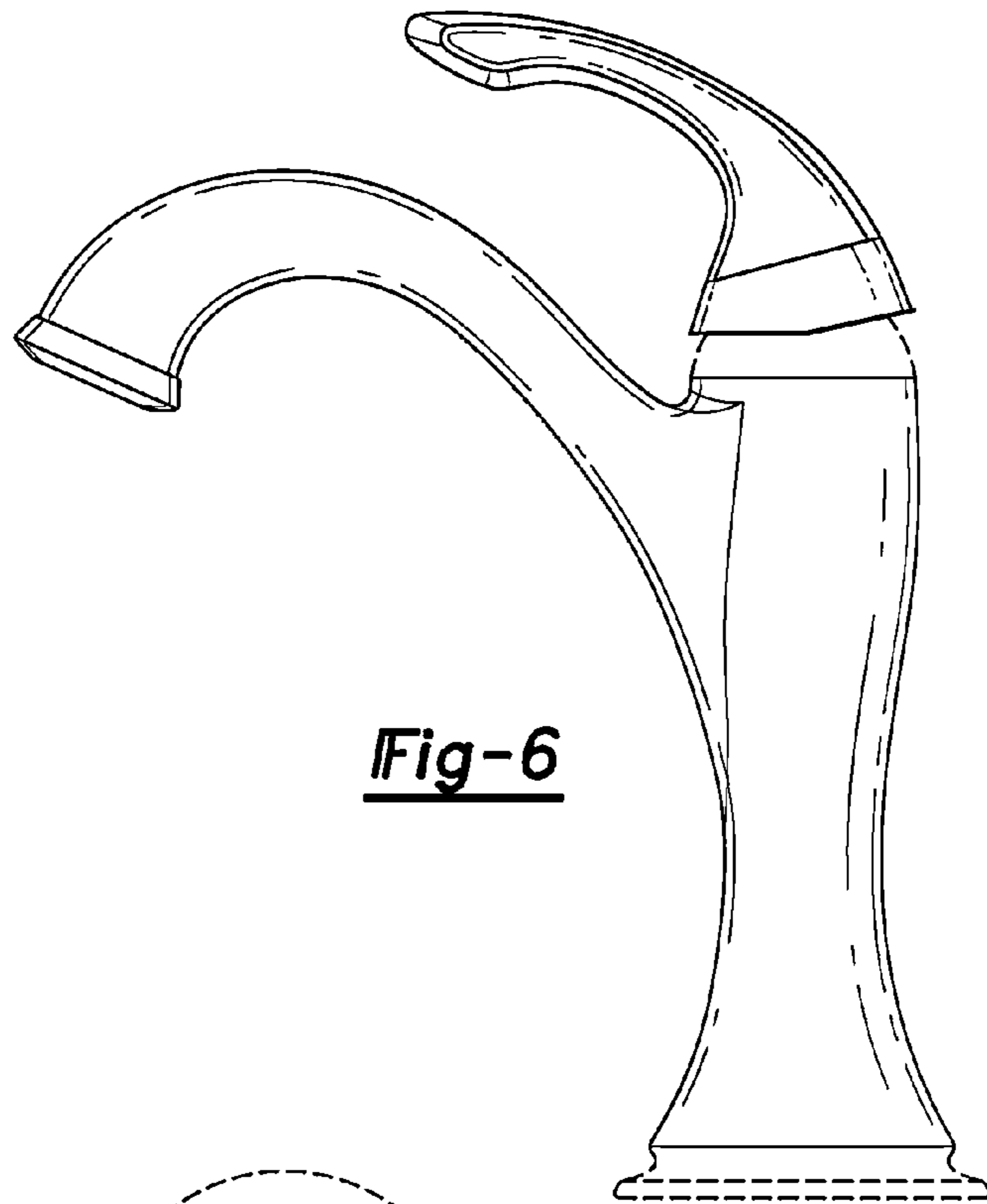


Fig-6

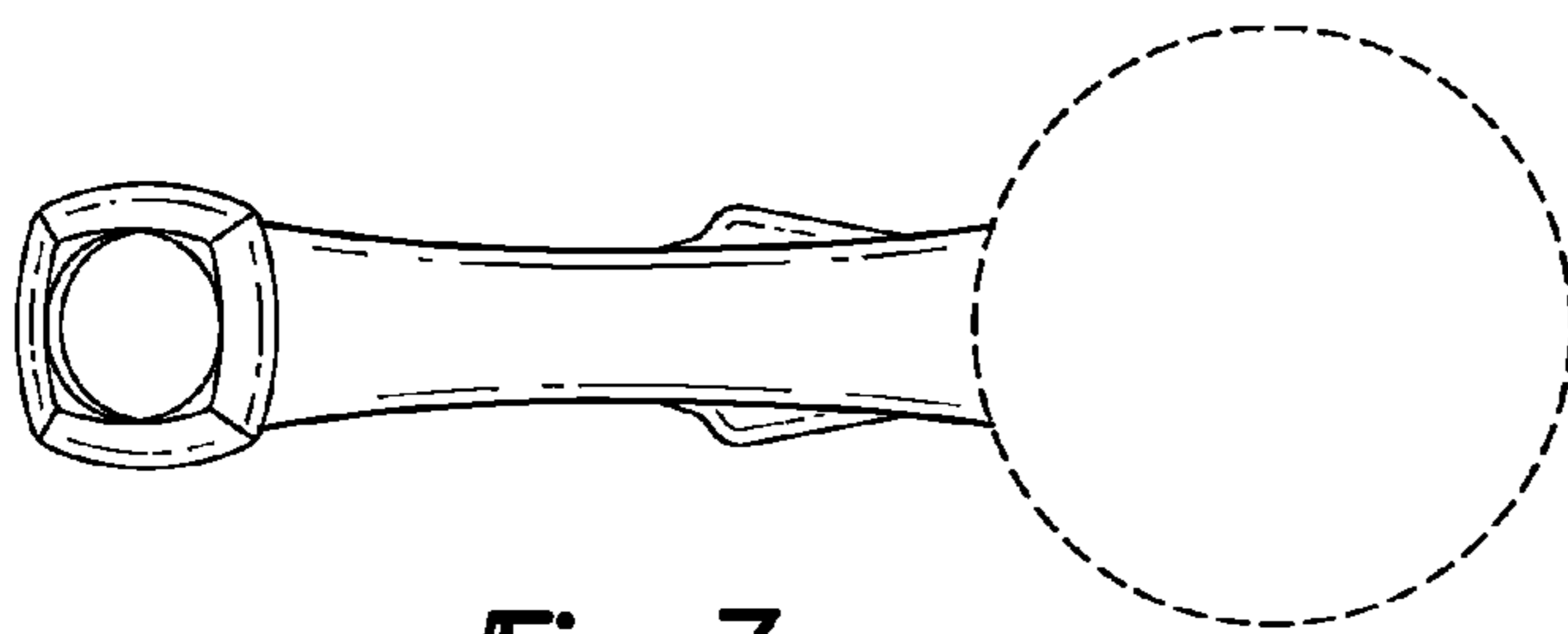


Fig-7