



US00D687125S

(12) **United States Design Patent**  
**Hawes et al.**

(10) **Patent No.:** **US D687,125 S**  
(45) **Date of Patent:** **\*\* Jul. 30, 2013**

(54) **FLUID END**

(75) Inventors: **John E. Hawes**, Southlake, TX (US);  
**Mark D. Matzner**, Burleson, TX (US)

(73) Assignee: **S.P.M. Flow Control, Inc.**, Fort Worth, TX (US)

(\*\*) Term: **14 Years**

(21) Appl. No.: **29/399,897**

(22) Filed: **Aug. 19, 2011**

(51) **LOC (9) Cl.** ..... **23-01**

(52) **U.S. Cl.**  
USPC ..... **D23/233**

(58) **Field of Classification Search**  
USPC ..... D23/200, 207, 209, 210, 233–237,  
D23/244–249, 259–269, 310; D10/85, 86;  
73/700; 91/394, 395, 407, 408; 92/28, 51,  
92/52, 88, 143, 177; 137/625.4, 625.64, 625.65,  
137/596.13, 196.16, 271, 343, 272  
See application file for complete search history.

(56) **References Cited**

U.S. PATENT DOCUMENTS

D556,861 S \* 12/2007 Yokohari ..... D23/233  
D556,862 S \* 12/2007 Yokohari ..... D23/233

D606,629 S \* 12/2009 Tokumoto ..... D23/233  
D660,191 S \* 5/2012 Asaba ..... D10/85  
D667,532 S \* 9/2012 Asaba ..... D23/233  
D670,790 S \* 11/2012 Tokumoto ..... D23/233  
D676,111 S \* 2/2013 Fukano et al. .... D23/233

\* cited by examiner

*Primary Examiner* — Cynthia Ramirez

(74) *Attorney, Agent, or Firm* — Bracewell & Giuliani, LLP

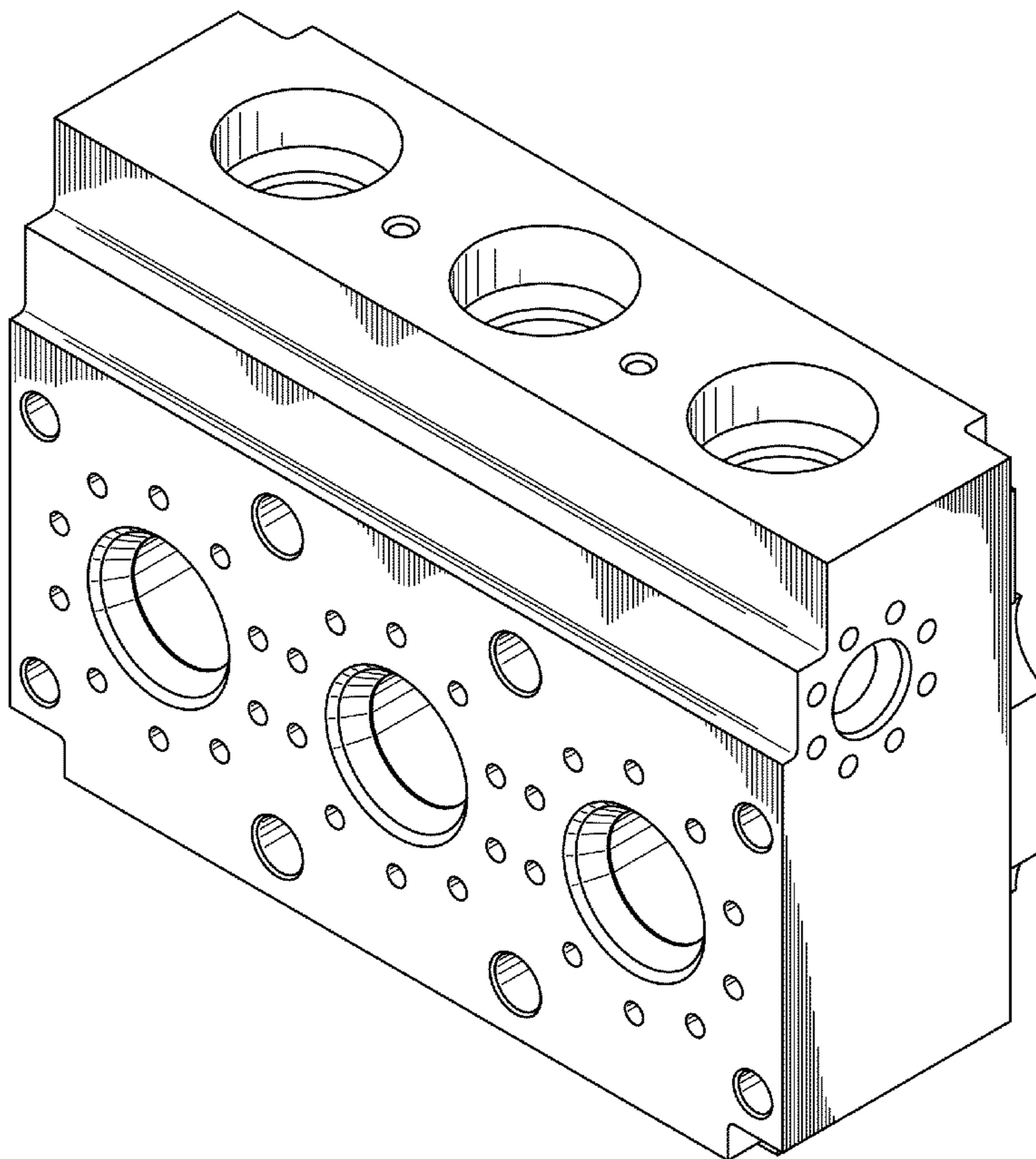
(57) **CLAIM**

The ornamental design for a fluid end, as shown.

**DESCRIPTION**

FIG. 1 is a top and back perspective view of the fluid end;  
FIG. 2 is a top and front perspective view of the fluid end;  
FIG. 3 is a front elevation view of the fluid end of FIG. 1;  
FIG. 4 is a back elevation view of the fluid end of FIG. 1;  
FIG. 5 is a left side elevation view of the fluid end of FIG. 1,  
a right side elevation view of the fluid end is the mirror image  
of the left side elevation view;  
FIG. 6 is a top plan elevation view of the fluid end of FIG. 1;  
and,  
FIG. 7 is a bottom plan elevation view of the fluid end of FIG.  
1.

**1 Claim, 4 Drawing Sheets**



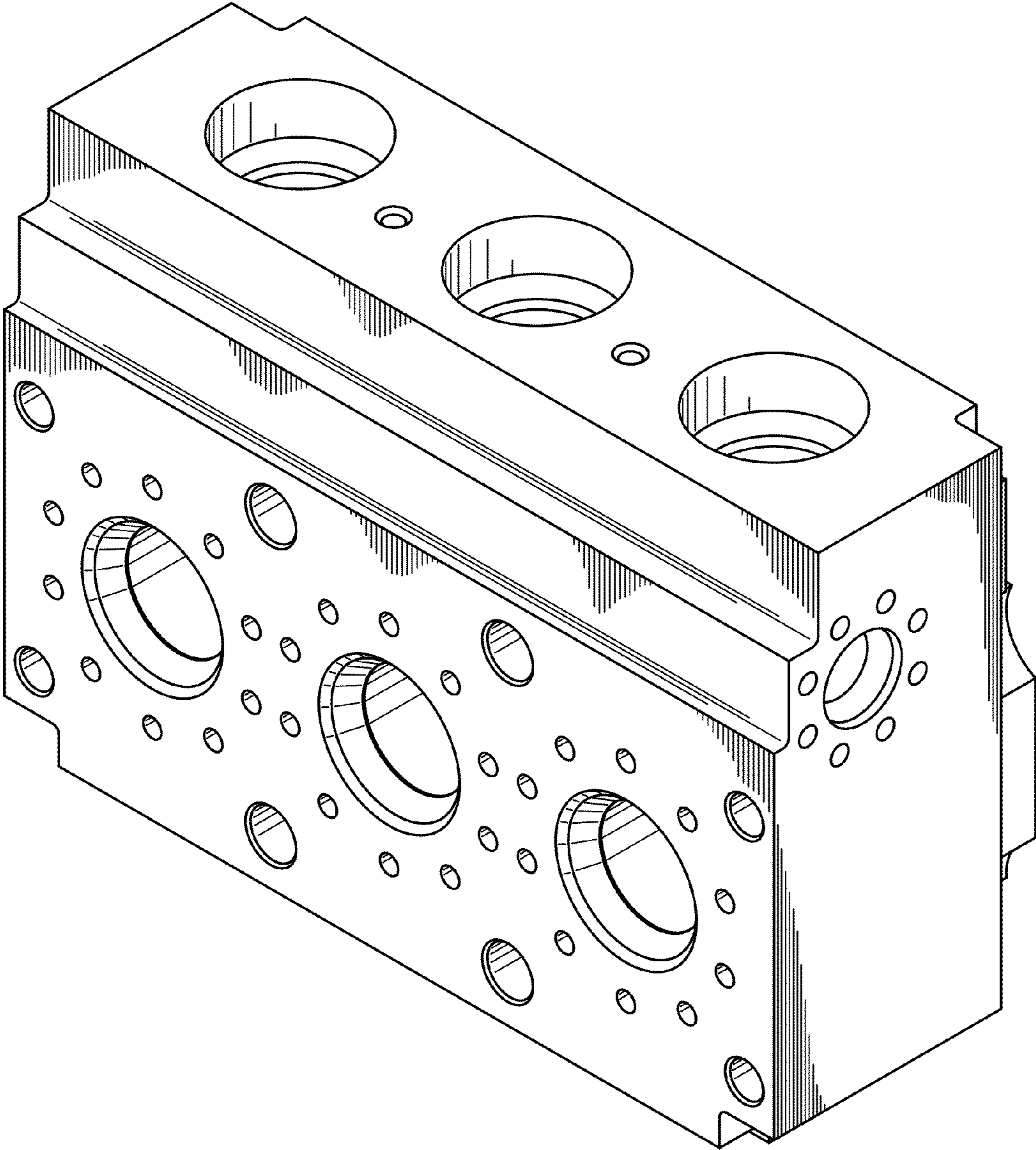


Fig. 1

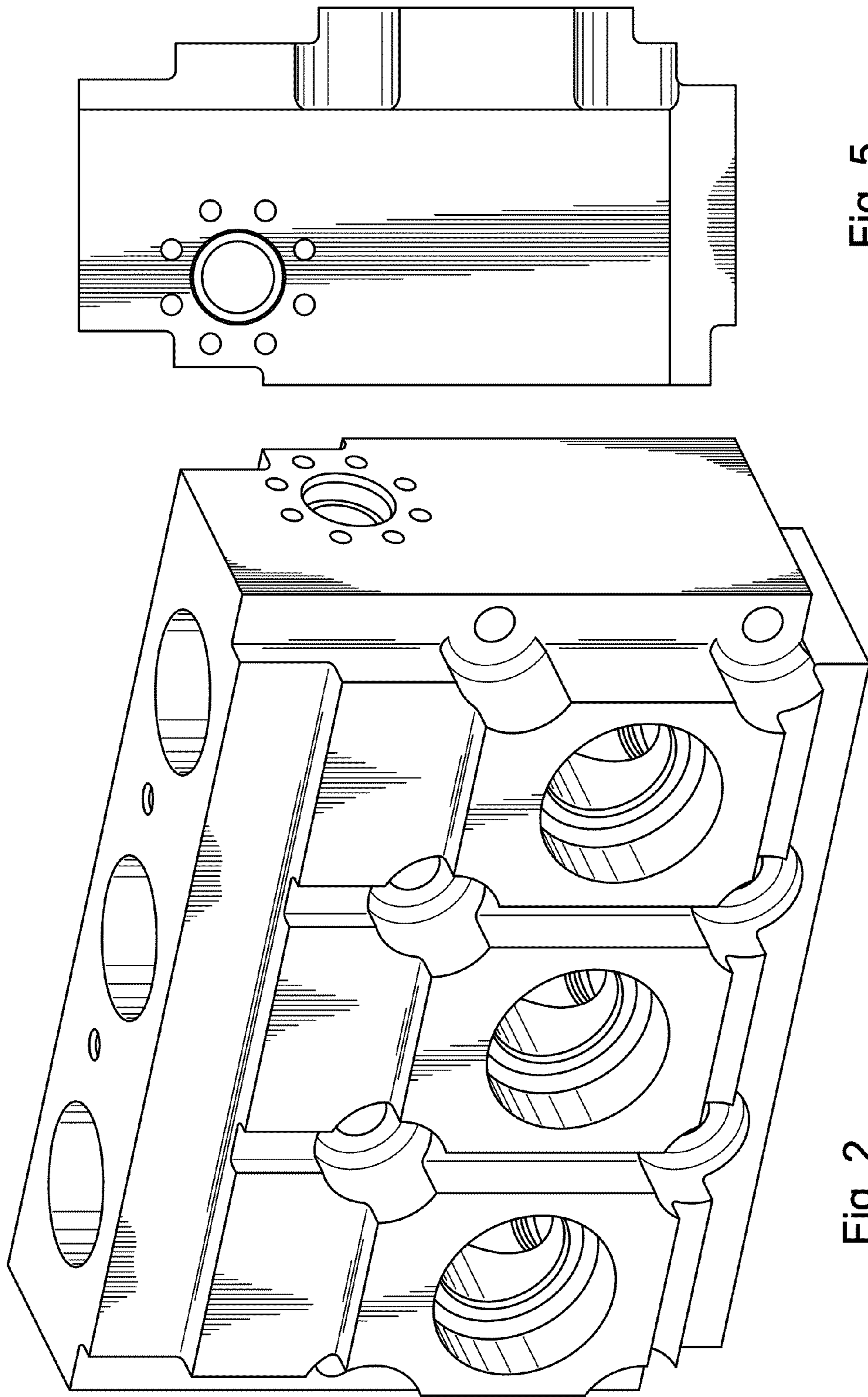


Fig. 5

Fig. 2

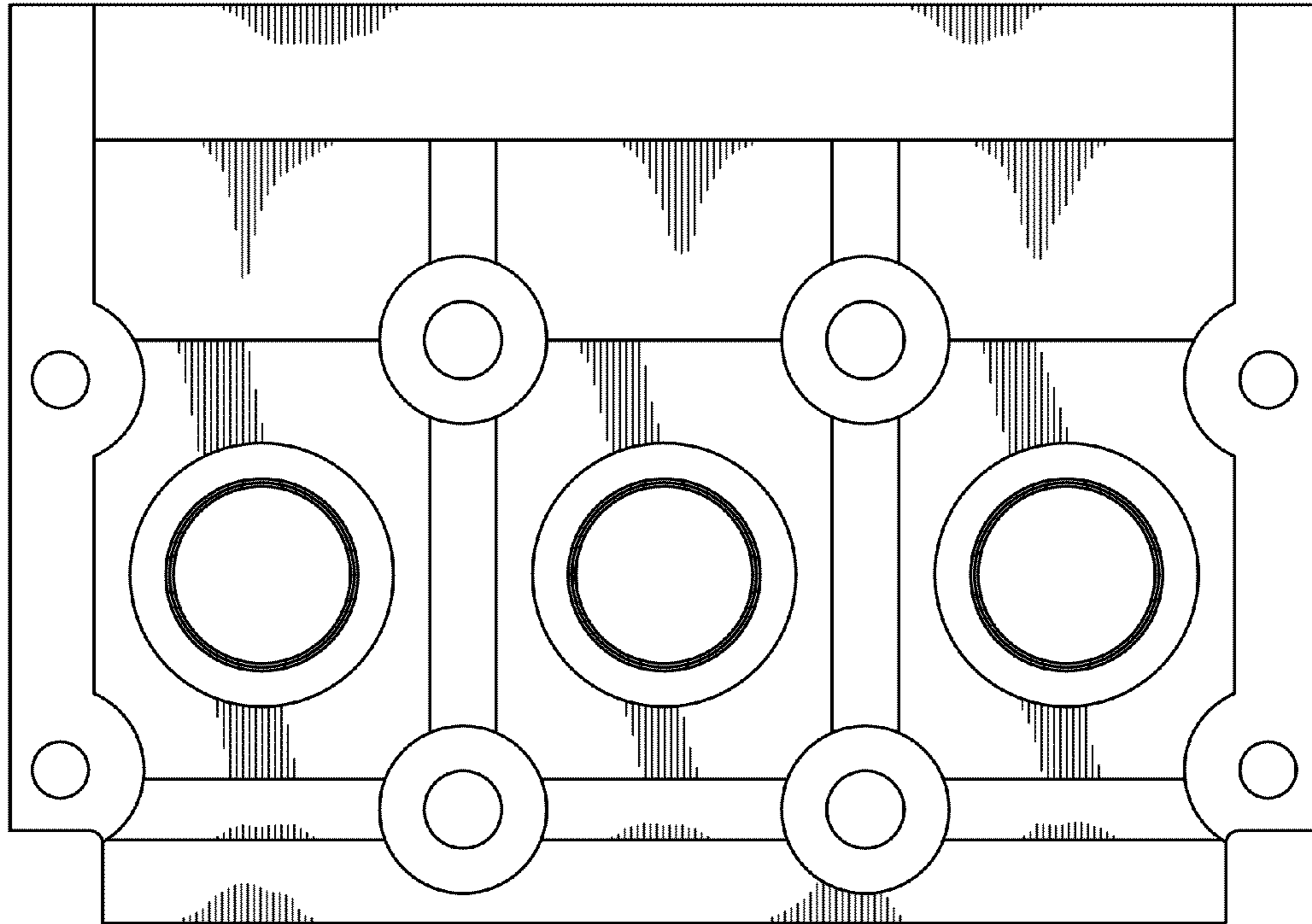


Fig. 3

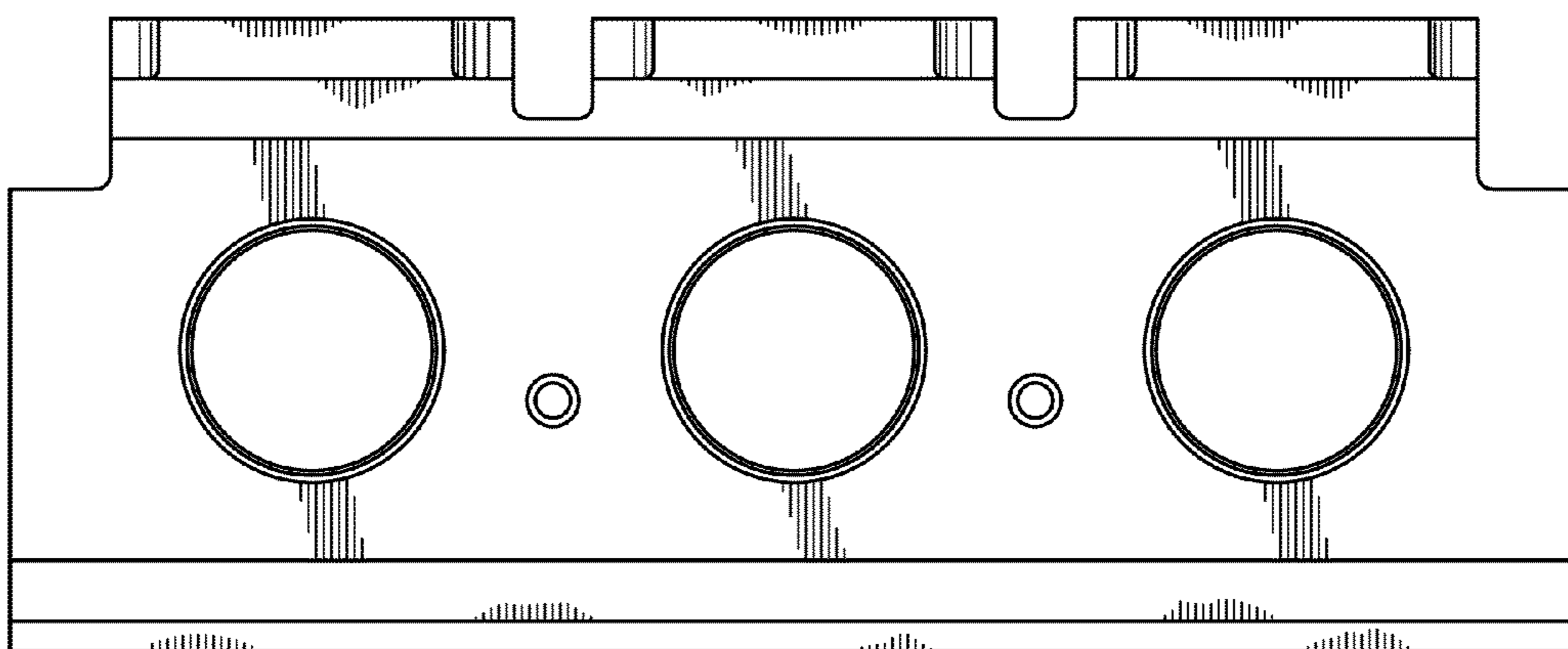


Fig. 6

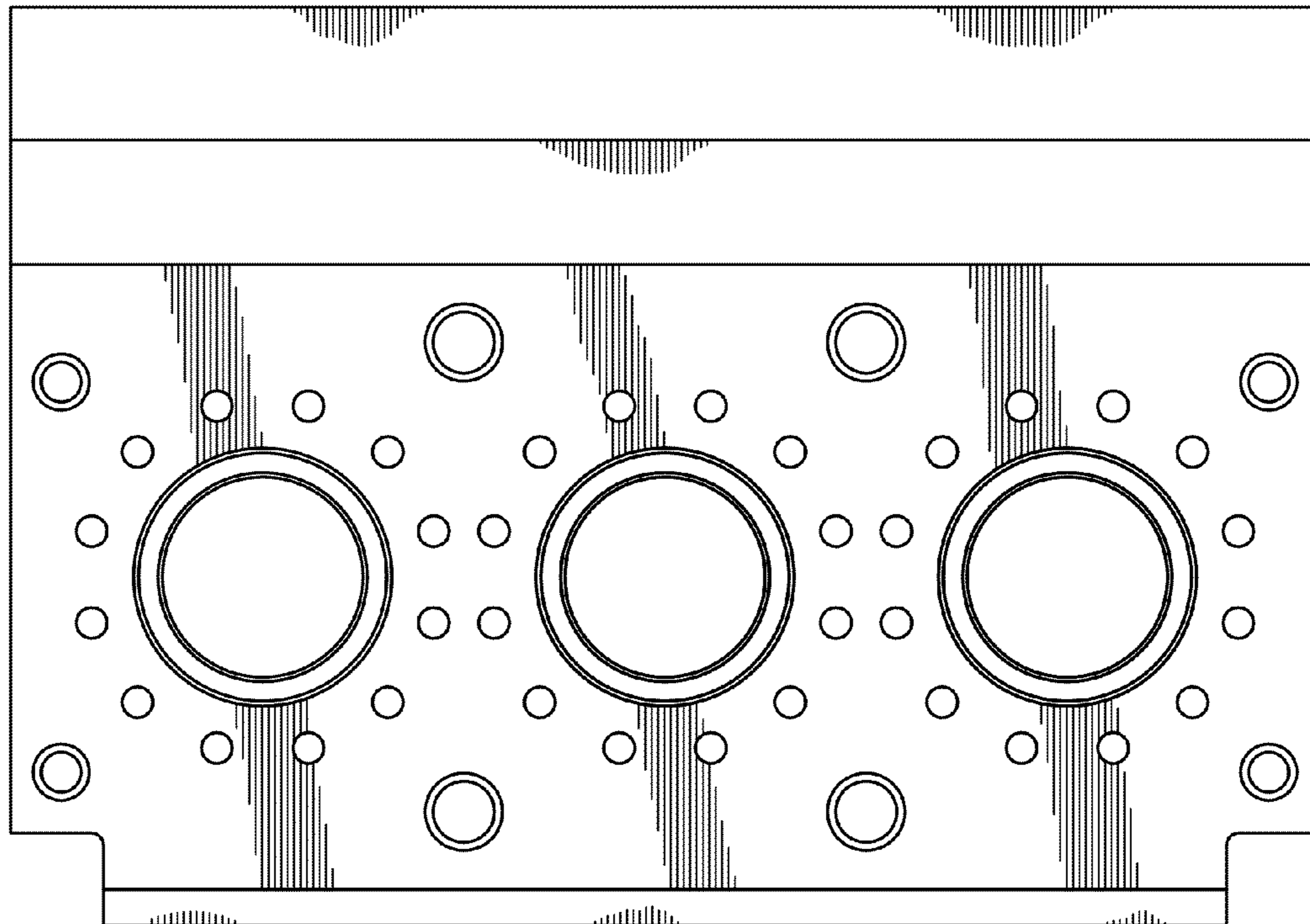


Fig. 4

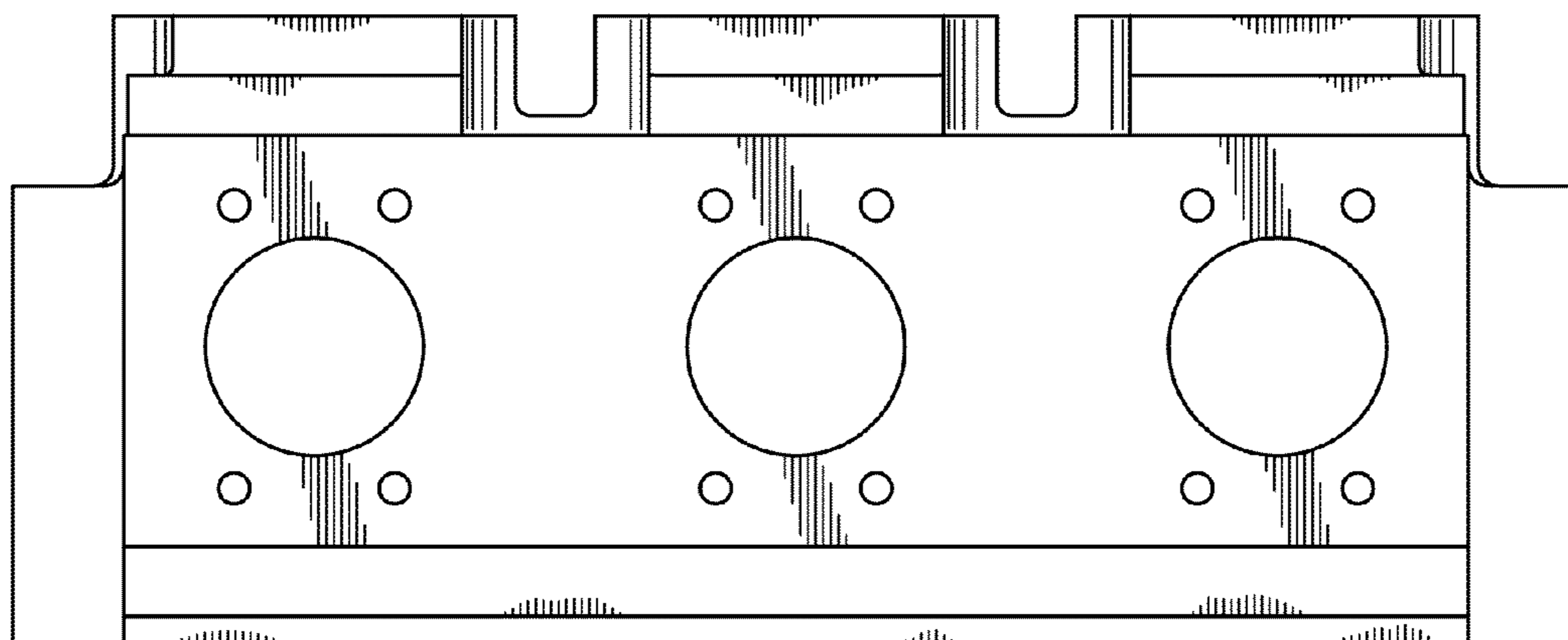


Fig. 7