



US00D687120S

(12) **United States Design Patent**
Hughes et al.

(10) **Patent No.:** **US D687,120 S**
(45) **Date of Patent:** **** Jul. 30, 2013**

(54) **LASER DEVICE**

(75) Inventors: **Daniel Hughes**, Damascus, OR (US);
Frederick Karl, West Linn, OR (US);
Lewis A. Danielson, Newberg, OR (US)

(73) Assignee: **Crimson Trace, Inc.**, Wilsonville, OR
(US)

(**) Term: **14 Years**

(21) Appl. No.: **29/406,087**

(22) Filed: **Nov. 9, 2011**

(51) **LOC (9) Cl.** **22-01**

(52) **U.S. Cl.**
USPC **D22/109**

(58) **Field of Classification Search**
USPC D22/108–109; 42/111–128; 89/1.61,
89/200–204; 356/247–256
See application file for complete search history.

(56) **References Cited**

U.S. PATENT DOCUMENTS

5,107,612	A *	4/1992	Bechtel	42/115
5,435,091	A	7/1995	Toole et al.		
5,706,600	A	1/1998	Toole et al.		
5,784,823	A *	7/1998	Chen	42/115
6,393,752	B1 *	5/2002	Oliver et al.	42/114
7,260,910	B2	8/2007	Danielson		
7,395,627	B2 *	7/2008	La France et al.	42/114
7,472,830	B2	1/2009	Danielson		
D603,478	S	11/2009	Hughes		
D616,957	S	6/2010	Rievley et al.		

7,743,547	B2	6/2010	Houde-Walter		
7,805,876	B1	10/2010	Danielson et al.		
D636,049	S	4/2011	Hughes et al.		
D636,837	S	4/2011	Hughes et al.		
8,028,461	B2	10/2011	NuDyke		
8,256,154	B2 *	9/2012	Danielson et al.	42/146
D669,553	S *	10/2012	Hughes et al.	D22/109
D669,958	S *	10/2012	Essig et al.	D22/108
D669,959	S *	10/2012	Johnston et al.	D22/108
2011/0047850	A1	3/2011	Rievley et al.		

* cited by examiner

Primary Examiner — Michael A Pratt

(74) *Attorney, Agent, or Firm* — Schwabe, Williamson & Wyatt, P.C.

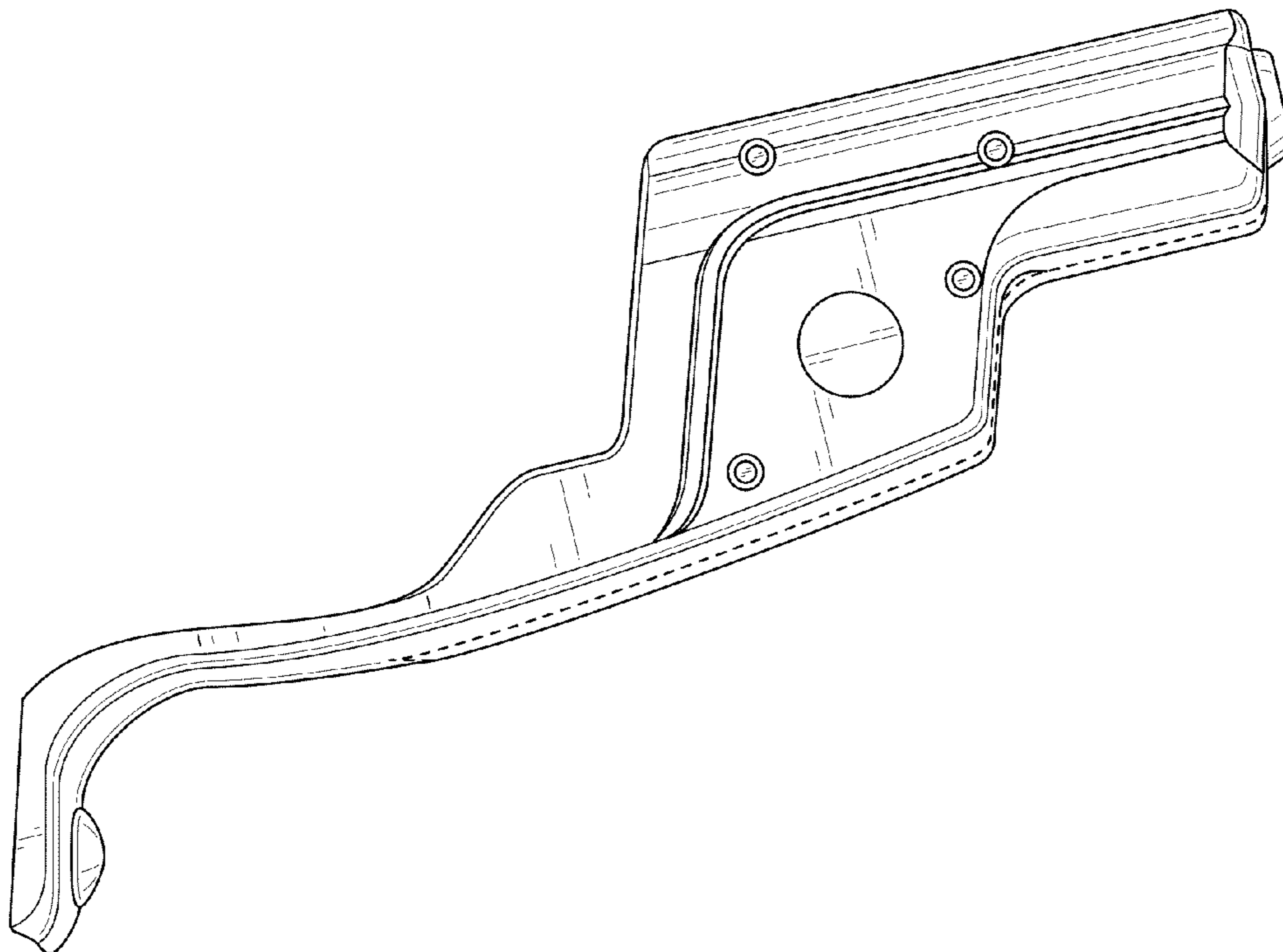
(57) **CLAIM**

I claim an ornamental design for a laser device, as shown and described.

DESCRIPTION

FIG. 1 is a perspective view of a laser device, showing my new design;
FIG. 2 is a front view thereof;
FIG. 3 is a rear view thereof;
FIG. 4 is a right side view thereof;
FIG. 5 is a left side view thereof;
FIG. 6 is a top view thereof;
FIG. 7 is a bottom view thereof; and,
FIG. 8 is a side perspective view thereof.
The dashed lines are included for illustrating interior and/or environmental structures and form no part of the claimed design.

1 Claim, 5 Drawing Sheets



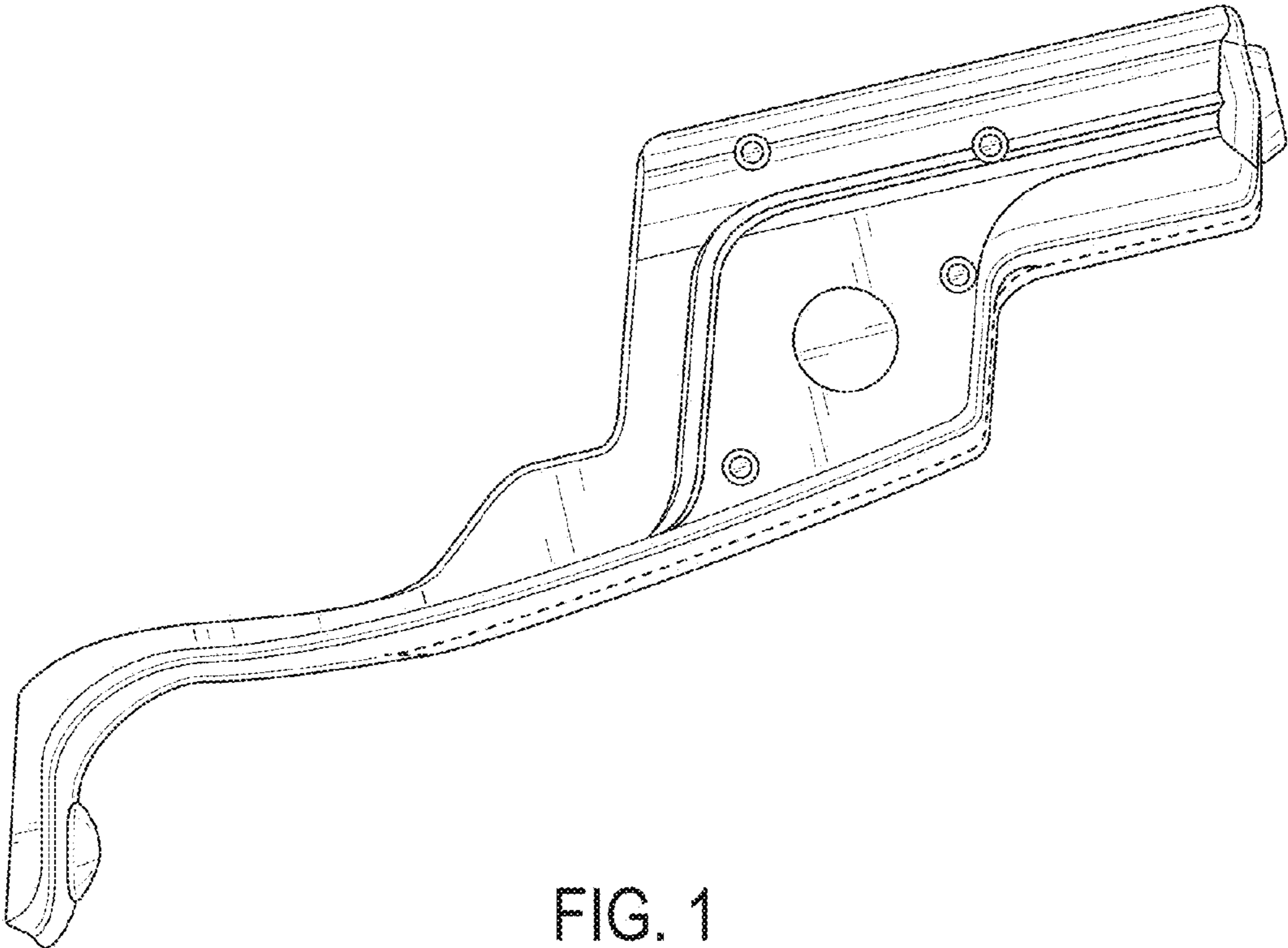


FIG. 1

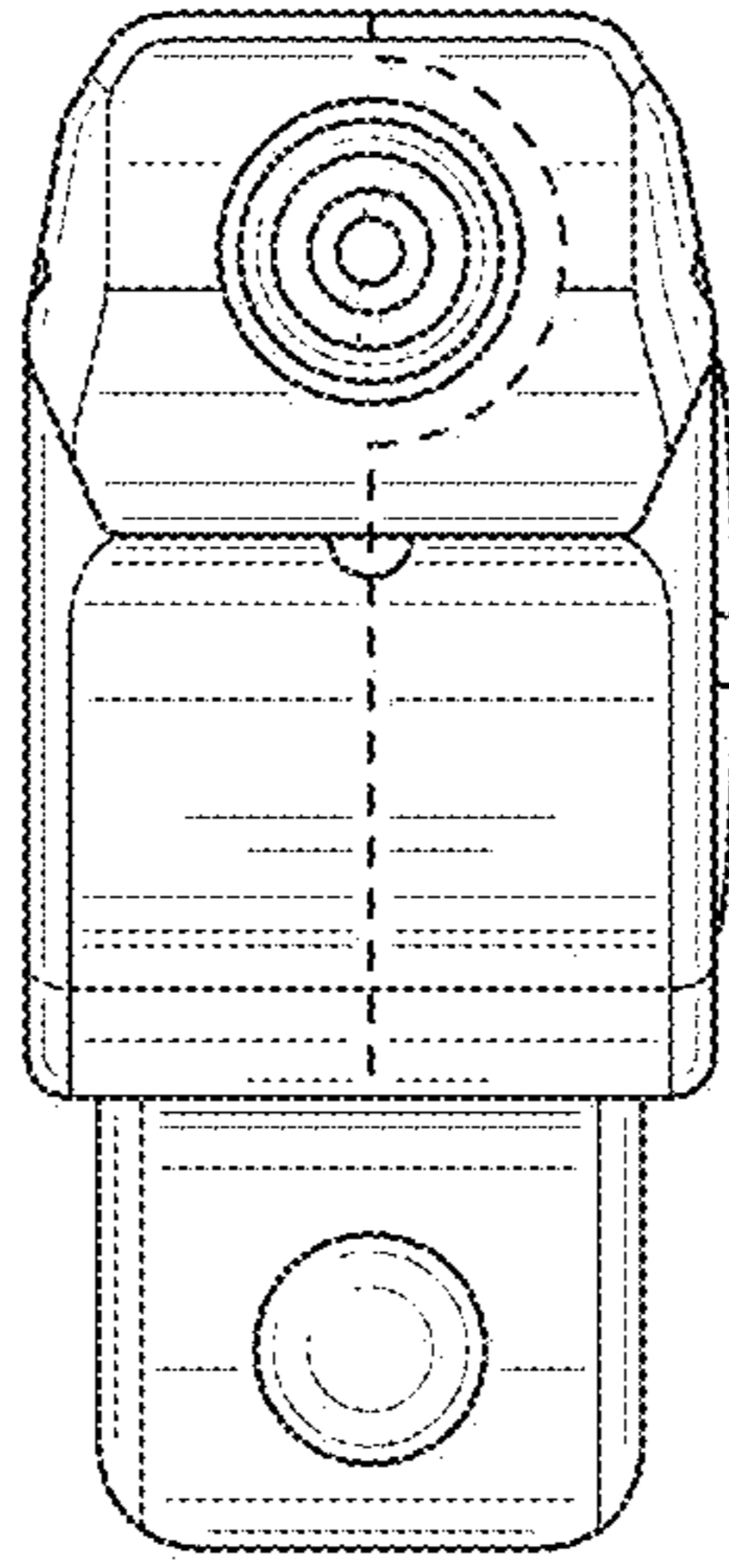


FIG. 2

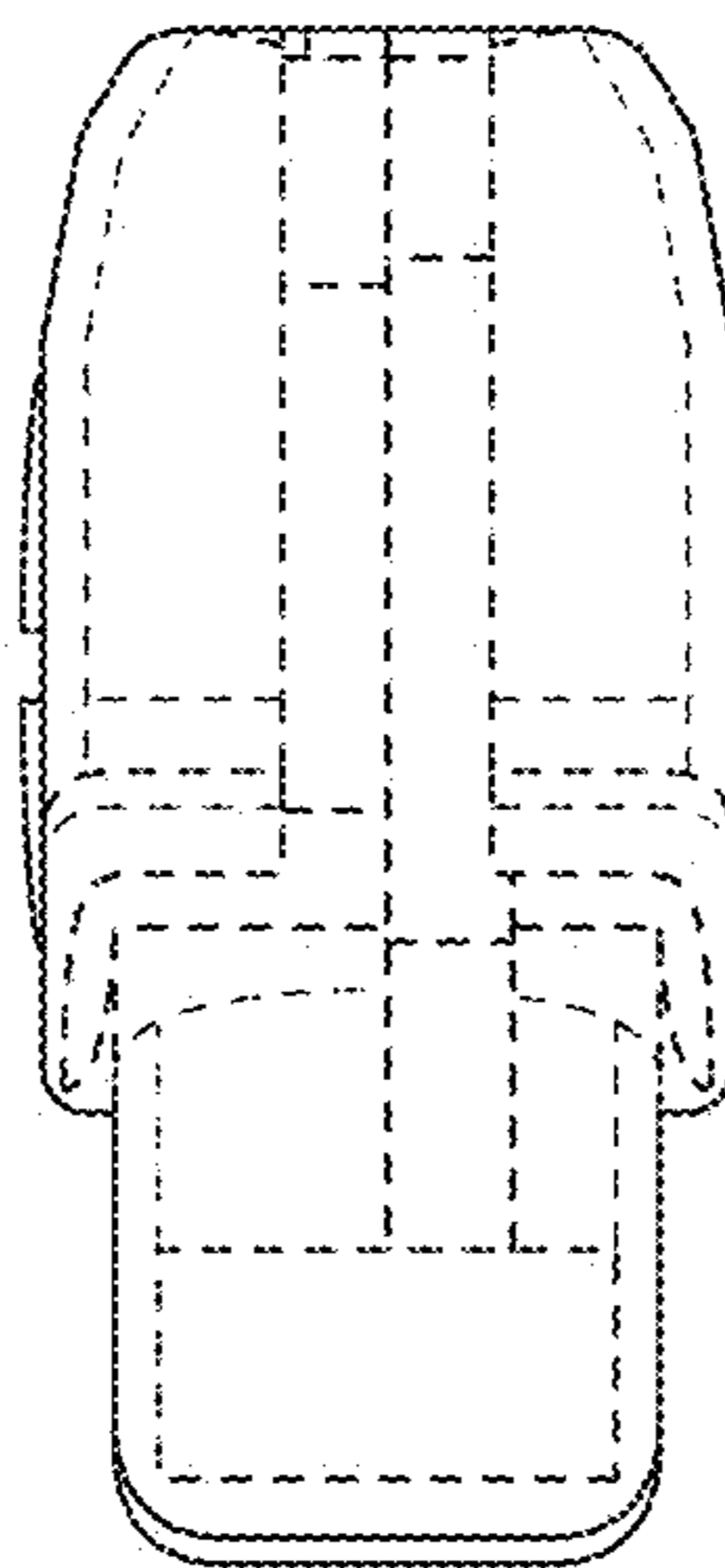


FIG. 3

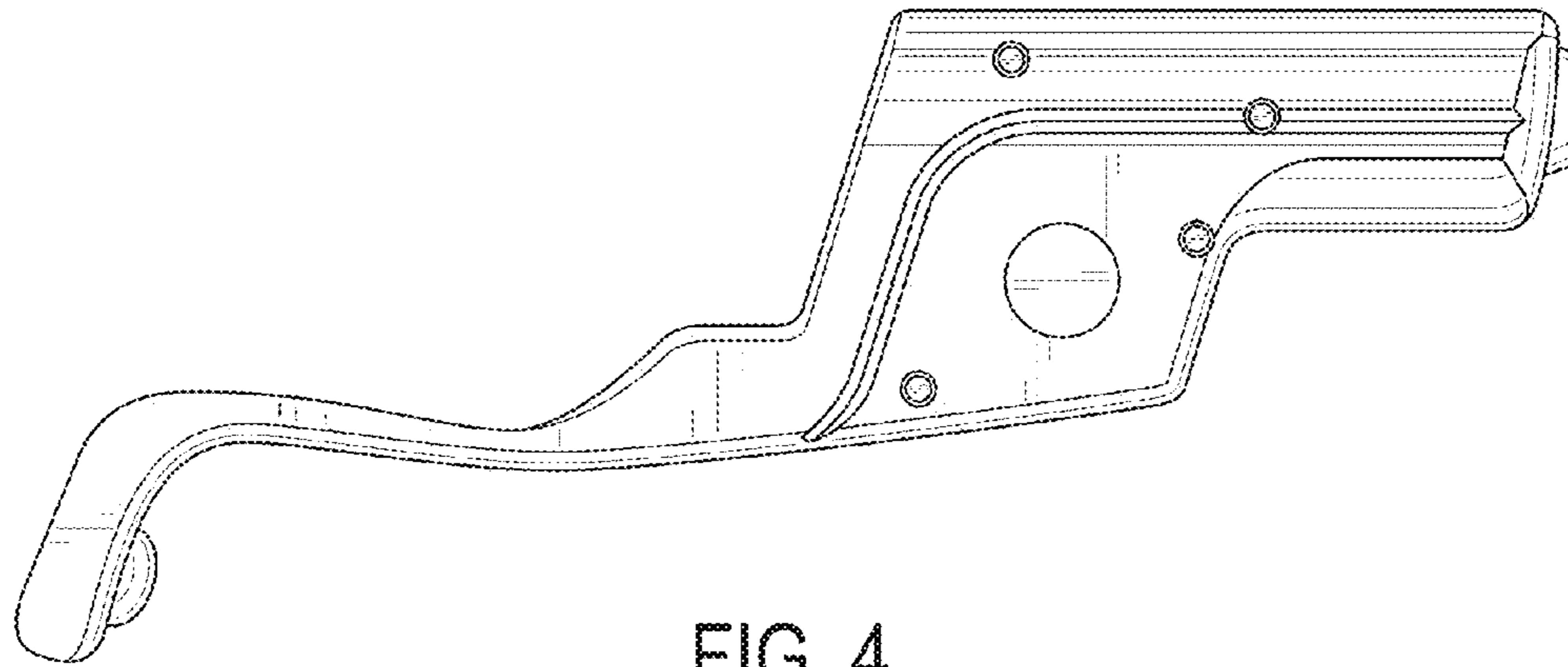


FIG. 4

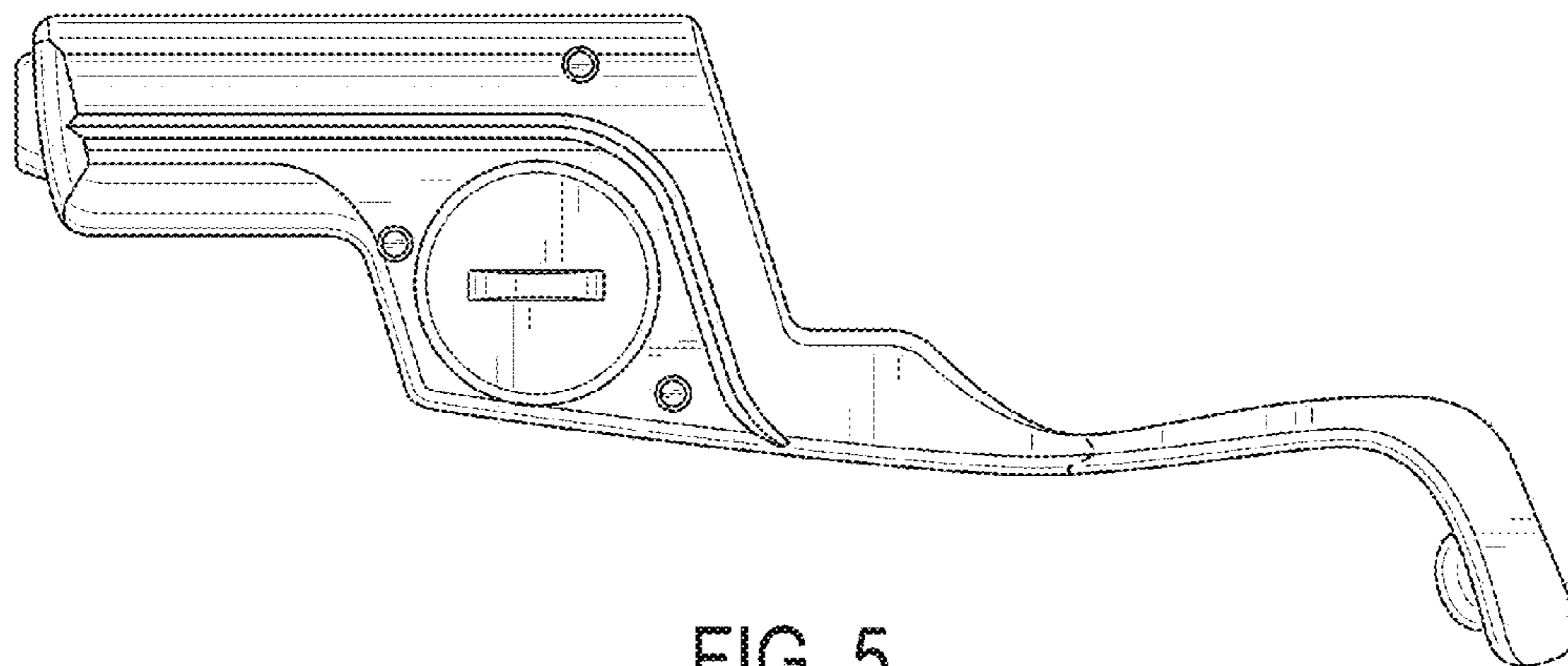


FIG. 5

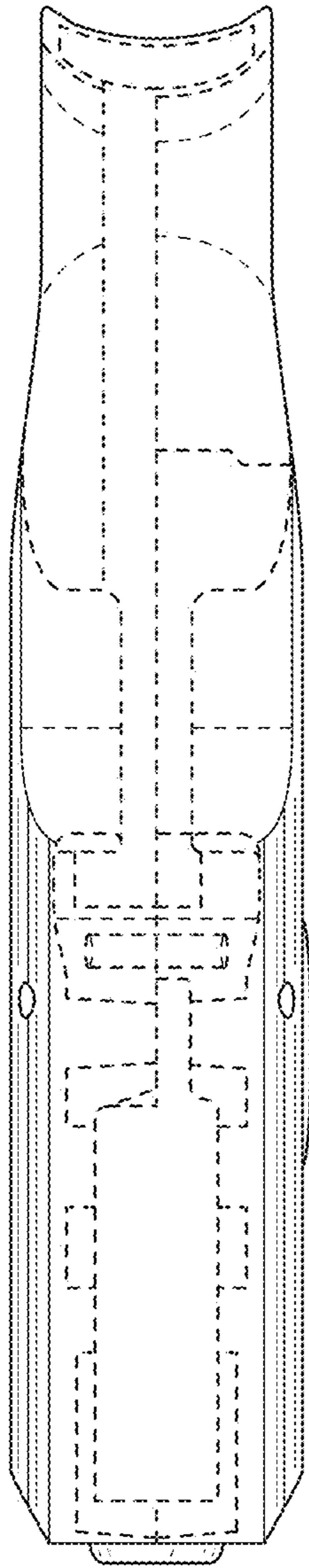


FIG. 6

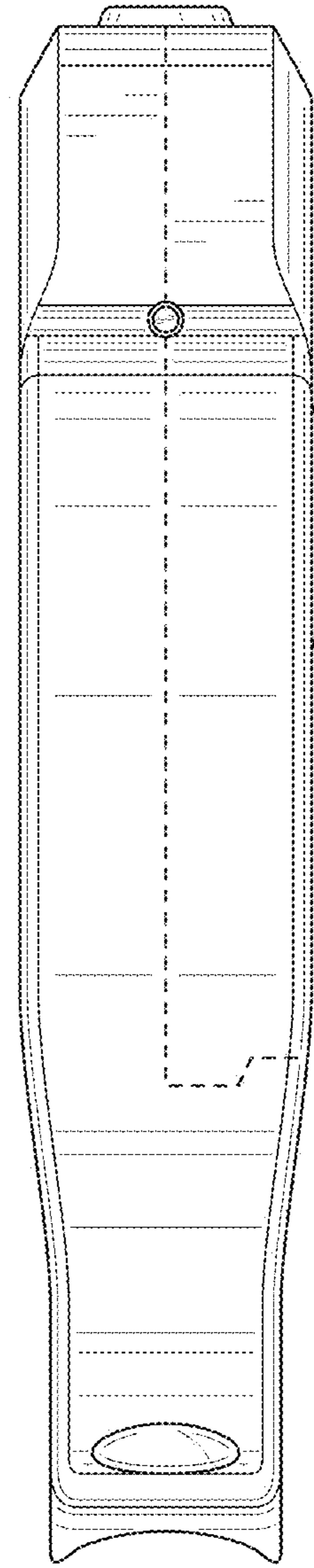


FIG. 7

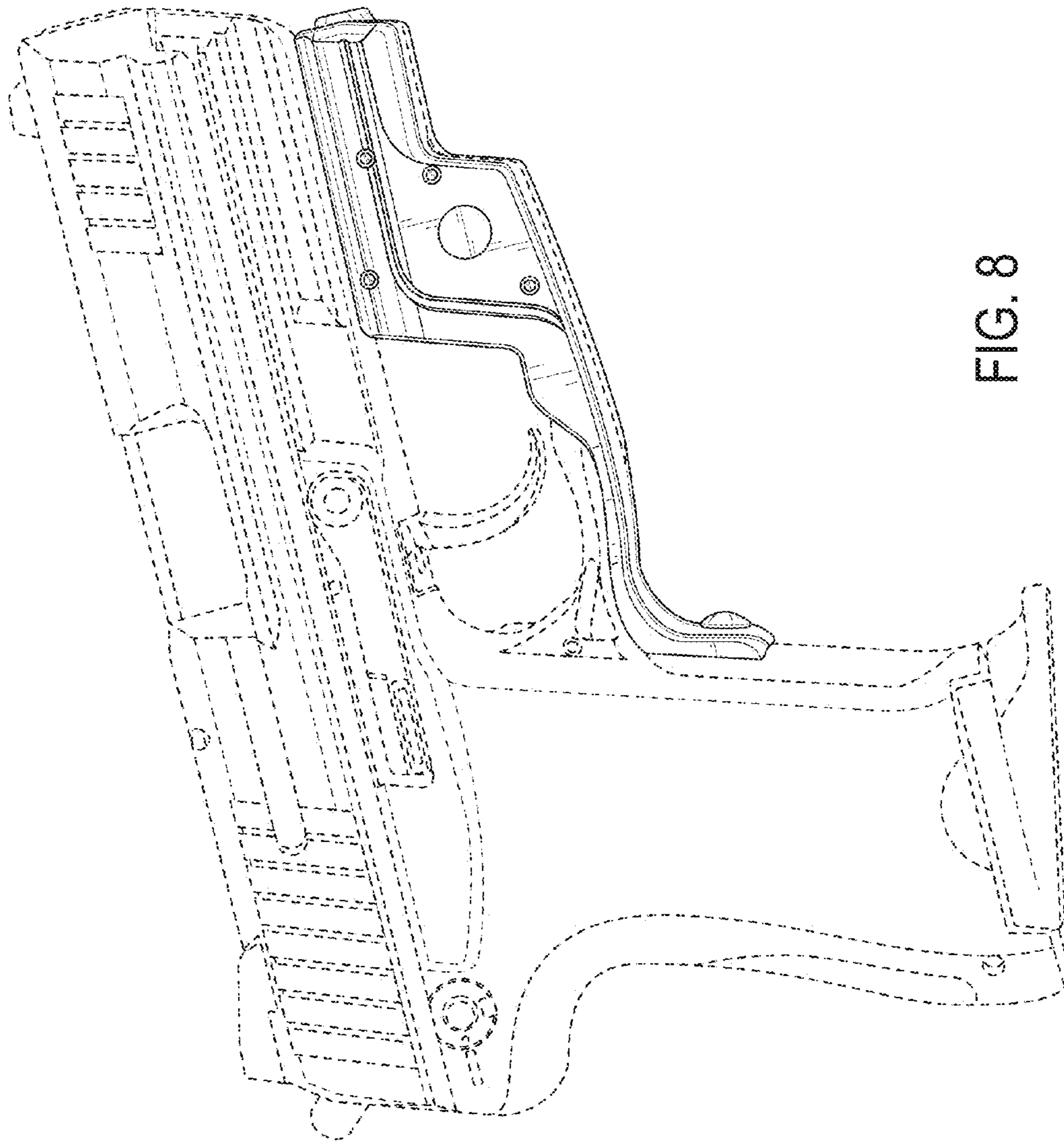


FIG. 8