



US00D687119S

(12) **United States Design Patent**
Dueck

(10) **Patent No.:** **US D687,119 S**
(45) **Date of Patent:** **** Jul. 30, 2013**

(54) **FIREARM ATTACHMENT**

(75) Inventor: **Barry W. Dueck**, Sunset Beach, CA
(US)

(73) Assignee: **SureFire, LLC**, Fountain Valley, CA
(US)

(**) Term: **14 Years**

(21) Appl. No.: **29/420,116**

(22) Filed: **May 4, 2012**

(51) **LOC (9) Cl.** **22-01**

(52) **U.S. Cl.**
USPC **D22/108**

(58) **Field of Classification Search**
USPC ... D22/108; D21/572-575; 181/223; 42/1.06,
42/107, 76.02-76.1; 89/14.1-14.8, 14.05,
89/177

See application file for complete search history.

(56) **References Cited**

U.S. PATENT DOCUMENTS

2,870,679	A *	1/1959	Collins	89/14.2
5,433,133	A *	7/1995	La France	89/14.2
5,596,161	A *	1/1997	Sommers	89/14.2
6,722,254	B1 *	4/2004	Davies	89/14.3
6,837,139	B2	1/2005	Meyers		
7,302,774	B2	12/2007	Meyers		
D577,410	S *	9/2008	Brittingham	D22/108

D610,221	S *	2/2010	Brittingham	D22/108
7,861,636	B1 *	1/2011	Hoffman	89/14.2
8,104,394	B2	1/2012	Meyers		
D666,687	S *	9/2012	Nierenberg	D22/108
2010/0282056	A1 *	11/2010	Hung	89/14.2
2012/0180352	A1 *	7/2012	Addis	42/1.06

* cited by examiner

Primary Examiner — Michael A Pratt

(74) *Attorney, Agent, or Firm* — Haynes and Boone, LLP

(57) **CLAIM**

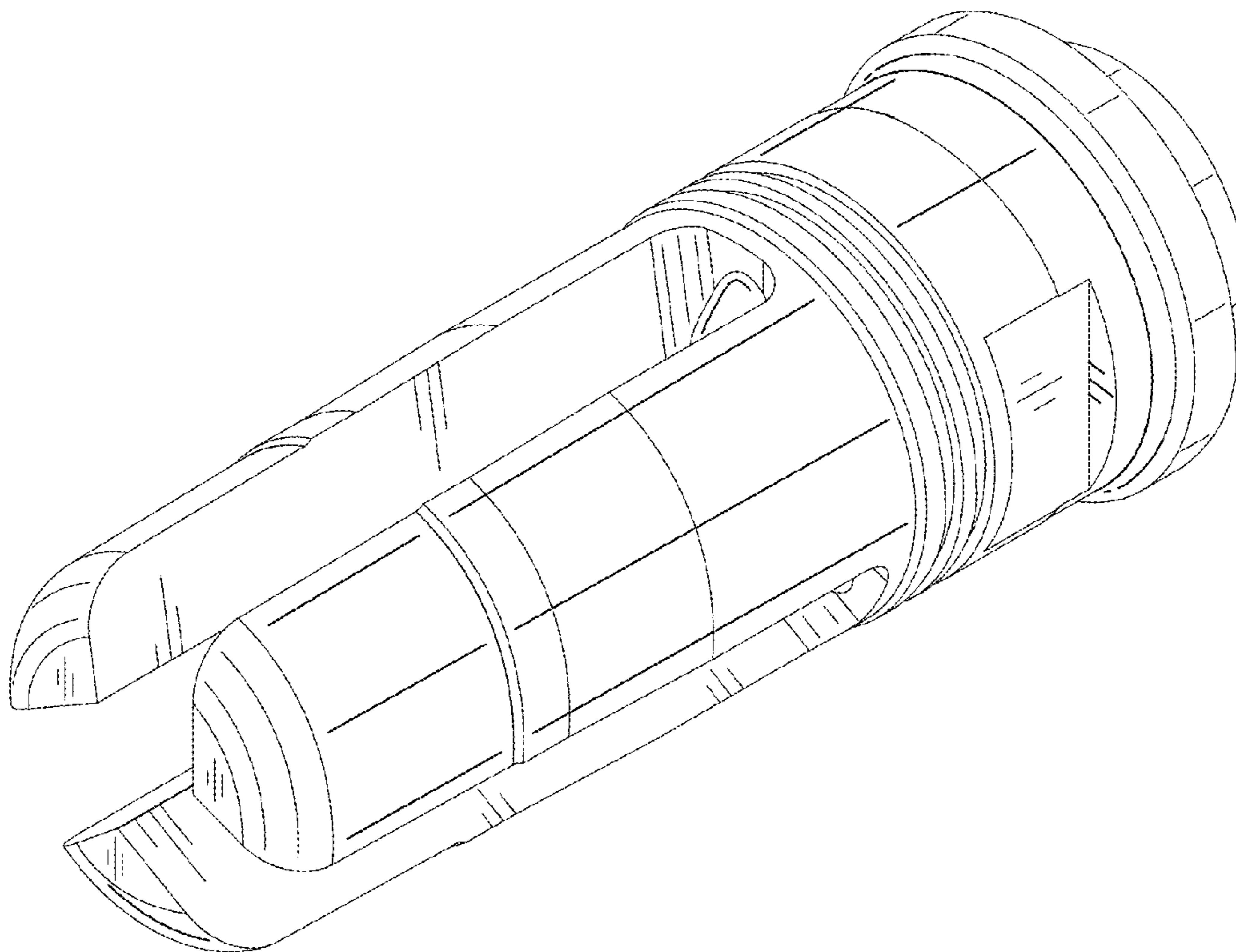
The ornamental design for a firearm attachment, as shown and described.

DESCRIPTION

FIG. 1 is a front perspective view of a firearm attachment showing the new design;
FIG. 2 is a rear perspective view thereof;
FIG. 3 is a left side elevational view thereof;
FIG. 4 is a right side elevational view thereof;
FIG. 5 is a top plan view thereof;
FIG. 6 is a bottom plan view thereof;
FIG. 7 is a front side elevational view thereof; and
FIG. 8 is a rear side elevational view thereof; and,
FIG. 9 is a right side elevational view of the firearm attachment mounted on an example firearm.

The broken lines in the drawings illustrate environmental features and form no part of the claimed design.

1 Claim, 9 Drawing Sheets



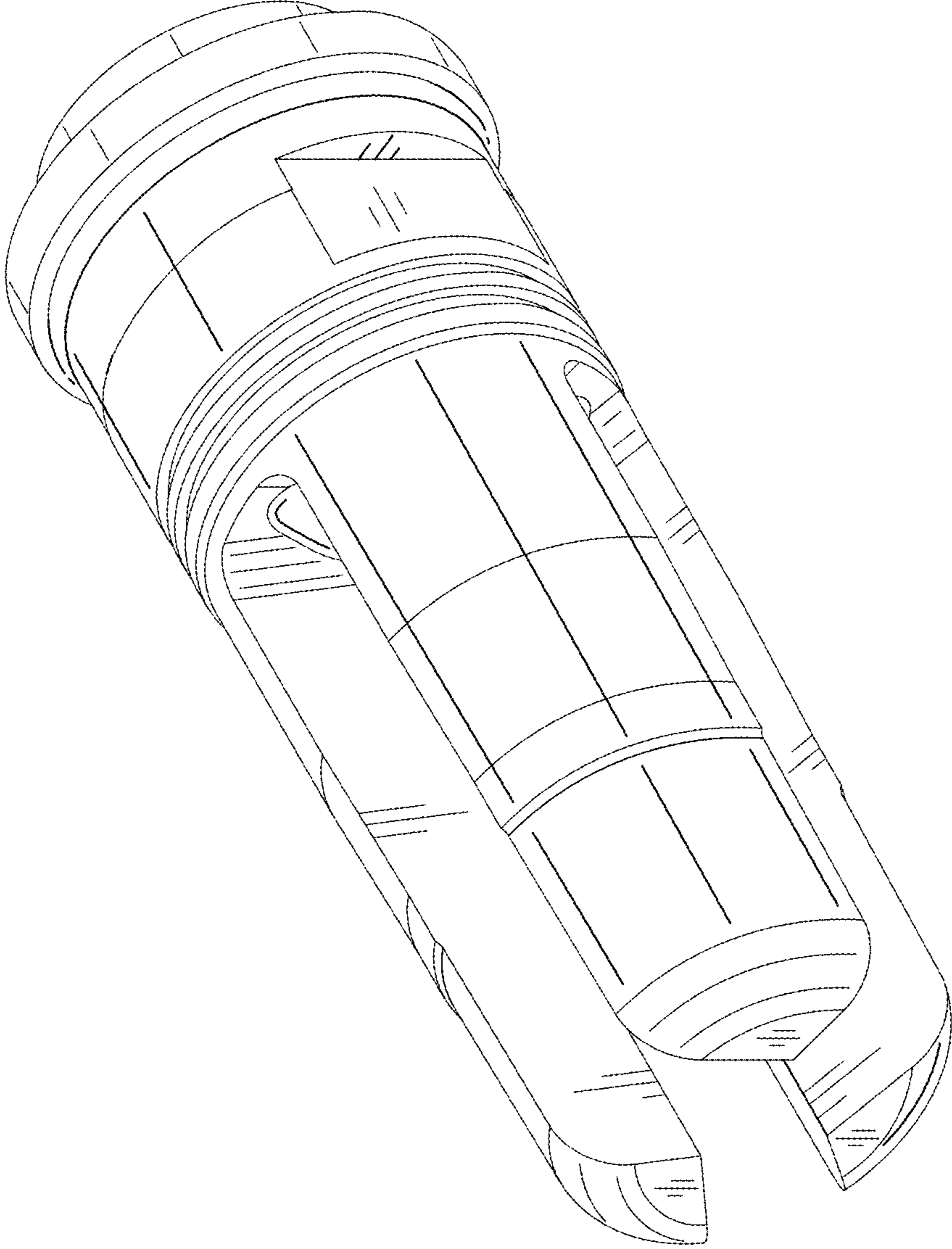


FIG. 1

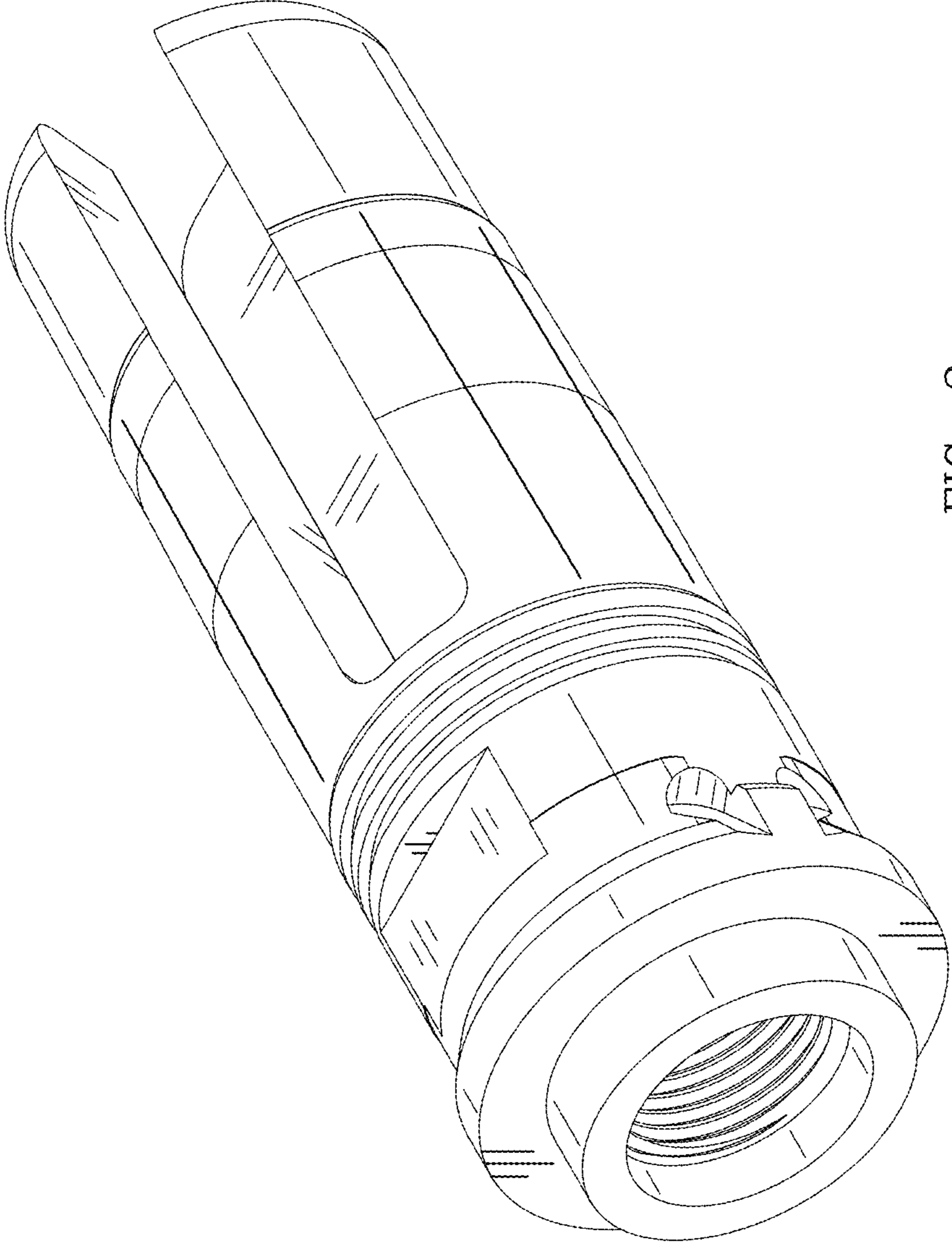


FIG. 2

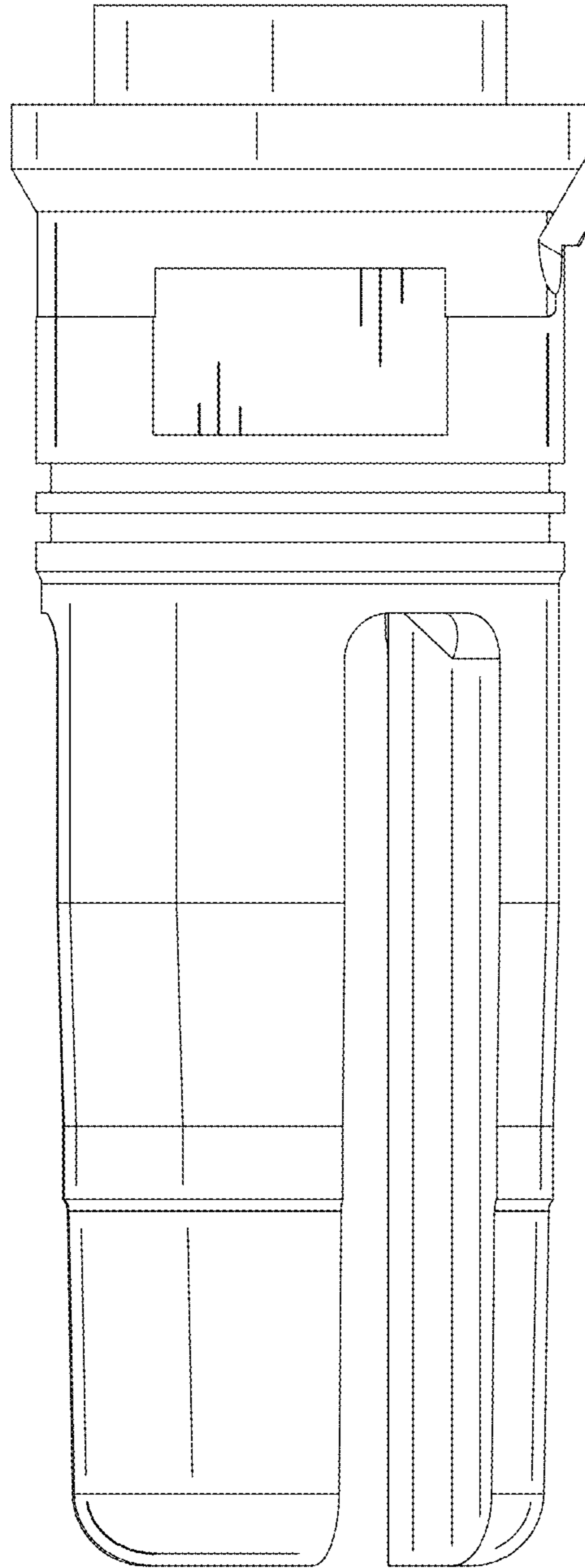


FIG. 3

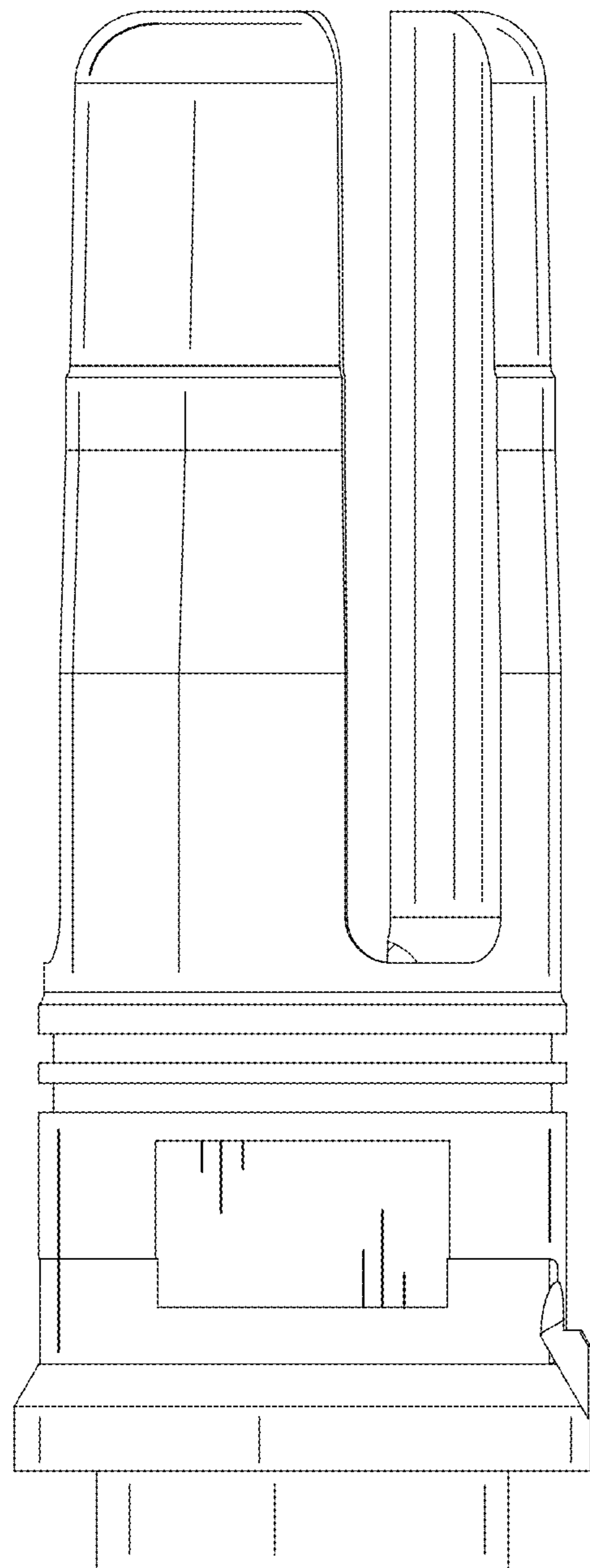


FIG. 4

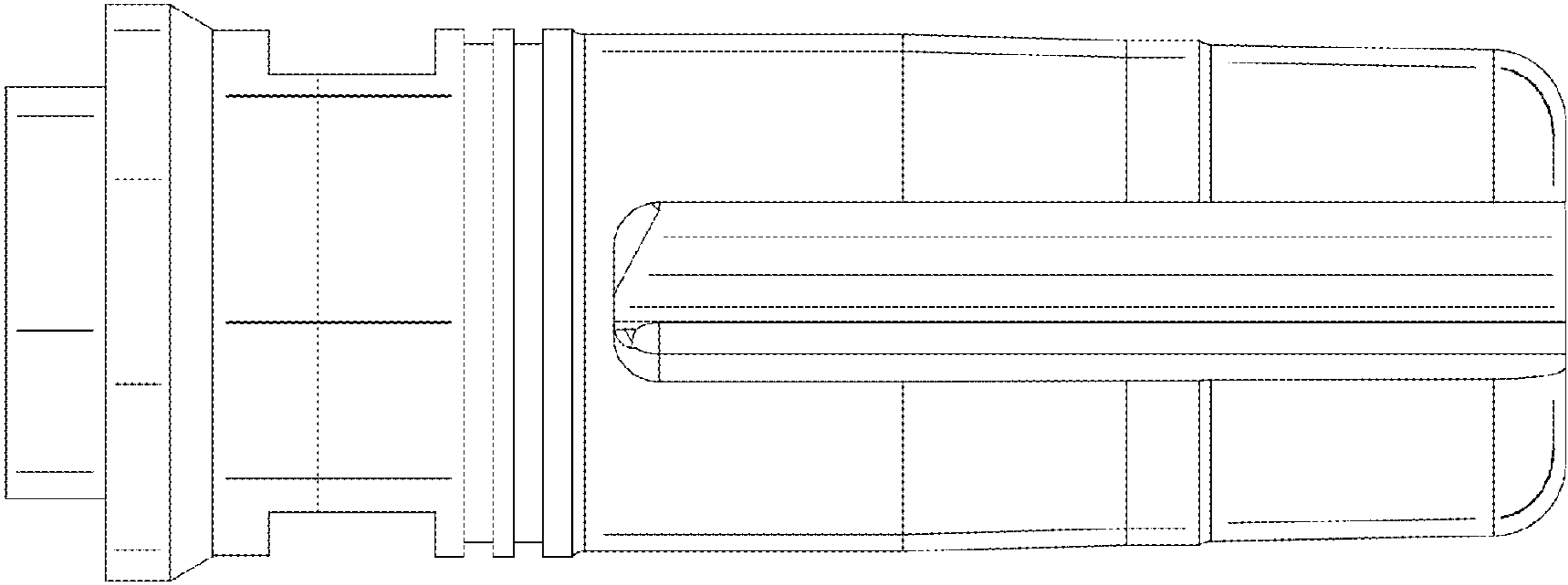


FIG. 5

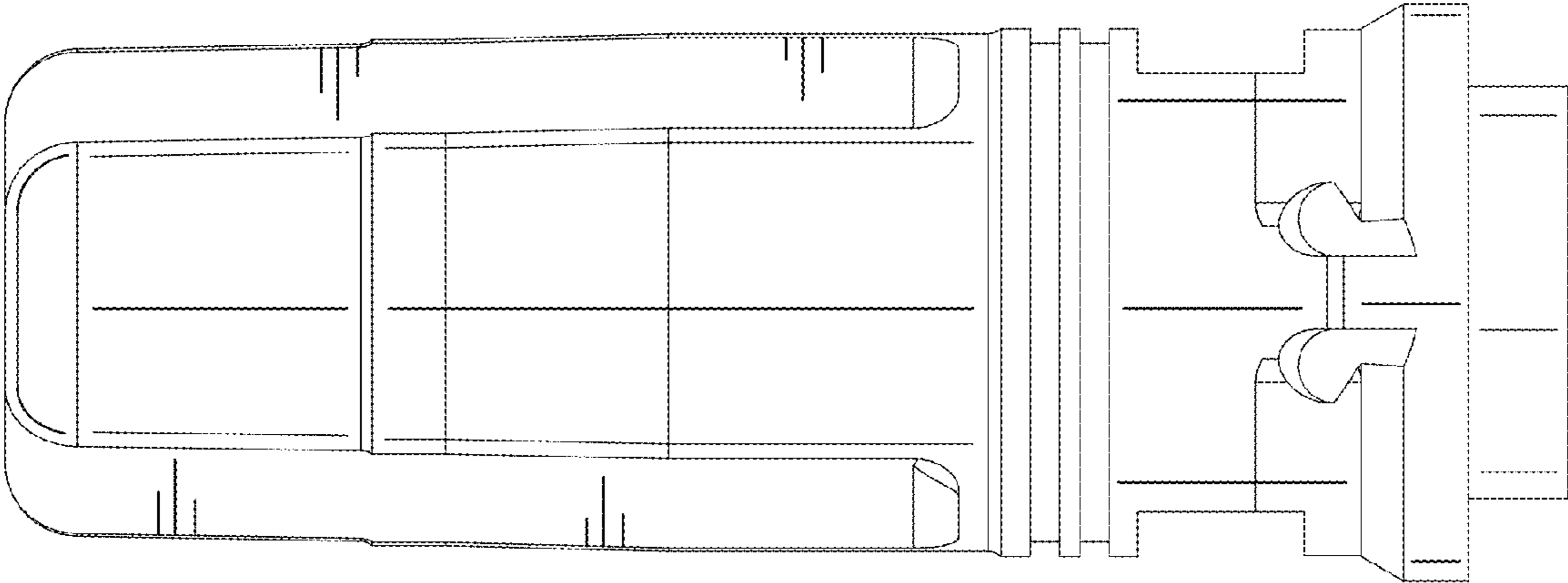


FIG. 6

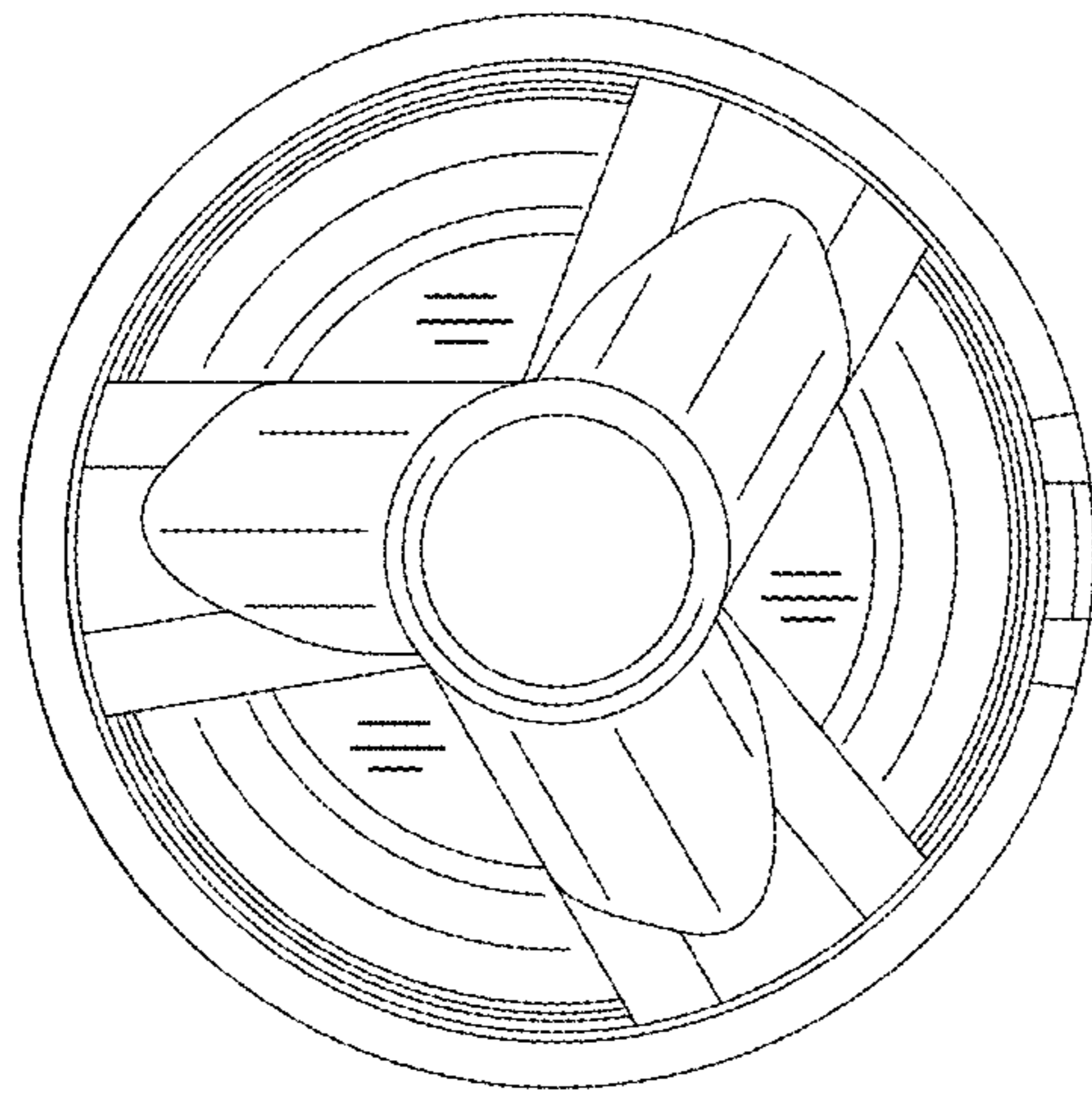


FIG. 7

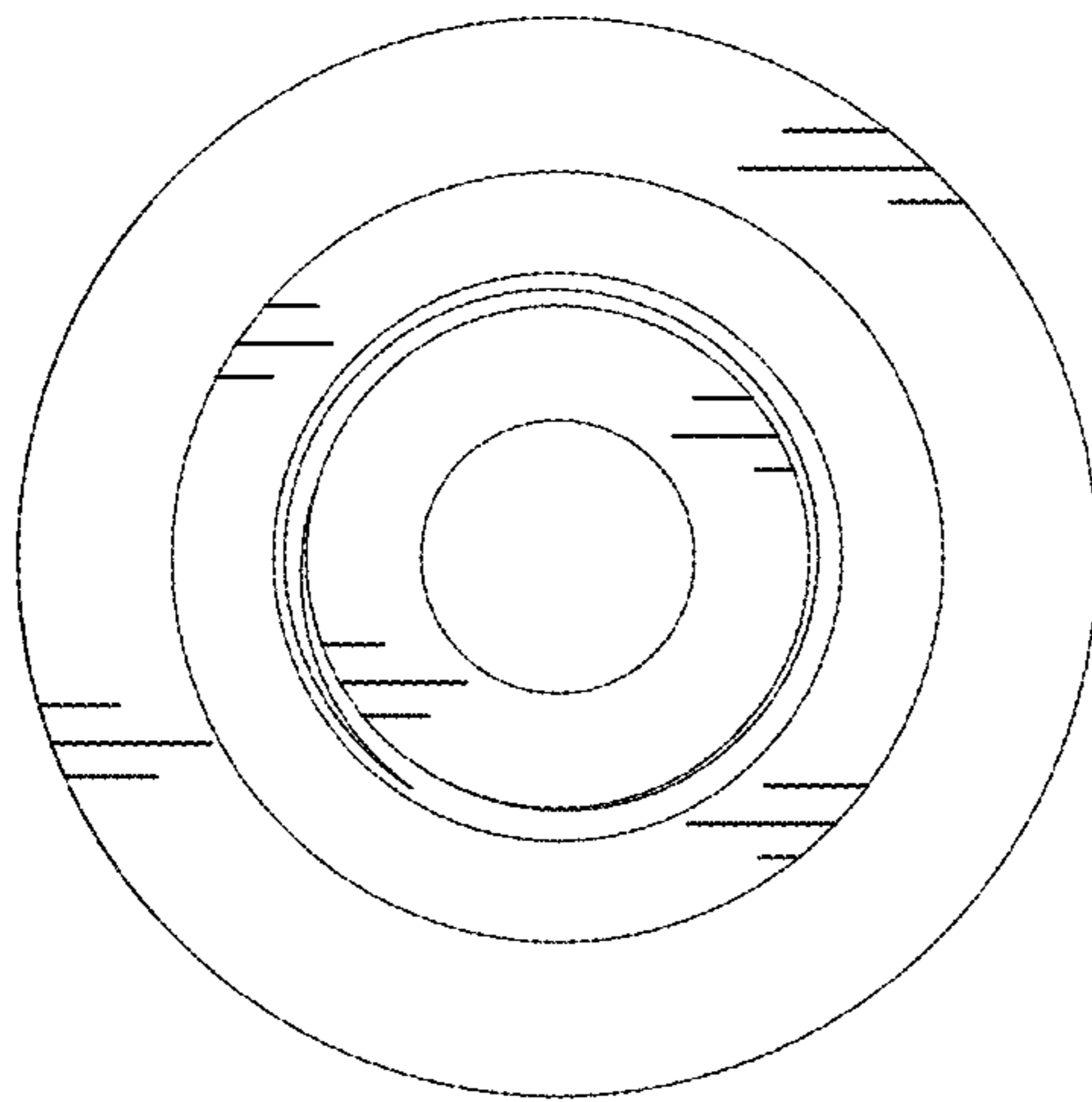


FIG. 8

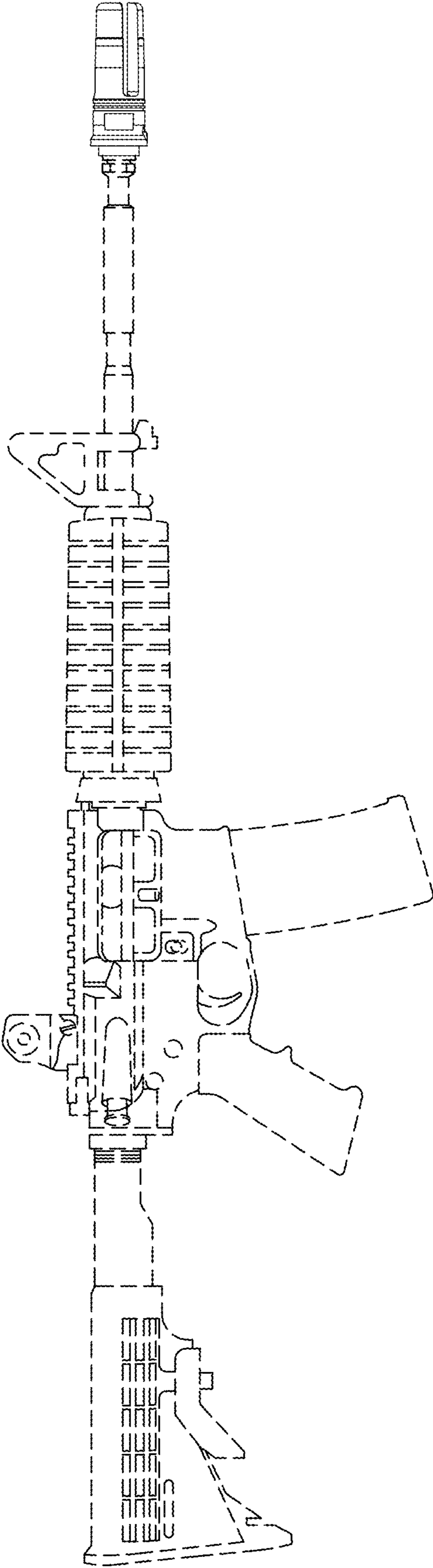


FIG. 9