



US00D687117S

(12) **United States Design Patent**
Yigit

(10) **Patent No.:** **US D687,117 S**
(45) **Date of Patent:** **** Jul. 30, 2013**

(54) **PISTOL**
(75) Inventor: **Zafer Yigit**, Istanbul (TR)
(73) Assignee: **Atak Silah Sanayi Ve Ticaret Limited Sirketti**, Istanbul (TR)
(**) Term: **14 Years**
(21) Appl. No.: **29/423,630**
(22) Filed: **Jun. 3, 2012**
(51) **LOC (9) Cl.** **22-01**
(52) **U.S. Cl.**
USPC **D22/104**
(58) **Field of Classification Search**
USPC D22/104; D21/572-575; 89/40.06,
89/41.19, 37.04, 33.04, 191.01, 200-204;
124/67, 66, 72, 74
See application file for complete search history.

D579,072 S 10/2008 McGarry
D583,896 S 12/2008 McGarry
D593,629 S * 6/2009 Bantle et al. D22/104
D597,625 S 8/2009 Pflaumer et al.
D598,065 S 8/2009 Vukovic et al.
D599,430 S 9/2009 Siddle et al.
D627,028 S 11/2010 Coulombier
D650,880 S * 12/2011 McGarry D22/104
D651,275 S 12/2011 Emde et al.
D654,978 S * 2/2012 Karanian et al. D22/104
2010/0275491 A1* 11/2010 Leiter et al. 42/76.01

* cited by examiner

Primary Examiner — Michael A Pratt
(74) *Attorney, Agent, or Firm* — ARC IP Law, PC; Joseph J. Mayo

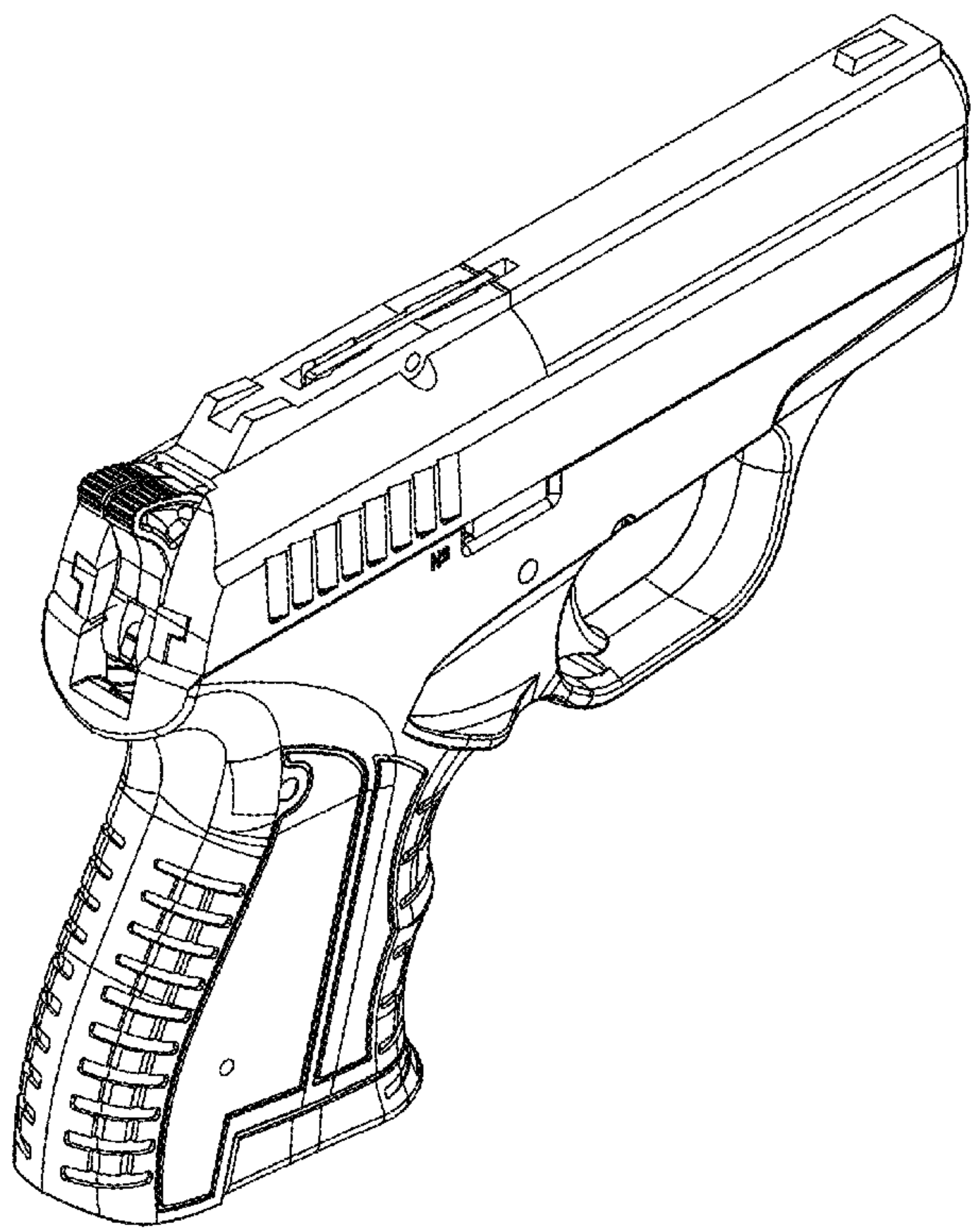
(57) **CLAIM**
The ornamental design for a pistol, as shown and described.

DESCRIPTION

FIG. 1 is an isometric right rear view of the pistol.
FIG. 2 is an isometric left rear view of the pistol.
FIG. 3 is an isometric right front view of the pistol.
FIG. 4 is an isometric left front view of the pistol.
FIG. 5 is a right side view of the pistol.
FIG. 6 is a left side view of the pistol.
FIG. 7 is a top view of the pistol.
FIG. 8 is a bottom view of the pistol.
FIG. 9 is a front view of the pistol; and,
FIG. 10 is a rear view of the pistol.

1 Claim, 10 Drawing Sheets

(56) **References Cited**
U.S. PATENT DOCUMENTS
D359,098 S 6/1995 Stevens
D387,841 S 12/1997 Hochstrate et al.
D387,842 S 12/1997 Kaminski et al.
D430,916 S 9/2000 Bubits
D479,570 S 9/2003 Scheunert
D505,475 S 5/2005 Salva
D505,476 S 5/2005 McGarry
7,290,539 B2 * 11/2007 Maeda et al. 124/74
D574,053 S * 7/2008 McGarry D22/104



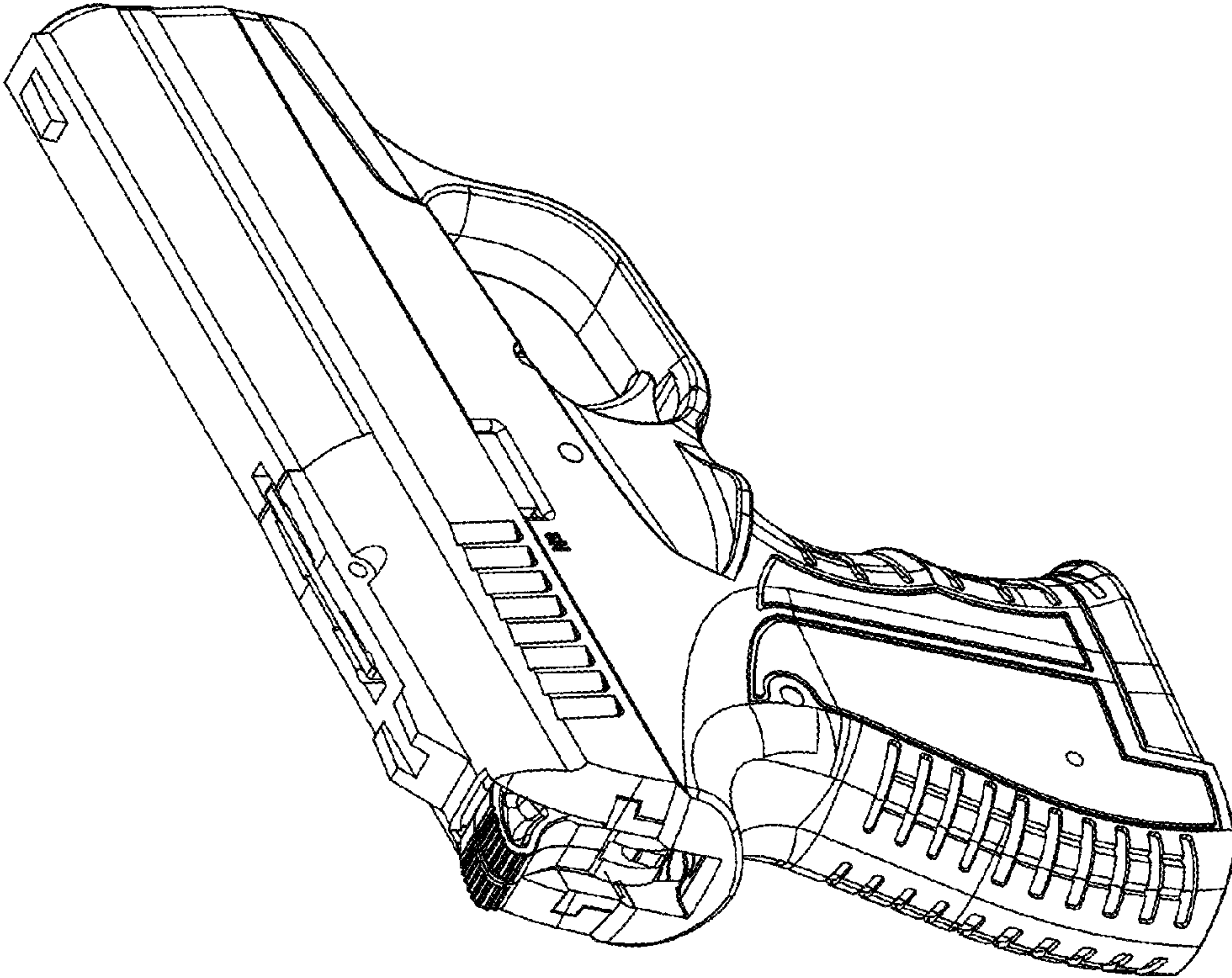


FIG. 1

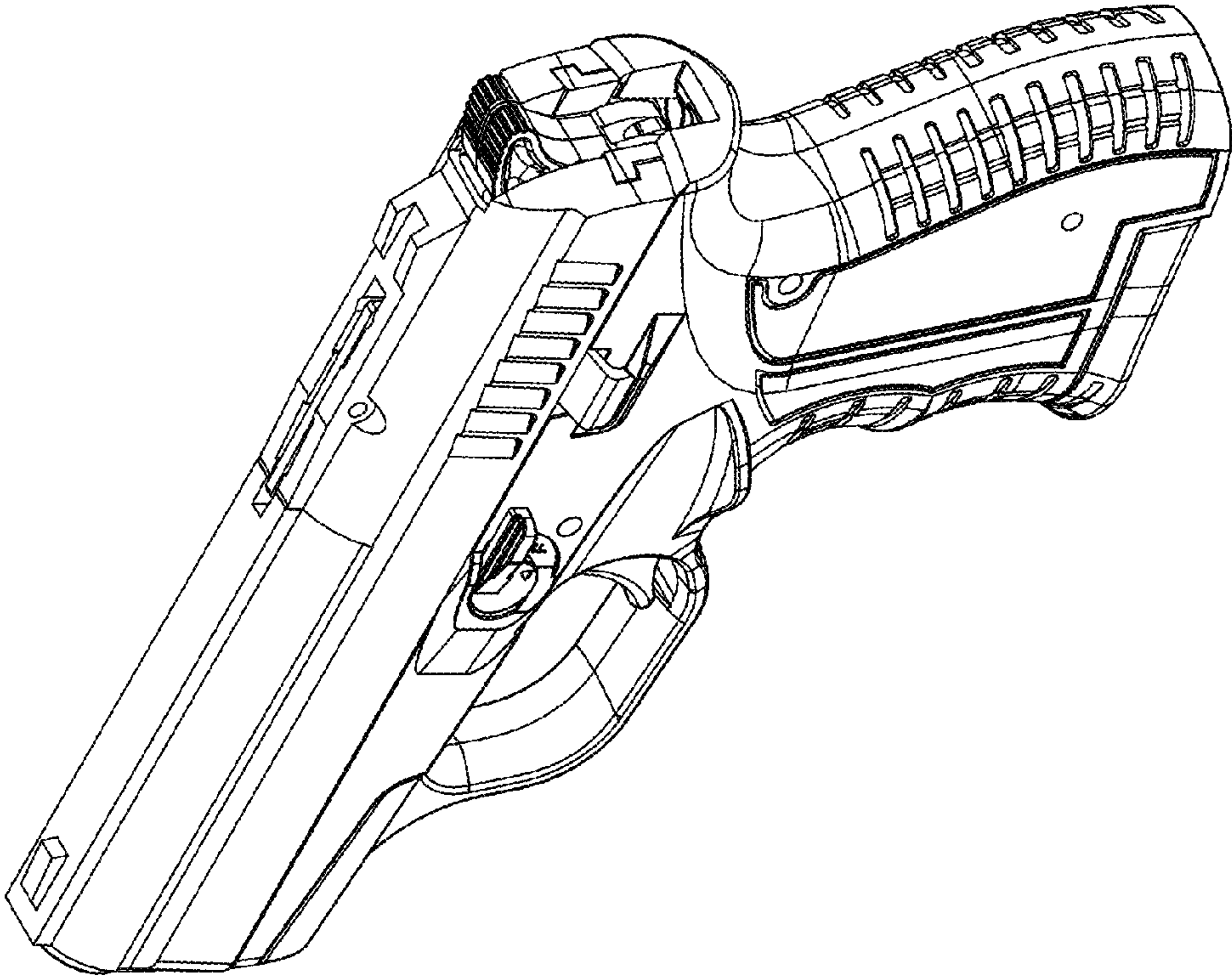


FIG. 2

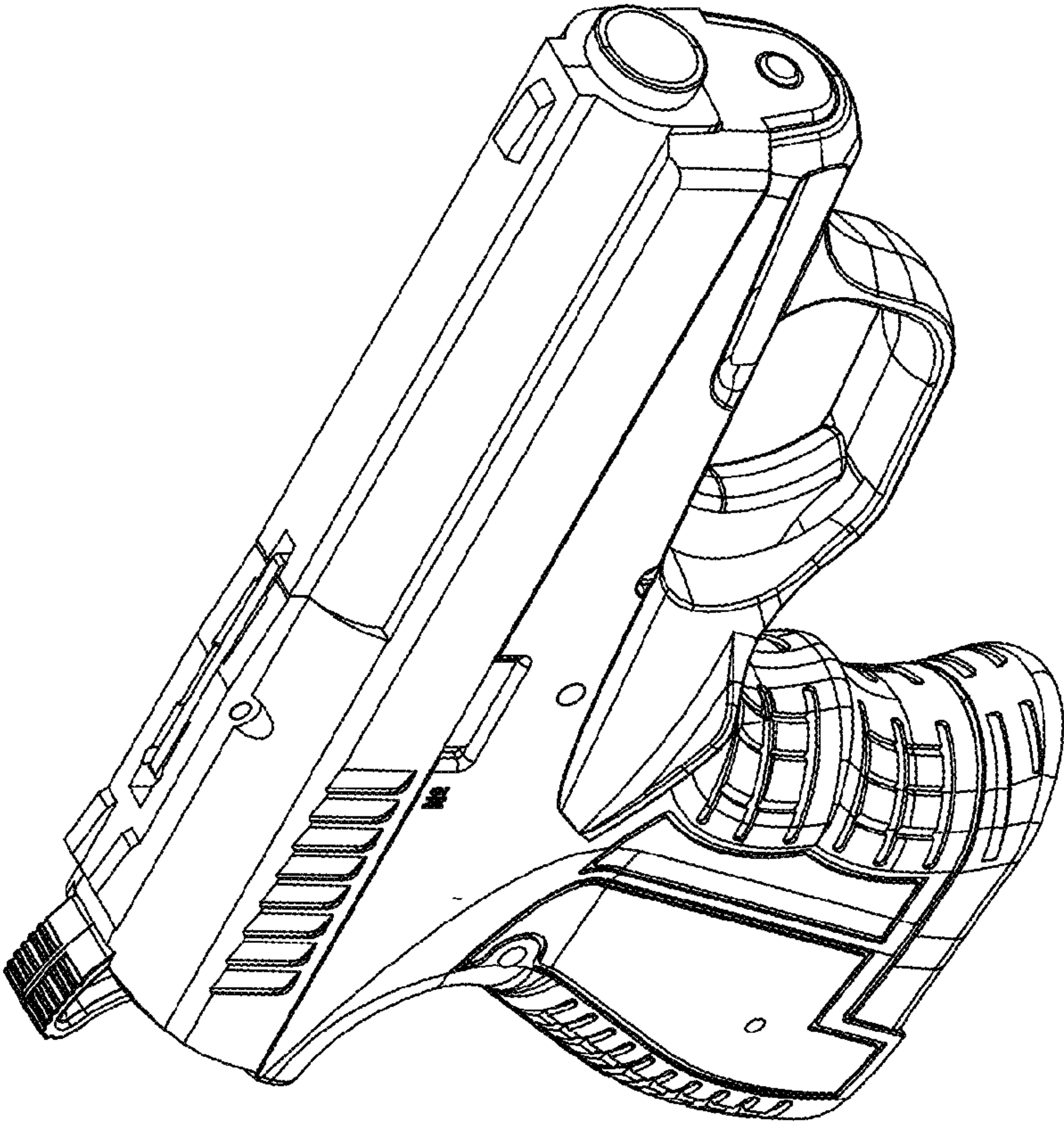


FIG. 3

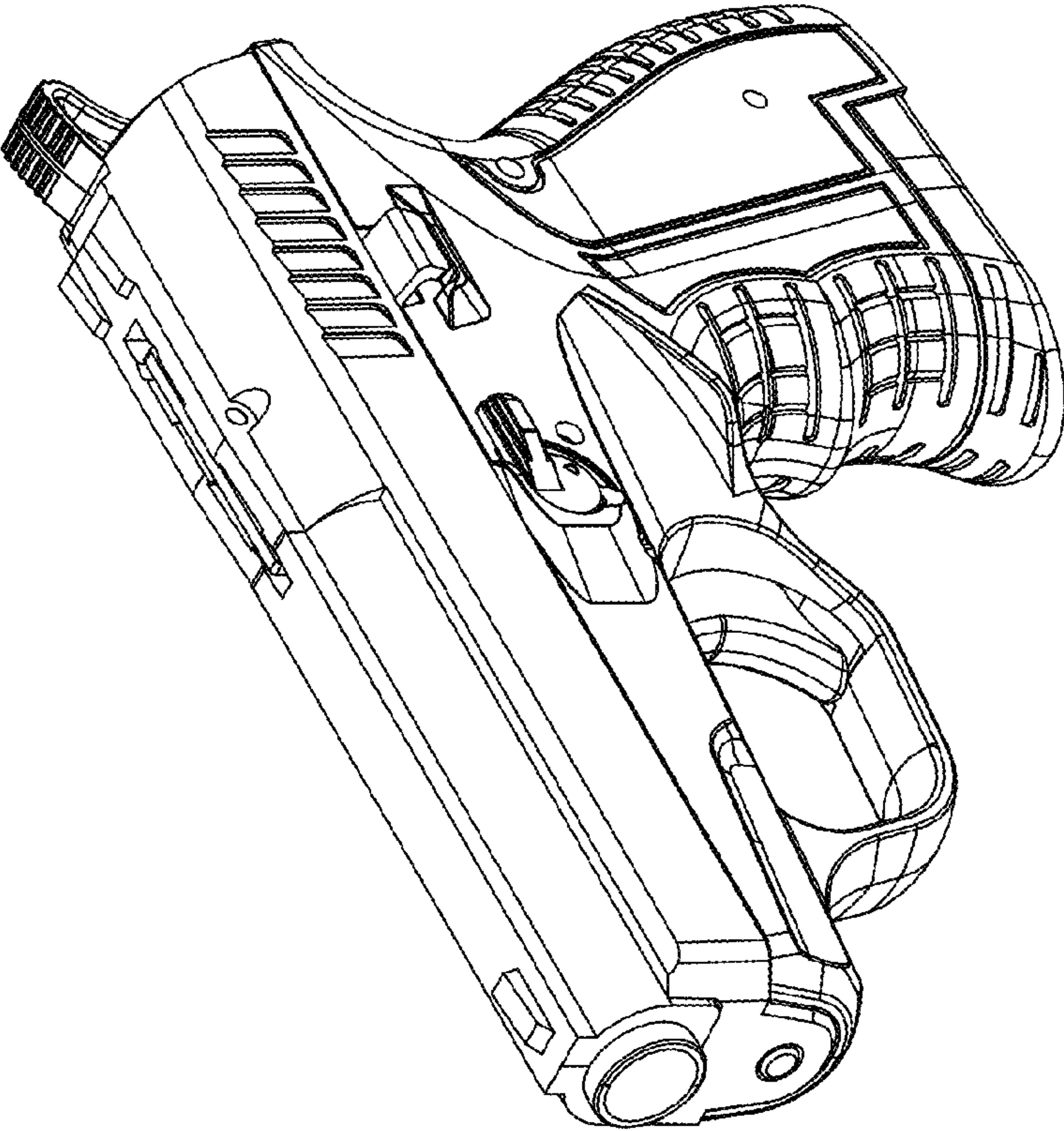


FIG. 4

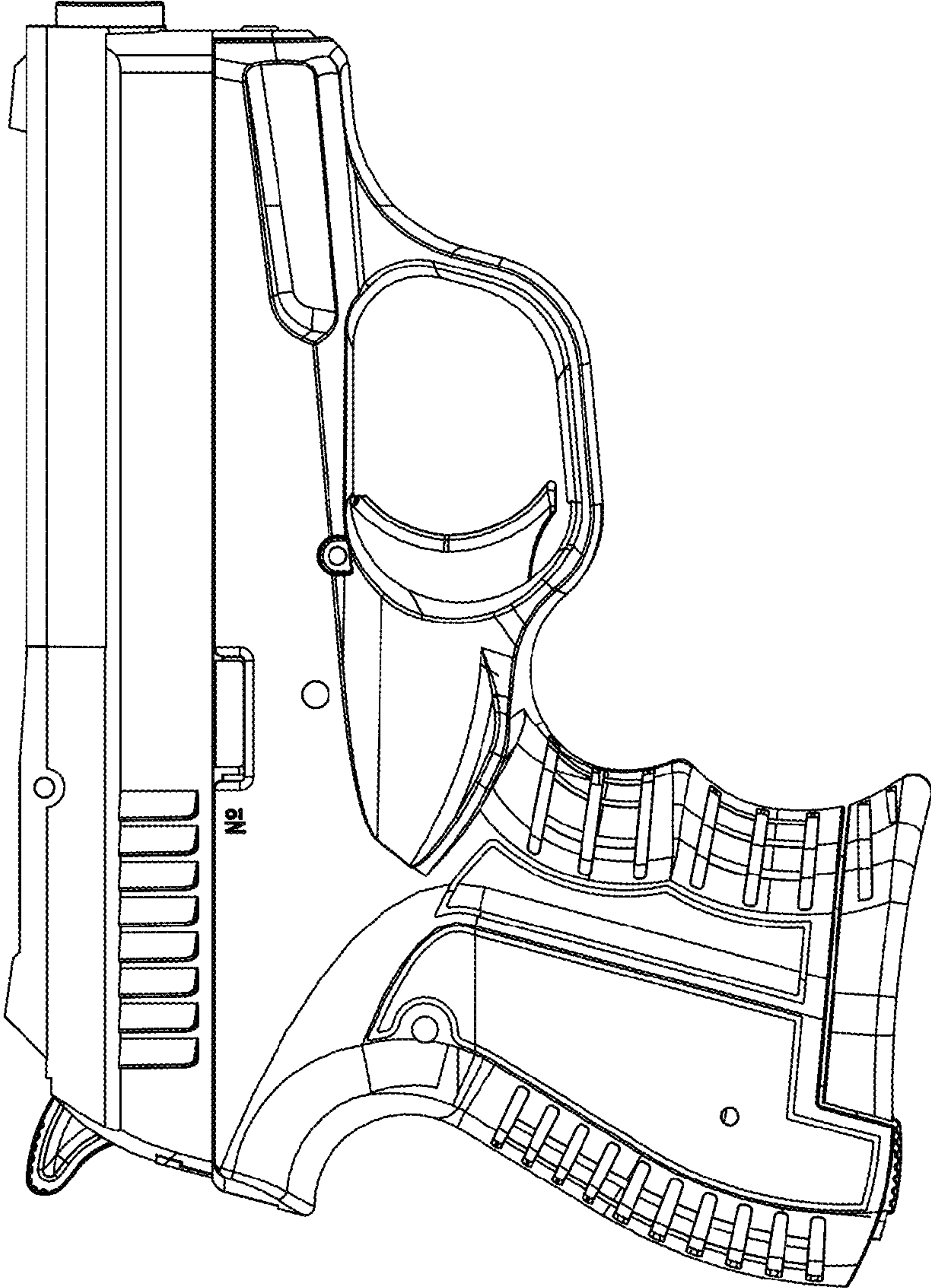


FIG. 5

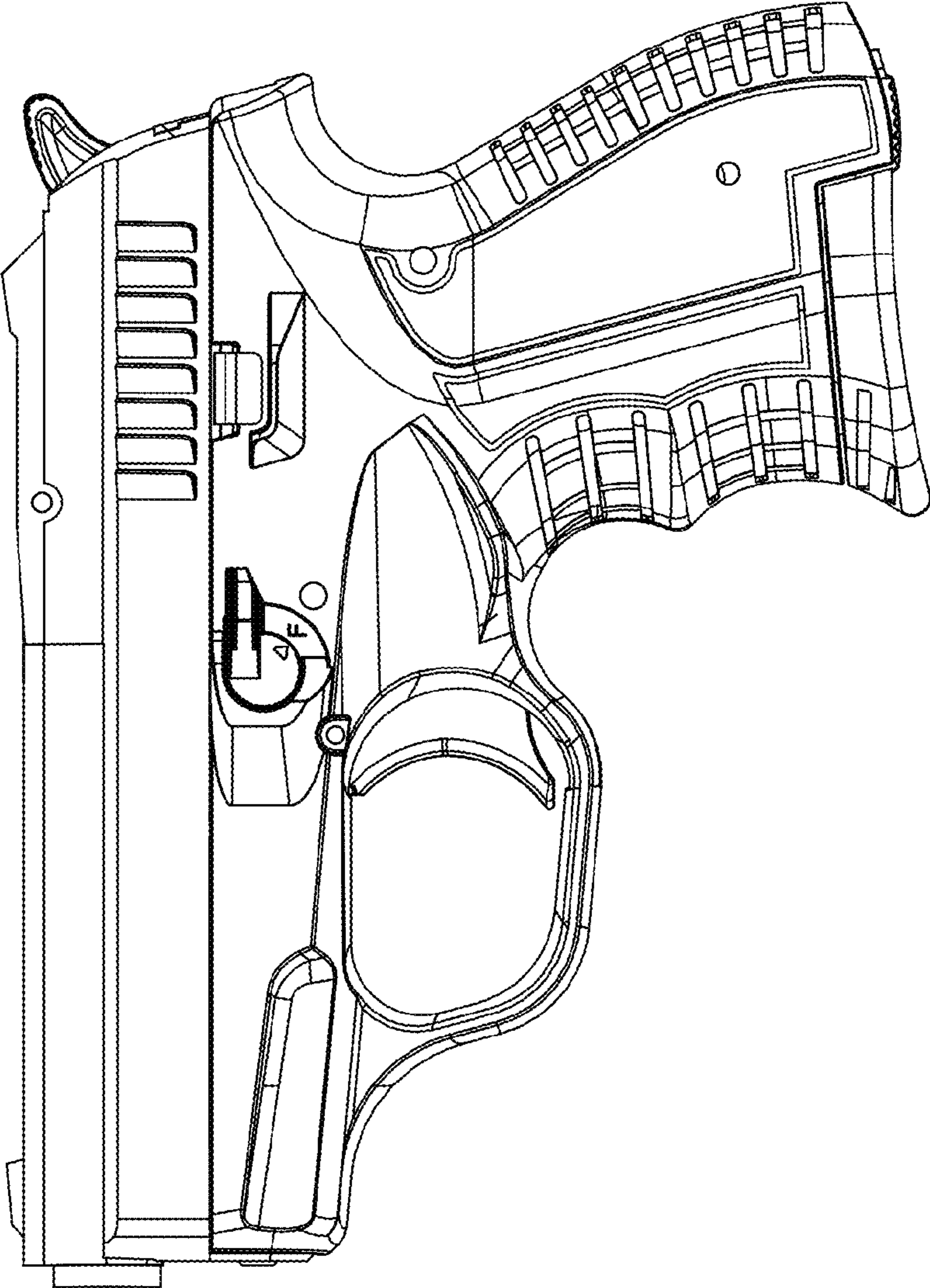


FIG. 6

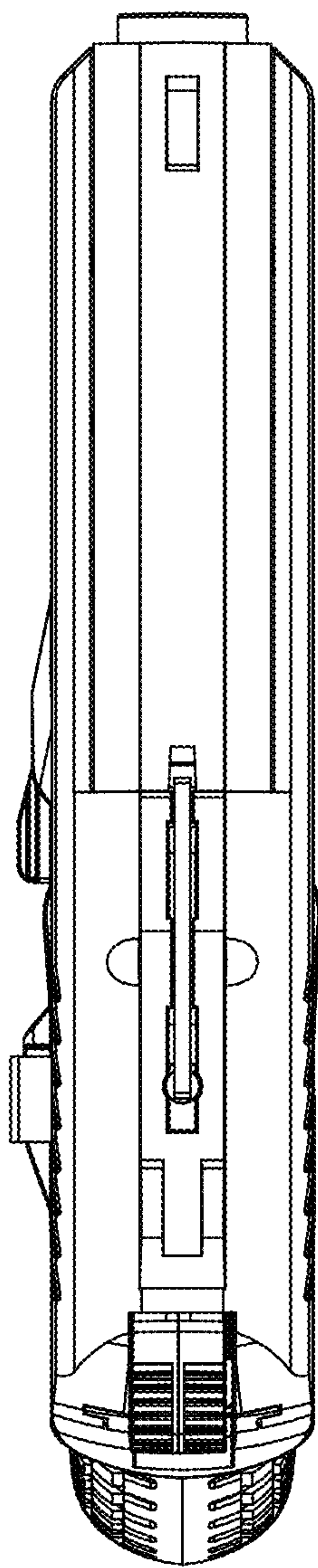


FIG. 7

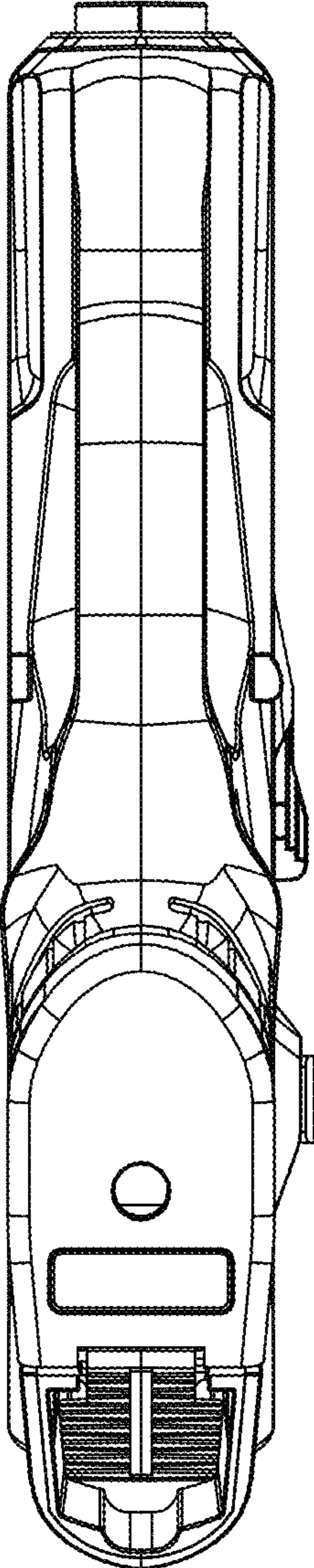


FIG. 8

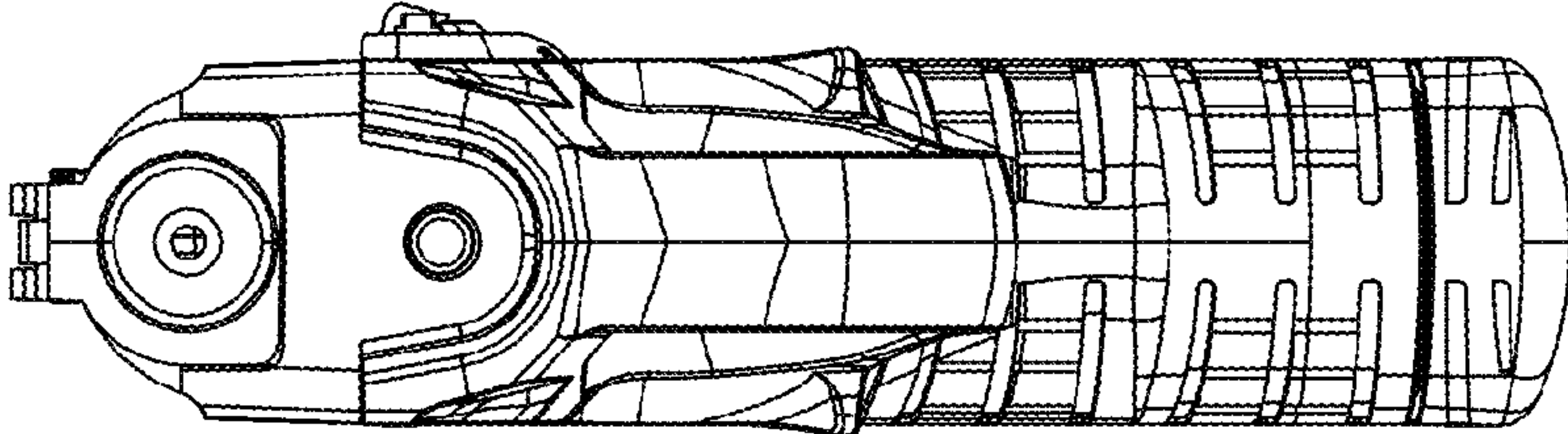


FIG. 9

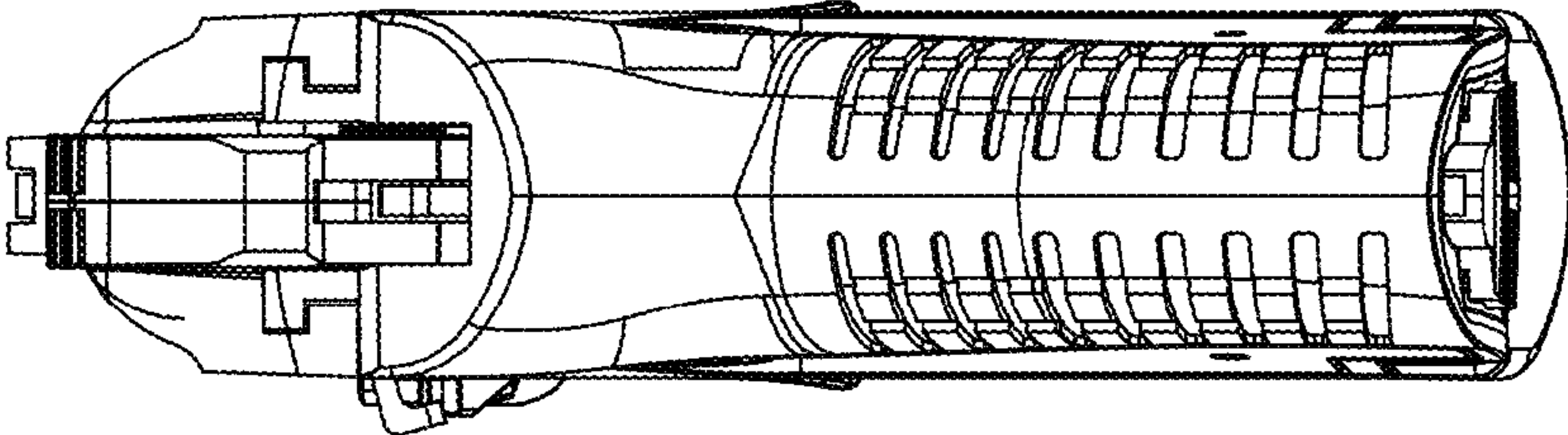


FIG. 10