



US00D687115S

(12) **United States Design Patent**
Mayaud

(10) **Patent No.:** **US D687,115 S**

(45) **Date of Patent:** **** *Jul. 30, 2013**

(54) **SWIMMING BRACE SUPPORT**

(76) Inventor: **Christophe Mayaud**, Sorgues (FR)

(*) Notice: This patent is subject to a terminal disclaimer.

(**) Term: **14 Years**

(21) Appl. No.: **29/319,858**

(22) Filed: **Jun. 16, 2008**

Related U.S. Application Data

(63) Continuation-in-part of application No. 29/276,984, filed on Feb. 9, 2007, now abandoned.

(51) **LOC (9) Cl.** **21-06**

(52) **U.S. Cl.**
USPC **D21/804**

(58) **Field of Classification Search**
USPC ... D21/678, 801-804, 806, 807, 810; 482/55, 482/56; D24/188, 128; 441/55, 56, 58, 60, 441/61; D25/61; D11/165-183
See application file for complete search history.

(56) **References Cited**

U.S. PATENT DOCUMENTS

4,095,657	A *	6/1978	Hohwart	482/55
4,530,497	A *	7/1985	Moran et al.	482/55
D345,947	S *	4/1994	Brown et al.	D11/166
7,175,569	B1 *	2/2007	Lan et al.	482/55
7,185,598	B1 *	3/2007	Lan et al.	114/215

7,273,444	B2 *	9/2007	Chang	482/55
7,442,151	B1 *	10/2008	Berdegue	482/55
7,846,072	B1 *	12/2010	Bellerive	482/55
8,007,410	B2 *	8/2011	Mayaud	482/55
2006/0252606	A1 *	11/2006	Korb et al.	482/55

* cited by examiner

Primary Examiner — Zenia Bennett

(74) *Attorney, Agent, or Firm* — Egbert Law Offices, PLLC

(57) **CLAIM**

The ornamental design for a swimming brace support, as shown and described.

DESCRIPTION

FIG. 1 is a side view of the swimming brace support showing my design, an opposite side view being a mirror image thereof.

FIG. 2 is a top plan view thereof;

FIG. 3 is a bottom plane view thereof;

FIG. 4 is a front elevation view thereof;

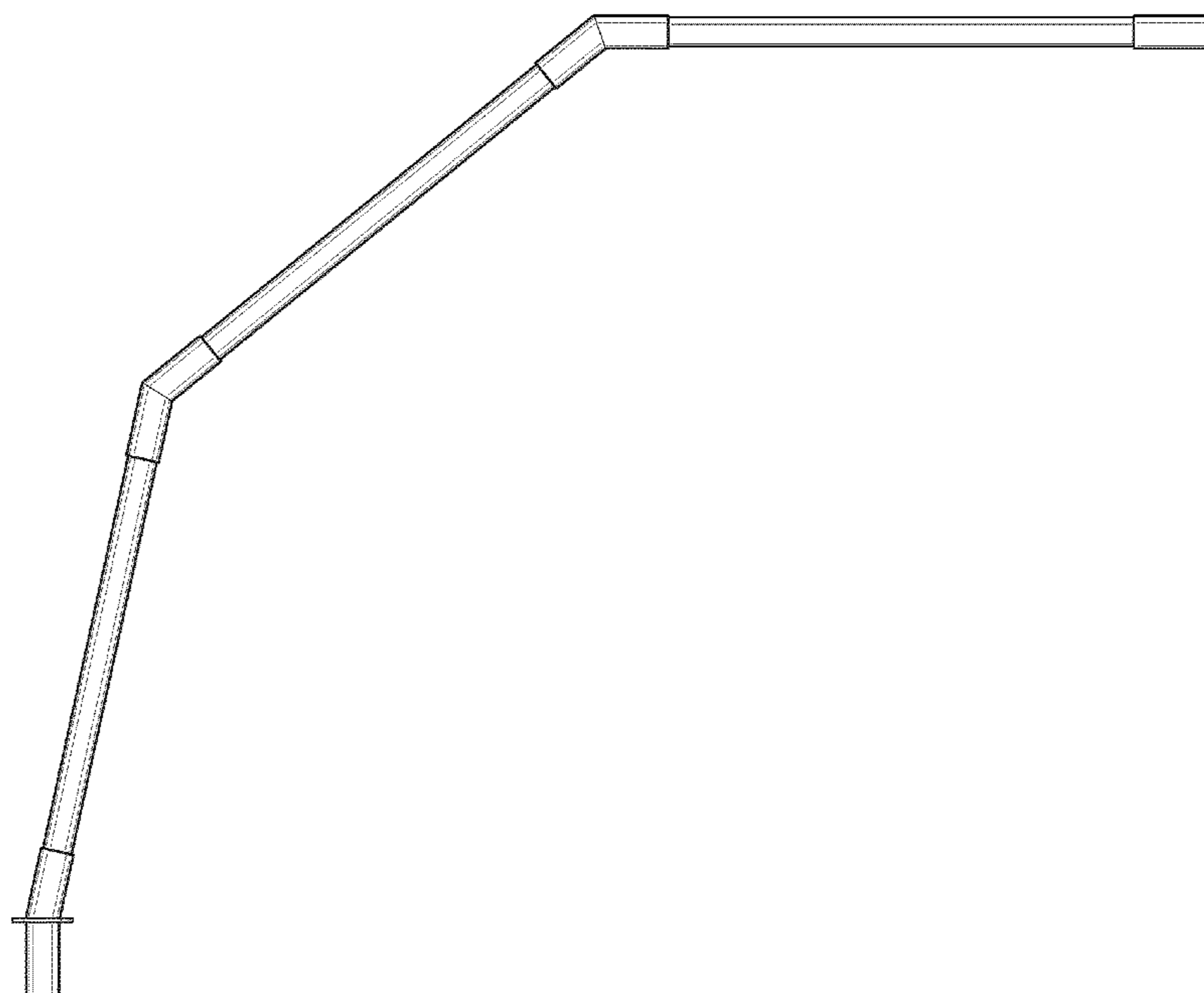
FIGS. 5 and 6 are back elevation views thereof;

FIG. 7 is an upper perspective view thereof; and,

FIG. 8 is another perspective view thereof, showing environmental effects in broken lines.

The environment effects include the swimming pool, water, swimmer, and connection cord, presented in broken line format. The portions in broken lines are presented for illustrative purposes only and form no part of the claimed design.

1 Claim, 3 Drawing Sheets



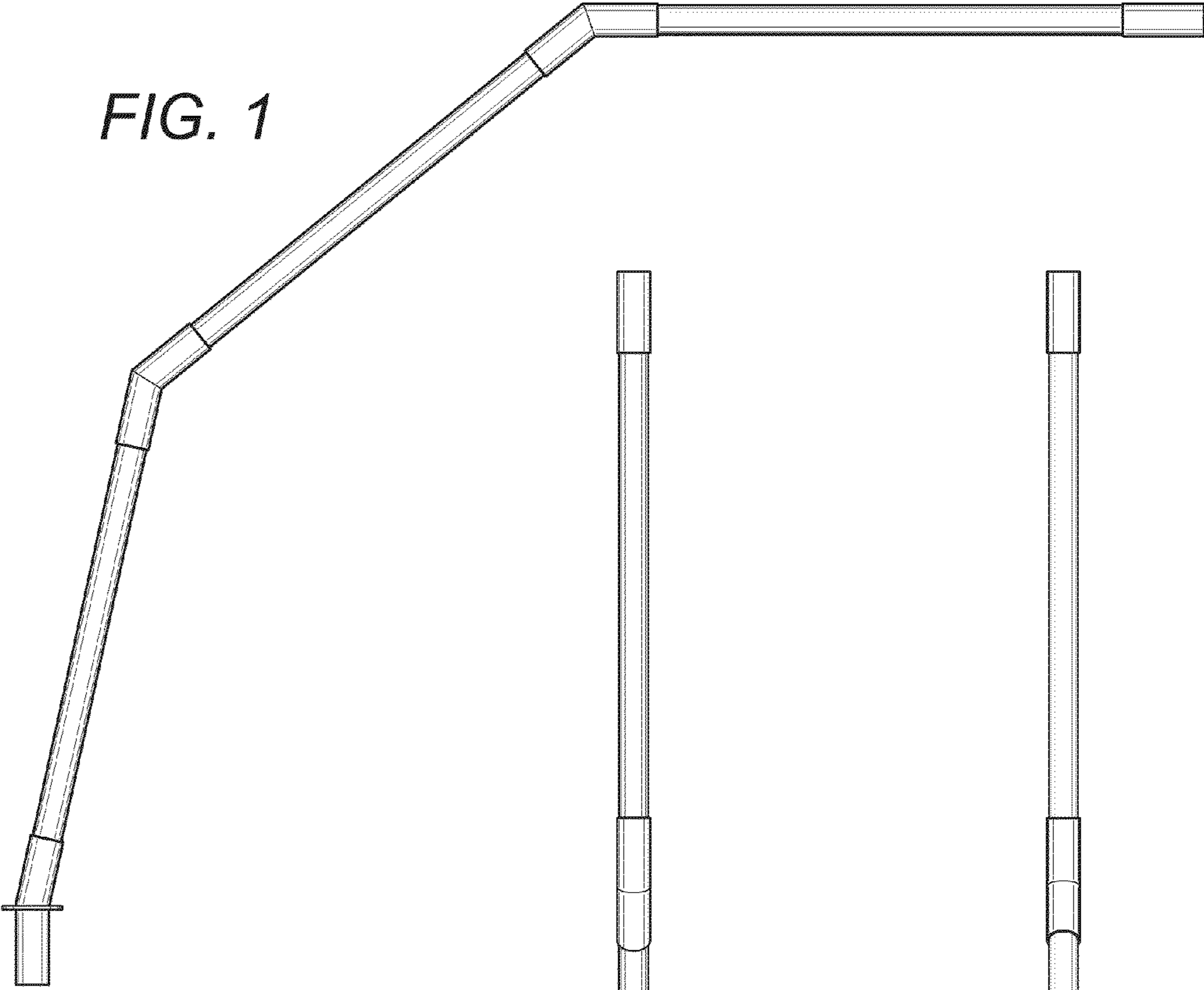


FIG. 1

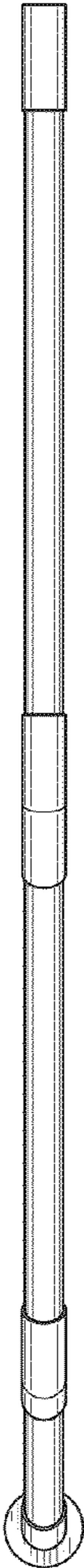


FIG. 2

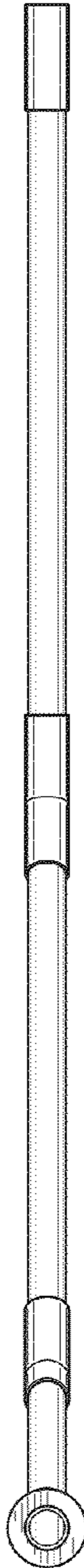


FIG. 3

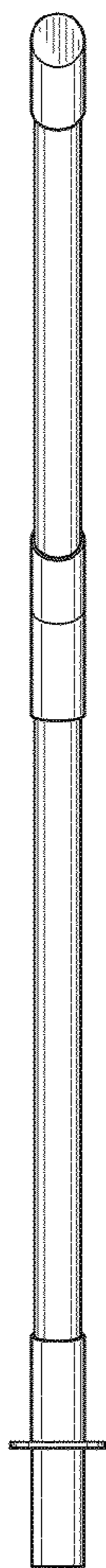


FIG. 4

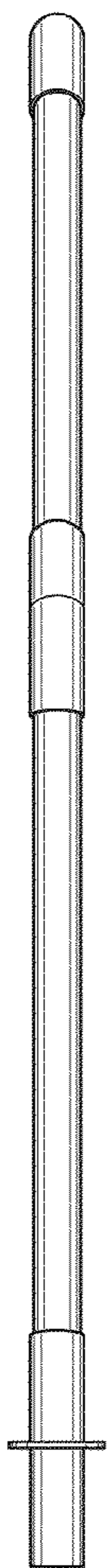


FIG. 5

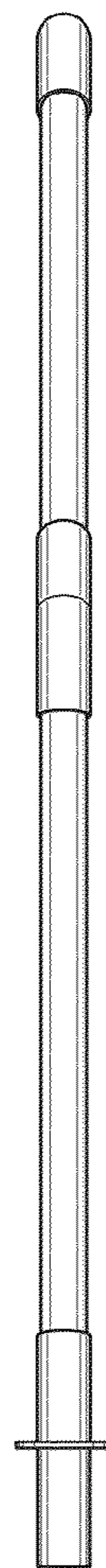


FIG. 6

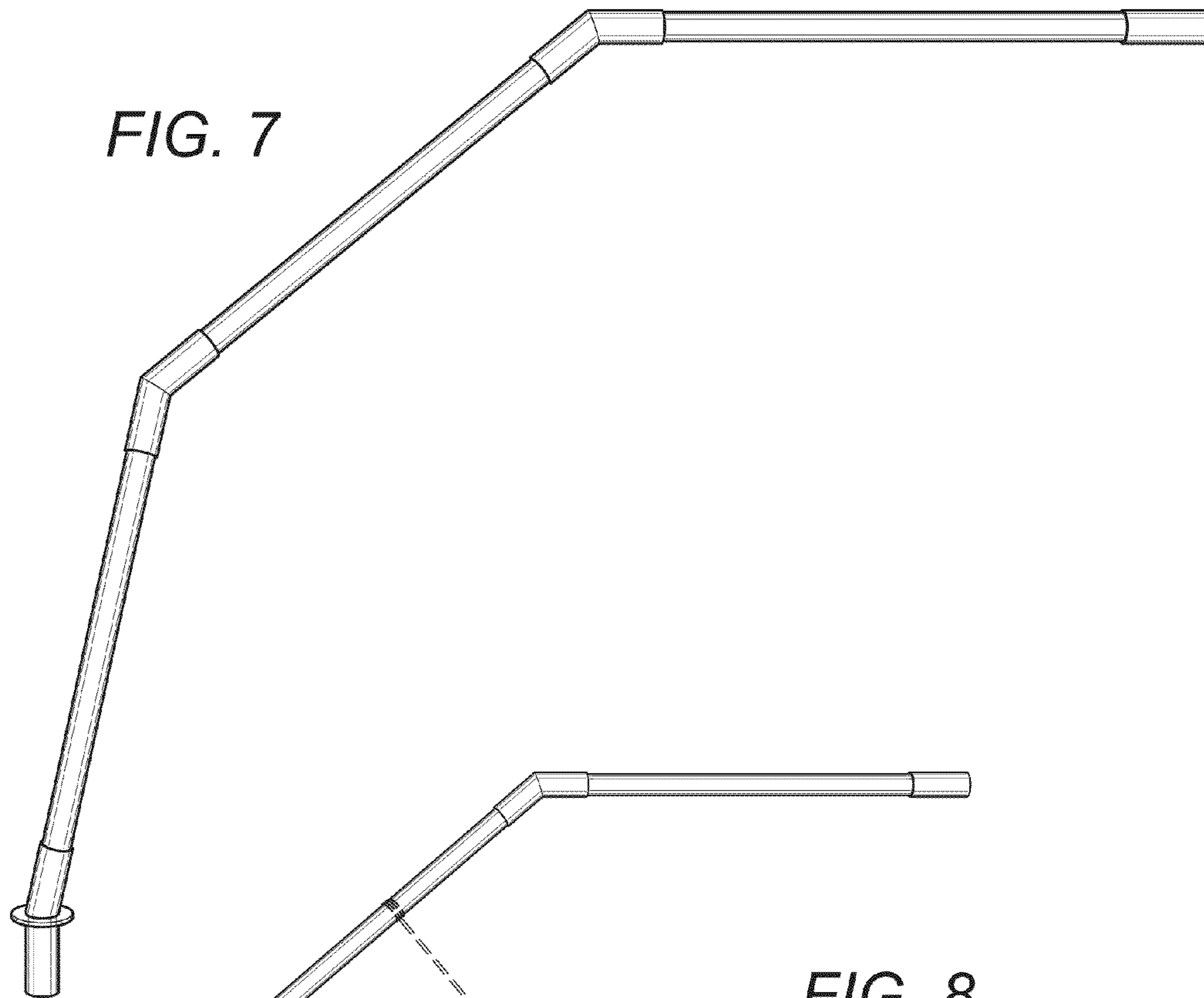


FIG. 7

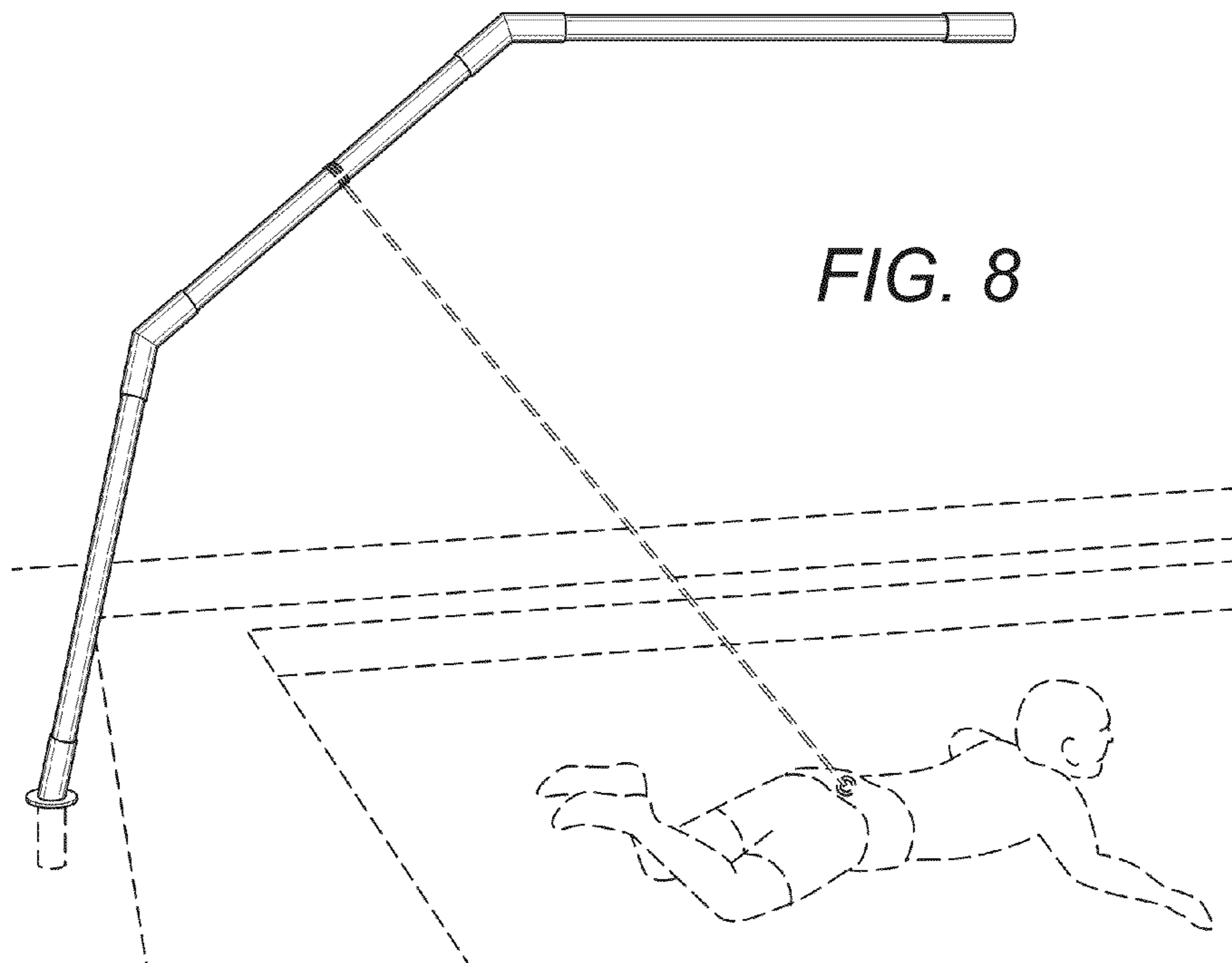


FIG. 8