



US00D687111S

(12) **United States Design Patent**  
**Oldknow et al.**

(10) **Patent No.:** **US D687,111 S**  
(45) **Date of Patent:** **\*\* Jul. 30, 2013**

- (54) **GOLF CLUB HEAD**
- (71) Applicant: **NIKE, Inc.**, Beaverton, OR (US)
- (72) Inventors: **Andrew G. V. Oldknow**, Beaverton, OR (US); **Jason Cardani**, Portland, OR (US)
- (73) Assignee: **NIKE, Inc.**, Beaverton, OR (US)
- (\*\*) Term: **14 Years**

D641,446 S	7/2011	Engel et al.	
D643,491 S	8/2011	Stokke et al.	
D647,985 S *	11/2011	Atwell et al.	D21/747
D649,211 S	11/2011	Jertson et al.	
D659,214 S	5/2012	Oldknow et al.	
D666,261 S	8/2012	Roach et al.	
D669,947 S *	10/2012	Kim et al.	D21/747
D675,692 S *	2/2013	Oldknow et al.	D21/759
D676,914 S *	2/2013	Oldknow et al.	D21/759
2012/0165110 A1	6/2012	Cheng	
2012/0165111 A1	6/2012	Cheng	
2012/0289360 A1	11/2012	Breier et al.	

- (21) Appl. No.: **29/447,099**
- (22) Filed: **Feb. 28, 2013**
- (51) **LOC (9) Cl.** ..... **21-02**
- (52) **U.S. Cl.**  
USPC ..... **D21/759**
- (58) **Field of Classification Search**  
USPC ..... D21/747-751, 759; 473/324-331, 473/350  
See application file for complete search history.

**OTHER PUBLICATIONS**

Edwin Watts Golf Catalog, Holiday 2004, pp. 11 and 87, published Holiday 2004.  
 Austad Golf Catalog, Spring 2008, pp. 2 and 5, published Spring 2008.  
 Golfsmith Catalog, 2010, pp. 24 and 25, published 2010.

\* cited by examiner

*Primary Examiner* — Mitchell Siegel  
 (74) *Attorney, Agent, or Firm* — Banner & Witcoff, Ltd.

(56) **References Cited**

**U.S. PATENT DOCUMENTS**

D377,381 S	1/1997	Takahashi et al.	
D501,237 S	1/2005	Madore	
D505,466 S	5/2005	Lang et al.	
D510,115 S	9/2005	Lang et al.	
D518,539 S	4/2006	Cleveland et al.	
D529,114 S	9/2006	Madore	
D556,278 S	11/2007	Mahaffey et al.	
D562,423 S	2/2008	Foster et al.	
D566,803 S	4/2008	Foster et al.	
D580,503 S *	11/2008	Roach et al.	D21/747
D597,616 S *	8/2009	Ines et al.	D21/747
D597,617 S *	8/2009	Ines et al.	D21/747
D597,618 S *	8/2009	Ines et al.	D21/747
D598,060 S *	8/2009	Barez et al.	D21/747
D598,061 S *	8/2009	Barez et al.	D21/747
D601,651 S	10/2009	Jorgensen et al.	
D602,103 S *	10/2009	Jorgensen et al.	D21/747
D622,336 S *	8/2010	Kohnno	D21/747
D622,344 S	8/2010	Oldknow et al.	
D631,110 S	1/2011	Kim et al.	
D639,881 S	6/2011	Breier et al.	

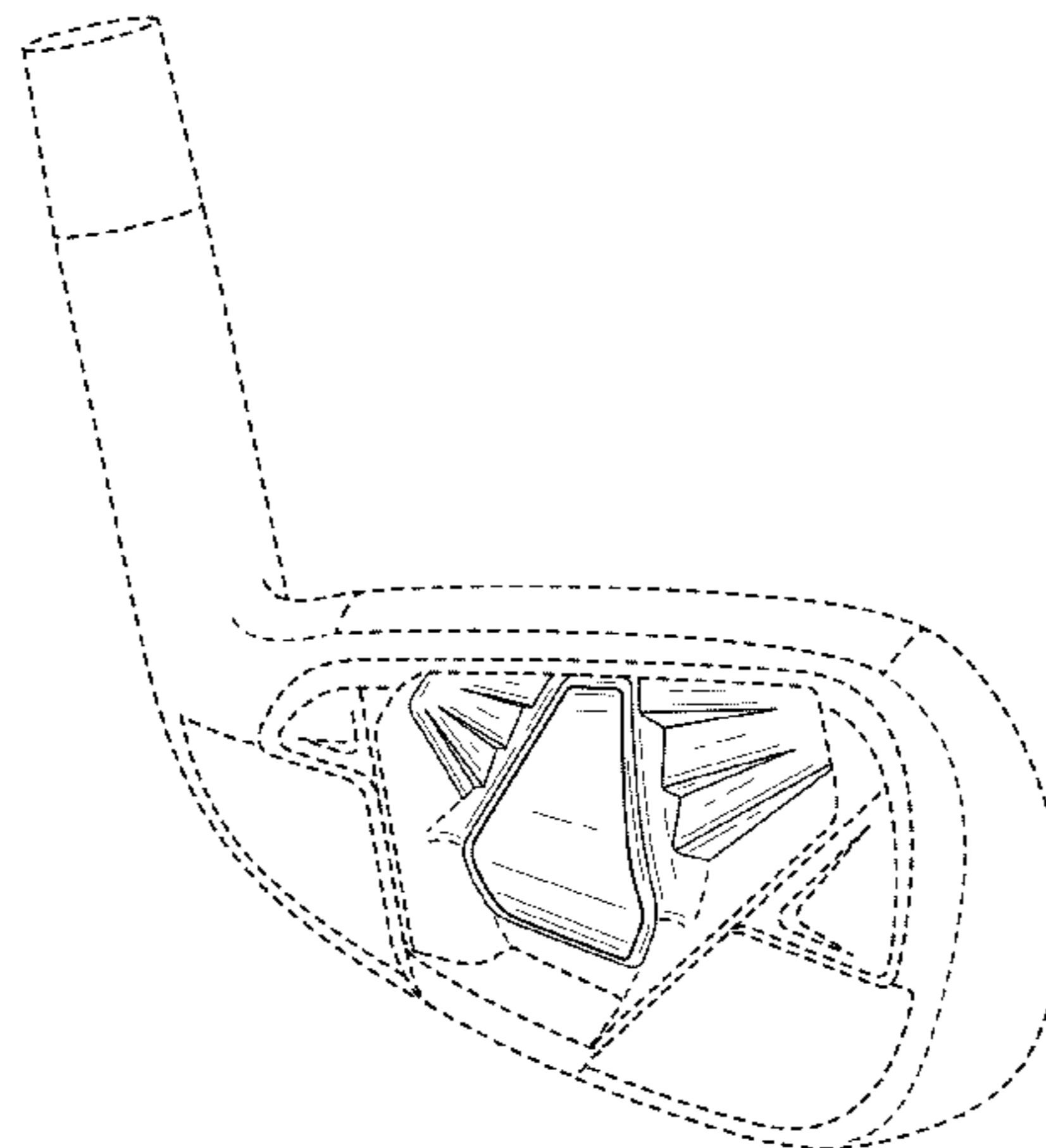
**CLAIM**

(57) The ornamental design for a golf club head, as shown and described.

**DESCRIPTION**

FIG. 1 is a toe end perspective view of a golf club head showing our new design;  
 FIG. 2 is a heel end perspective view thereof;  
 FIG. 3 is a rear view thereof;  
 FIG. 4 is a toe end view thereof;  
 FIG. 5 is a heel end view thereof;  
 FIG. 6 is a bottom view thereof;  
 FIG. 7 is a top view thereof; and,  
 FIG. 8 is a front view thereof.  
 The broken lines immediately adjacent to the shaded area represent unclaimed boundaries of the design. The broken lines showing the remainder of the golf club head are for environmental purposes only and form no part of the claimed design.

**1 Claim, 4 Drawing Sheets**



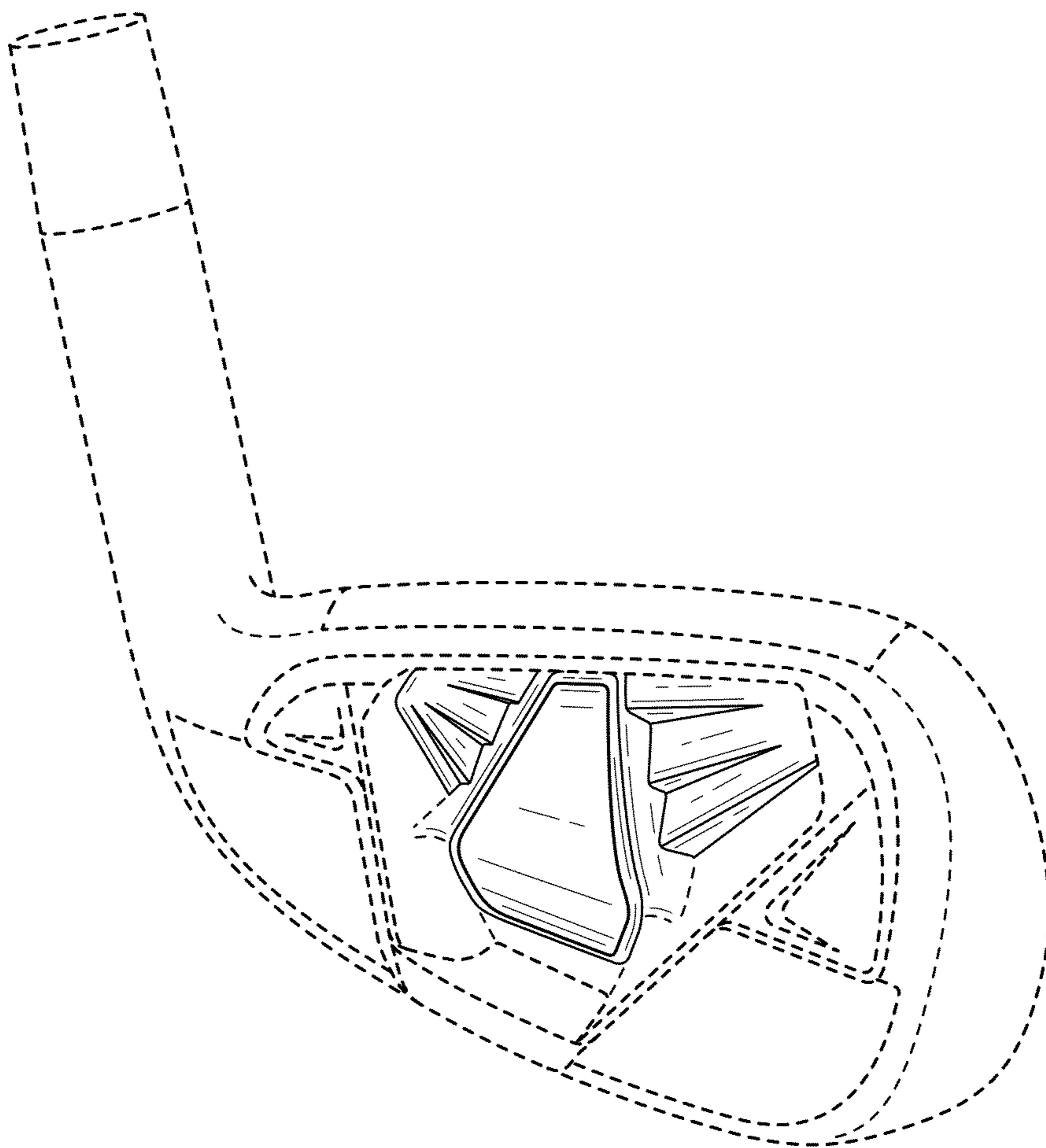


FIG. 1

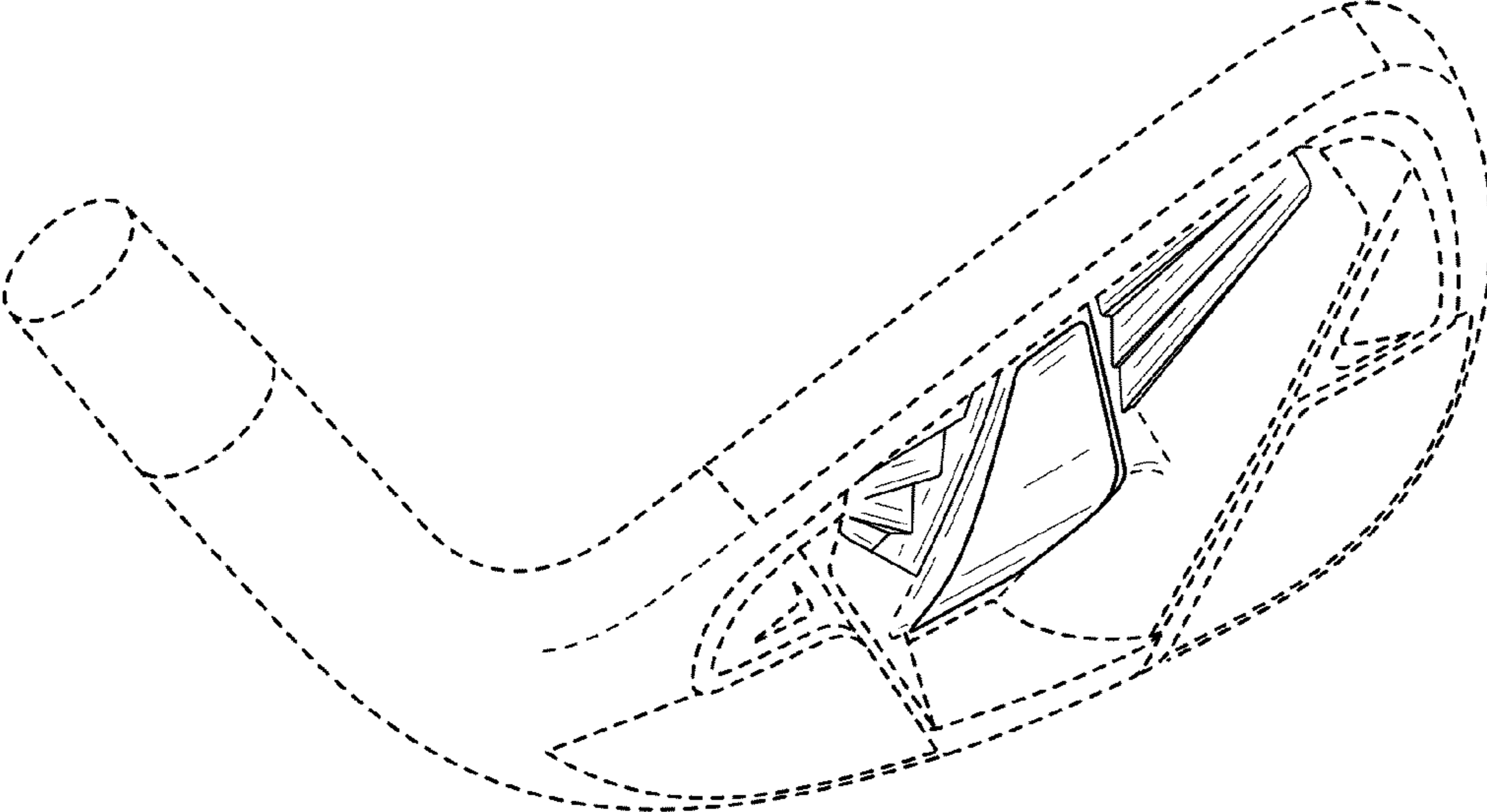


FIG. 2

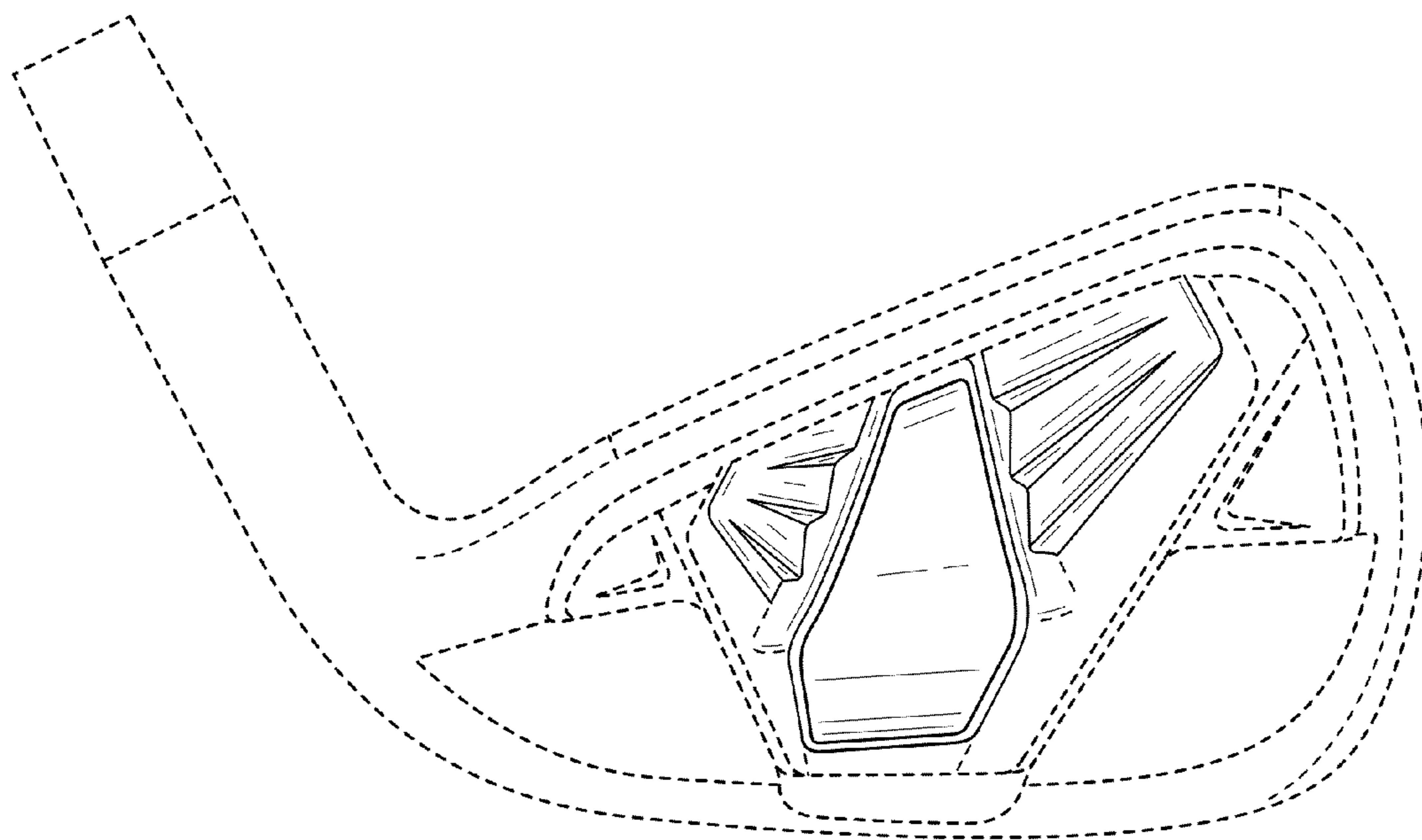


FIG. 3

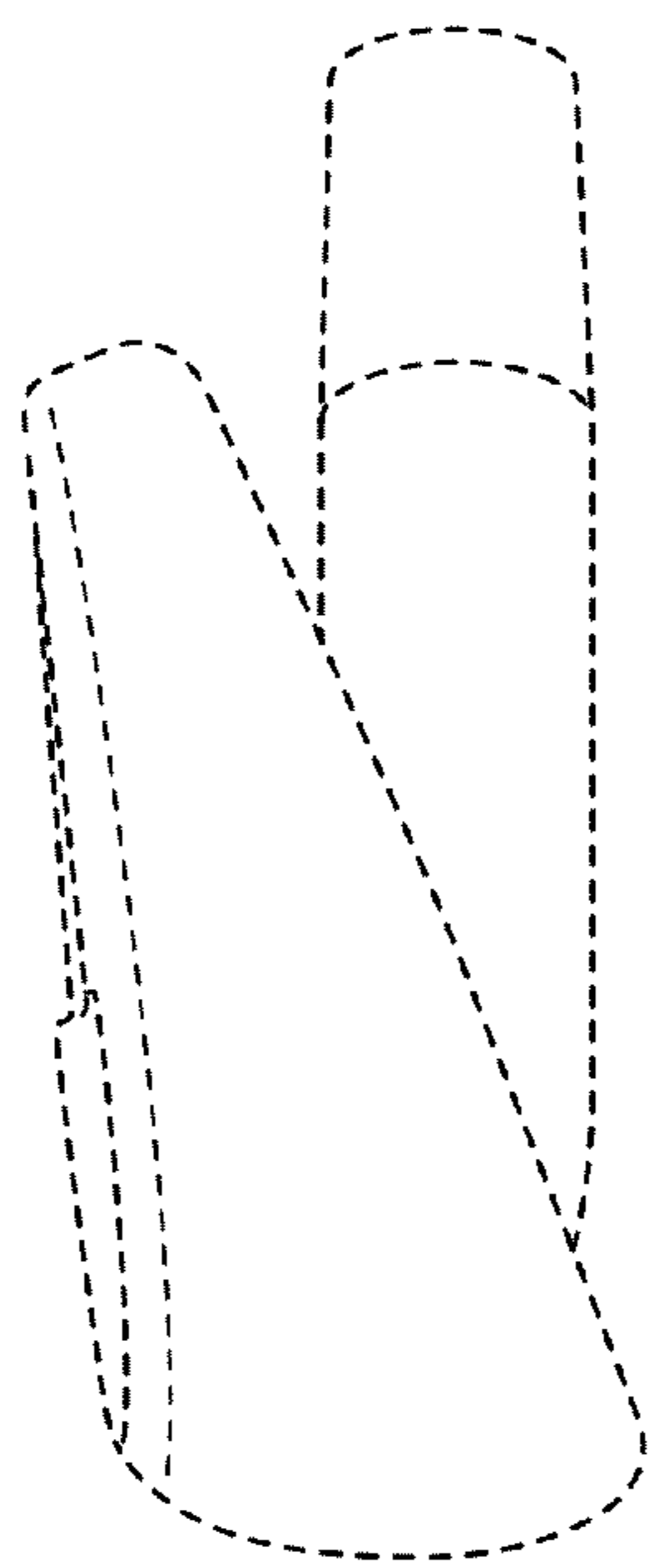


FIG. 4

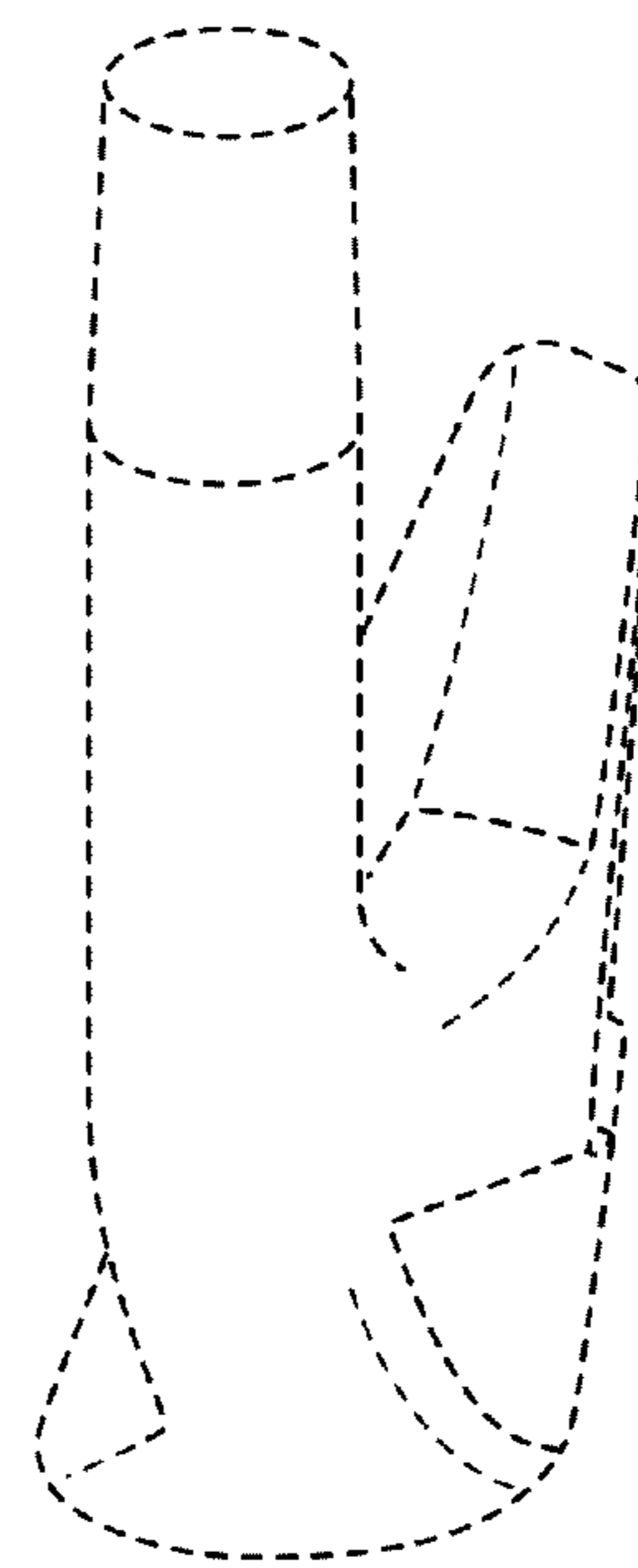


FIG. 5

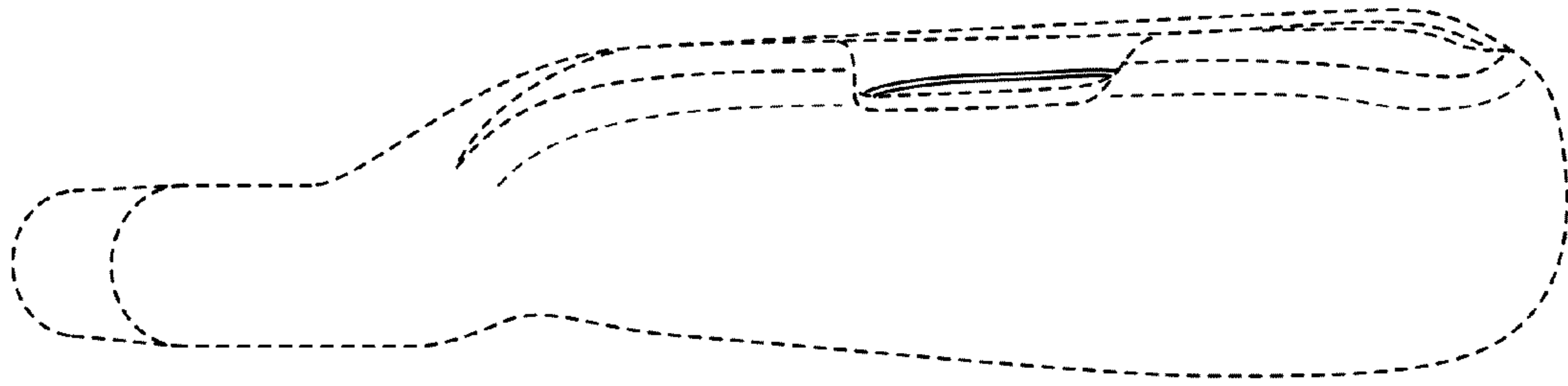


FIG. 6

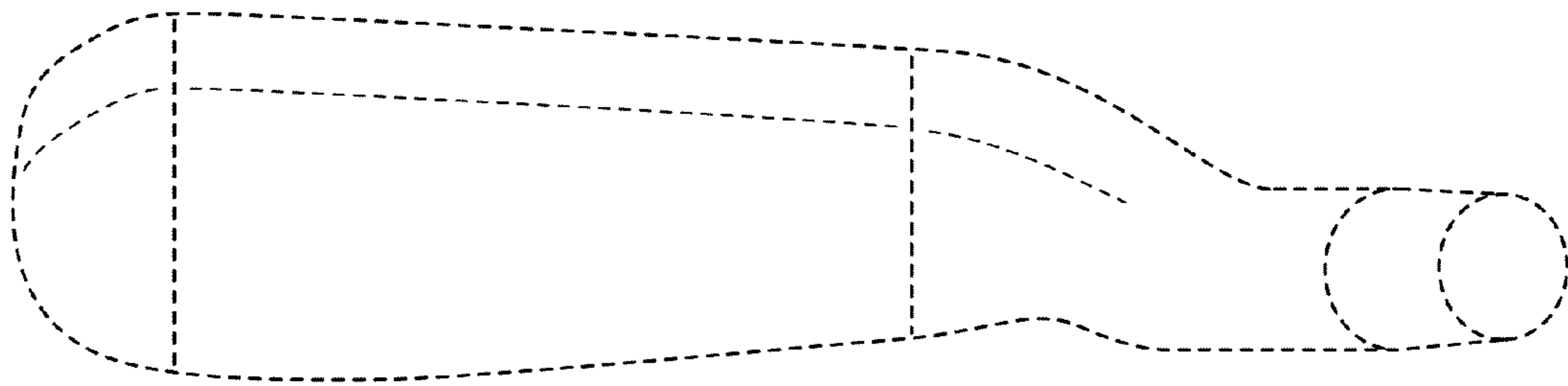


FIG. 7

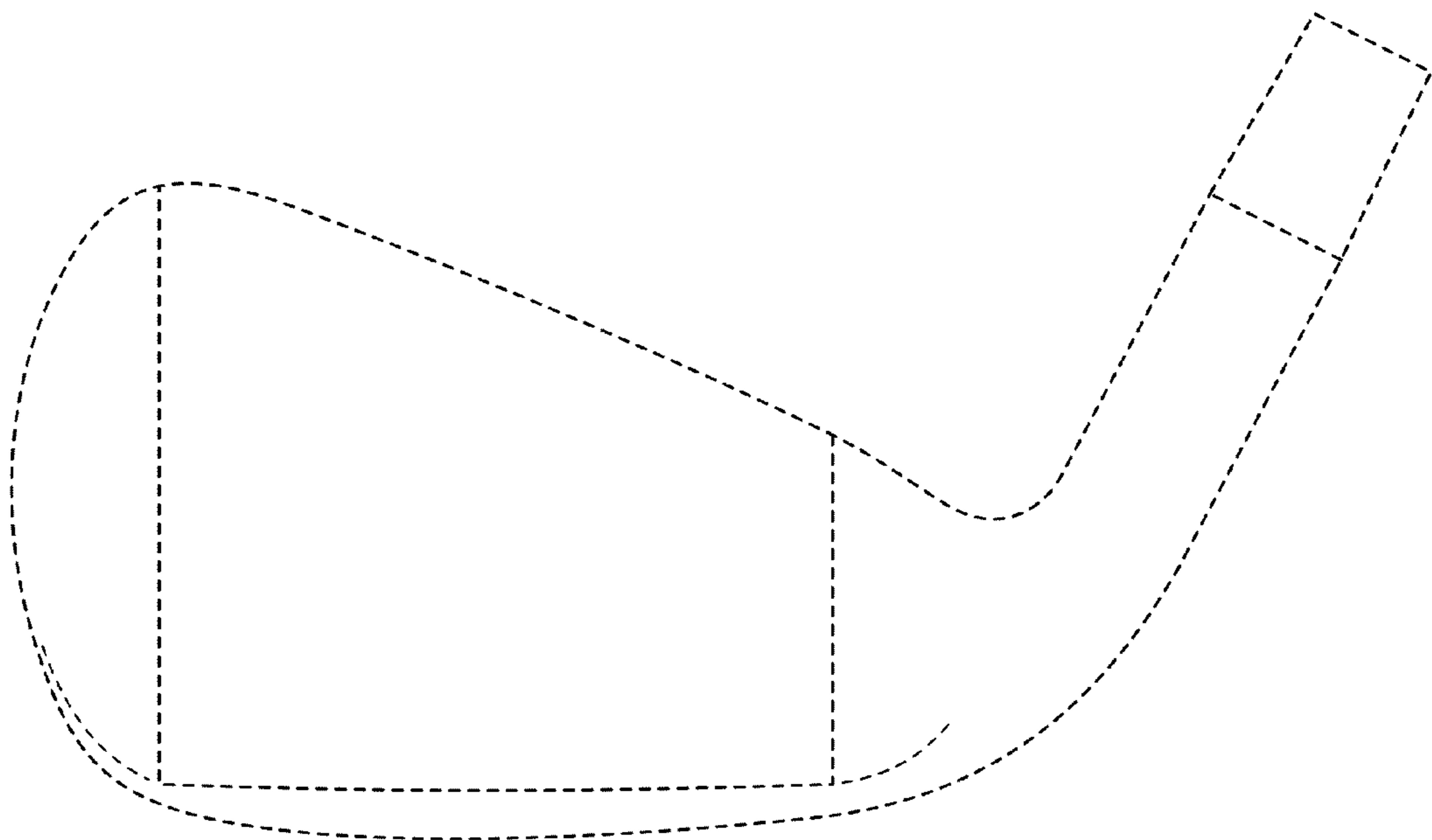


FIG. 8