



US00D687108S

(12) **United States Design Patent**
Thygesen

(10) **Patent No.:** **US D687,108 S**
(45) **Date of Patent:** **** Jul. 30, 2013**

(54) **ELEMENT FOR A CONSTRUCTION SET**

(75) Inventor: **Lars Thygesen**, Jelling (DK)

(73) Assignee: **Lego A/S**, Billund (DK)

(**) Term: **14 Years**

(21) Appl. No.: **29/422,821**

(22) Filed: **May 24, 2012**

(30) **Foreign Application Priority Data**

Nov. 22, 2011 (EM) 001950981

(51) **LOC (9) Cl.** **21-01**

(52) **U.S. Cl.**

USPC **D21/486**; D21/488; D21/503

(58) **Field of Classification Search**

USPC D21/484, 485, 486, 488, 489, 491,
D21/494, 495, 499, 500-504; 446/69, 85,
446/102-128; 434/208, 259, 403; 273/153,
273/156, 160; 428/174

See application file for complete search history.

(56) **References Cited**

U.S. PATENT DOCUMENTS

D284,207	S	*	6/1986	Kasai	D21/486
D359,999	S	*	7/1995	Schmidt et al.	D21/486
D370,034	S	*	5/1996	Kipfer	D21/502
D371,583	S	*	7/1996	Knudsen	D21/503
D516,635	S	*	3/2006	Kim	D21/503
D528,170	S	*	9/2006	Kim	D21/486
D564,044	S	*	3/2008	Rolf	D21/486
D616,047	S	*	5/2010	Christensen	D21/502
D675,681	S	*	2/2013	Rottje	D21/486

* cited by examiner

Primary Examiner — Cynthia M Chin

(74) *Attorney, Agent, or Firm* — Day Pitney LLP

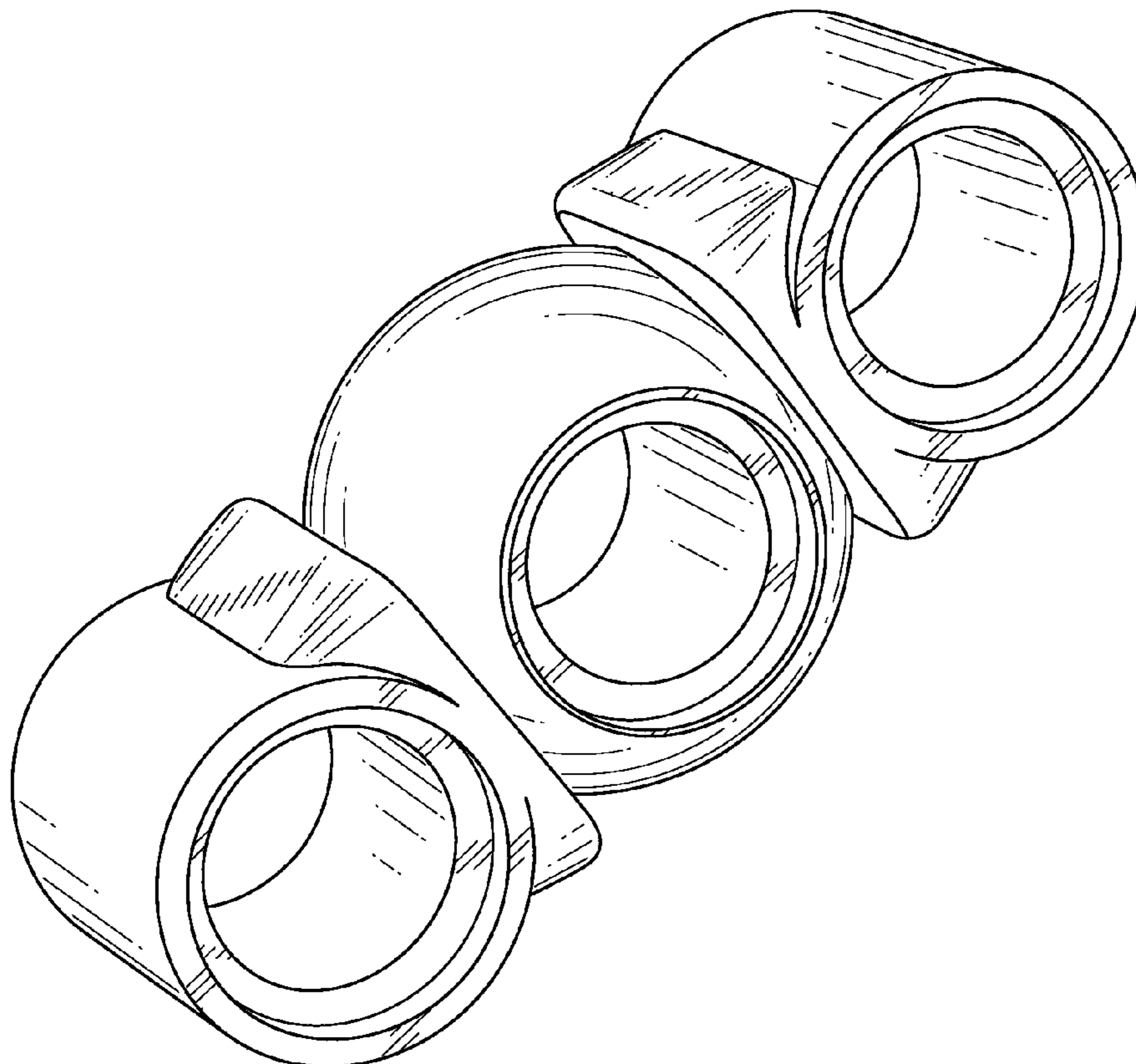
(57) **CLAIM**

The ornamental design for a element for a construction set, as shown and described.

DESCRIPTION

FIG. 1 is a front perspective view of my ornamental design for a element for a construction set;
FIG. 2 is a front view thereof;
FIG. 3 is a right side view thereof;
FIG. 4 is a rear view thereof;
FIG. 5 is a left side view thereof;
FIG. 6 is a top plan view thereof; and,
FIG. 7 is a bottom plan view thereof.

1 Claim, 7 Drawing Sheets



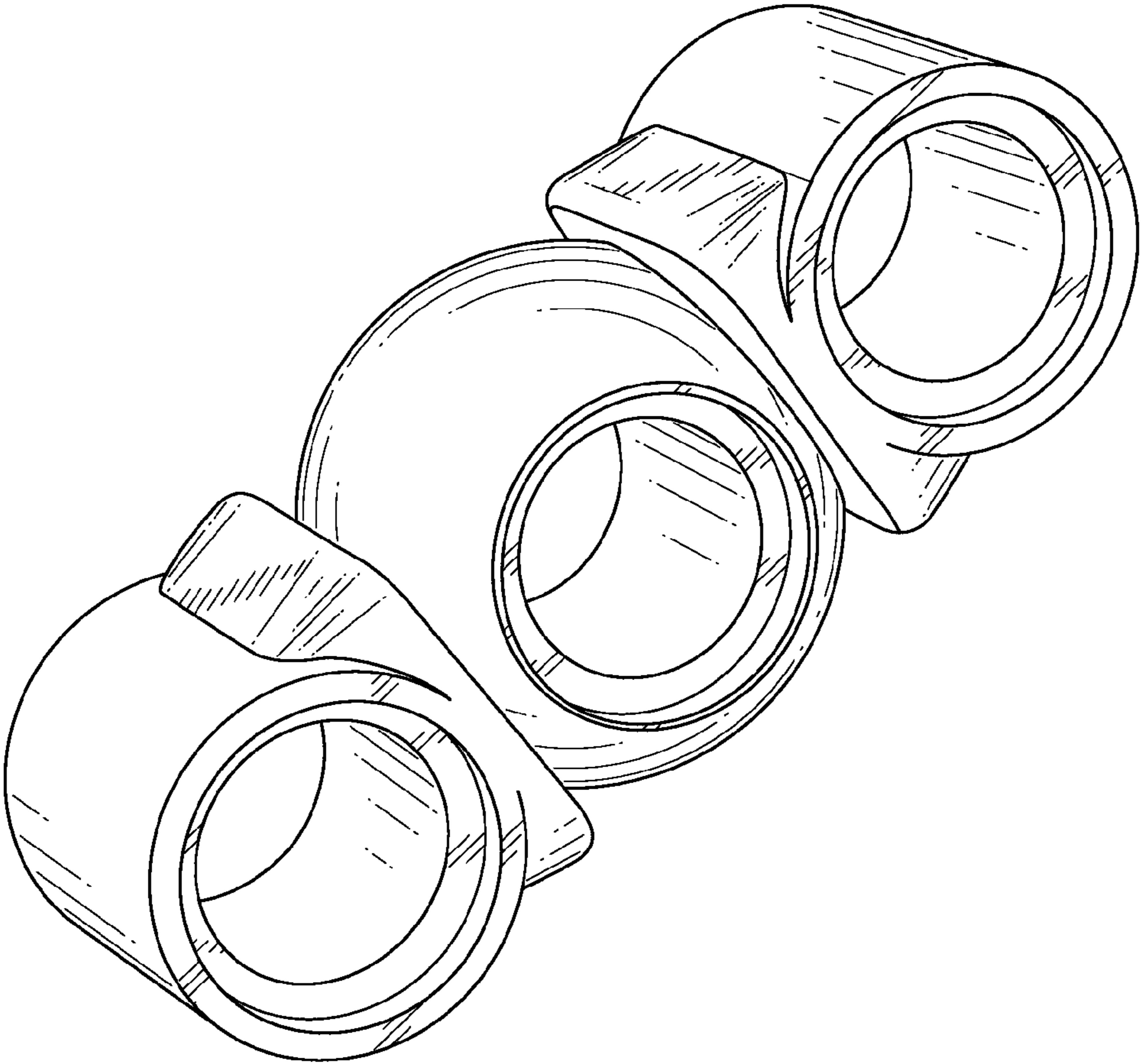


FIG. 1

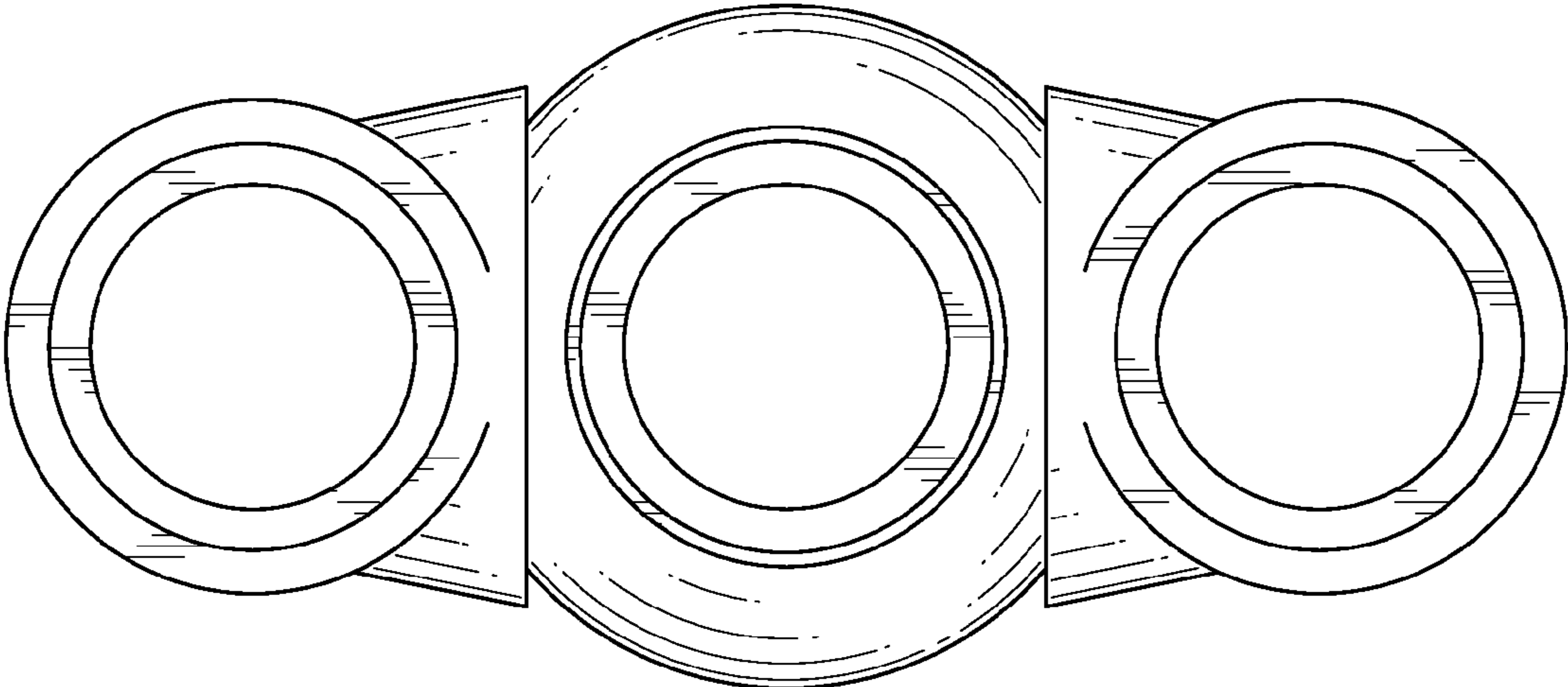


FIG. 2

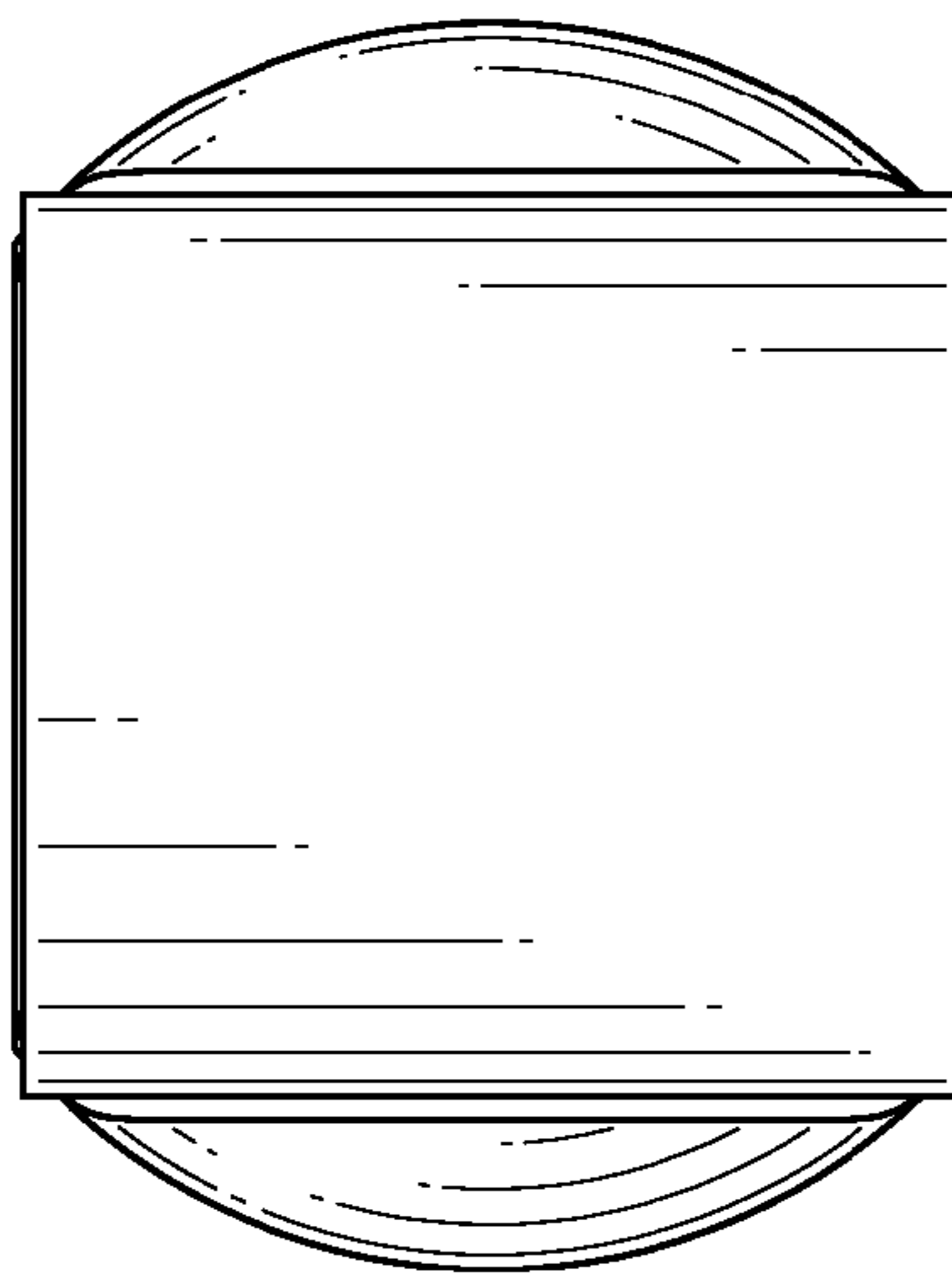


FIG. 3

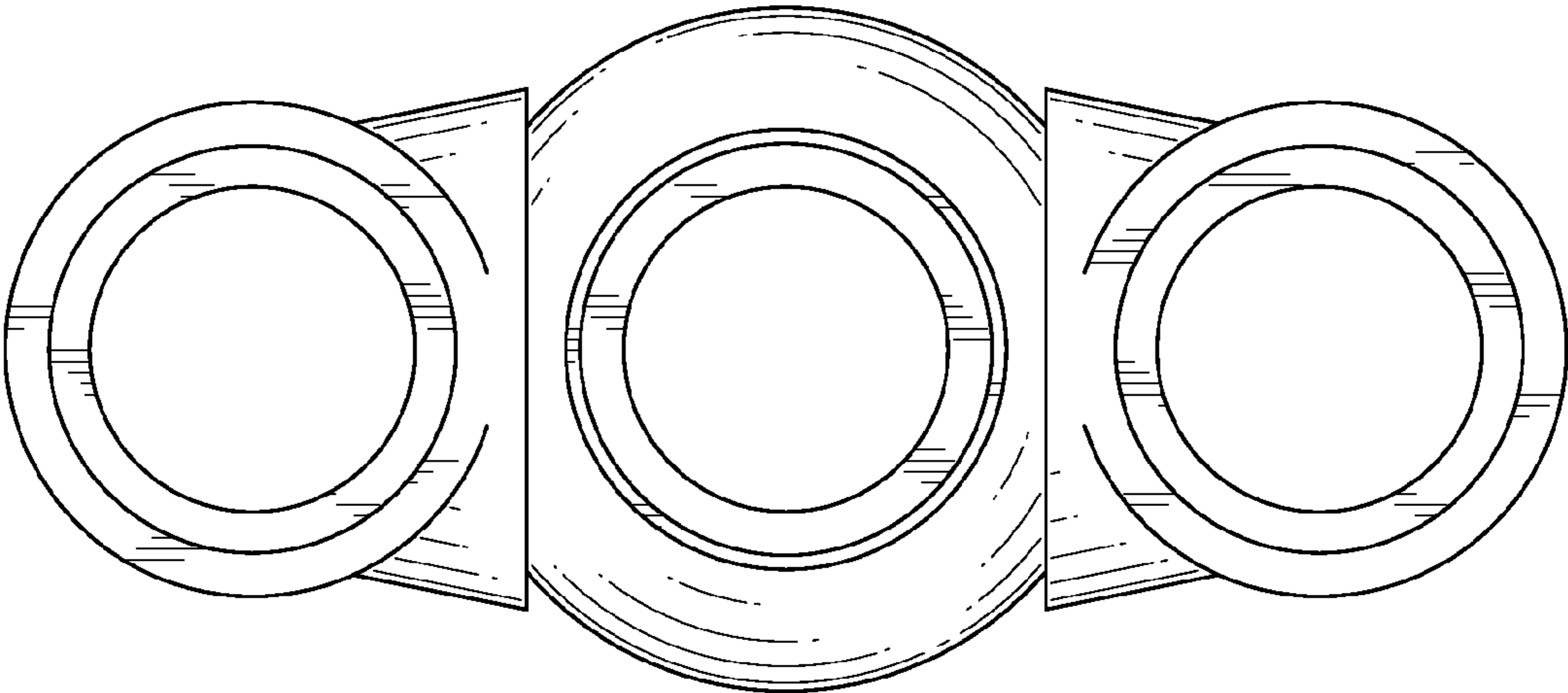


FIG.4

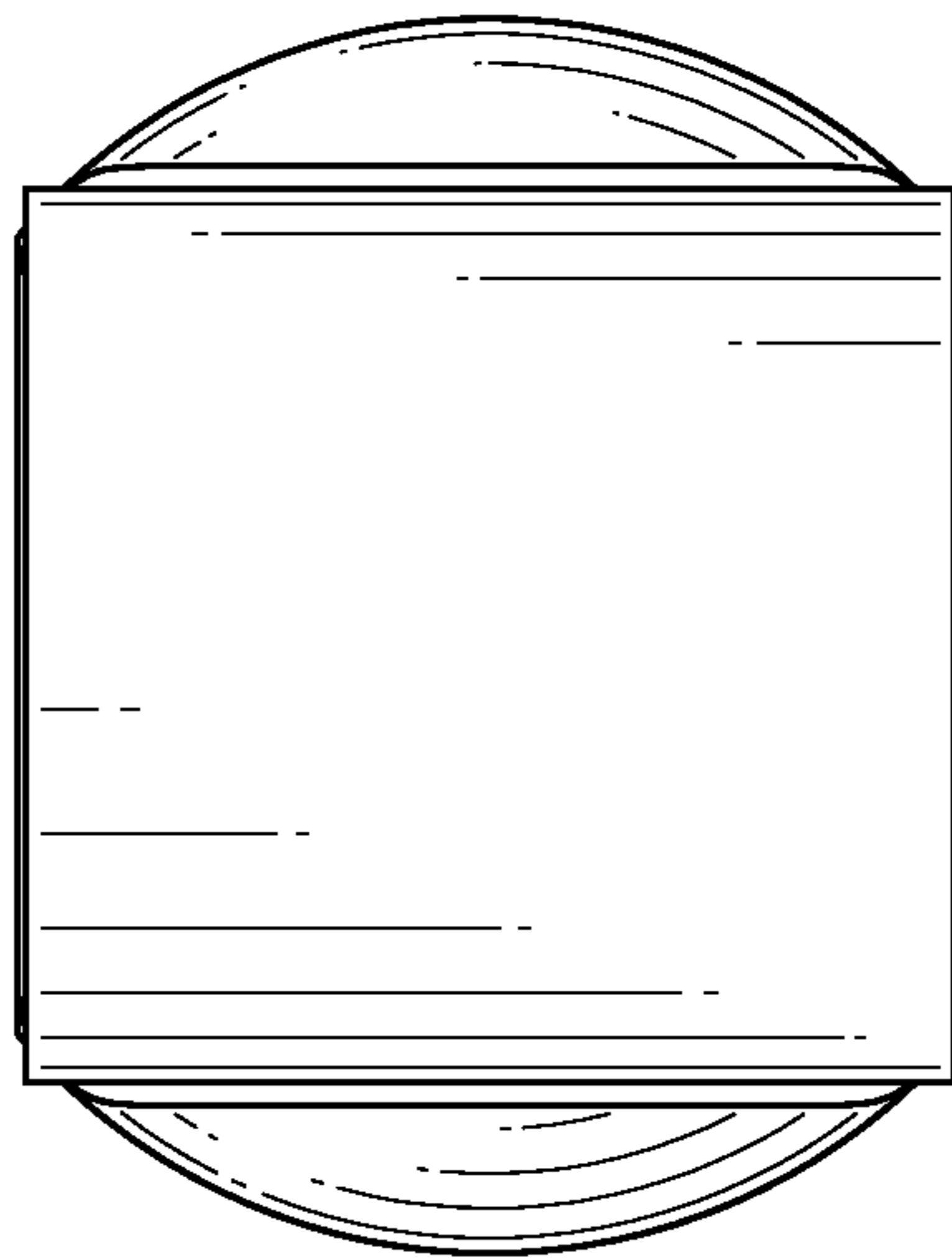


FIG. 5

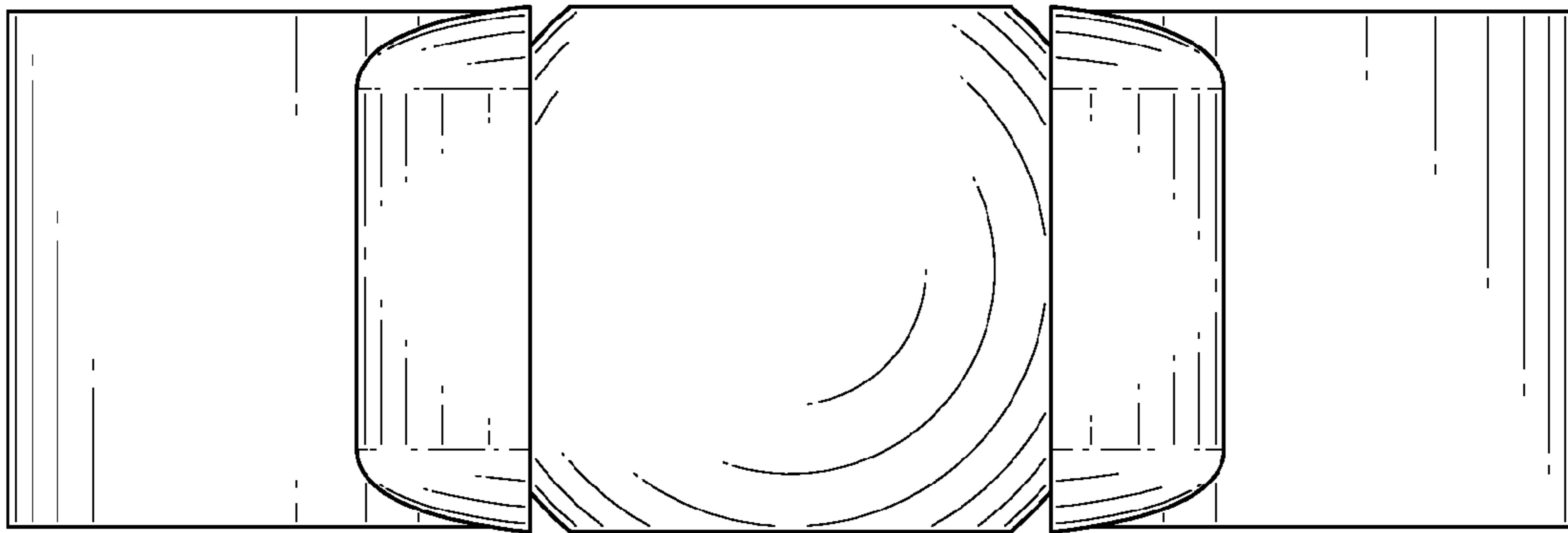


FIG.6

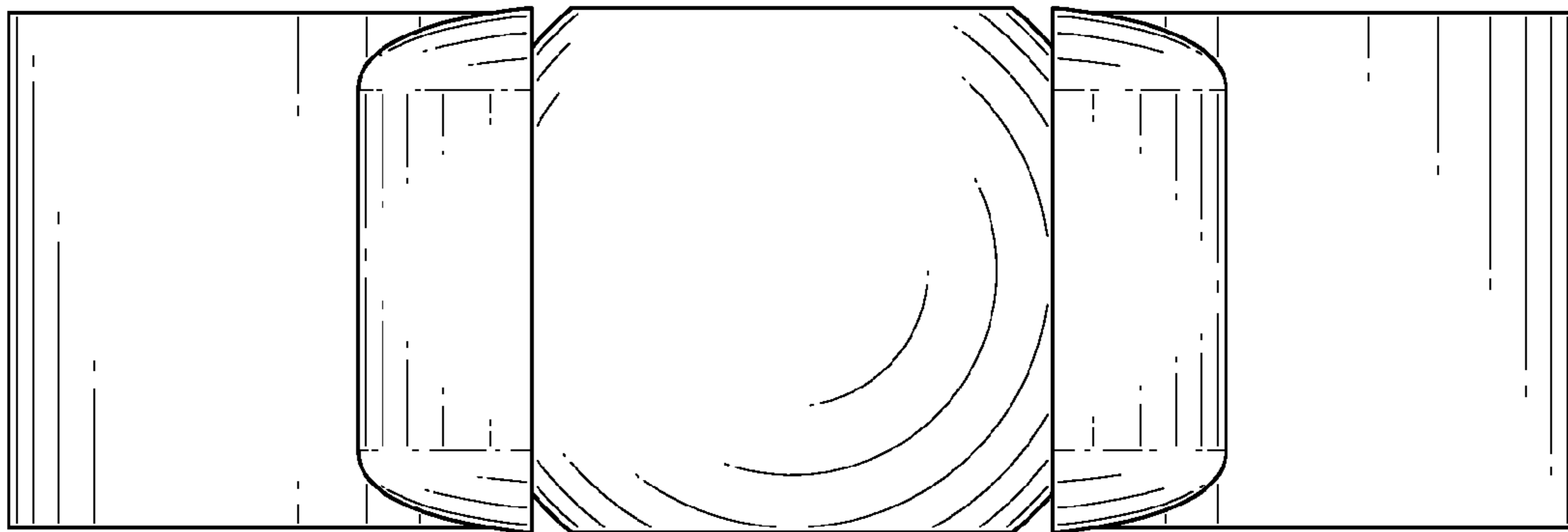


FIG. 7