



US00D687107S

(12) **United States Design Patent**
Kanbar

(10) **Patent No.:** **US D687,107 S**
(45) **Date of Patent:** **** Jul. 30, 2013**

- (54) **SPINNING TOP WITH SURFACE ORNAMENTATION**
- (75) Inventor: **Maurice S. Kanbar**, San Francisco, CA (US)
- (73) Assignee: **Maurice S. Kanbar Revocable Trust**, San Francisco, CA (US)
- (**) Term: **14 Years**
- (21) Appl. No.: **29/429,151**
- (22) Filed: **Aug. 7, 2012**
- (51) **LOC (9) Cl.** **21-01**
- (52) **U.S. Cl.**
USPC **D21/460; D21/373**
- (58) **Field of Classification Search**
USPC D21/308, 347, 350, 362, 369, 371-375, D21/385, 386, 388, 389, 390, 395, 397, 398, D21/404, 405, 436, 441, 443, 451, 452-464, D21/487, 493, 503, 510, 576-661; D10/46.1, D10/122-128; D20/10, 11, 19-21, 23, 28, D20/29; D6/588, 592, 610, 615, 618, 621; D19/59, 64; 446/236-266, 268, 325-328, 446/330, 396, 429, 430; 273/126 R, 126 A, 273/274, 280, 288-291, 147; 116/222-225, 116/284, 298, 309-320
See application file for complete search history.

(56) **References Cited**

U.S. PATENT DOCUMENTS

298,192	A *	5/1884	Foote	273/244.1
481,859	A *	8/1892	George	273/271
537,887	A *	4/1895	Bradley	446/243
667,794	A *	2/1901	Risbrough	273/147
814,962	A *	3/1906	Irving	273/147
942,748	A *	12/1909	Rempe	273/244.1
1,321,035	A *	11/1919	Harlan	446/258
1,638,094	A *	8/1927	Gilmour	273/249

1,774,721	A *	9/1930	Morris	116/223
2,320,832	A *	6/1943	Schoenberg et al.	273/242
2,976,045	A *	3/1961	Mason	273/269
D214,756	S *	7/1969	Kenworthy	D10/70
D220,050	S *	3/1971	Yannich	D10/124
4,063,735	A *	12/1977	Wendel	273/252

(Continued)

FOREIGN PATENT DOCUMENTS

JP 2004097745 A * 4/2004

Primary Examiner — Catherine Tuttle

(74) *Attorney, Agent, or Firm* — Litts Law Firm

(57) **CLAIM**

The ornamental design for a spinning top with surface ornamentation, as shown and described.

DESCRIPTION

FIG. 1 is a front perspective view of a first embodiment of a spinning top with surface ornamentation showing my new design;

FIG. 2 is a top plan view thereof;

FIG. 3 is a bottom plan view thereof;

FIG. 4 is a front elevation view thereof, the rear elevation view being a mirror image;

FIG. 5 is a right side elevation view thereof, the left side elevation view being a mirror image;

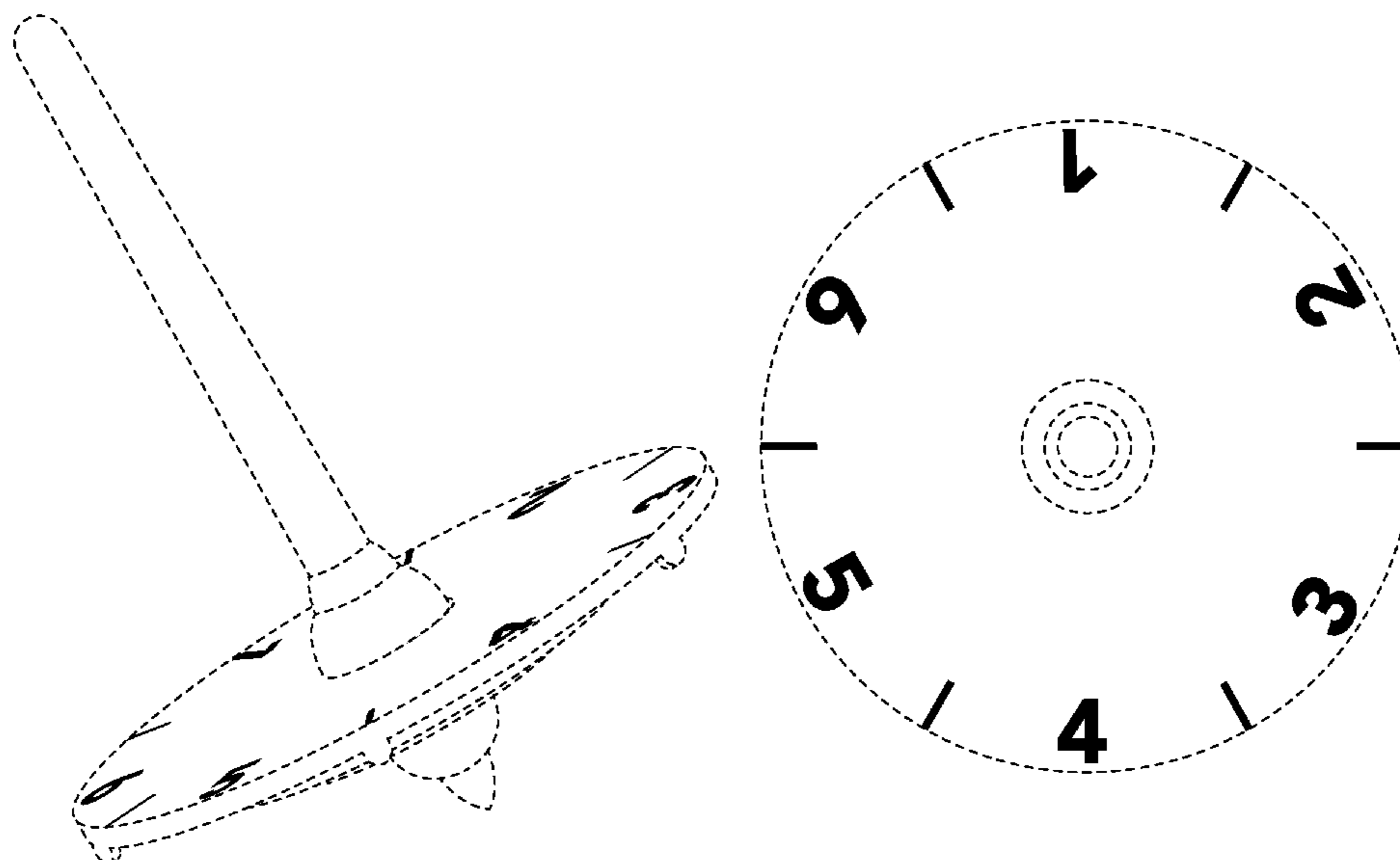
FIG. 6 is a top plan view of a second embodiment of a spinning top with surface ornamentation showing my new design;

FIG. 7 is a top plan view of a third embodiment of a spinning top with surface ornamentation showing my new design; and,

FIG. 8 is a top plan view of a fourth embodiment of a spinning top with surface ornamentation showing my new design.

The broken lines in the figures are included for the purpose of illustrating portions of the spinning top with surface ornamentation that form no part of the claimed design.

1 Claim, 5 Drawing Sheets



US D687,107 S

Page 2

U.S. PATENT DOCUMENTS

4,164,910	A *	8/1979	Feiler	116/225	6,279,908	B1 *	8/2001	Hunsberger	273/249
4,283,054	A *	8/1981	Patella et al.	273/126 R	6,811,402	B1 *	11/2004	Ritchie	434/191
4,346,899	A *	8/1982	Nuebling, Sr.	273/244	7,201,374	B2 *	4/2007	Bielman	273/289
4,706,960	A *	11/1987	Nowacki et al.	273/257	D560,535	S *	1/2008	Solomon	D10/126
5,139,267	A *	8/1992	Trevisan	273/246	2005/0200078	A1 *	9/2005	Montaldo	273/243
D354,314	S *	1/1995	Steininger	D21/308	2007/0182096	A1 *	8/2007	Jones	273/244
5,439,229	A *	8/1995	Kaiser	273/256					

* cited by examiner

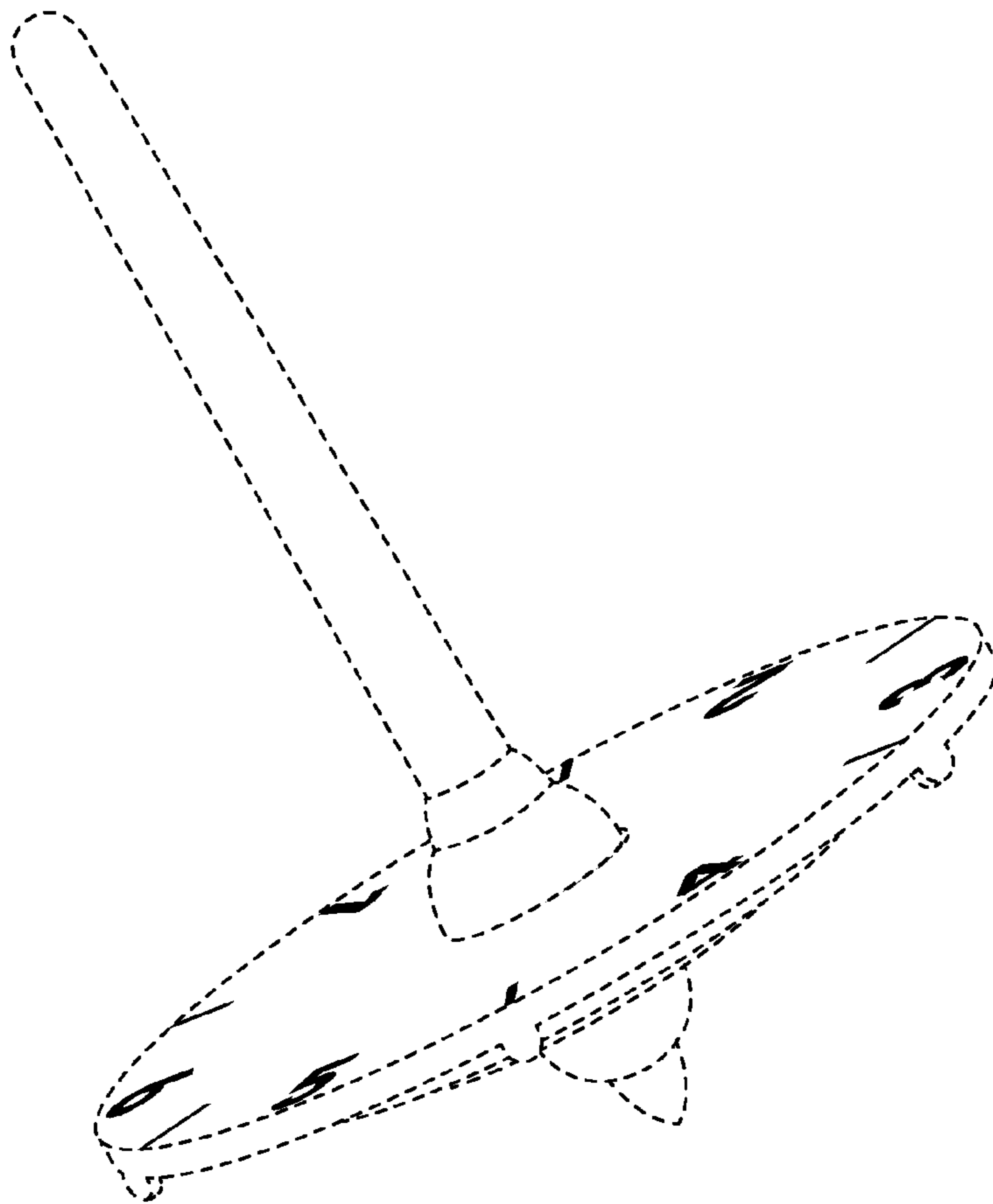


FIG. 1

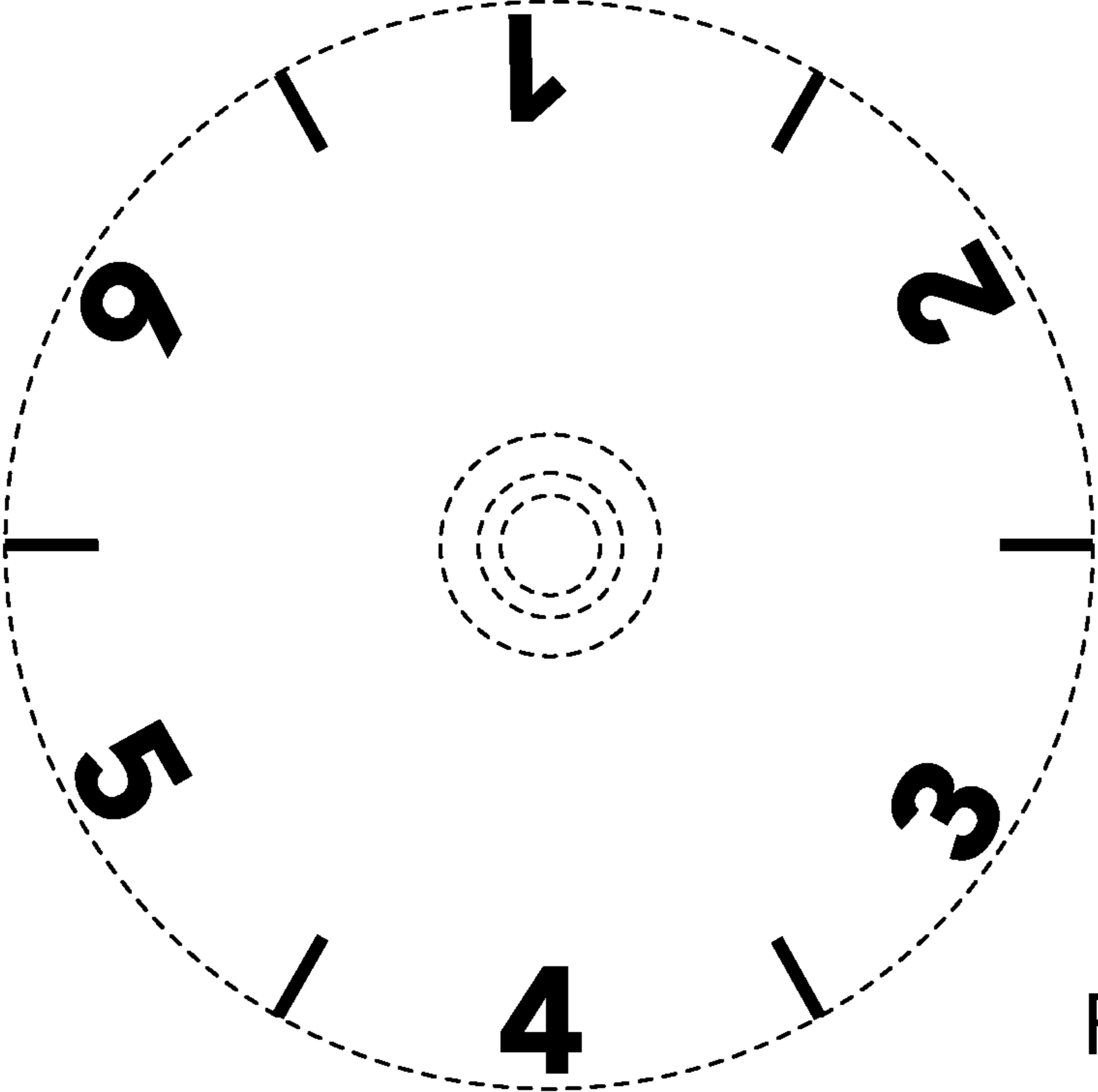


FIG. 2

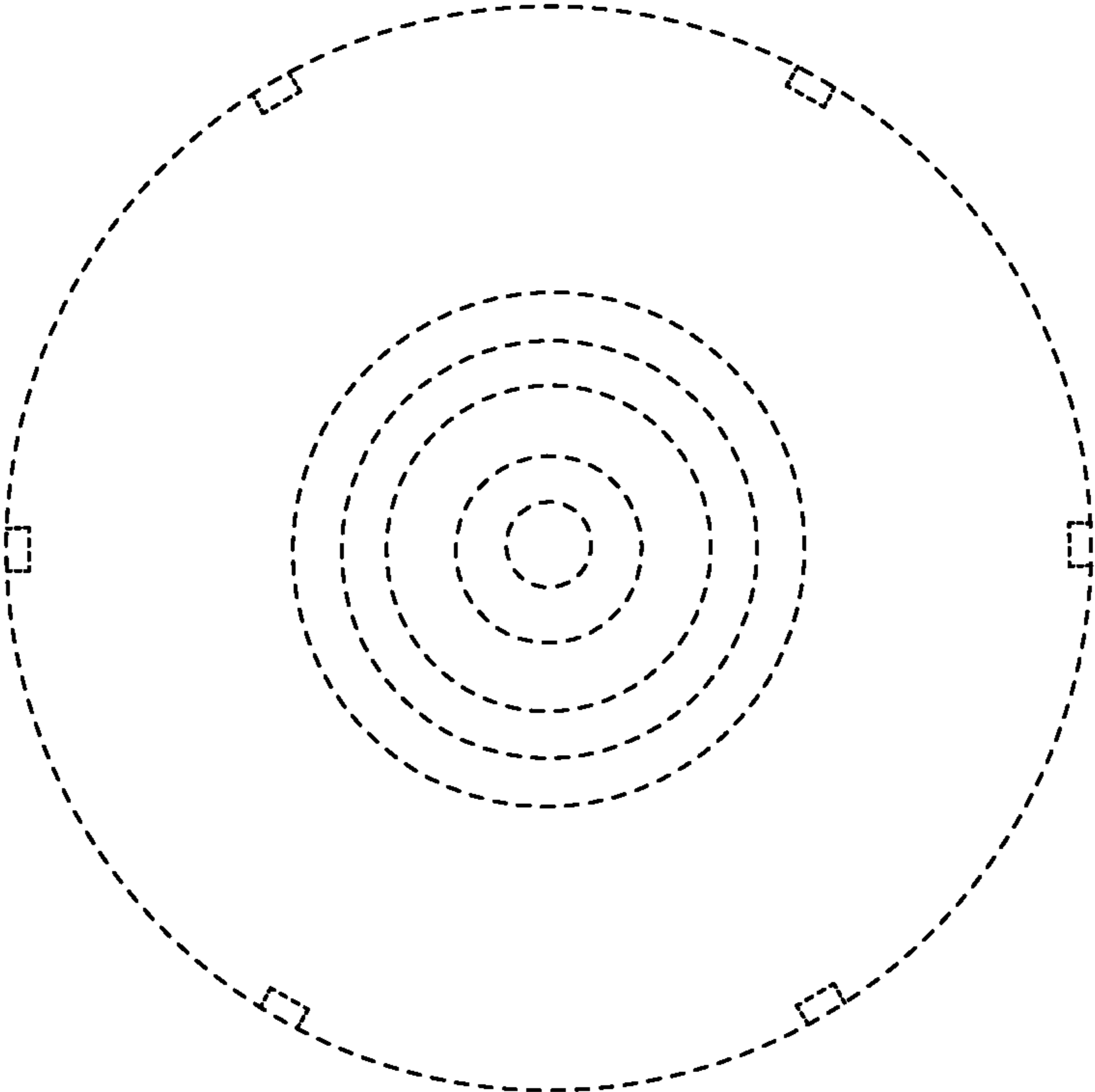


FIG. 3

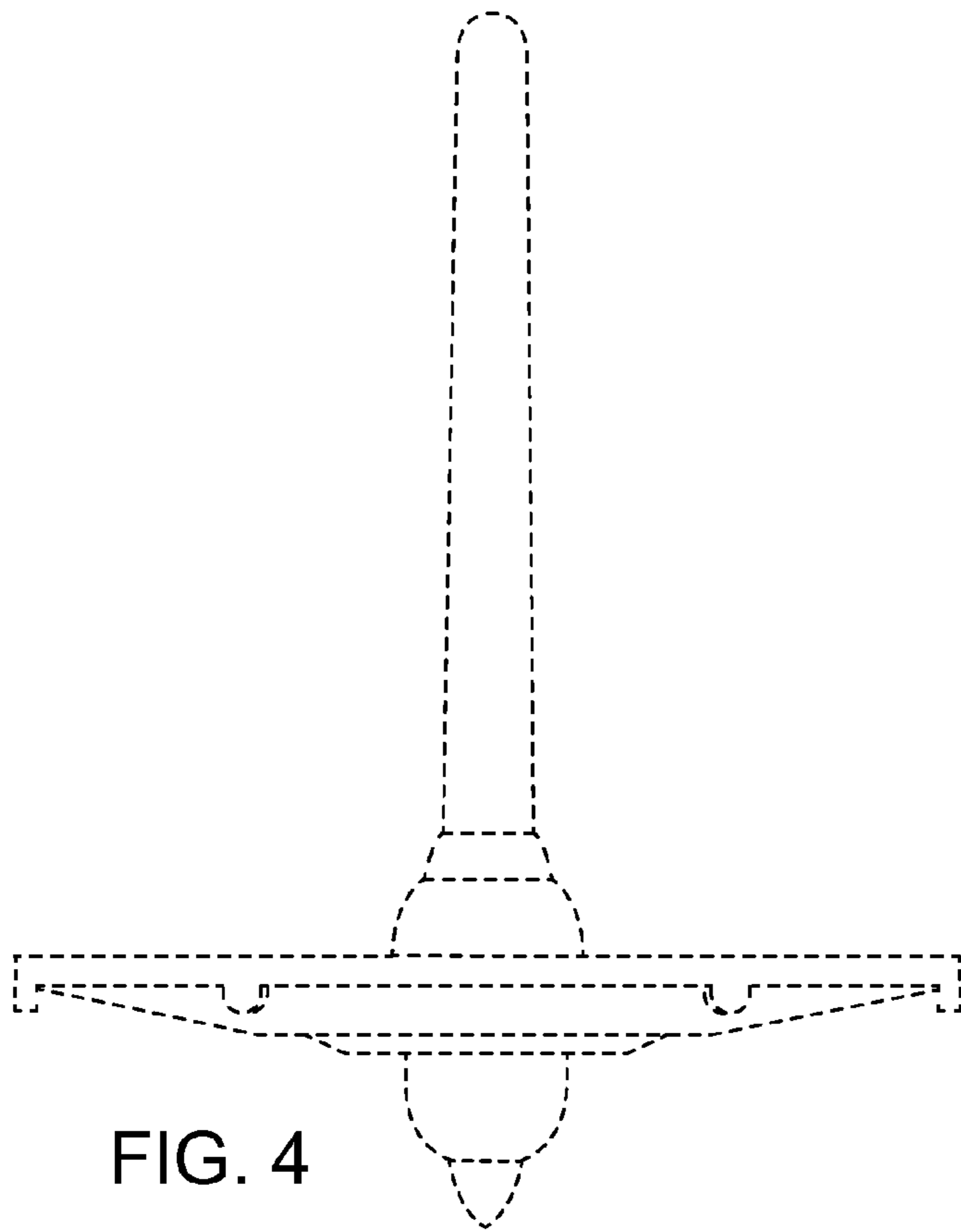


FIG. 4

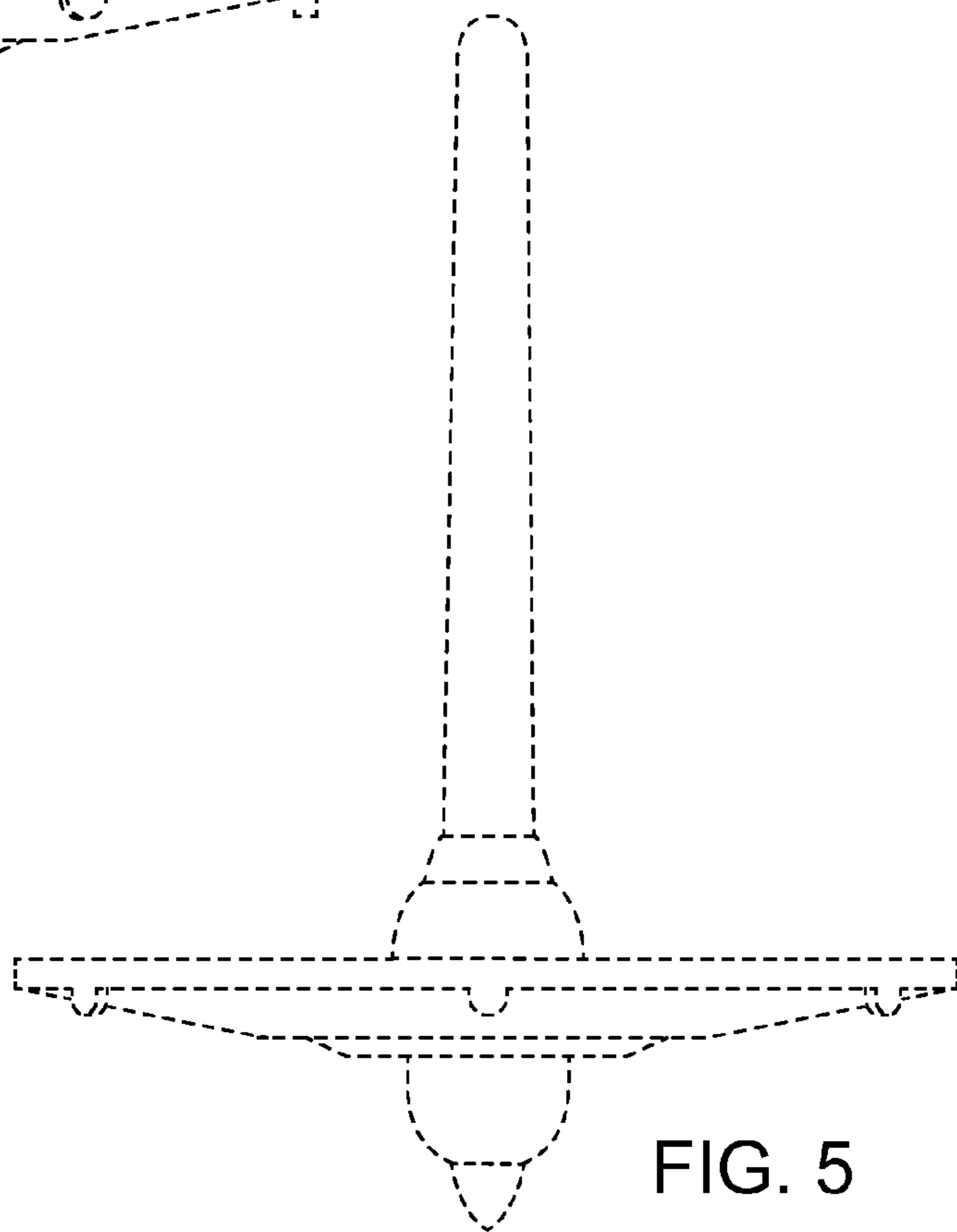


FIG. 5

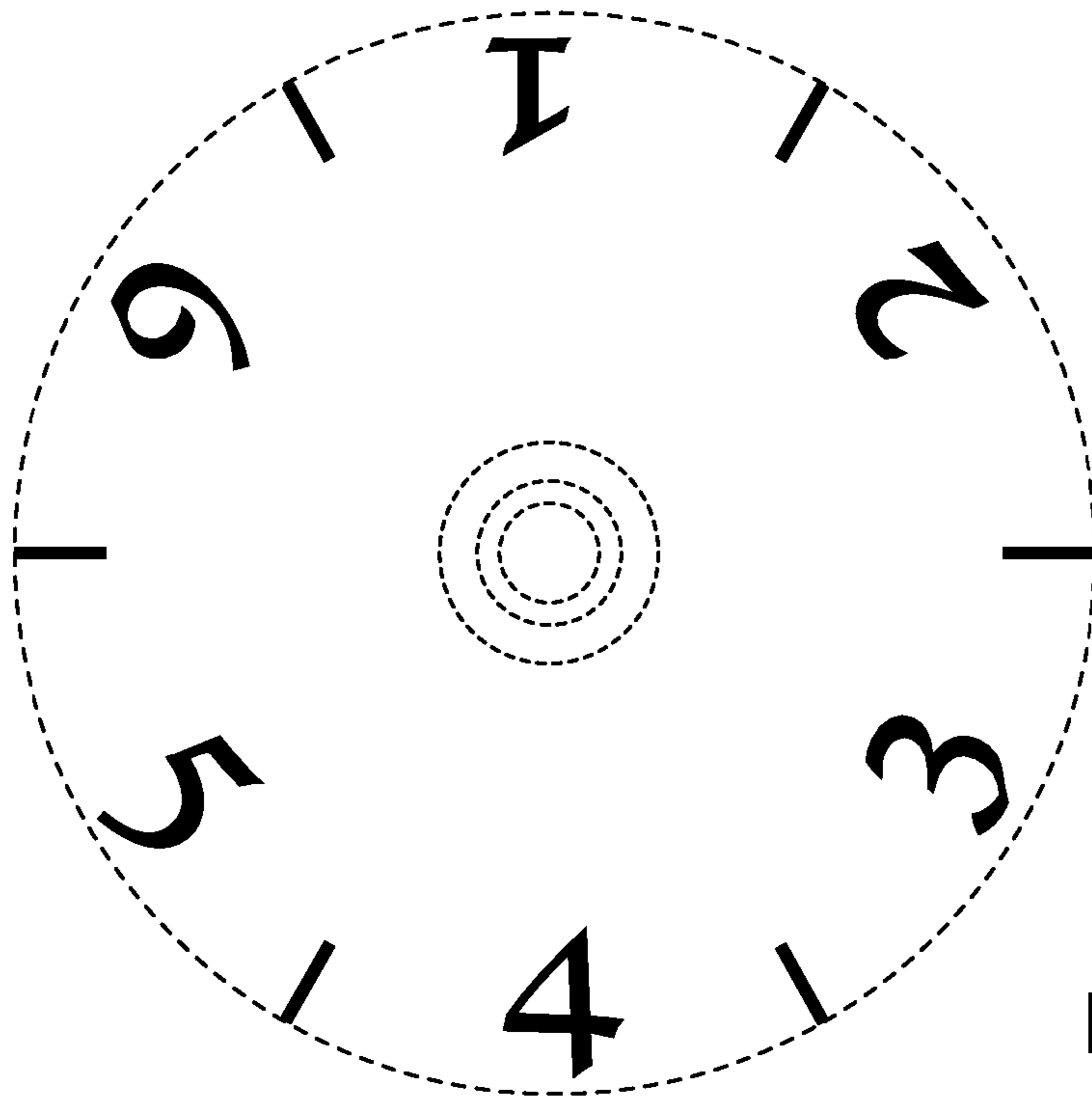


FIG. 6

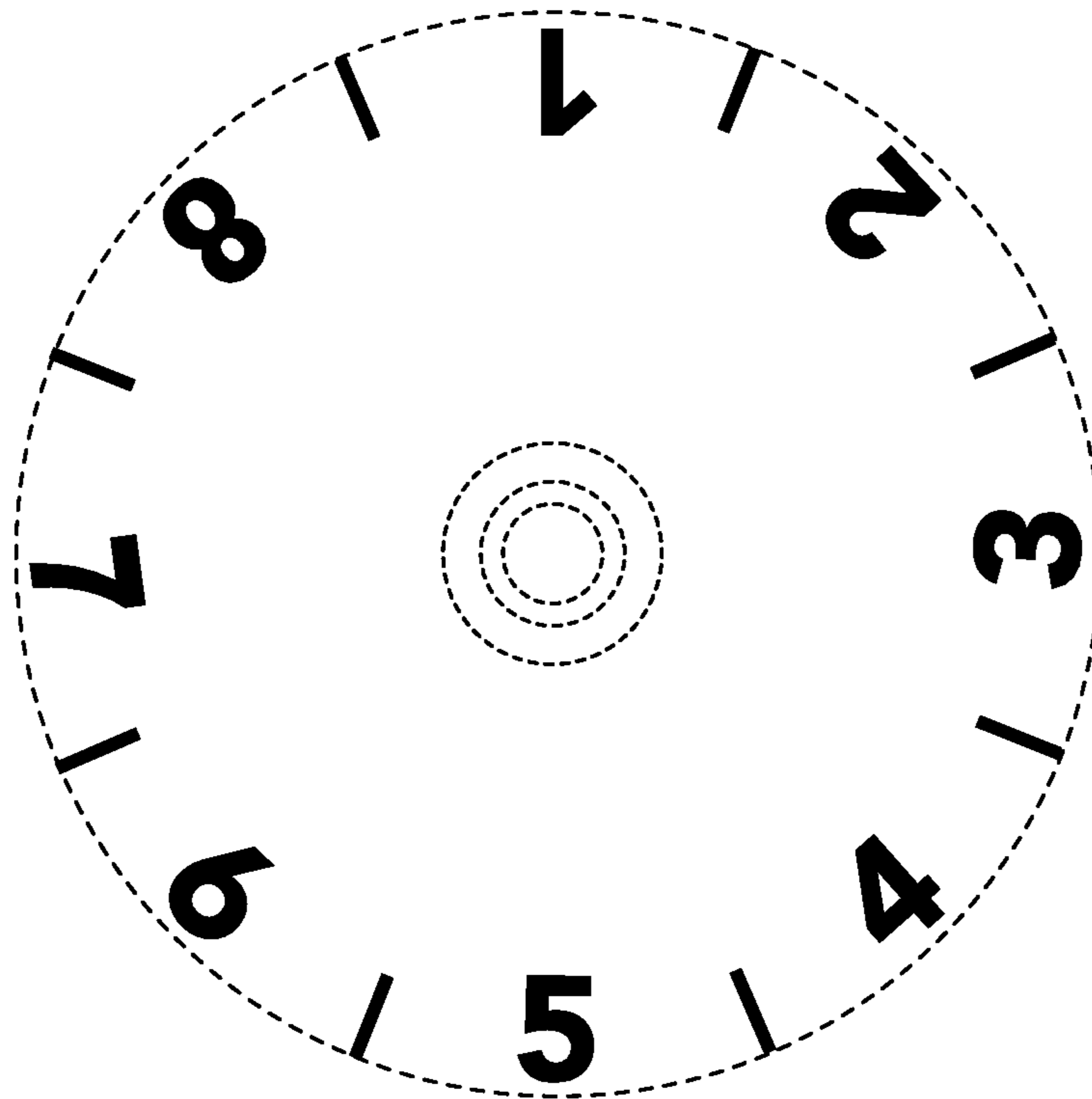


FIG. 7

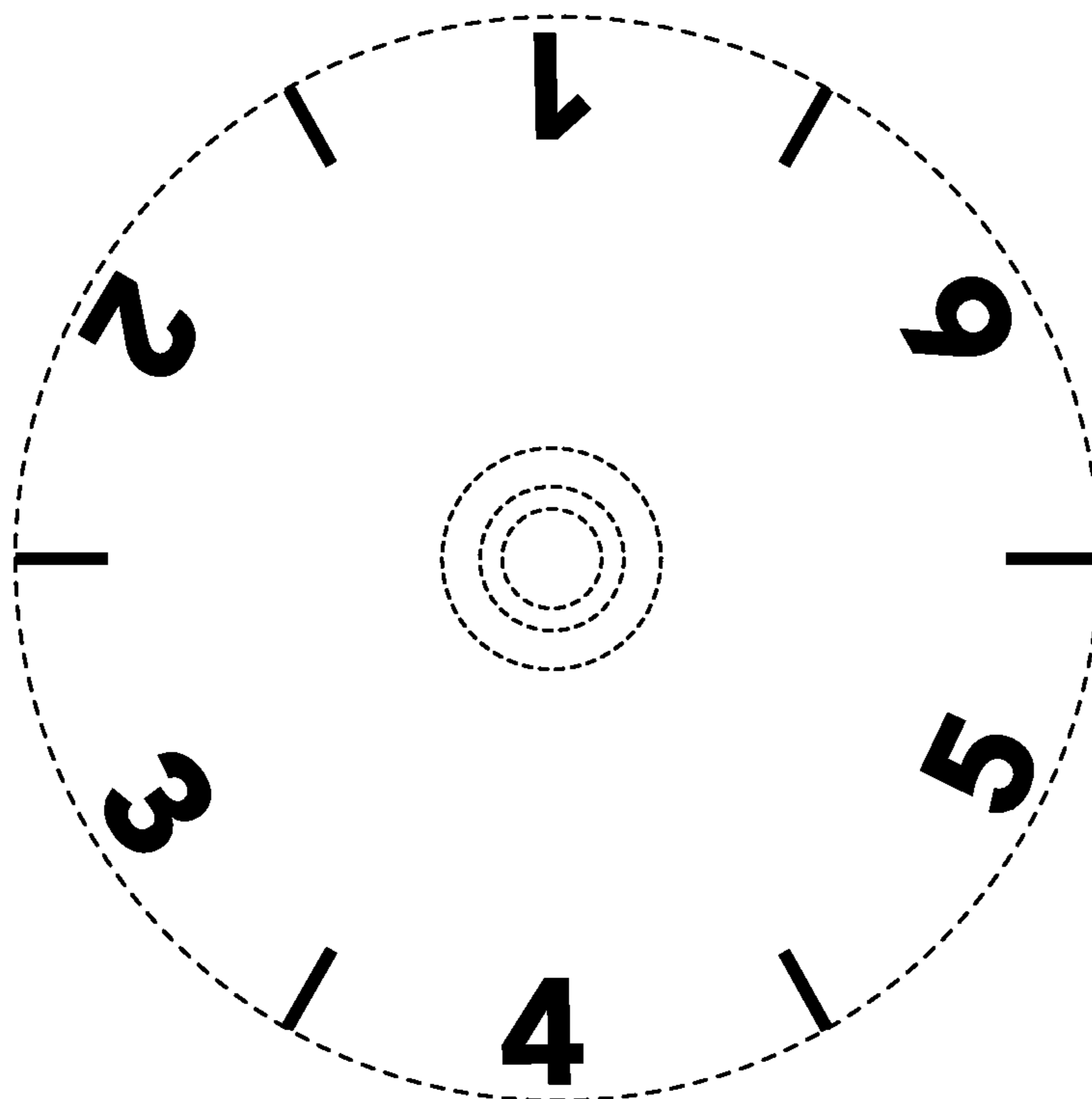


FIG. 8