



US00D687103S

(12) **United States Design Patent**
Toth

(10) **Patent No.:** **US D687,103 S**
(45) **Date of Patent:** **** Jul. 30, 2013**

(54) **BEZEL FOR A DOCUMENT VALIDATOR**

(71) Applicant: **JCM American Corporation**, Las Vegas, NV (US)

(72) Inventor: **Scott A Toth**, Henderson, NV (US)

(73) Assignee: **JCM American Corporation**, Las Vegas, NV (US)

(**) Term: **14 Years**

(21) Appl. No.: **29/433,454**

(22) Filed: **Sep. 28, 2012**

(51) **LOC (9) Cl.** **20-01**

(52) **U.S. Cl.**
USPC **D20/8**

(58) **Field of Classification Search**
USPC D20/1-9; 194/205, 206, 244, 321,
194/345, 346, 350; D14/385; D18/3.3, 4.4,
D18/12, 49; D99/28, 43; 235/381
See application file for complete search history.

(56) **References Cited**

U.S. PATENT DOCUMENTS

D247,828 S * 5/1978 Moore et al. D20/8
D359,765 S * 6/1995 Izawa D20/9

D488,512 S * 4/2004 Knobel D20/8
D490,473 S * 5/2004 Knobel D20/8
D523,482 S * 6/2006 Uemizo D20/8
D547,806 S * 7/2007 Uemizo D20/8
D628,576 S * 12/2010 Daniel D14/385
2007/0267488 A1 * 11/2007 Chang 235/381
2008/0011832 A1 * 1/2008 Chang 235/381

* cited by examiner

Primary Examiner — Mary Ann Calabrese

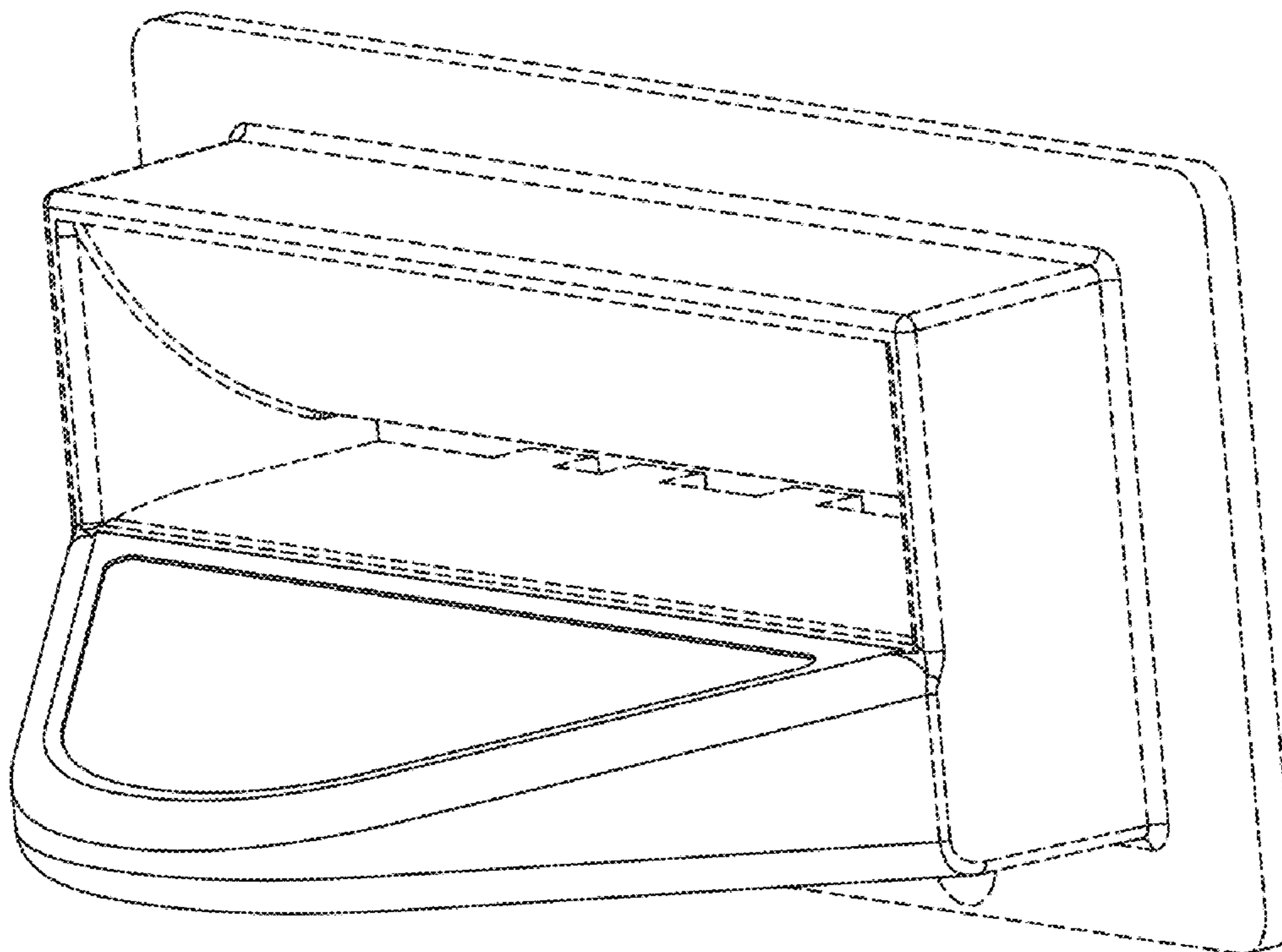
(57) **CLAIM**

The ornamental design for a bezel for a document validator, as shown and described.

DESCRIPTION

FIG. 1 is a perspective view of a bezel for a document validator showing the design;
FIG. 2 is a right side view of a bezel for a document validator;
FIG. 3 is a left side view a bezel for a document validator;
FIG. 4 is a front view of a bezel for a document validator;
FIG. 5 is a rear view of a bezel for a document validator;
FIG. 6 is a top view of a bezel for a document validator; and,
FIG. 7 is a bottom view of a bezel for a document validator.
Broken lines shown in the figures represent unclaimed portions of the bezel for a document validator.

1 Claim, 4 Drawing Sheets



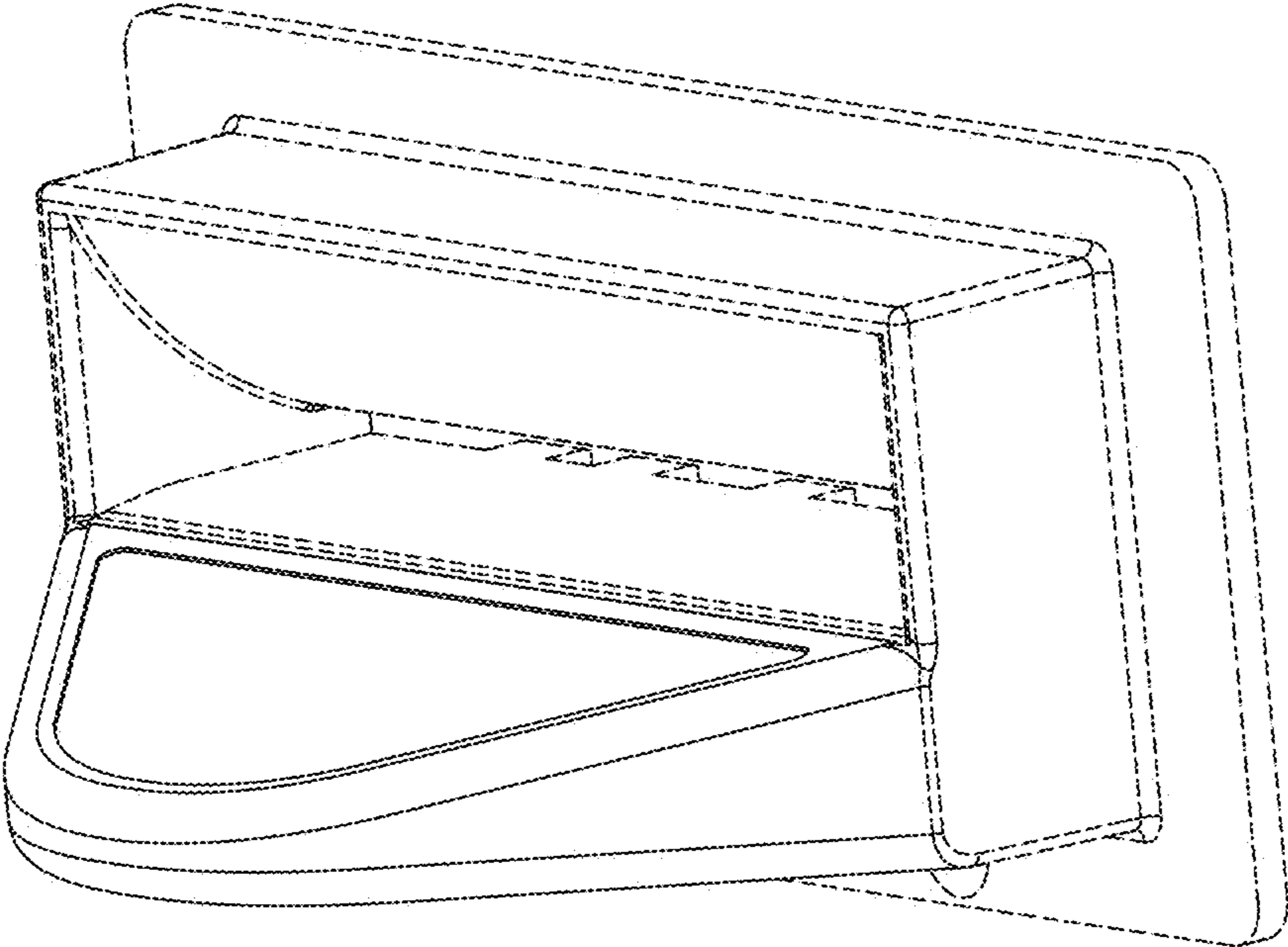


FIG. 1

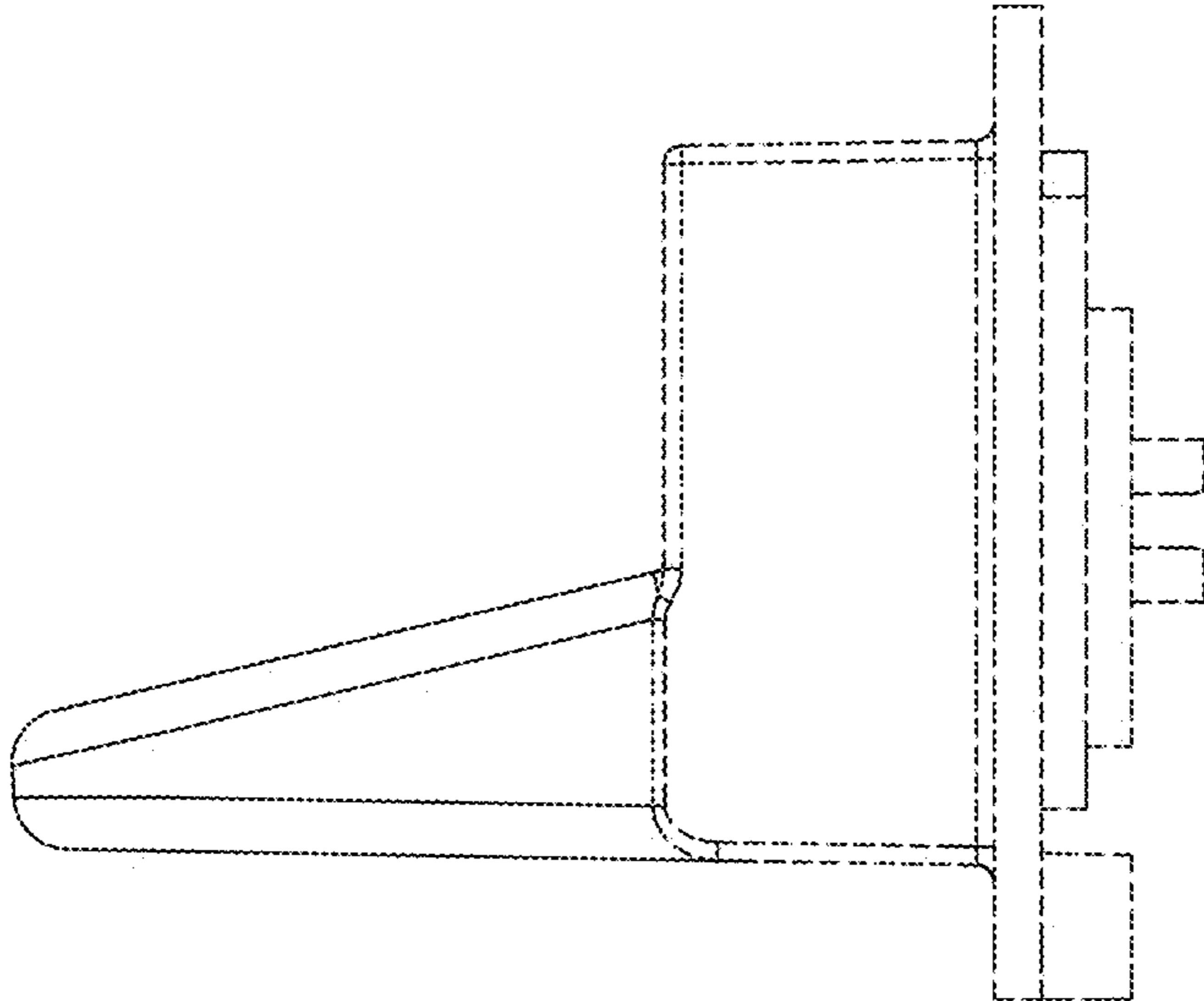


FIG. 2

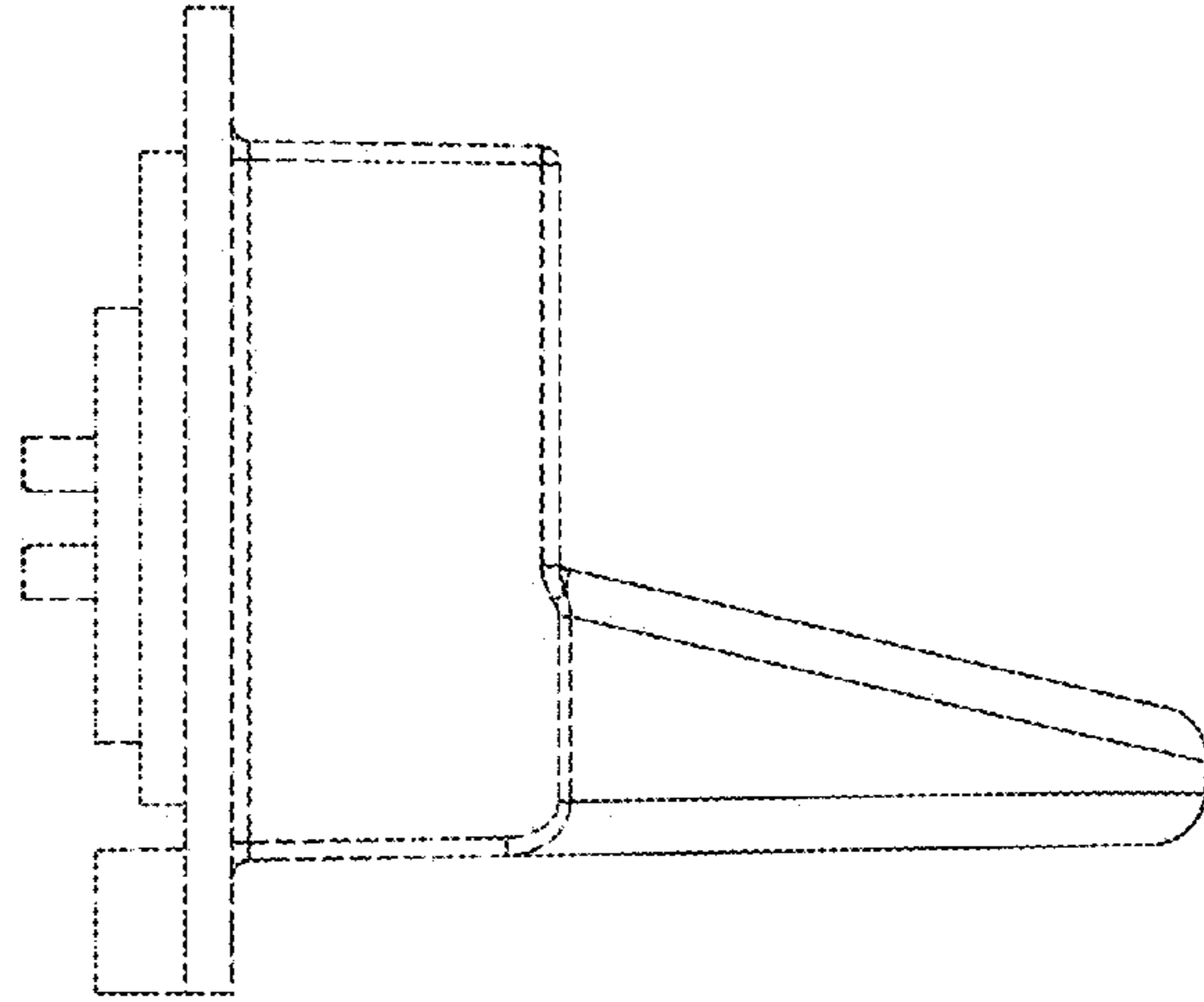


FIG. 3

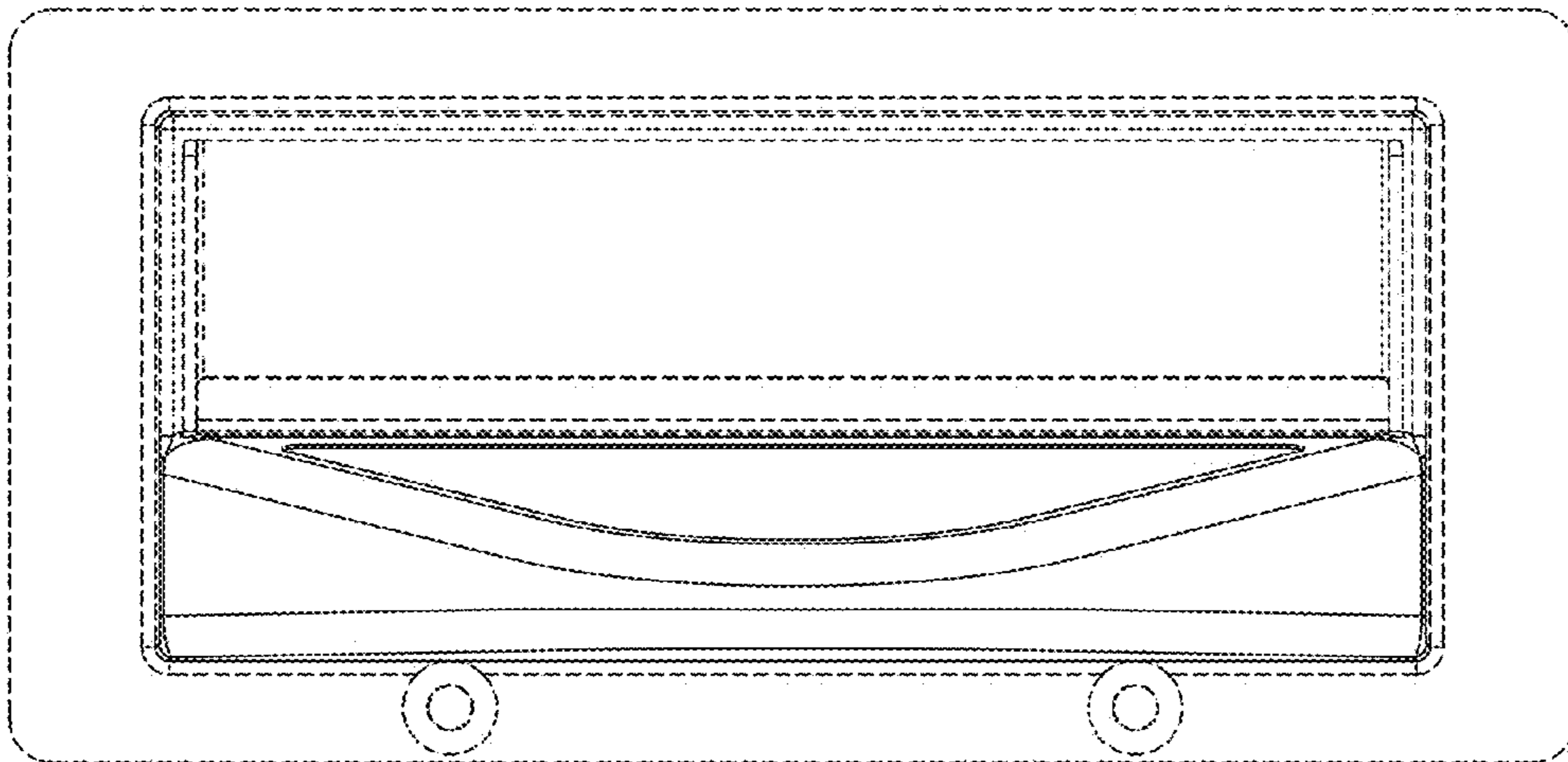


FIG. 4

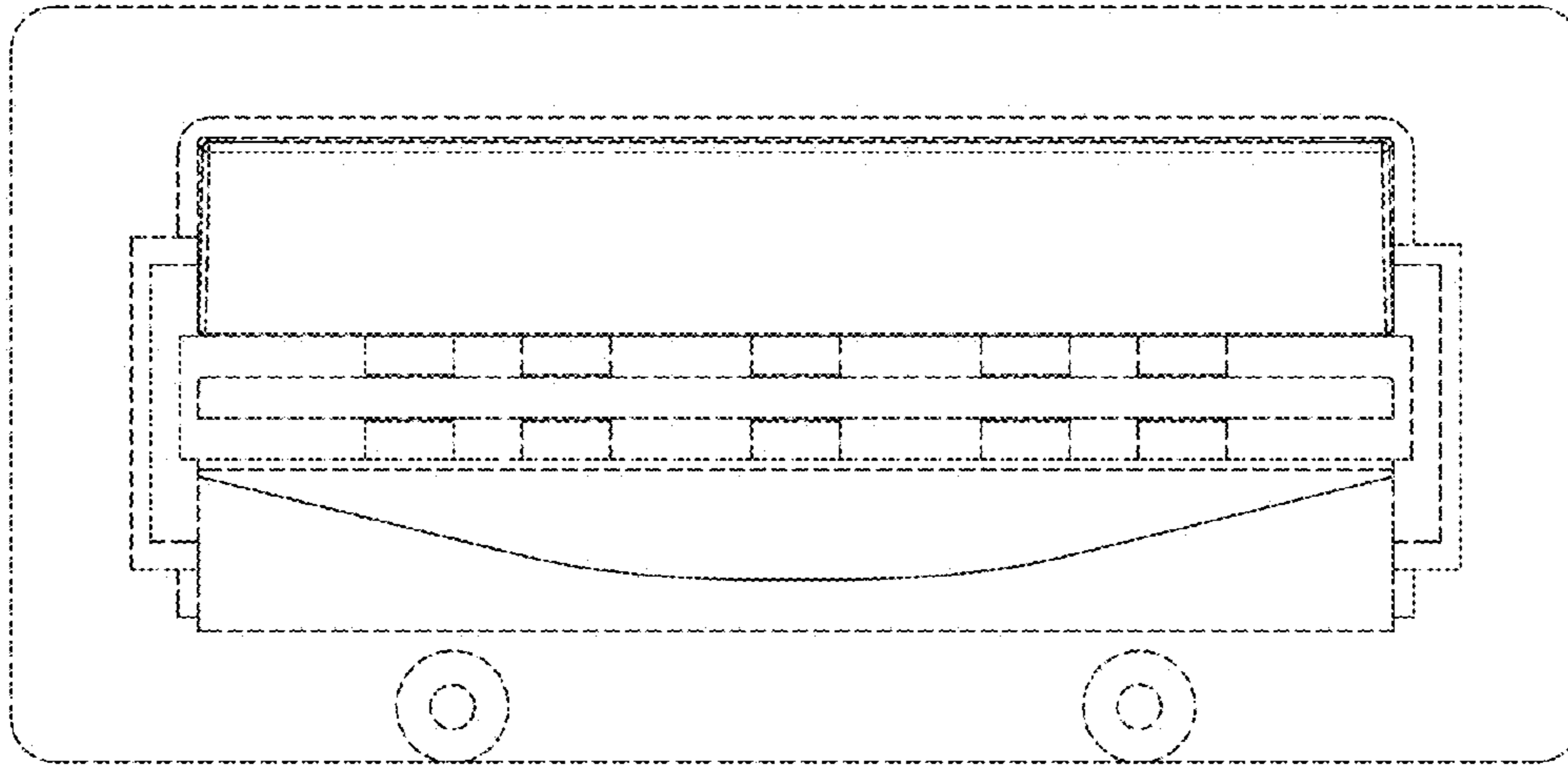


FIG. 5

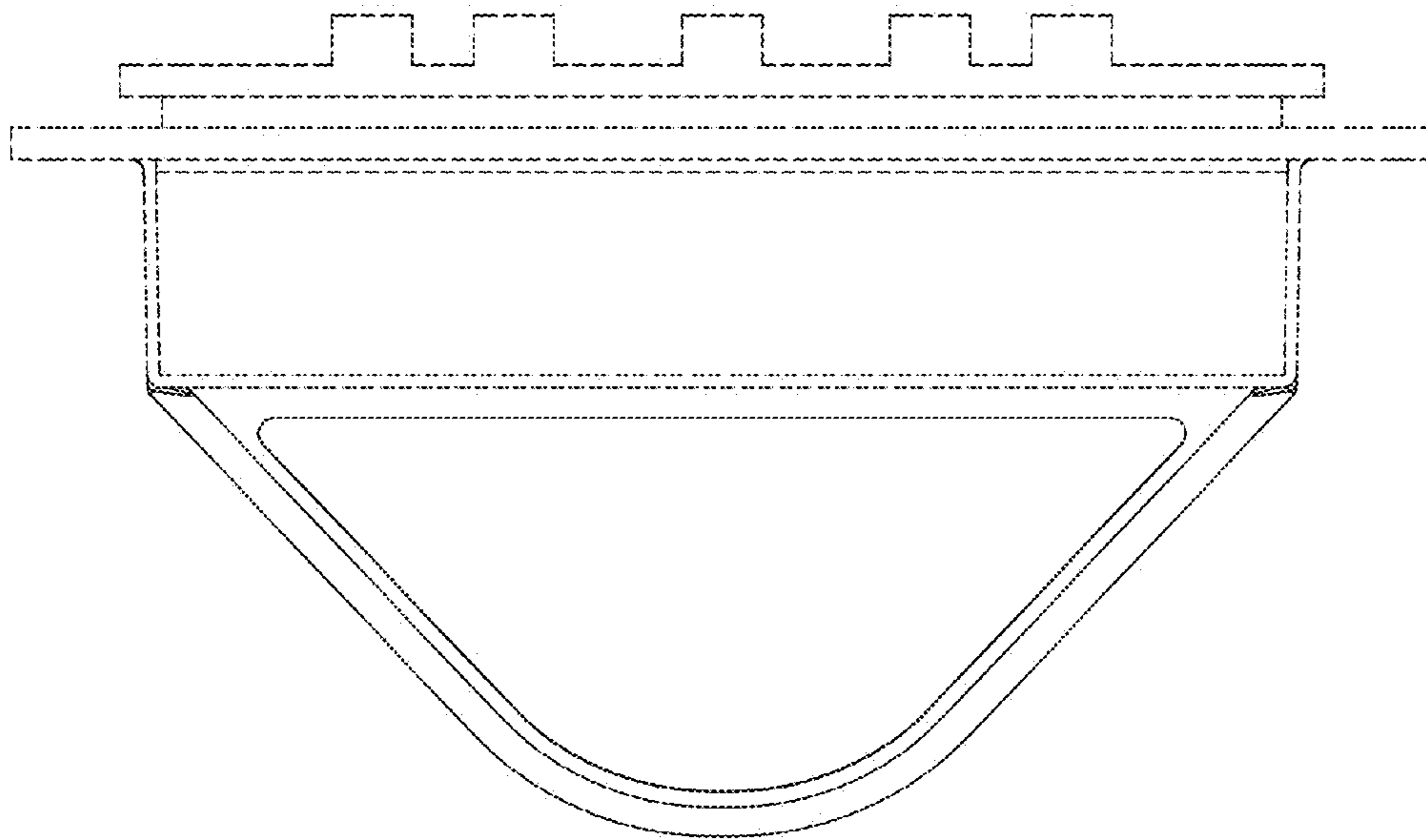


FIG. 6

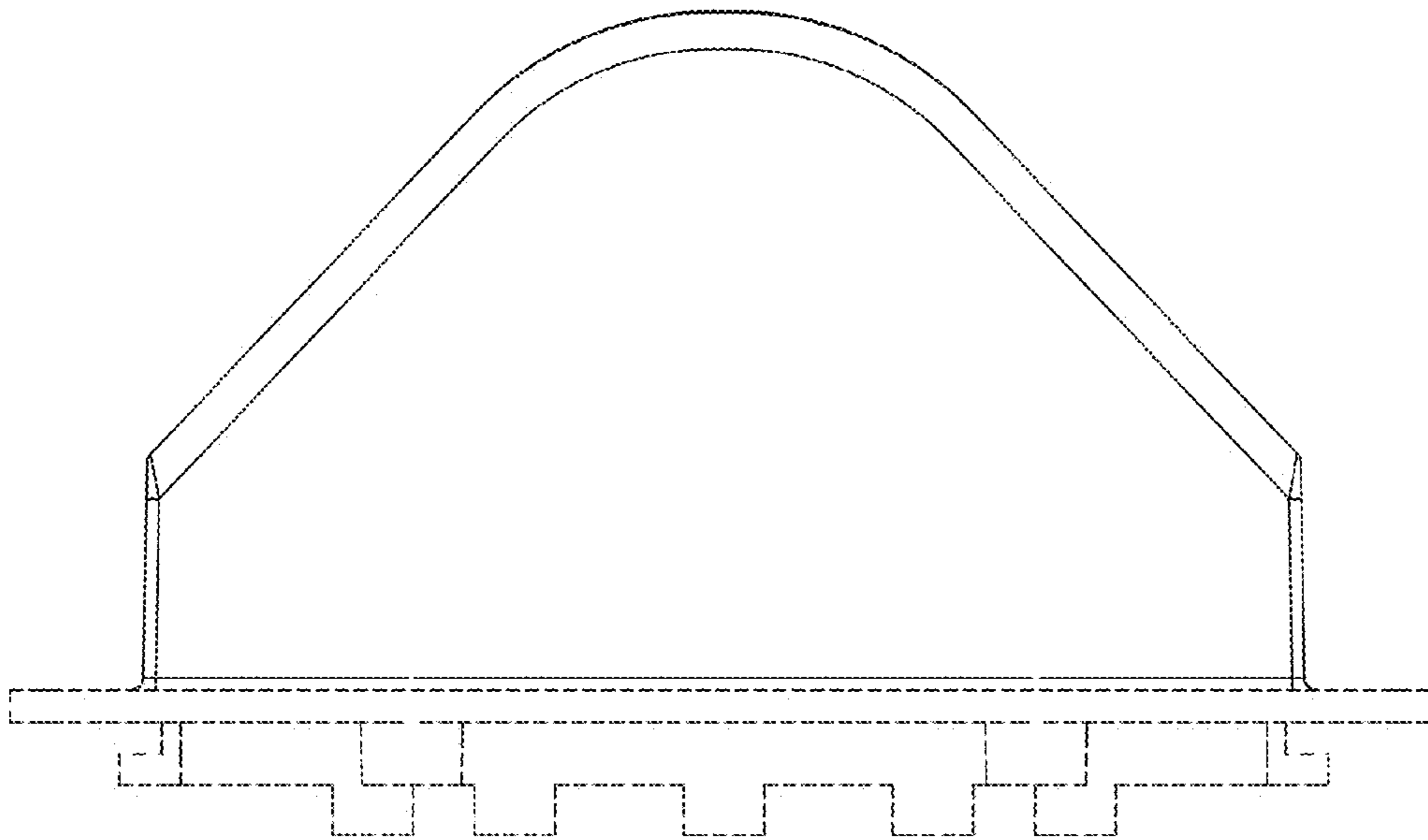


FIG. 7