



US00D687102S

(12) **United States Design Patent**
Chandaria

(10) **Patent No.:** **US D687,102 S**
(45) **Date of Patent:** **** Jul. 30, 2013**

- (54) **STANDING TAPE DISPENSER**
- (71) Applicant: **Kitaru Innovations Inc.**, St. James (BB)
- (72) Inventor: **Kapoor Chandaria**, Nairobi (KE)
- (73) Assignee: **Kitaru Innovations Inc.**, Lascelles, St. James (BB)
- (**) Term: **14 Years**
- (21) Appl. No.: **29/450,771**
- (22) Filed: **Mar. 22, 2013**

Related U.S. Application Data

- (63) Continuation-in-part of application No. 29/438,254, filed on Nov. 28, 2012.
- (51) **LOC (9) Cl.** **19-02**
- (52) **U.S. Cl.**
USPC **D19/69**
- (58) **Field of Classification Search**
USPC D19/70, 69, 36, 68; 242/588.6, 588.2;
225/77, 6, 56, 39, 26, 25, 19, 11; 206/411;
156/577, 527, 523
See application file for complete search history.

(56) **References Cited**

U.S. PATENT DOCUMENTS

D259,643	S	6/1981	Pearson
4,627,560	A	12/1986	Samuelson
4,961,525	A	10/1990	Corbo et al.
D362,684	S	9/1995	Samuelson et al.
5,468,332	A	11/1995	Dretzka et al.
5,672,238	A	9/1997	Samuelson
5,820,005	A	10/1998	Perkitny et al.
D423,054	S	4/2000	Harris

D442,227	S	5/2001	Carlson et al.	
D448,413	S	9/2001	Carlson et al.	
6,669,070	B2 *	12/2003	Huang	225/56
D490,469	S	5/2004	Chandaria	
D491,985	S	6/2004	Mueller et al.	
D507,020	S	7/2005	Mueller et al.	
7,093,640	B2 *	8/2006	Chandaria	156/527
D529,093	S	9/2006	Gullicks et al.	
D533,594	S	12/2006	Gullicks et al.	
D533,905	S	12/2006	Gullicks et al.	
D534,589	S	1/2007	Gullicks et al.	
D568,400	S *	5/2008	Packard et al.	D19/69
D573,645	S	7/2008	Sommers et al.	
D588,646	S *	3/2009	Vulpitta	D19/69
D664,201	S *	7/2012	Packard et al.	D19/69
D665,027	S *	8/2012	Packard et al.	D19/69
2002/0079346	A1	6/2002	Yu	

* cited by examiner

Primary Examiner — Austin Murphy

(74) *Attorney, Agent, or Firm* — Sand & Sebolt

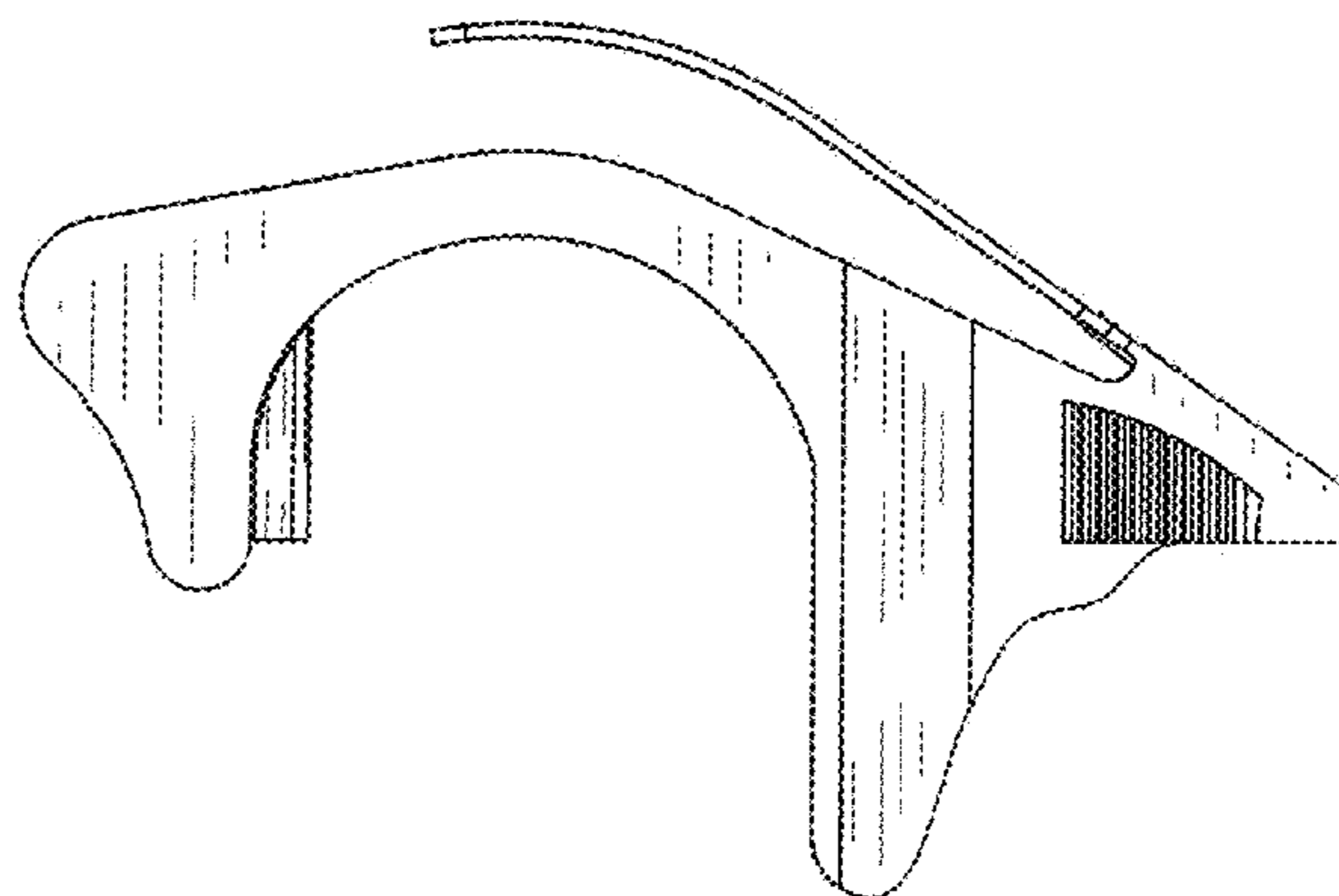
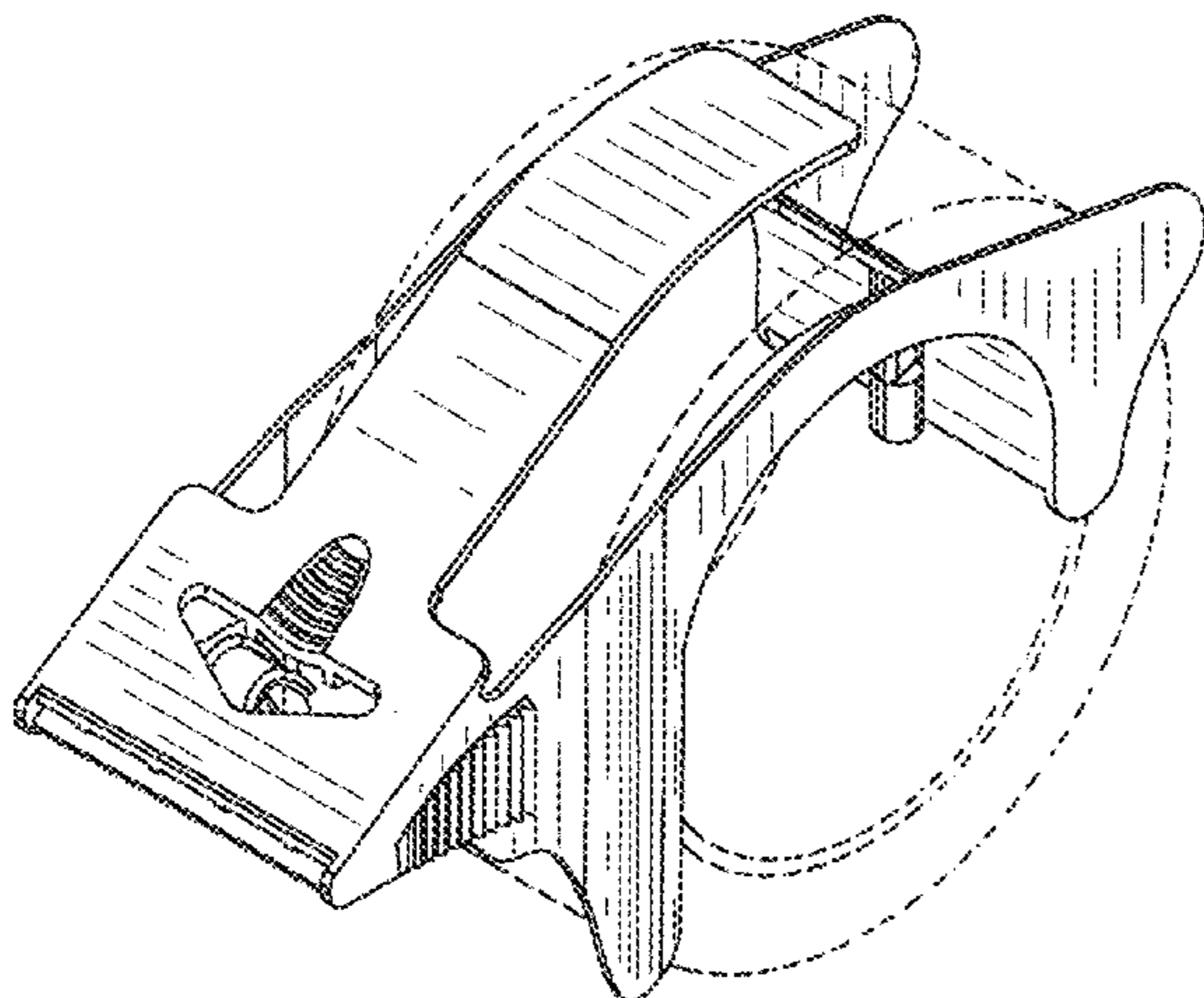
(57) **CLAIM**

The ornamental design for standing tape dispenser, as shown and described.

DESCRIPTION

FIG. 1 is a perspective of the standing tape dispenser in accordance with my design;
 FIG. 2 is a left side view thereof;
 FIG. 3 is a right side view thereof;
 FIG. 4 is a top view thereof;
 FIG. 5 is a bottom view thereof;
 FIG. 6 is a front view thereof; and,
 FIG. 7 is a rear view thereof.
 The roll of tape shown in broken lines forms no part of the claimed design.

1 Claim, 7 Drawing Sheets



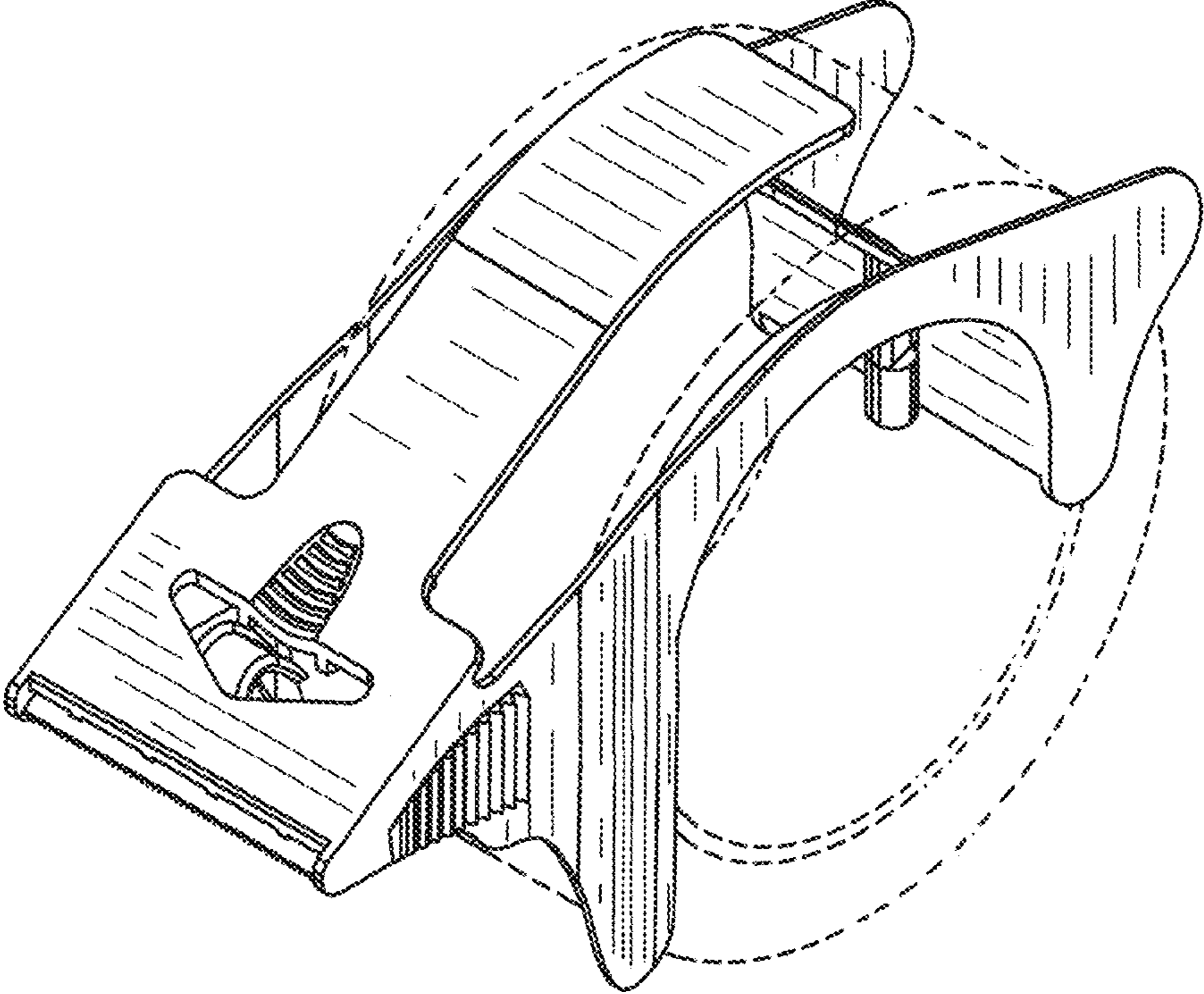


FIG. 01

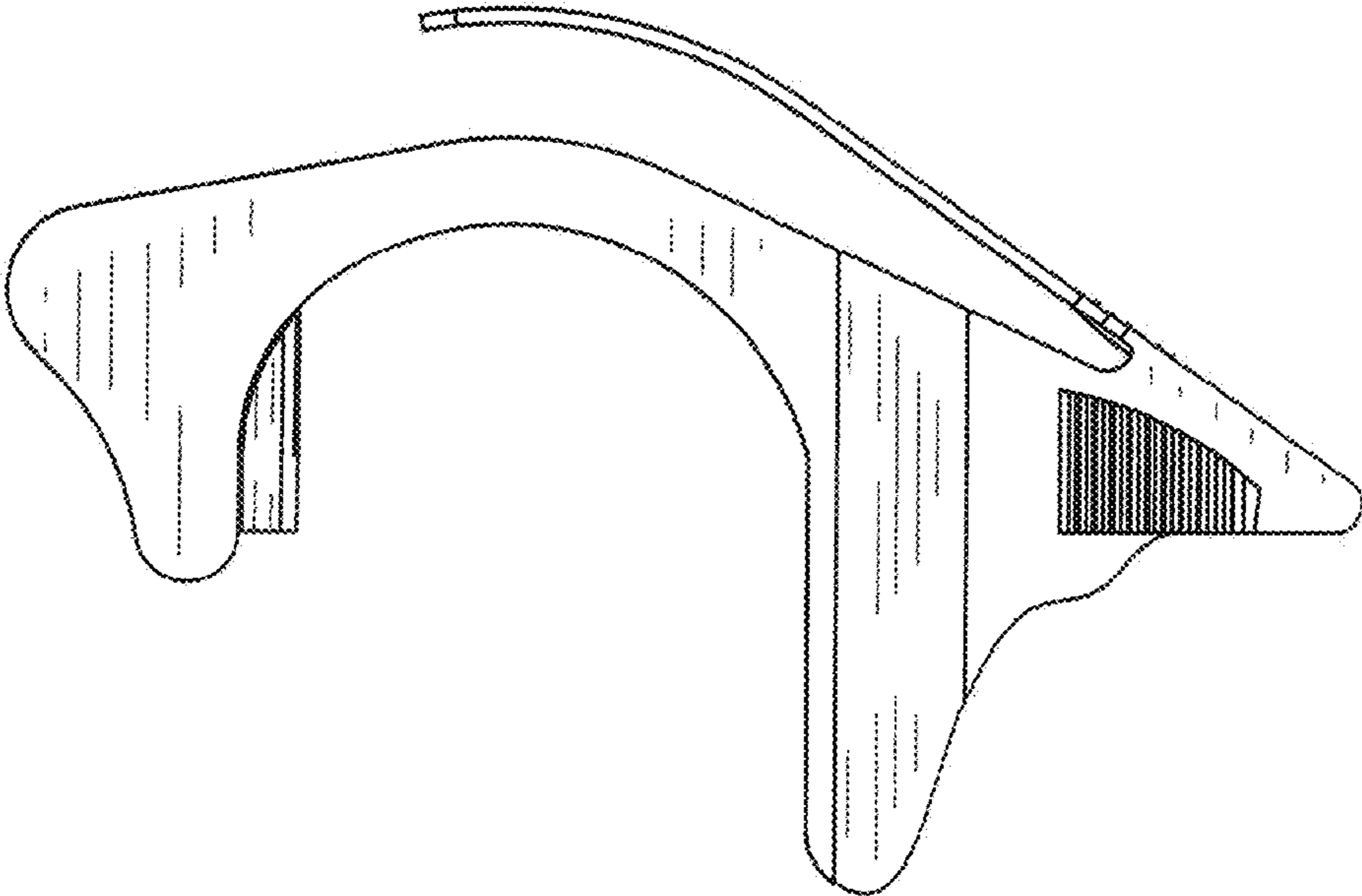


FIG. 02

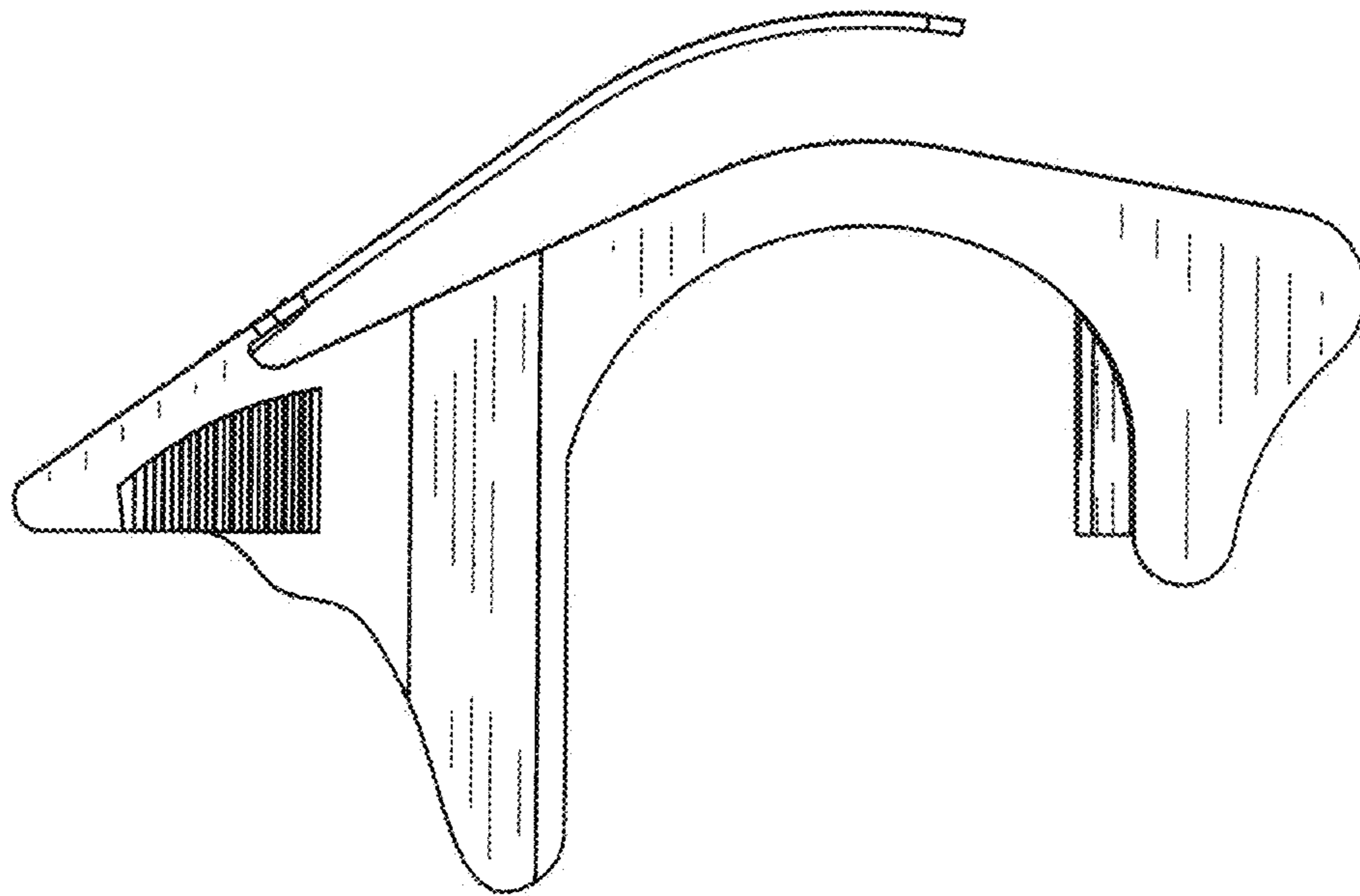


FIG. 03

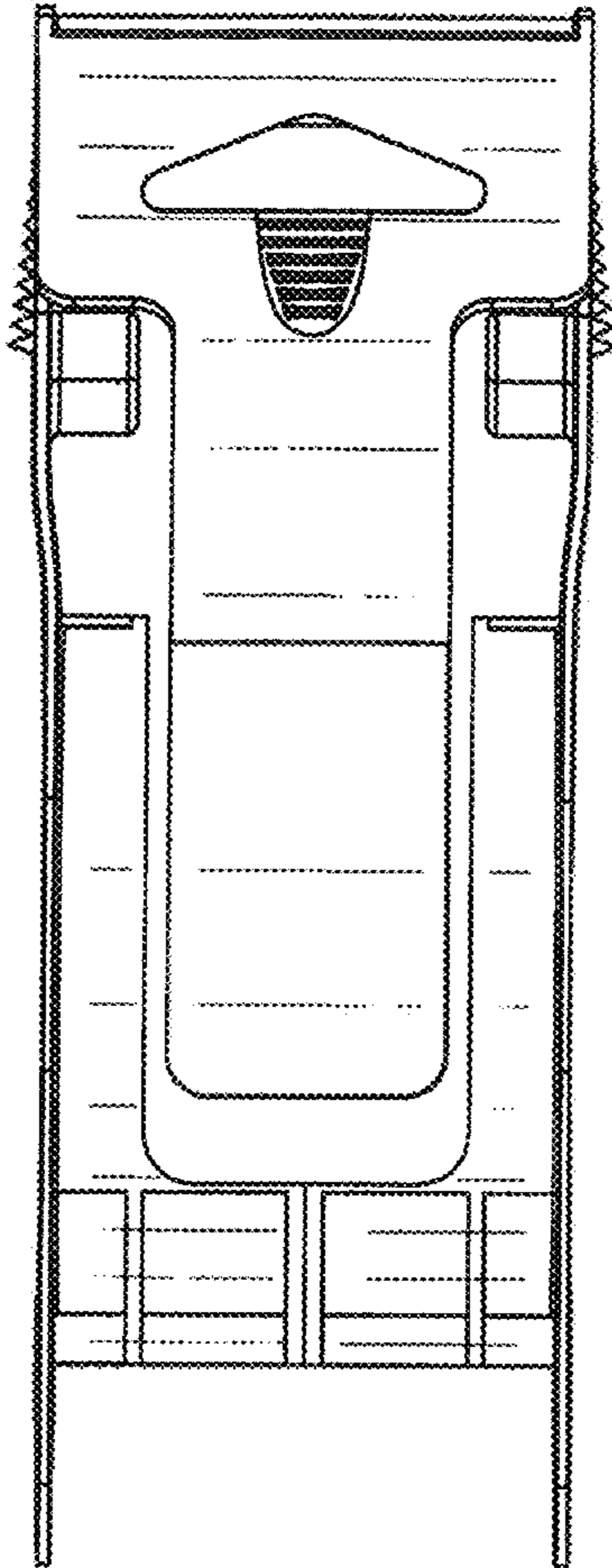


FIG. 04

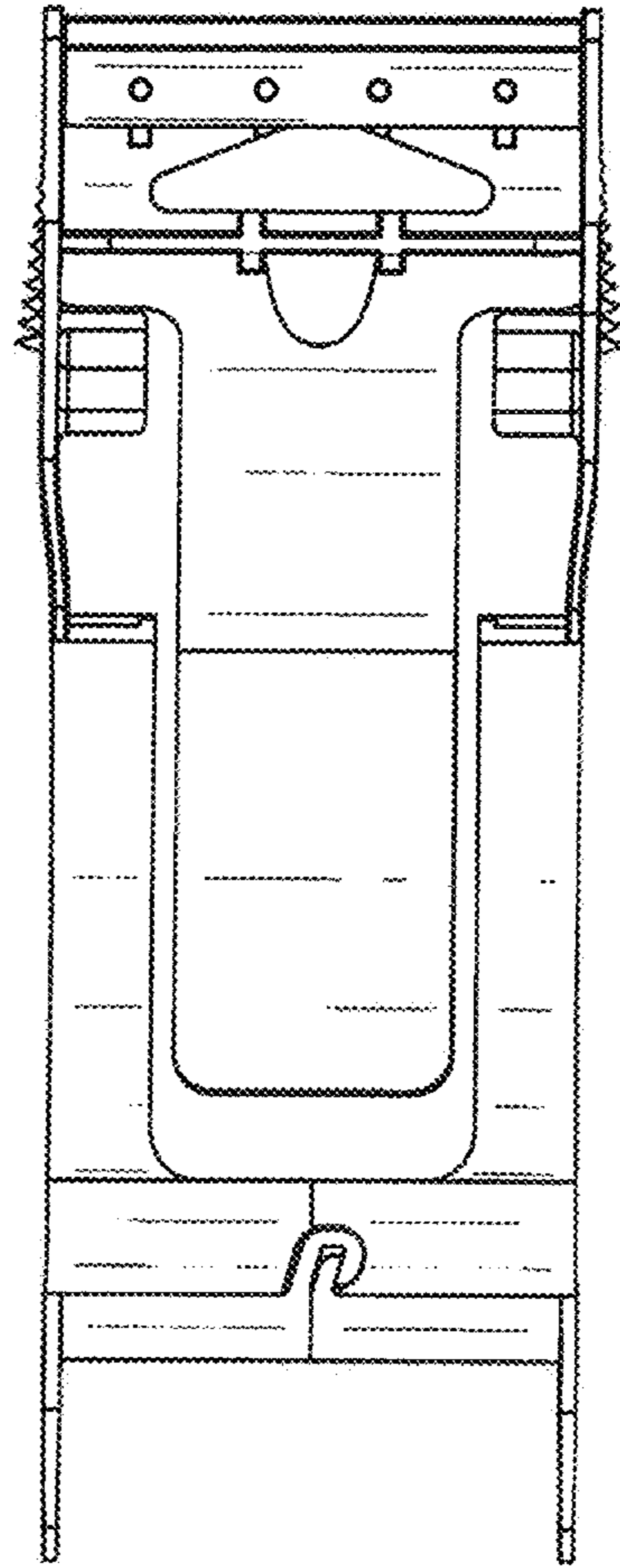


FIG. 05

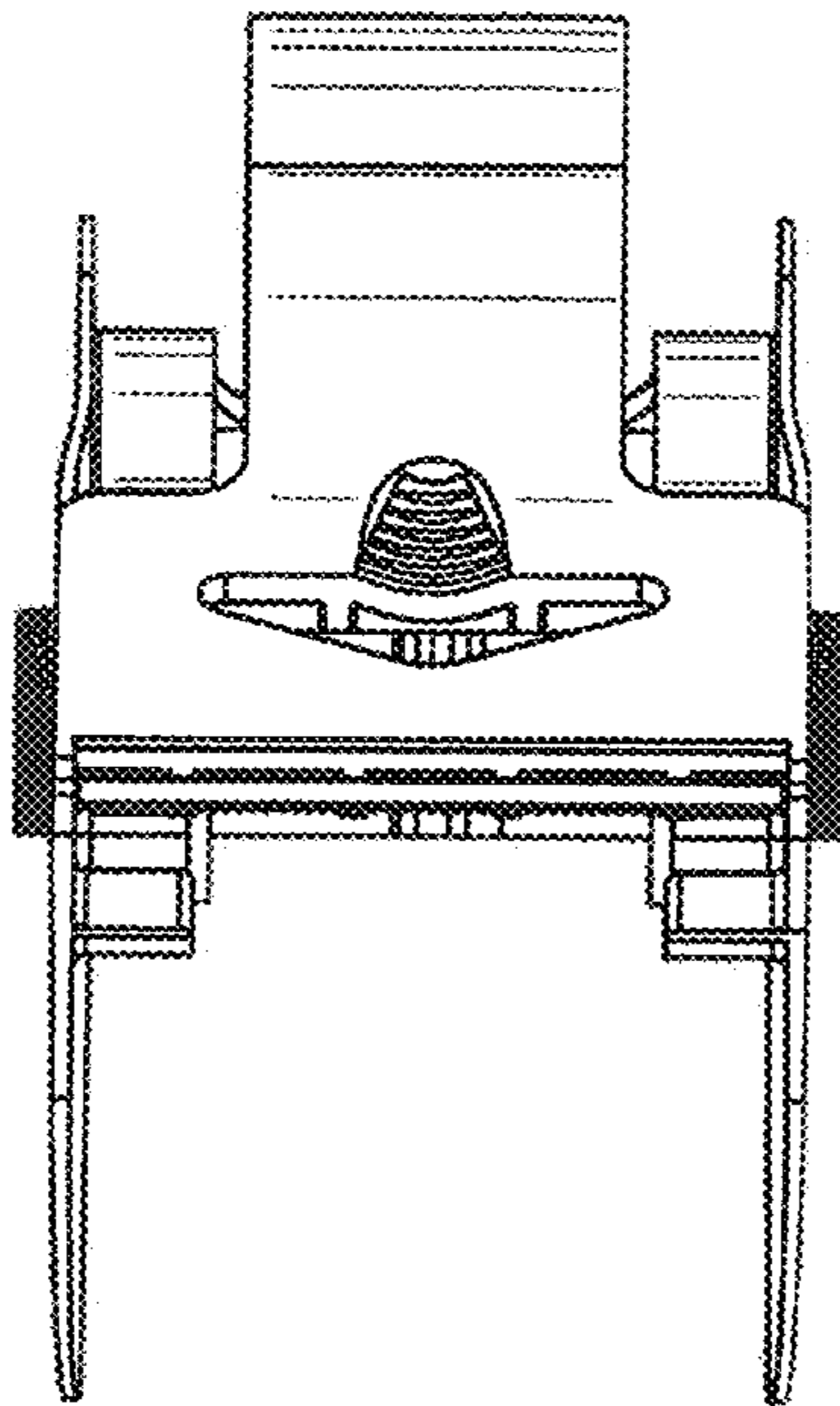


FIG. 06

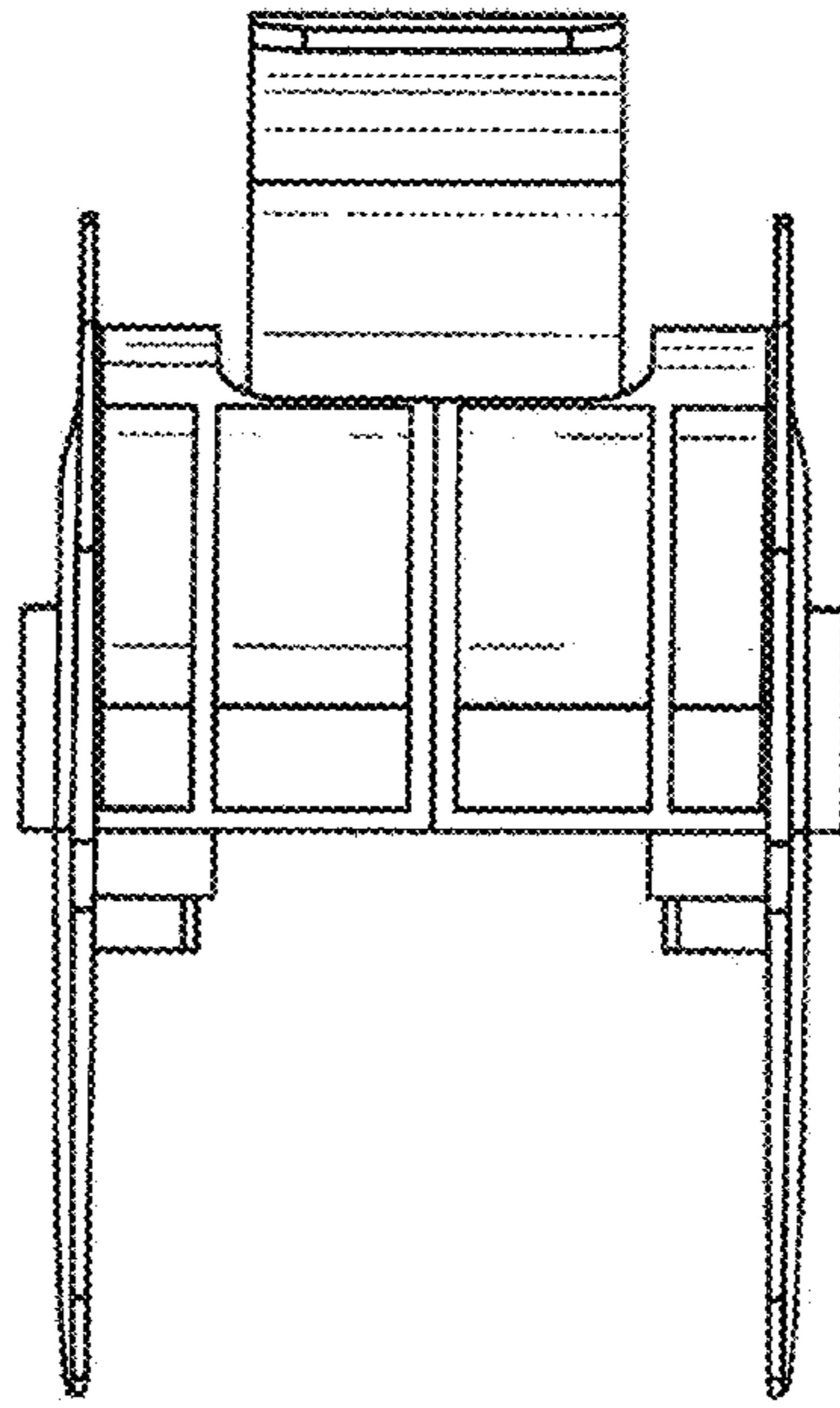


FIG. 07