

US00D687101S

(12) **United States Design Patent**  
**Sternberg**

(10) **Patent No.:** **US D687,101 S**

(45) **Date of Patent:** **\*\* Jul. 30, 2013**

(54) **TAKE-UP HUB**

(75) Inventor: **Todd Sternberg**, Dallas, TX (US)

(73) Assignee: **Start Manufacturing, Inc.**, Addison, TX (US)

(\*\*) Term: **14 Years**

(21) Appl. No.: **29/410,370**

(22) Filed: **Jan. 6, 2012**

(51) **LOC (9) Cl.** ..... **19-02**

(52) **U.S. Cl.**  
USPC ..... **D19/69**

(58) **Field of Classification Search**  
USPC ..... D12/207; D19/67-69, 99-100; 156/361,  
156/510, 527, 577; 221/70, 73; 242/588.3,  
242/588.6, 613.4, 614  
See application file for complete search history.

(56) **References Cited**

**U.S. PATENT DOCUMENTS**

D217,052	S *	3/1970	Jones	.....	D8/396
D230,264	S *	2/1974	Howard	.....	D25/35
4,389,934	A	6/1983	Holland-Letz		
4,497,420	A	2/1985	Stelcher et al.		
4,543,095	A *	9/1985	Jensen	.....	604/246
4,986,524	A	1/1991	Meintzer, Jr. et al.		
5,056,945	A *	10/1991	Klodt	.....	401/6
D336,493	S *	6/1993	Brussing	.....	D19/98
D340,942	S *	11/1993	Smith	.....	D17/99
5,279,469	A	1/1994	Foit		
5,445,703	A *	8/1995	Steeves et al.	.....	156/544
5,674,350	A	10/1997	Jurgich		
5,851,348	A	12/1998	Muenzer et al.		
6,390,711	B1 *	5/2002	Brunetti	.....	401/224
7,318,877	B2	1/2008	Harte		
7,717,149	B2	5/2010	Johnson		
D620,979	S *	8/2010	Renner et al.	.....	D19/45

7,919,027	B2 *	4/2011	Nordlinder et al.	.....	264/175
D643,158	S *	8/2011	Lipscomb et al.	.....	D30/133
2002/0117263	A1	8/2002	McKenney et al.		
2006/0096999	A1	5/2006	Horng et al.		
2007/0113986	A1	5/2007	Harte		

**FOREIGN PATENT DOCUMENTS**

DE	202005017265	U1	1/2006
JP	09314947	A	12/1997
JP	11-176463	A	7/1999
JP	2005089035	A	4/2005
JP	2010023964	A	2/2010

**OTHER PUBLICATIONS**

Written Opinion issued Apr. 26, 2013 in corresponding application No. PCT/US2013/020274.

International Search Report issued Apr. 26, 2013 in corresponding application No. PCT/US2013/020274.

\* cited by examiner

*Primary Examiner* — Elizabeth Albert

(74) *Attorney, Agent, or Firm* — Gardere Wynne Sewell LLP

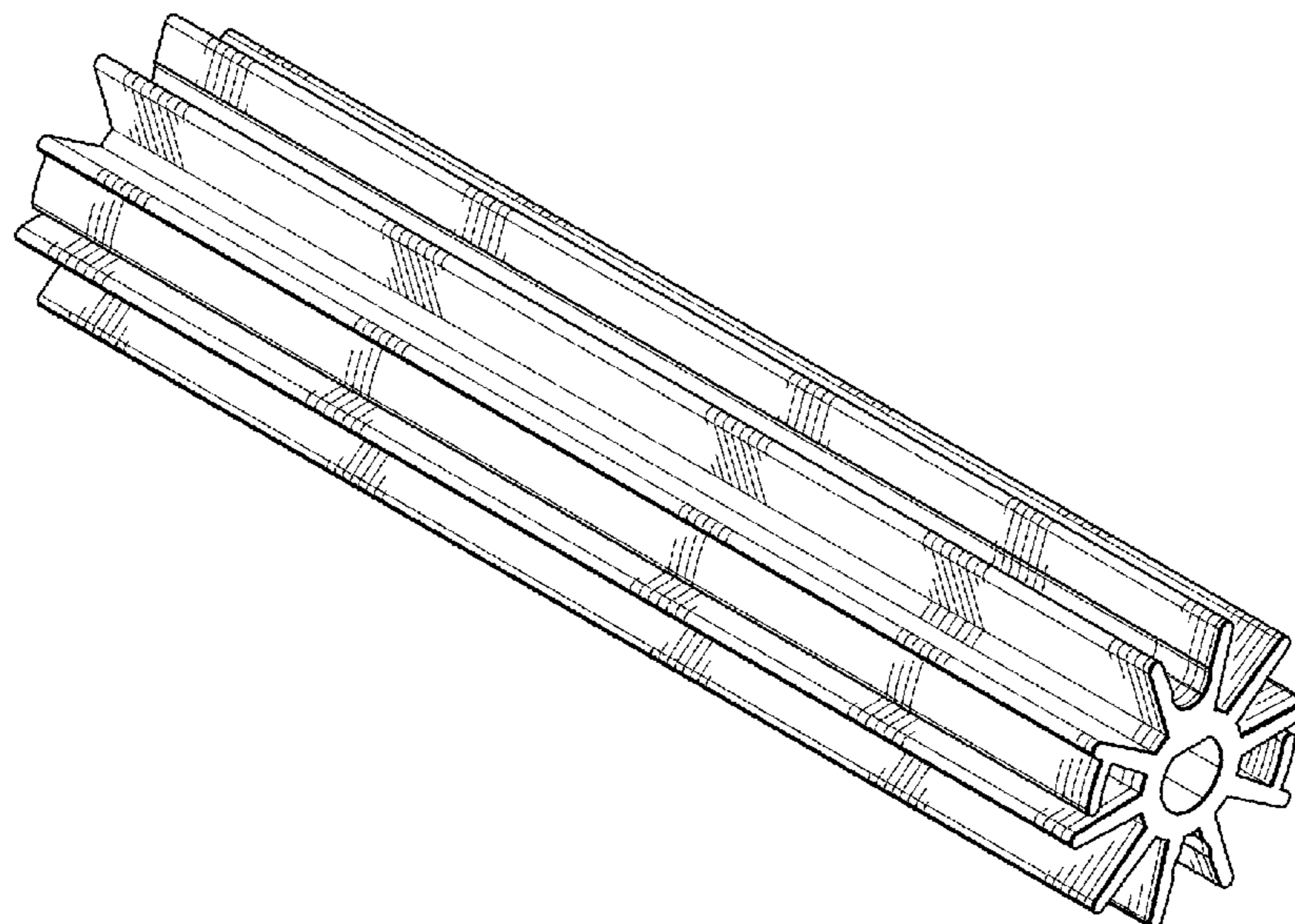
(57) **CLAIM**

The ornamental design for a take-up hub, as shown and described.

**DESCRIPTION**

FIG. 1 is a first perspective view of a take-up hub; FIG. 2 is a front view of the take-up hub shown in FIG. 1; FIG. 3 is a back side view of the take-up hub shown in FIG. 1; FIG. 4 is a right side view of the take-up hub shown in FIG. 1; FIG. 5 is a left side view of the take-up hub shown in FIG. 1; FIG. 6 is top view of the take-up hub shown in FIG. 1; and, FIG. 7 is a bottom view of the take-up hub shown in FIG. 1.

**1 Claim, 3 Drawing Sheets**



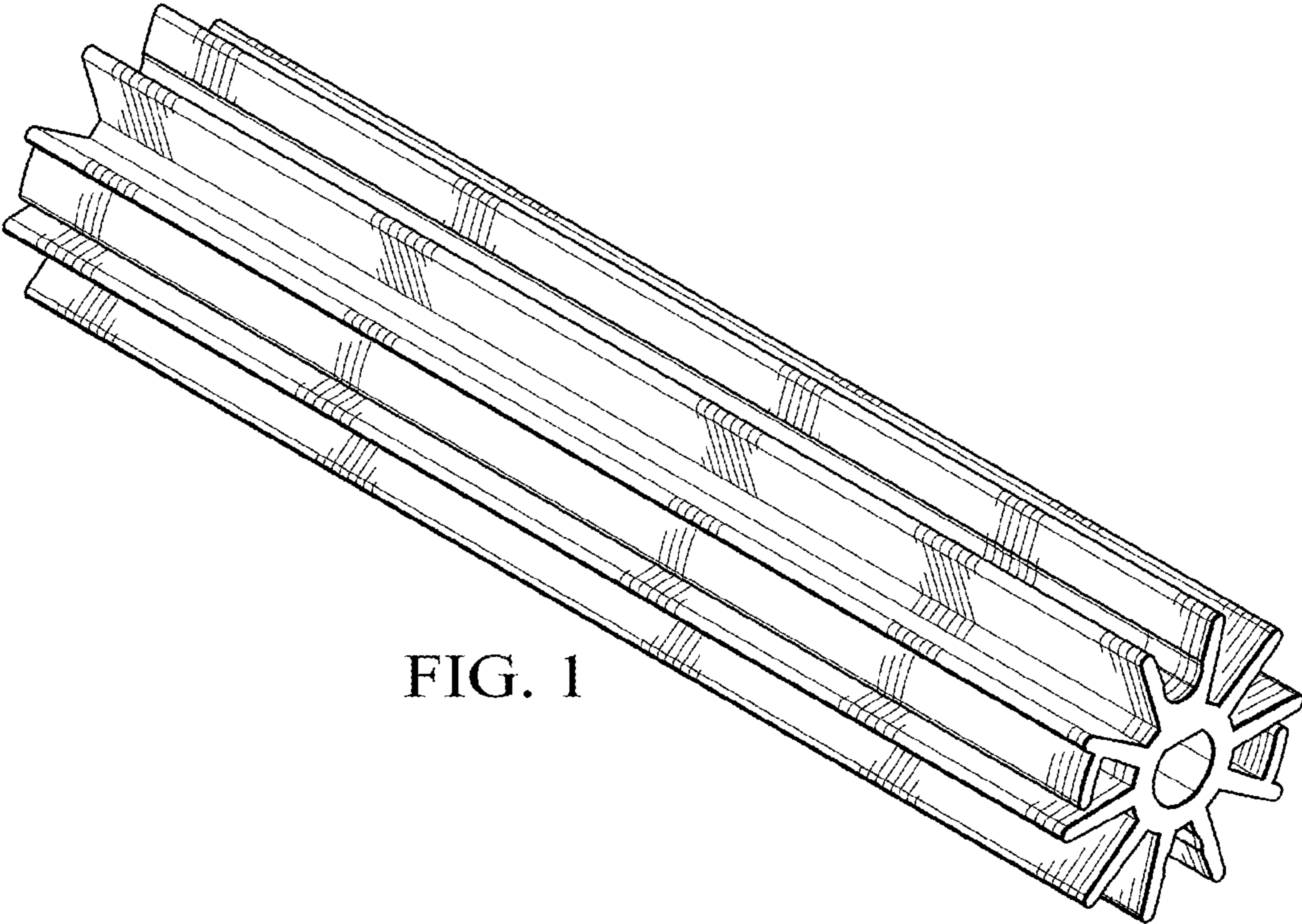


FIG. 1

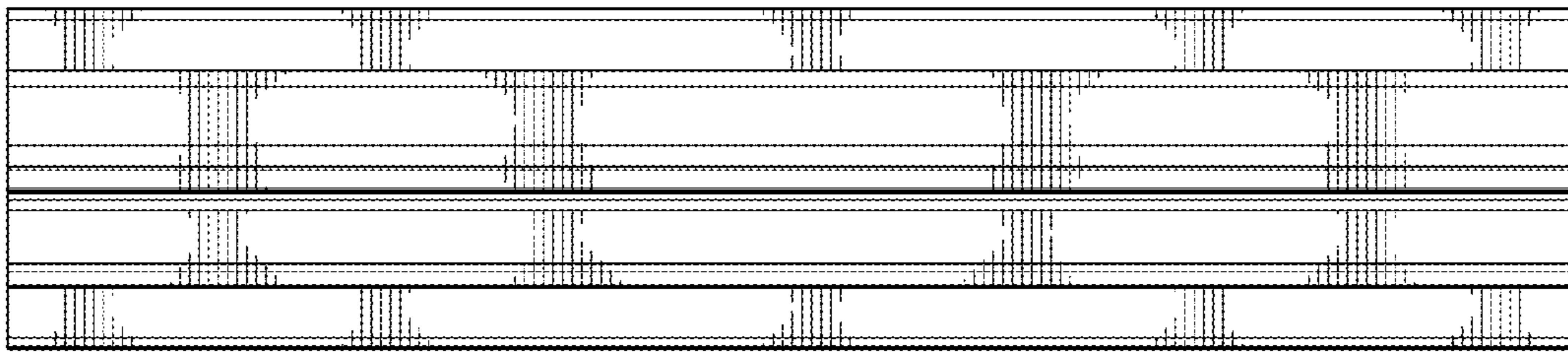


FIG. 2

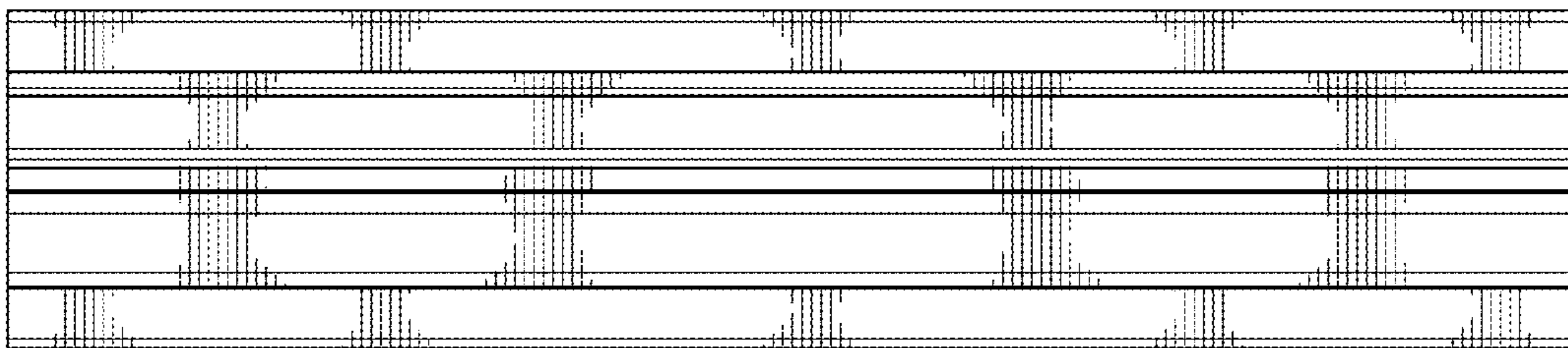


FIG. 3

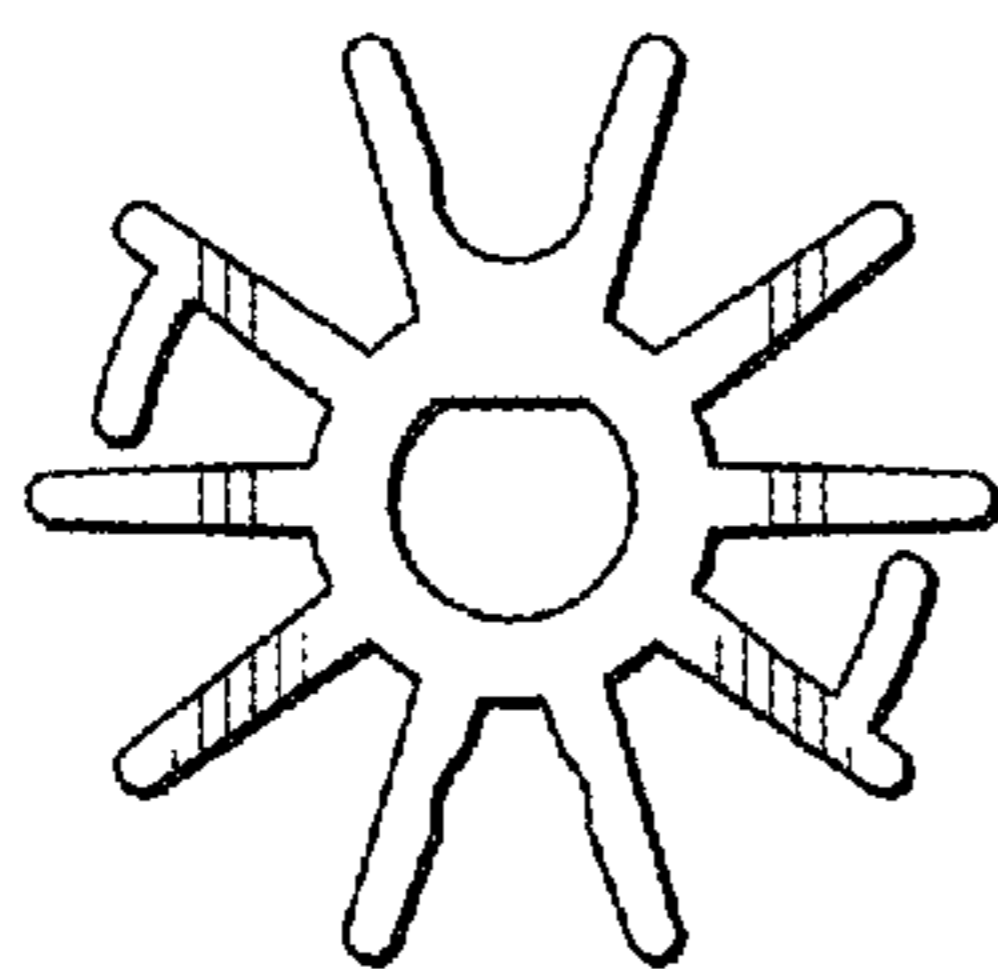


FIG. 4

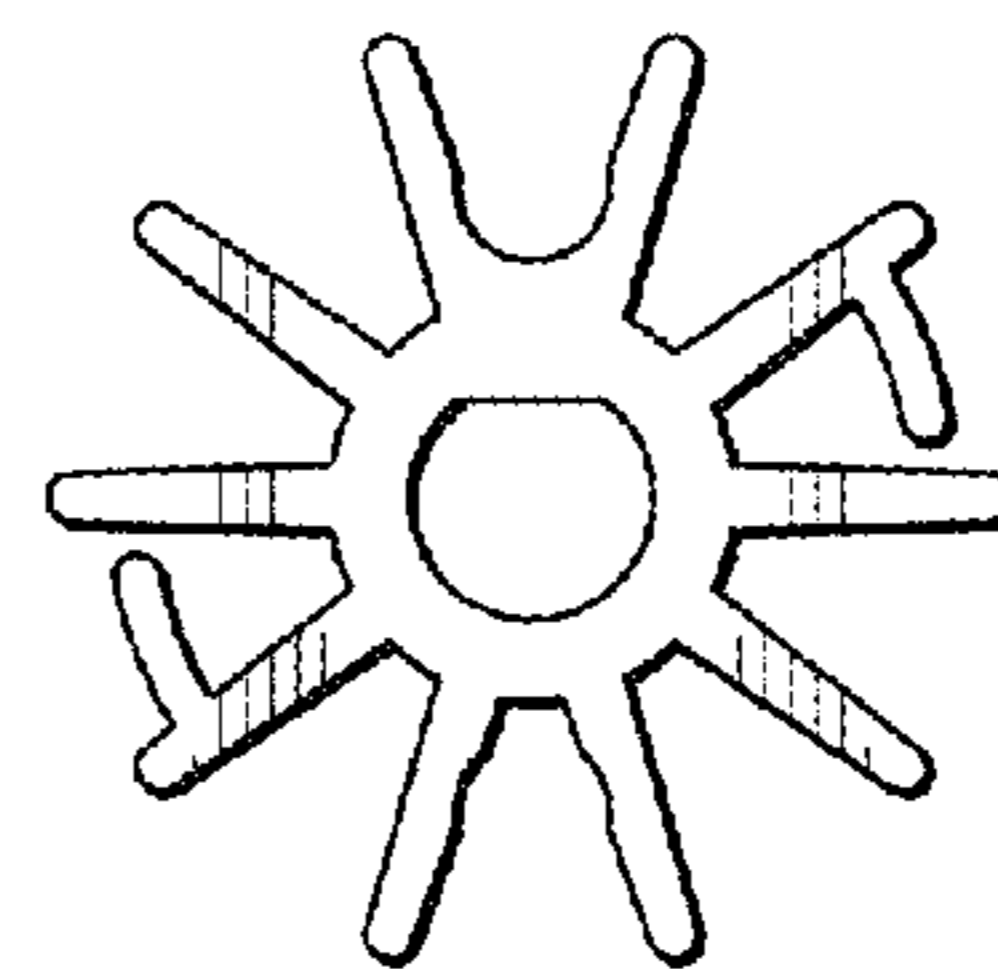


FIG. 5

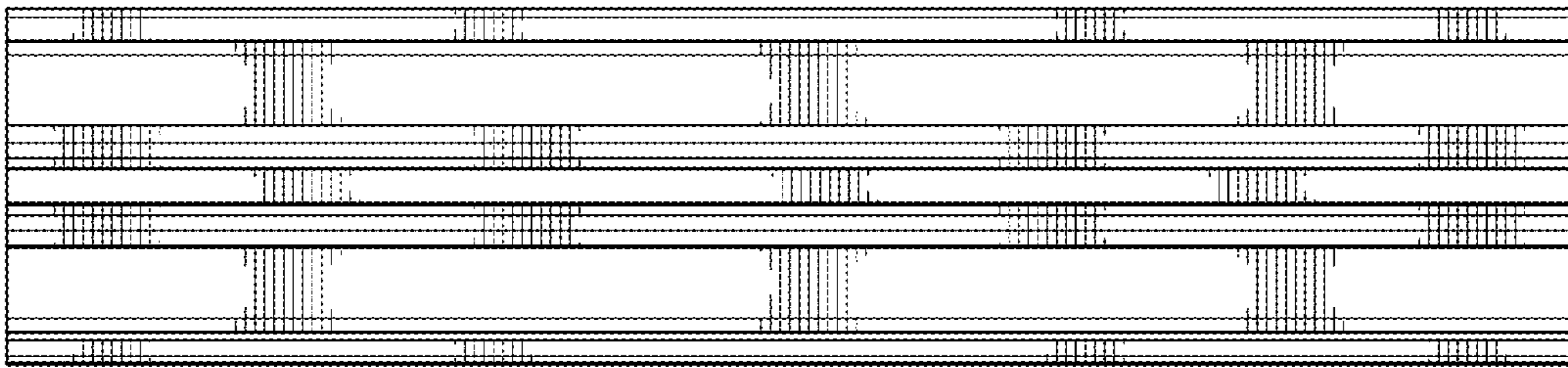


FIG. 6

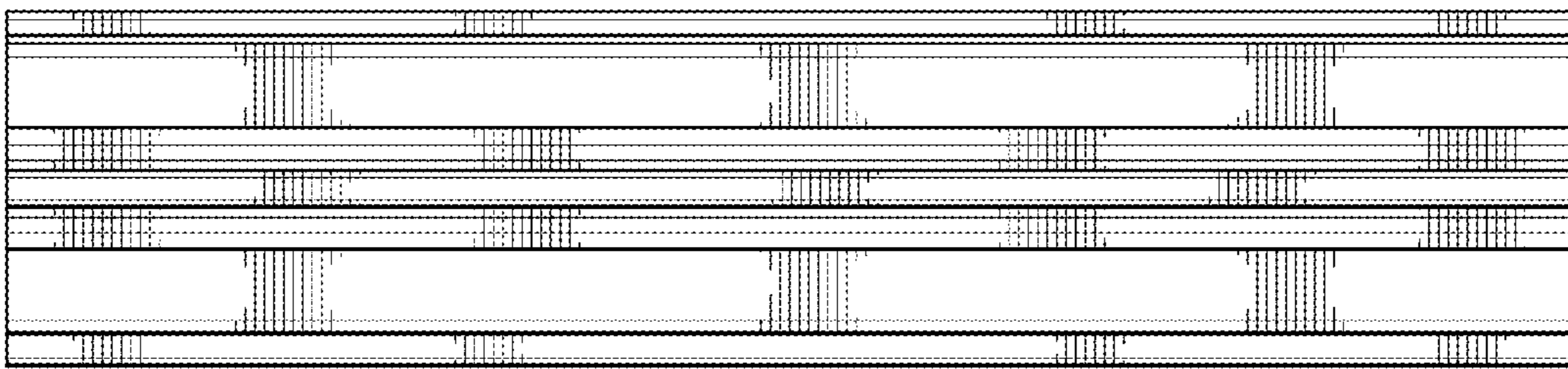


FIG. 7