



US00D687098S

(12) **United States Design Patent**
Shibata

(10) **Patent No.:** **US D687,098 S**

(45) **Date of Patent:** **** Jul. 30, 2013**

(54) **MARKING PEN**

(75) Inventor: **Tomoaki Shibata**, Tokyo (JP)

(73) Assignee: **Pentel Kabushiki Kaisha** (JP)

(**) Term: **14 Years**

(21) Appl. No.: **29/395,049**

(22) Filed: **Nov. 16, 2011**

(30) **Foreign Application Priority Data**

May 17, 2011 (JP) 2011-011021

(51) **LOC (9) Cl.** **19-06**

(52) **U.S. Cl.**
USPC **D19/51**

(58) **Field of Classification Search**

USPC .. D14/411; D19/35, 36, 41-51, 54-58; 24/11
F, 11 P, 11 R; 401/52, 99-109, 192, 195,
401/196

See application file for complete search history.

(56) **References Cited**

U.S. PATENT DOCUMENTS

D374,893 S * 10/1996 Yazawa D19/51
D453,790 S * 2/2002 Tsuchikura D19/36
D522,580 S * 6/2006 Shibata D19/51
D569,909 S * 5/2008 Shibata D19/51

D574,429 S * 8/2008 Kusaba et al. D19/48
D582,979 S * 12/2008 Leibeck D19/48
D596,233 S * 7/2009 Kusaba D19/49
D643,877 S * 8/2011 Soetewey D19/49
D648,790 S * 11/2011 Nakazawa D19/50
D660,357 S * 5/2012 Lira-Nunez et al. D19/48
2005/0084320 A1 * 4/2005 Carroll 401/108

FOREIGN PATENT DOCUMENTS

JP 1288704 12/2006

* cited by examiner

Primary Examiner — Elizabeth A Albert

(74) *Attorney, Agent, or Firm* — Adams & Wilks

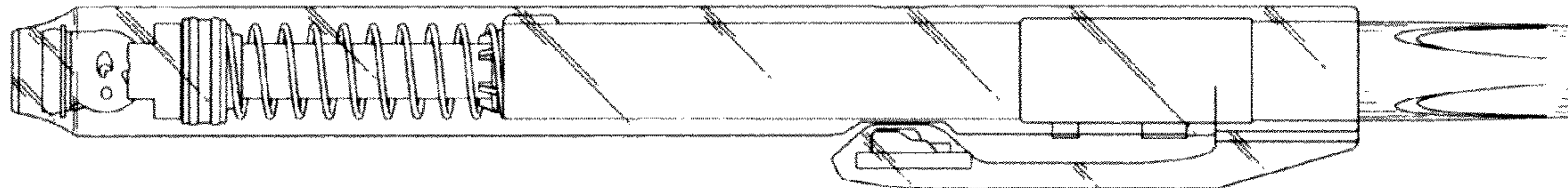
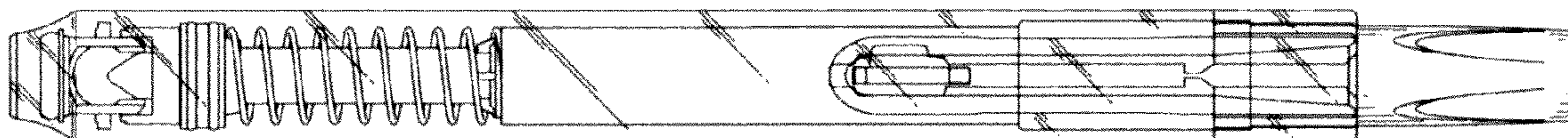
(57) **CLAIM**

The ornamental design for a marking pen, as shown and described.

DESCRIPTION

FIG. 1 is a perspective view of the front, top and left side of a marking pen showing my new design; FIG. 2 is a front view thereof; FIG. 3 is a rear view thereof; FIG. 4 is a top view thereof; FIG. 5 is a bottom view thereof; FIG. 6 is a left side view thereof; FIG. 7 is a right side view thereof; FIG. 8 is a front view thereof showing the marking pen with the nib projected; and, FIG. 9 is a bottom view thereof showing the marking pen with the nib projected.

1 Claim, 3 Drawing Sheets



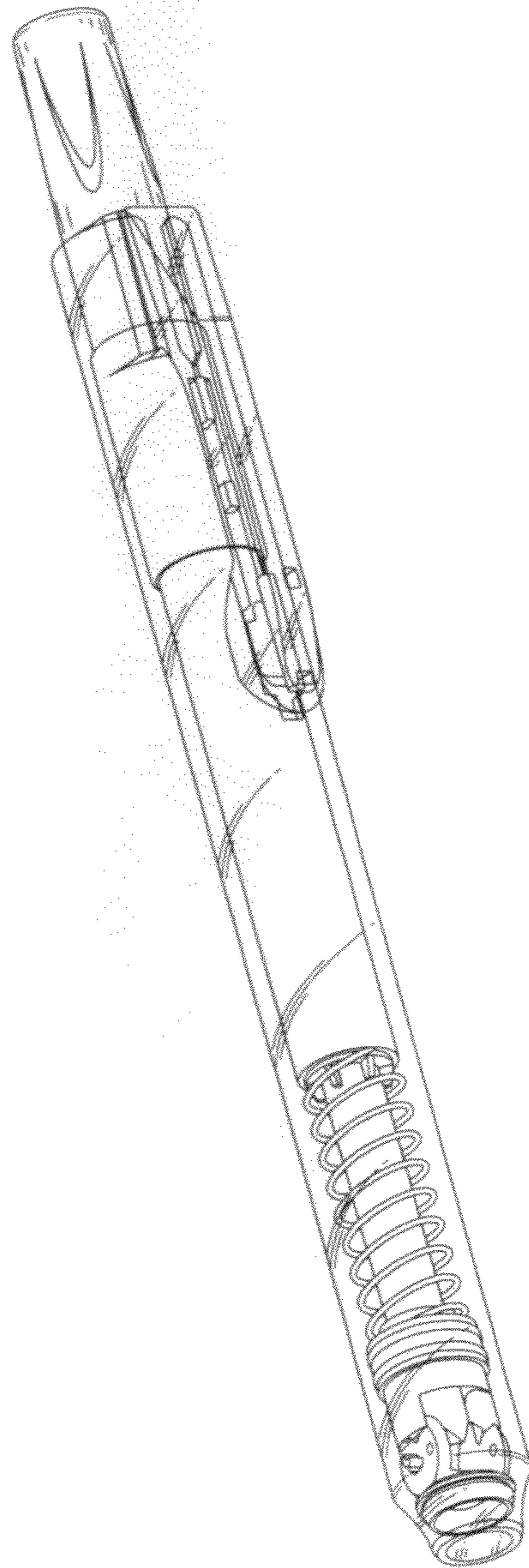


FIG. 1

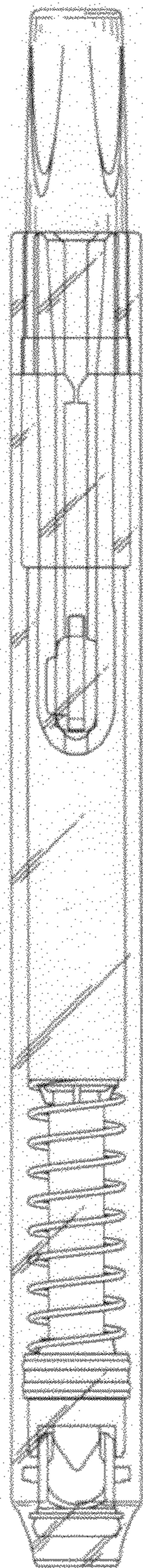


FIG. 2

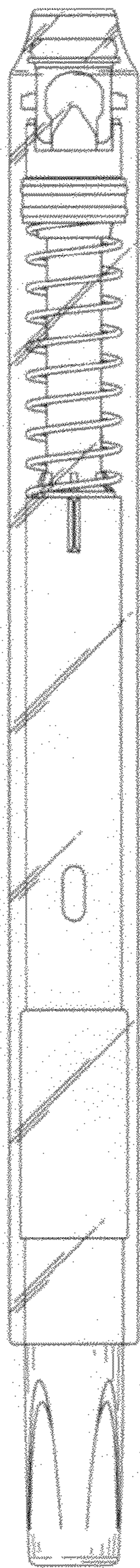


FIG. 3

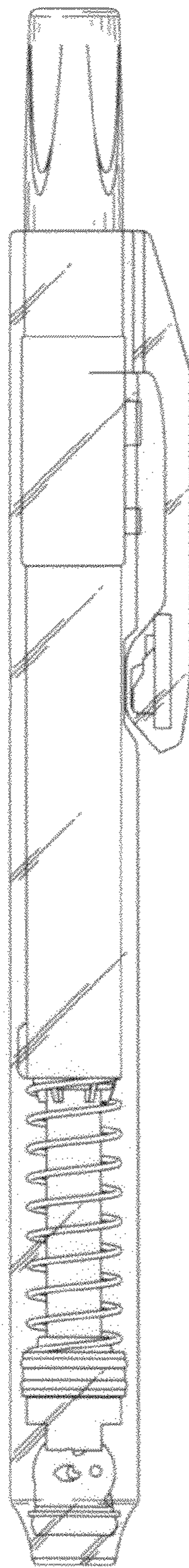


FIG. 4

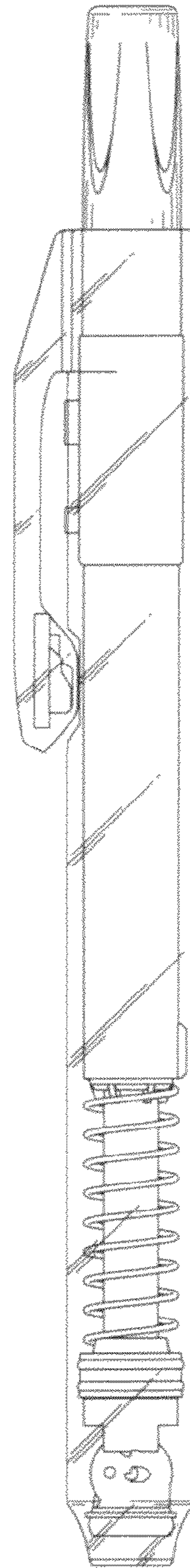


FIG. 5

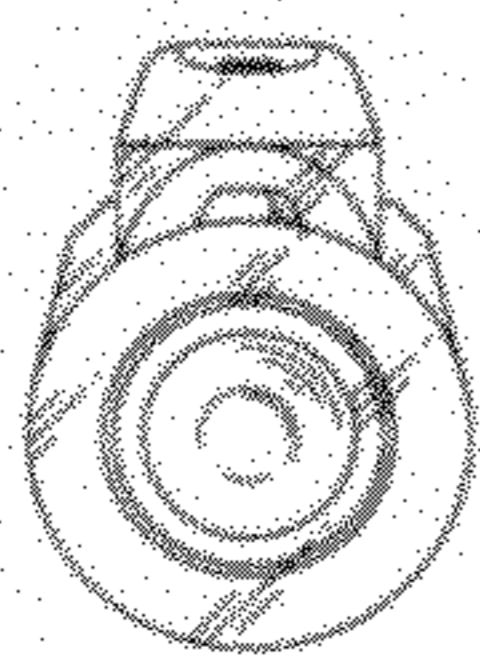


FIG. 6

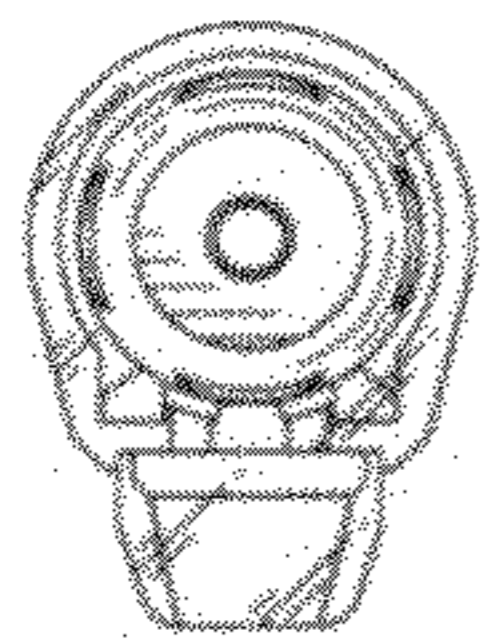


FIG. 7

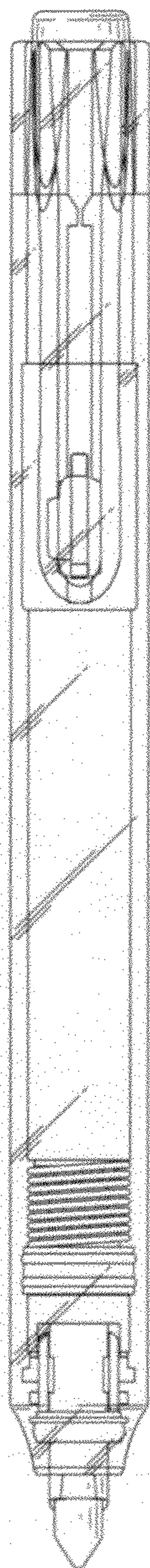


FIG. 8

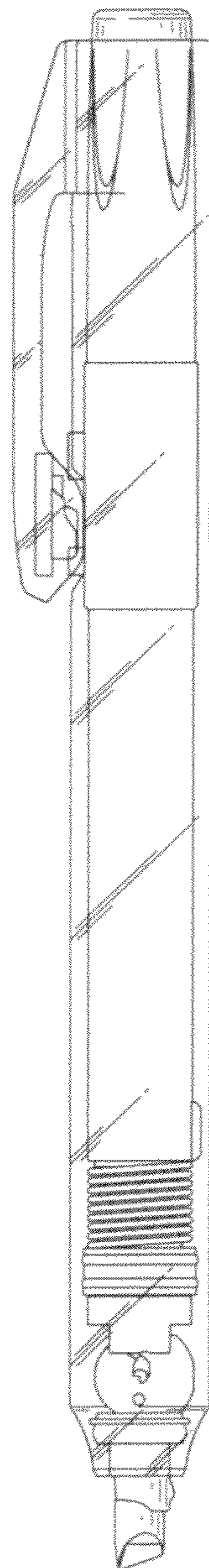


FIG. 9