



US00D687097S

(12) **United States Design Patent**
Bouniol

(10) **Patent No.:** **US D687,097 S**
(45) **Date of Patent:** **** Jul. 30, 2013**

- (54) **PEN**
- (75) Inventor: **Eric Bouniol**, Saint Cloud (FR)
- (73) Assignee: **Freewave SARL**, Saint Cloud (FR)
- (**) Term: **14 Years**
- (21) Appl. No.: **29/411,192**
- (22) Filed: **Jan. 18, 2012**
- (51) **LOC (9) Cl.** **19-06**
- (52) **U.S. Cl.**
USPC **D19/48**
- (58) **Field of Classification Search**
USPC .. D14/411; D19/35, 36, 41-51, 54-58; 24/11
F, 11 P, 11 R; 401/52, 99-109, 192, 195,
401/196; D28/7, 76, 88
See application file for complete search history.

(56) **References Cited**

U.S. PATENT DOCUMENTS

D191,185 S *	8/1961	Burnham	D19/51
D191,729 S *	11/1961	Lovejoy	D19/48
D238,068 S *	12/1975	Marynissen	D19/45
D253,660 S *	12/1979	Carre	D19/51
D259,642 S *	6/1981	Gomez	D19/51

D270,843 S *	10/1983	Itoh	D19/51
D279,115 S *	6/1985	Nishida	D19/51
D312,837 S *	12/1990	Oka	D19/51
D334,407 S *	3/1993	Petterson	D19/49
D341,623 S *	11/1993	Chuang	D19/36
6,200,046 B1 *	3/2001	Rylander	401/52
D552,176 S *	10/2007	Schnug	D19/51
D585,093 S *	1/2009	Schnug	D19/51
D595,350 S *	6/2009	Paz et al.	D19/43
2007/0223214 A1 *	9/2007	Yen	362/118

* cited by examiner

Primary Examiner — Elizabeth Albert

(74) *Attorney, Agent, or Firm* — Shimokaji & Assoc. P.C.

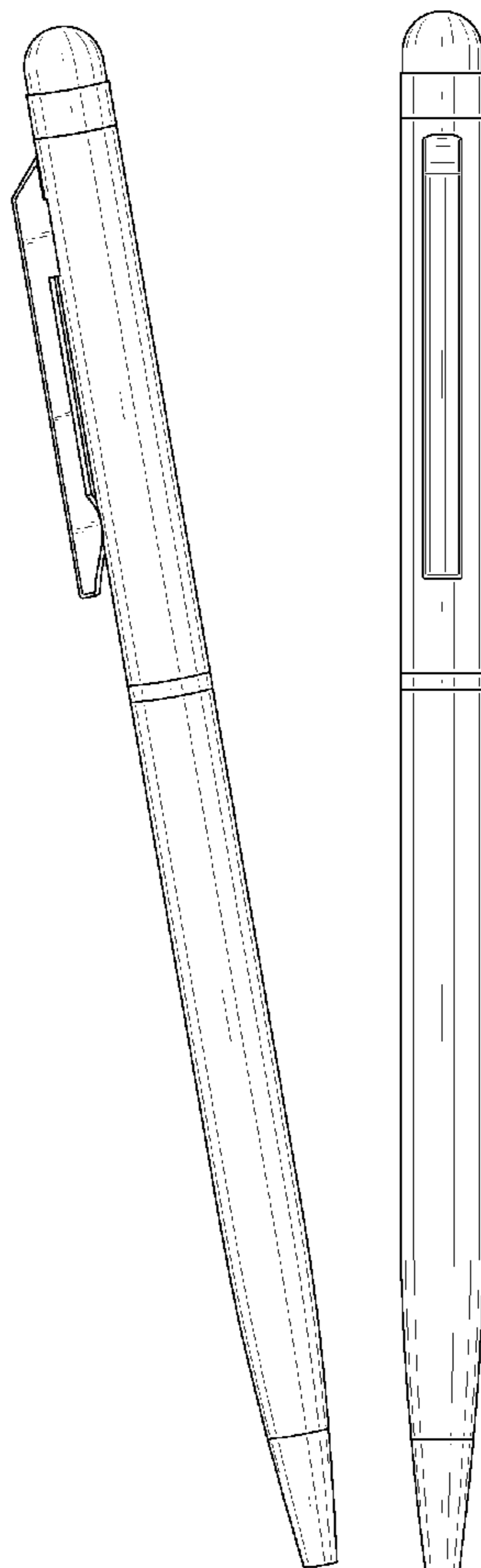
(57) **CLAIM**

The ornamental design for a pen, as shown and described.

DESCRIPTION

FIG. 1 is a side perspective view of a design for a pen according to the present invention;
 FIG. 2 is a front view thereof;
 FIG. 3 is a rear view thereof;
 FIG. 4 is a right side view thereof;
 FIG. 5 is a left side view thereof;
 FIG. 6 is a top view thereof;
 FIG. 7 is a bottom view thereof; and,
 FIG. 8 is an exploded view of the pen of FIG. 1.

1 Claim, 5 Drawing Sheets



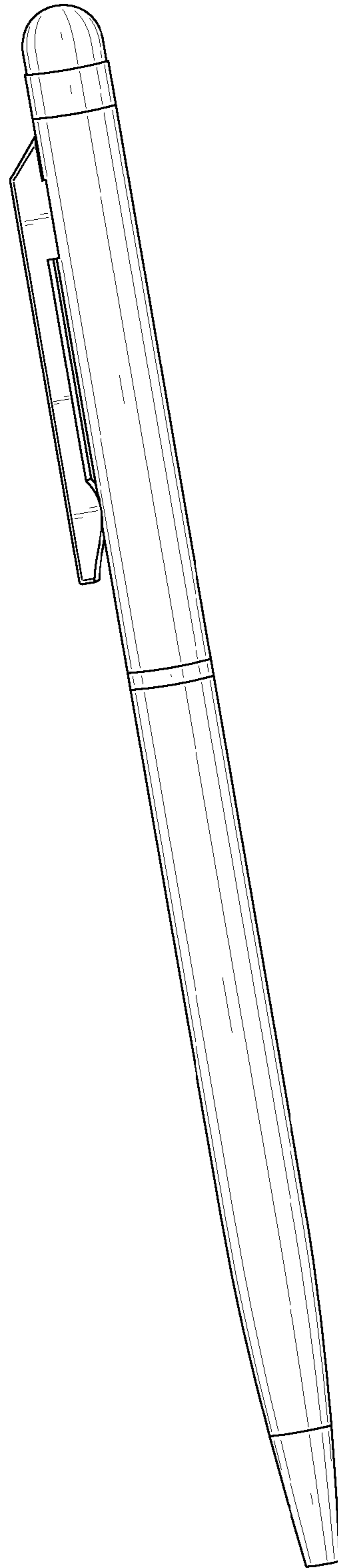


FIG. 1

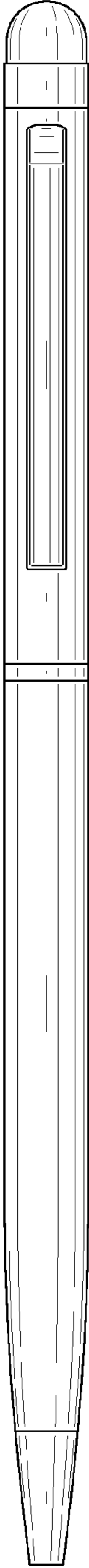


FIG. 2

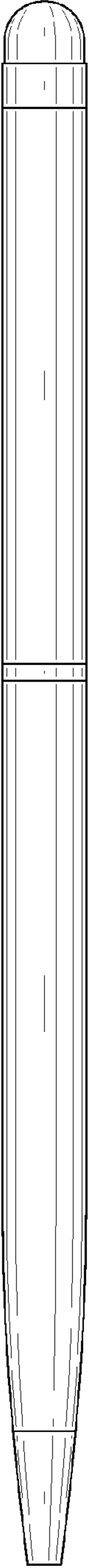


FIG. 3

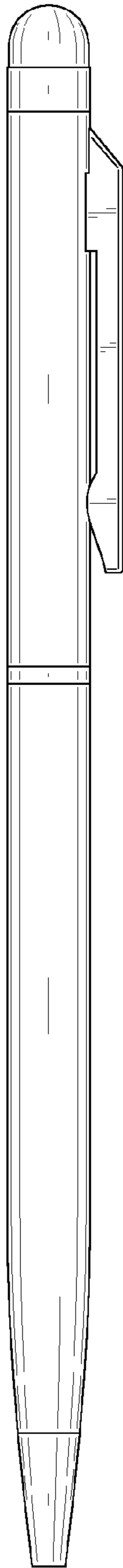


FIG. 4

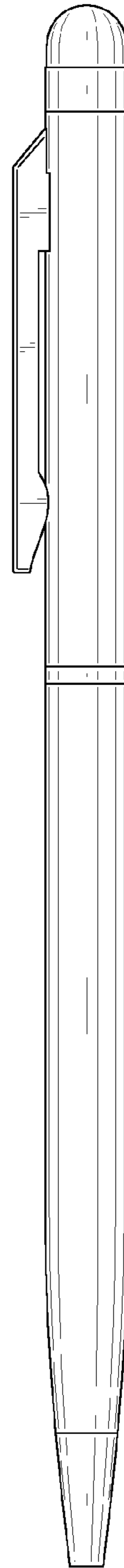


FIG. 5



FIG. 6

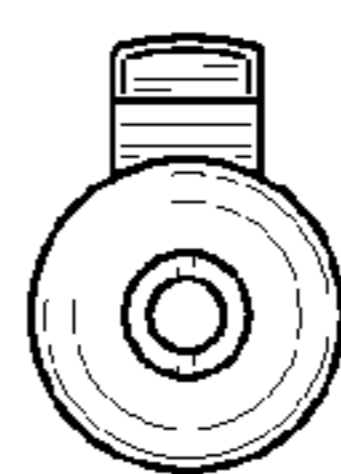


FIG. 7

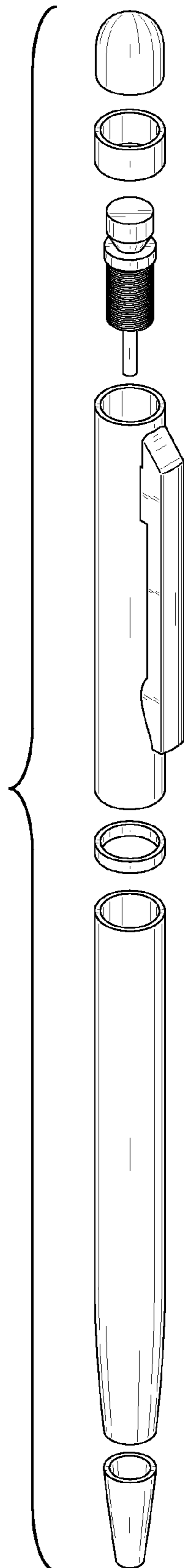


FIG. 8