



US00D687096S

(12) **United States Design Patent**
Taylor

(10) **Patent No.:** **US D687,096 S**

(45) **Date of Patent:** **** Jul. 30, 2013**

(54) **ART EASEL**

(71) Applicant: **Bryan Mark Taylor**, Lafayette, CA
(US)

(72) Inventor: **Bryan Mark Taylor**, Lafayette, CA
(US)

(**) Term: **14 Years**

(21) Appl. No.: **29/446,264**

(22) Filed: **Feb. 21, 2013**

(51) **LOC (9) Cl.** **19-06**

(52) **U.S. Cl.**
USPC **D19/35**

(58) **Field of Classification Search**
USPC D3/273, 294, 304, 314; D6/310,
D6/311, 312, 676.3, 678.3, 683.1, 700; D9/432;
D19/26-31, 75, 77, 78, 81-86, 90, 91; 206/215,
206/425, 449, 555; 211/10, 11, 46, 48, 87.01;
248/447, 454, 460, 461, 462, 463; D14/447
See application file for complete search history.

(56) **References Cited**

U.S. PATENT DOCUMENTS

3,168,363	A *	2/1965	Monsour	312/231
3,202,471	A *	8/1965	Wilson	312/231
D239,316	S *	3/1976	Smith	D9/432
4,093,326	A *	6/1978	Ford	312/231
4,372,630	A *	2/1983	Fuhri	312/231

4,662,518	A *	5/1987	Chiappetta et al.	206/449
D339,063	S *	9/1993	Simon	D9/433
6,012,696	A *	1/2000	Borie	248/461
D424,296	S *	5/2000	David	D3/273
6,745,988	B2 *	6/2004	Gelfand	248/460
7,188,818	B2 *	3/2007	Chang	248/460
D649,040	S *	11/2011	Sanders	D9/432
D653,854	S *	2/2012	Chamberlain	D3/294

* cited by examiner

Primary Examiner — Elizabeth Albert

(74) *Attorney, Agent, or Firm* — Joshua S. Rupp; Brian D. Tucker; Kirton McConkie

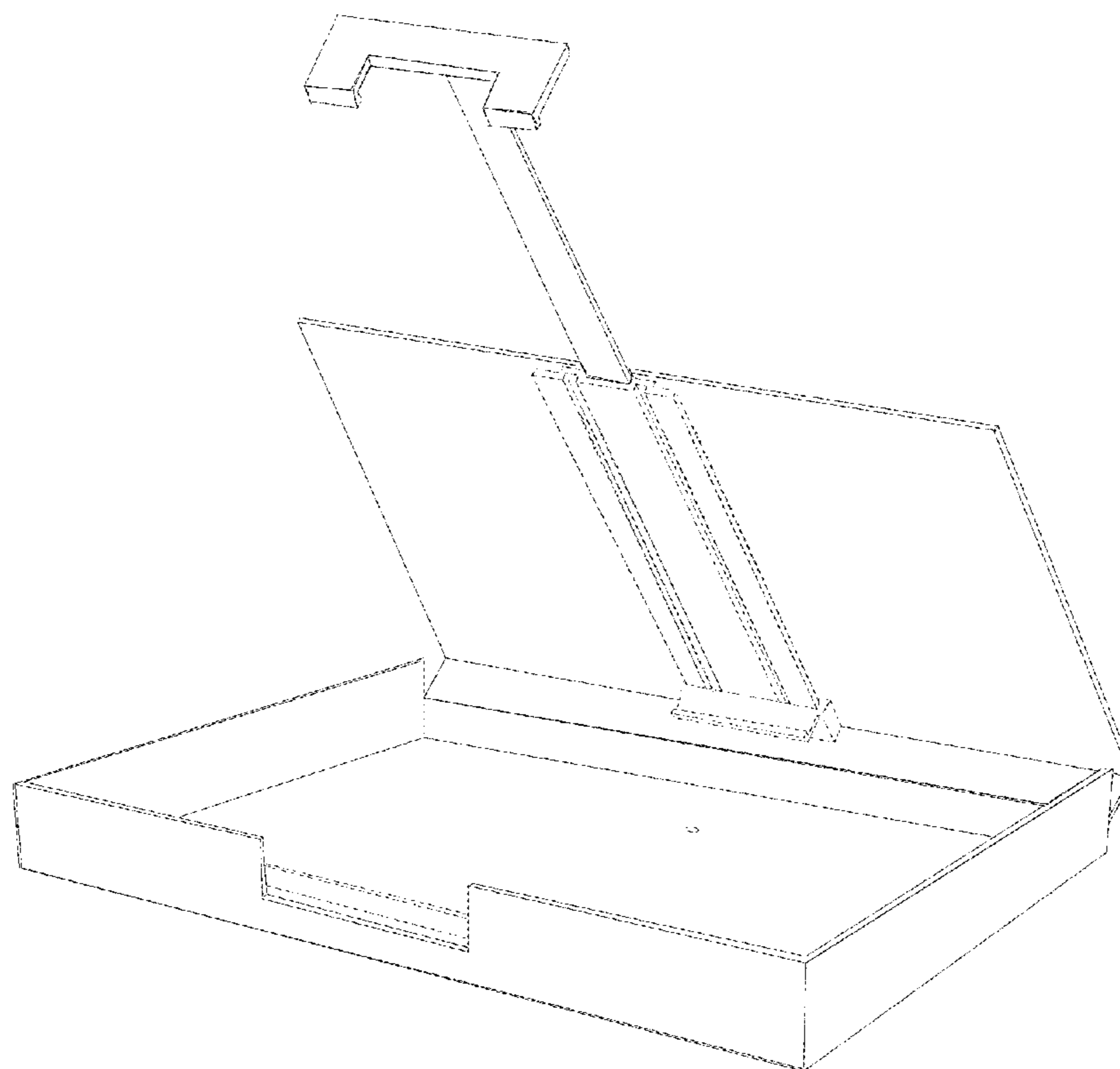
(57) **CLAIM**

The ornamental design for an art easel, as shown and described.

DESCRIPTION

FIG. 1 is a perspective view of the art easel showing my new design;
FIG. 2 is a front elevation view thereof;
FIG. 3 is a rear elevation view thereof;
FIG. 4 is a side elevation view thereof, the opposite side elevation view being identical to the side shown;
FIG. 5 is a top plan view thereof;
FIG. 6 is a bottom plan view thereof;
FIG. 7 is a perspective view thereof opened; and,
FIG. 8 is a perspective view thereof attached to a tripod.
The broken lines showing portions of the art easel in FIGS. 1-3 and 6-8 and a tripod in FIG. 8 are included to show features that form no part of the claimed design.

1 Claim, 4 Drawing Sheets



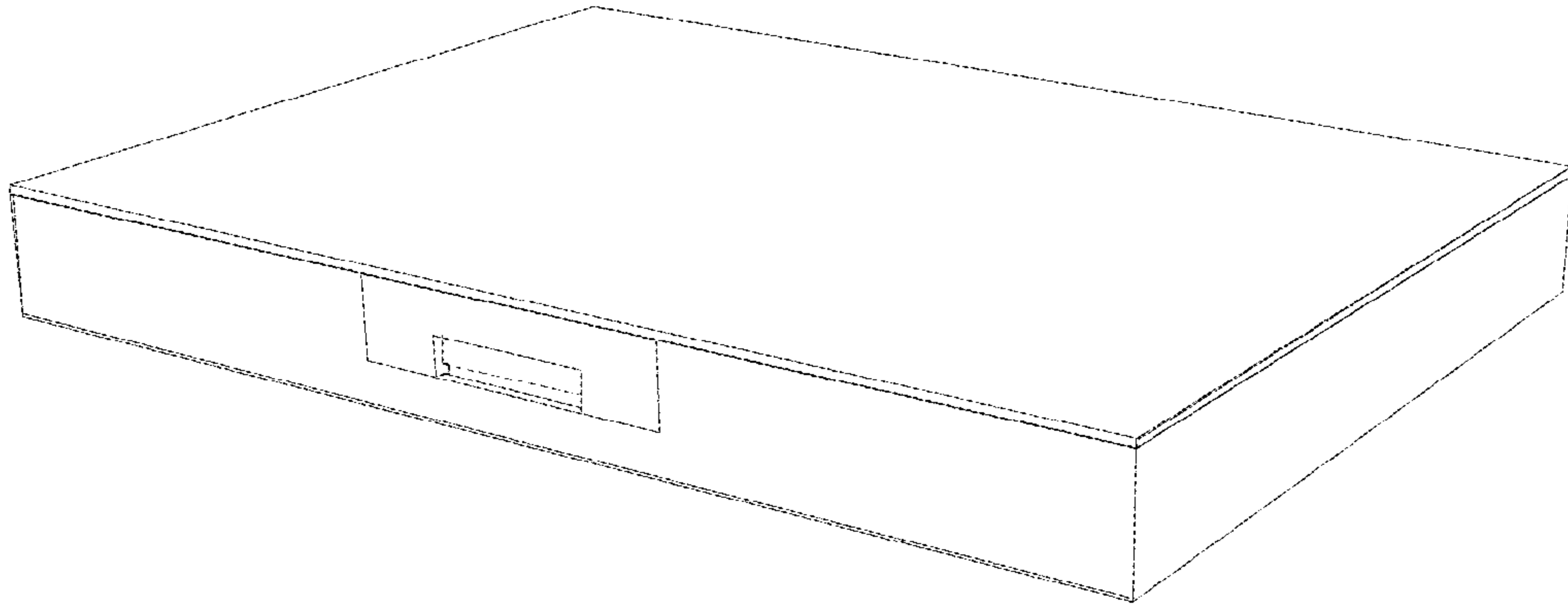


FIG. 1

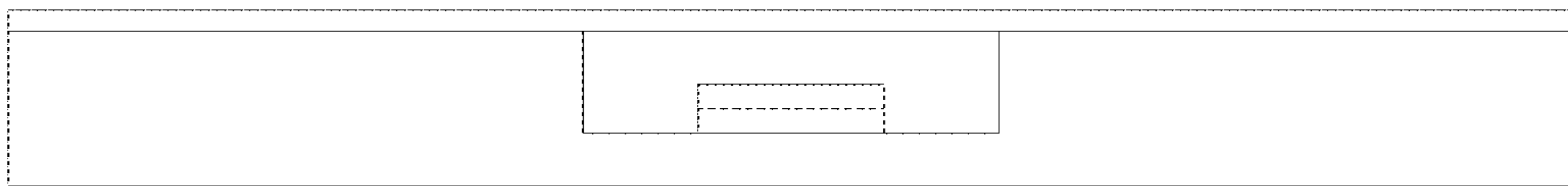


FIG. 2

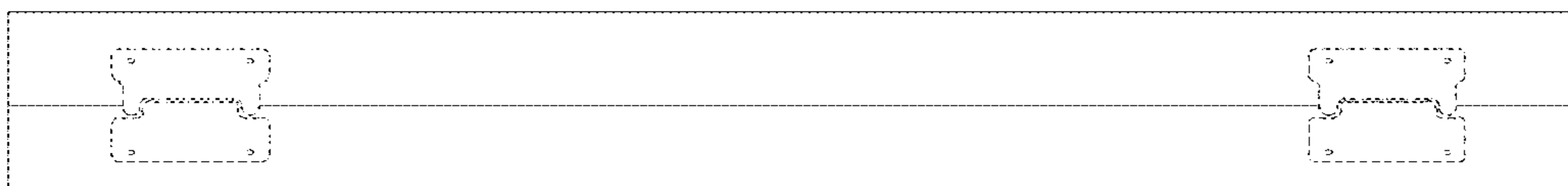


FIG. 3

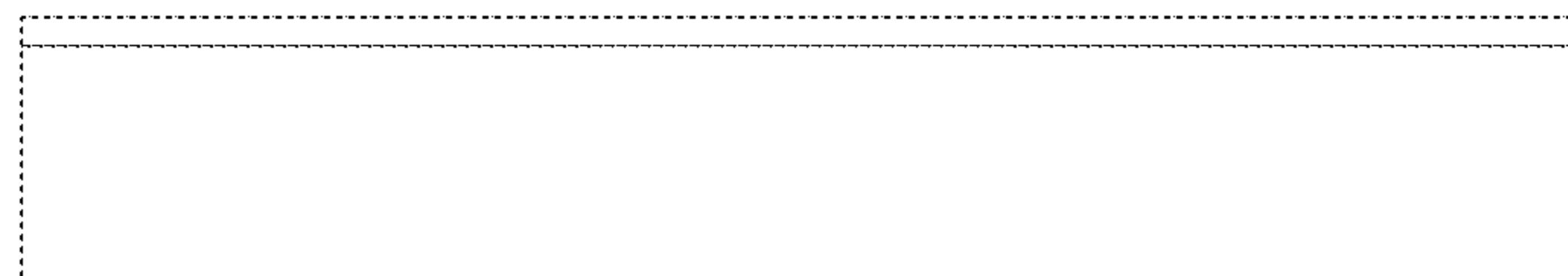


FIG. 4

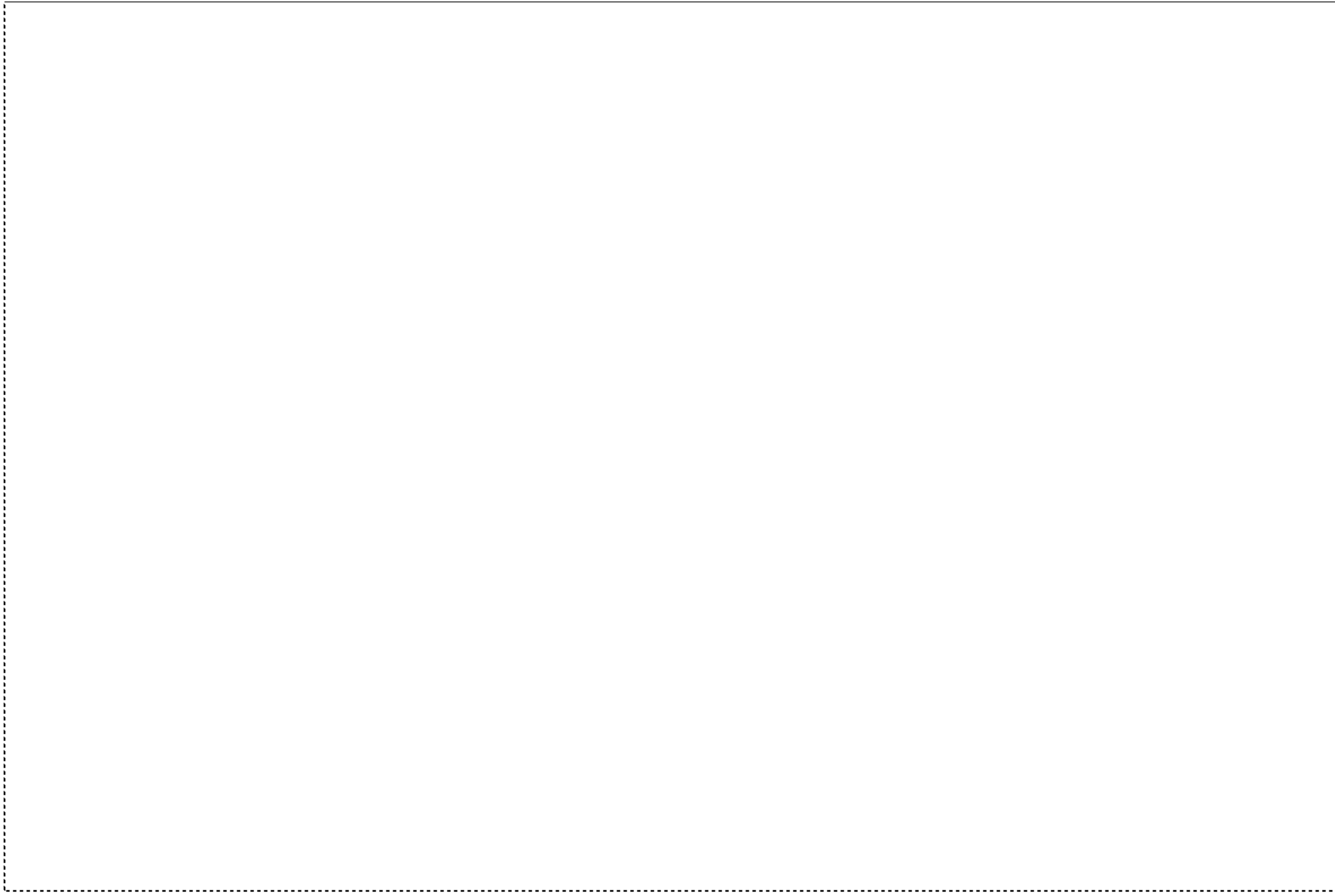


FIG. 5

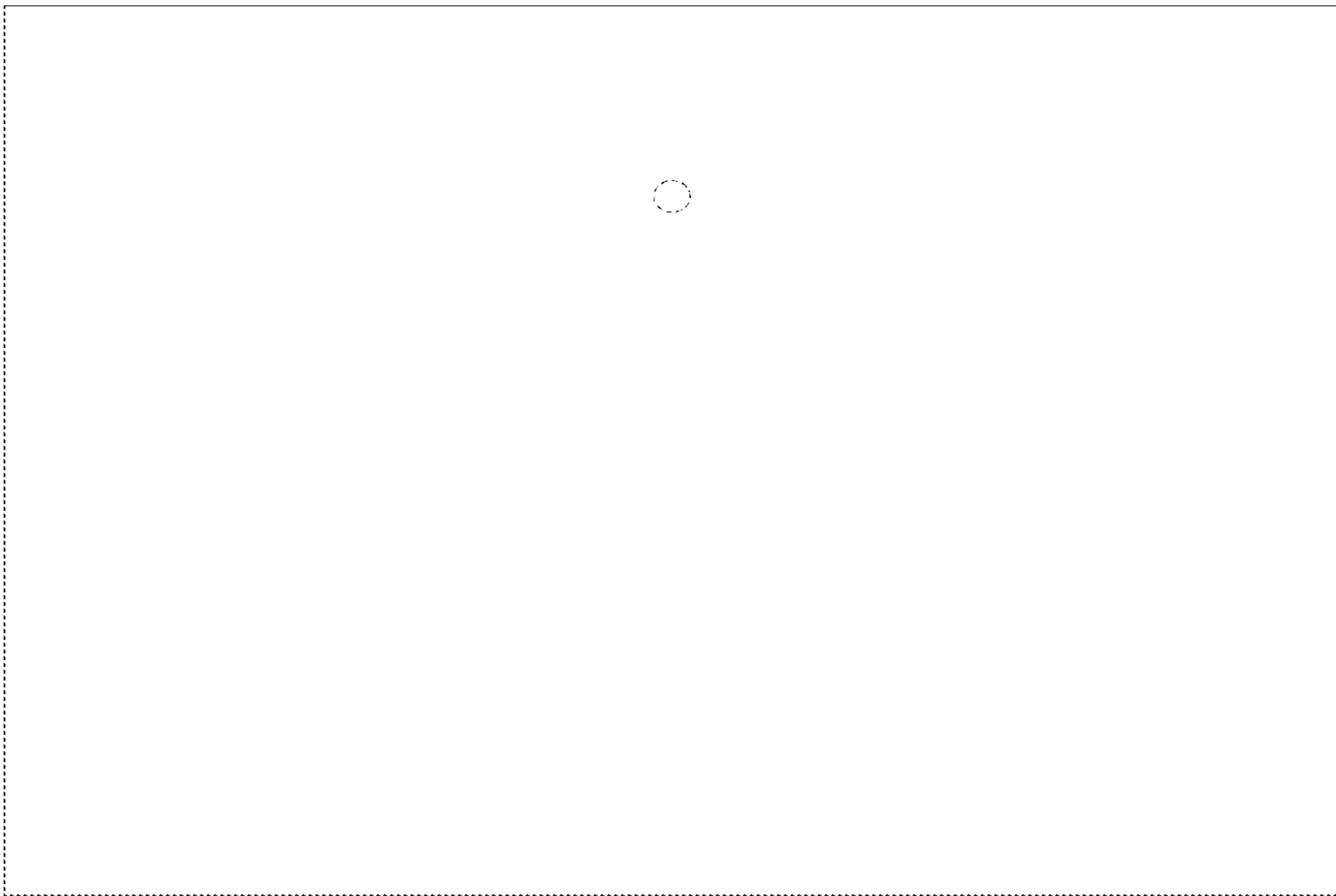


FIG. 6

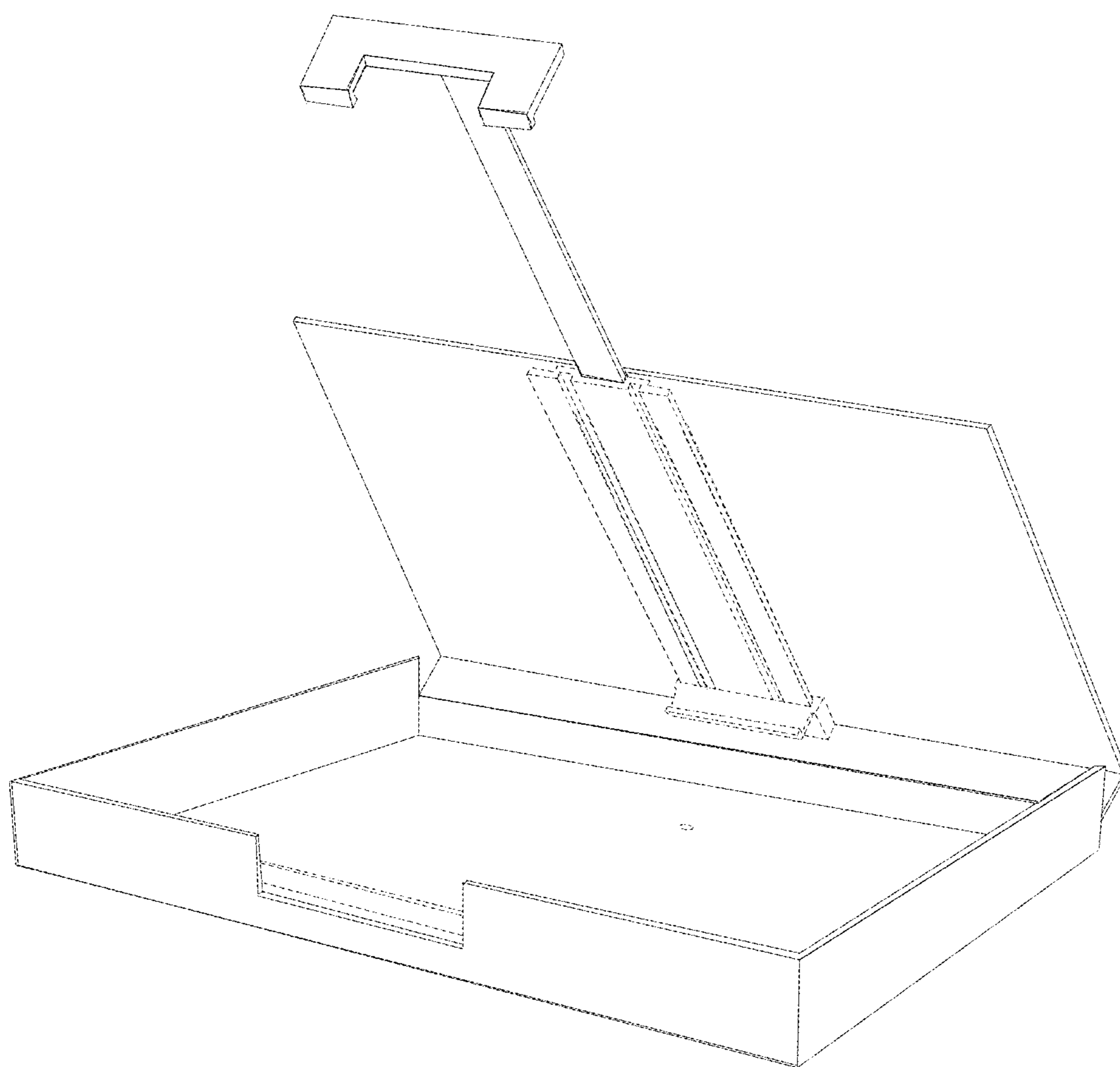


FIG. 7

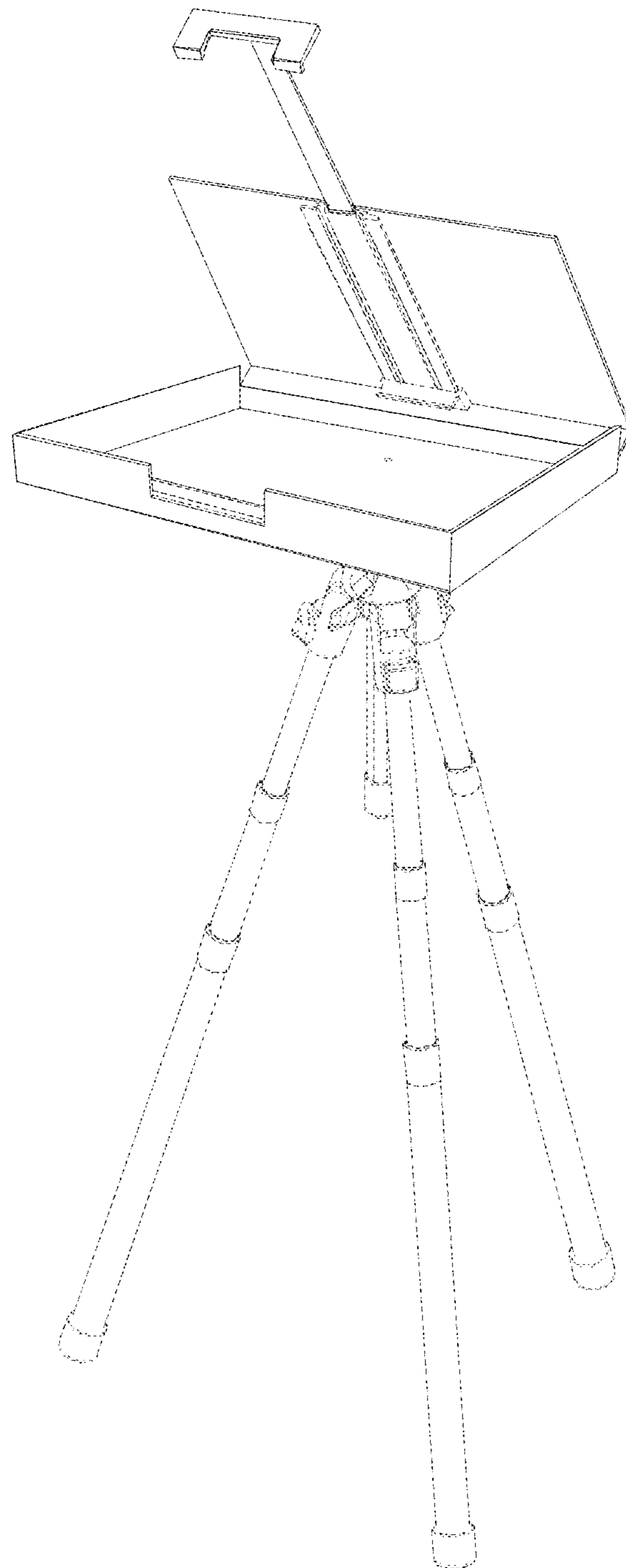


FIG. 8