



US00D687093S

(12) **United States Design Patent**
Klocke et al.

(10) **Patent No.:** **US D687,093 S**
(45) **Date of Patent:** **** *Jul. 30, 2013**

(54) **THERMAL TRANSFER PRINTER**

(56) **References Cited**

(75) Inventors: **Sandra Klocke**, Vlotho (DE); **Albrecht Schierholz**, Schieder-Schwalenberg (DE)

U.S. PATENT DOCUMENTS

3,377,913	A	*	4/1968	Grant, Jr.	355/28
D268,933	S	*	5/1983	Matsushima	D18/36
D277,288	S	*	1/1985	Schlagheck	D18/36
D279,684	S	*	7/1985	Overman et al.	D18/36
D347,021	S	*	5/1994	Adams et al.	D18/50
D607,926	S	*	1/2010	Miyauchi et al.	D18/55
D622,760	S	*	8/2010	Kimura et al.	D18/50

(73) Assignee: **Phoenix Contact GmbH & Co. KG** (DE)

(*) Notice: This patent is subject to a terminal disclaimer.

* cited by examiner

(**) Term: **14 Years**

Primary Examiner — Cathy A MacCormac

(21) Appl. No.: **29/400,030**

(74) *Attorney, Agent, or Firm* — Schmeiser, Olsen & Watts, LLP

(22) Filed: **Aug. 23, 2011**

(57) **CLAIM**

The ornamental design for a thermal transfer printer, as shown and described.

(30) **Foreign Application Priority Data**

DESCRIPTION

Feb. 25, 2011 (EP) 001 826 975

(51) **LOC (9) Cl.** **14-02**

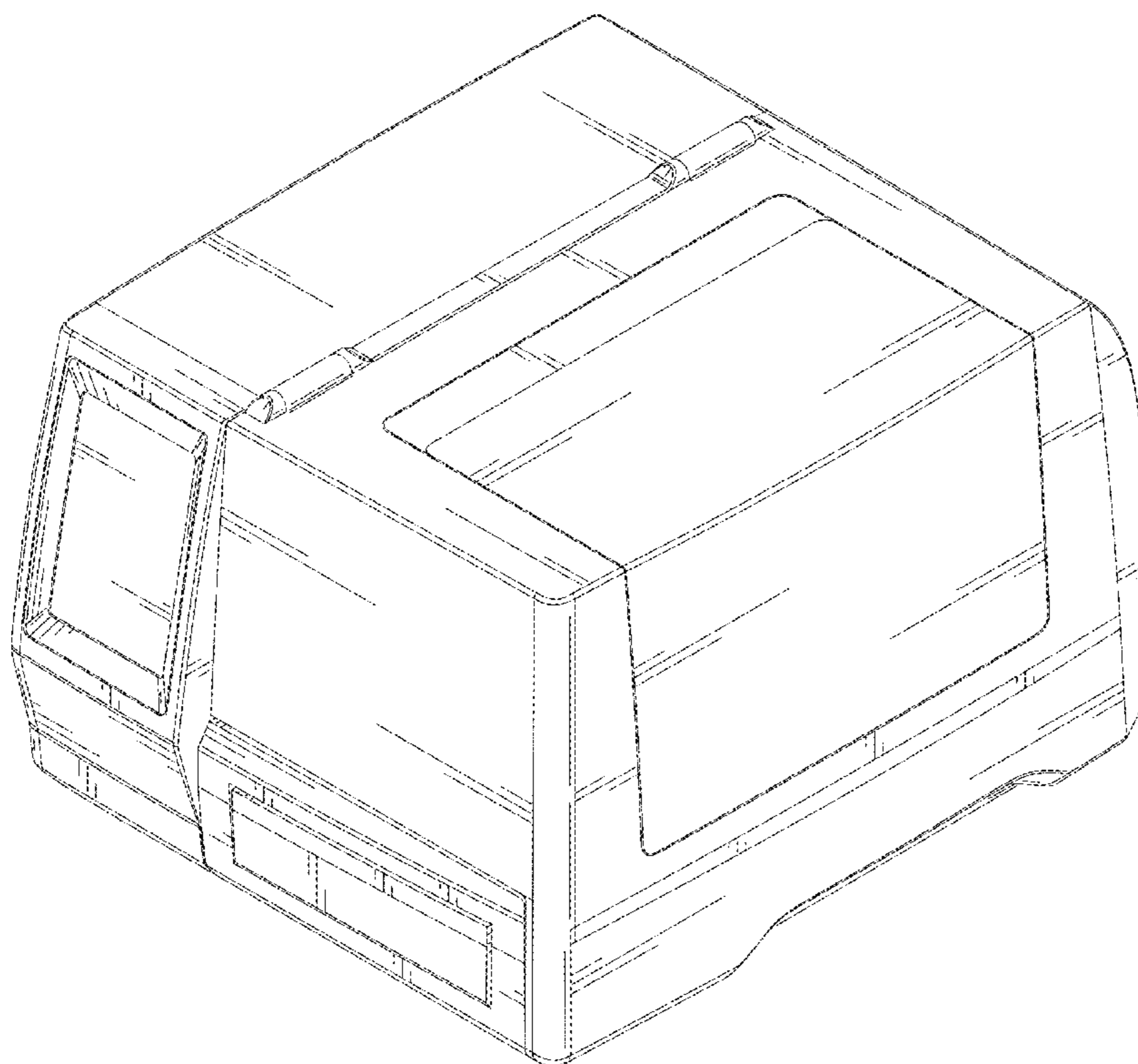
(52) **U.S. Cl.**
USPC **D18/50**

(58) **Field of Classification Search**
USPC D18/14, 19, 36-37, 50, 54, 54.1, D18/55; D14/452-425, 463-470; 400/613, 400/613.1-613.4, 690, 690.1-690.4, 691-694

FIG. 1 is a perspective view showing our design for a thermal transfer printer;
FIG. 2 is a front view thereof;
FIG. 3 is a back view thereof;
FIG. 4 is an enlarged top view thereof;
FIG. 5 is an enlarged bottom view thereof;
FIG. 6 is a right, side view thereof; and,
FIG. 7 is a left, side view thereof.

See application file for complete search history.

1 Claim, 7 Drawing Sheets



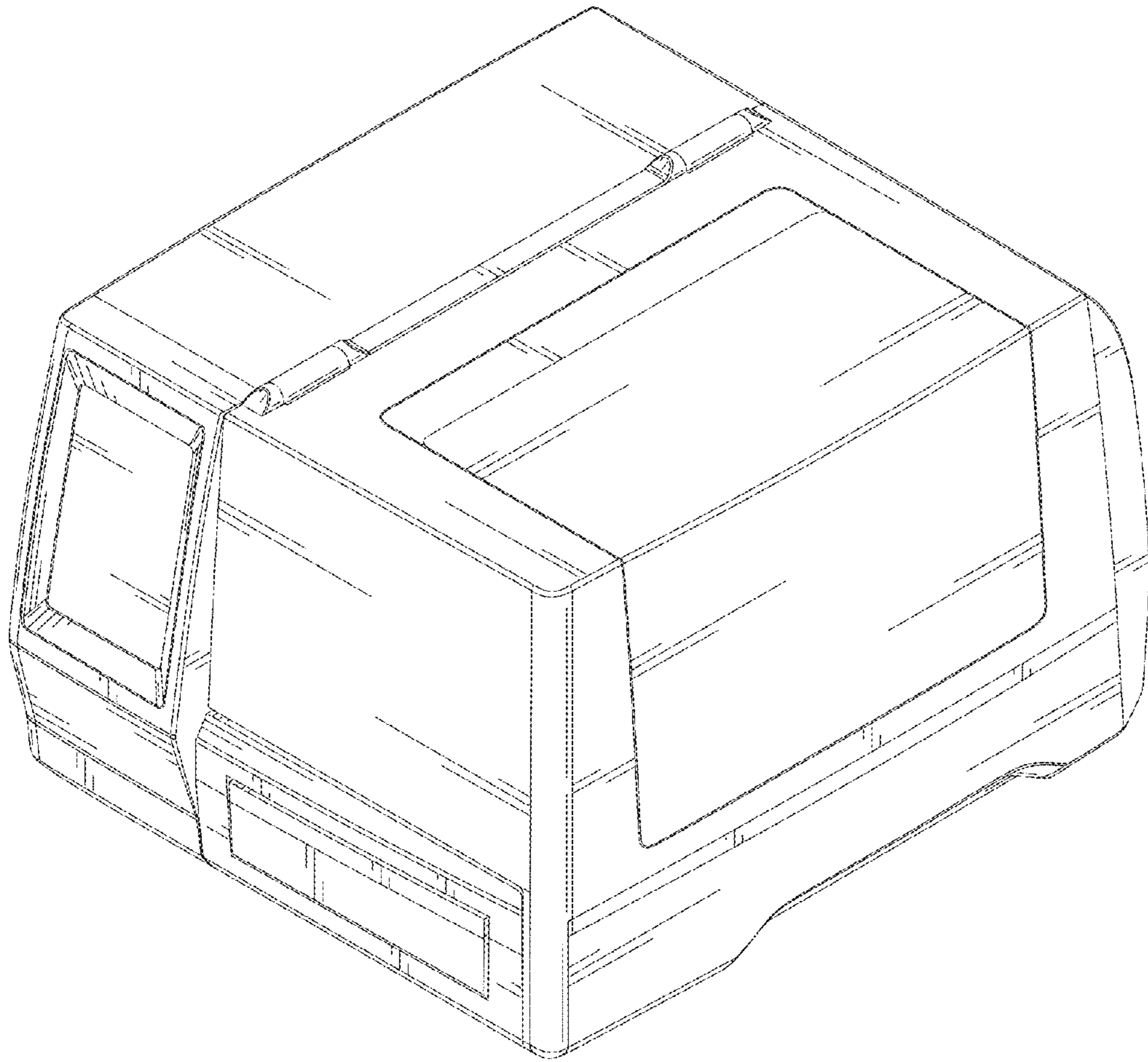


FIG. 1

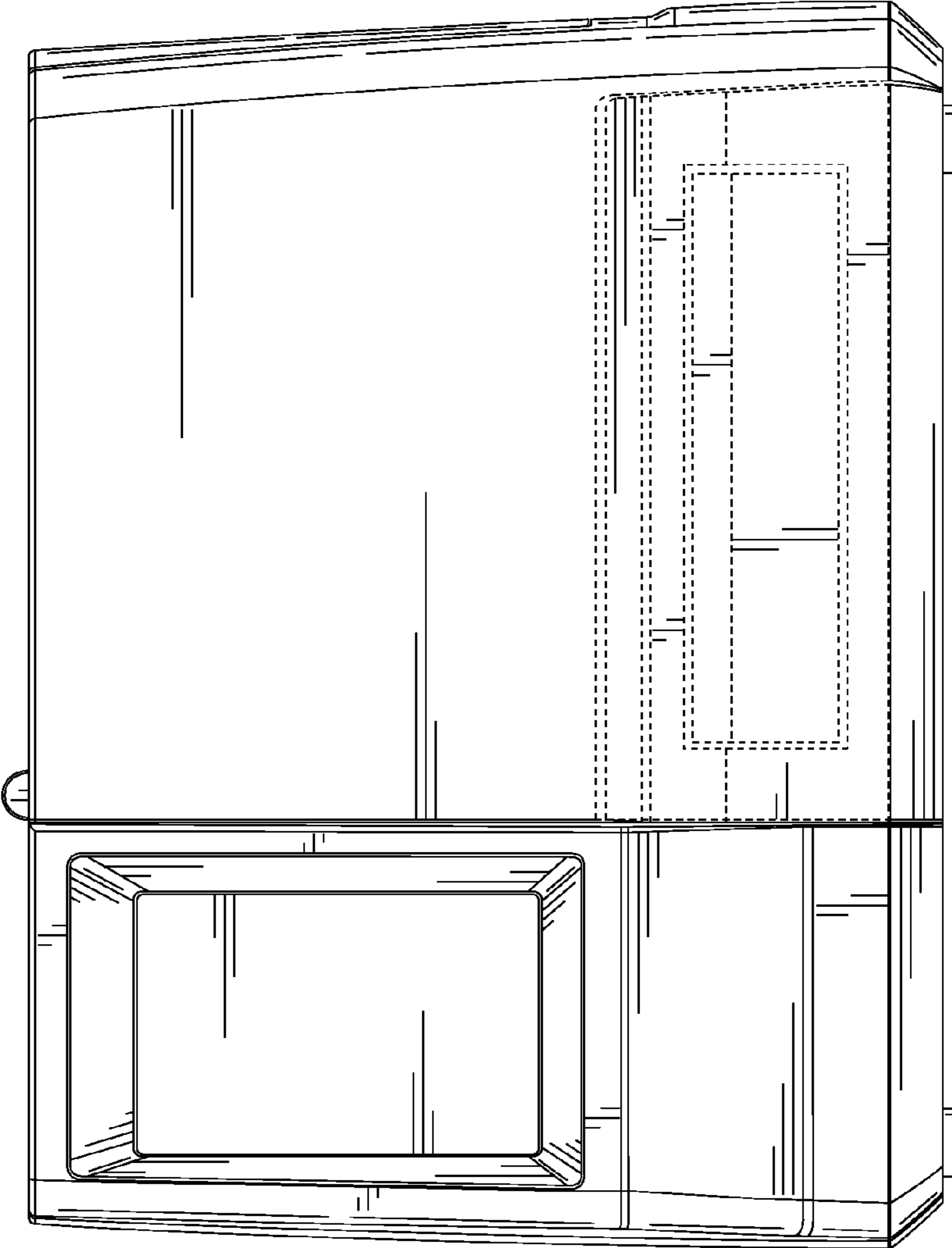


FIG. 2

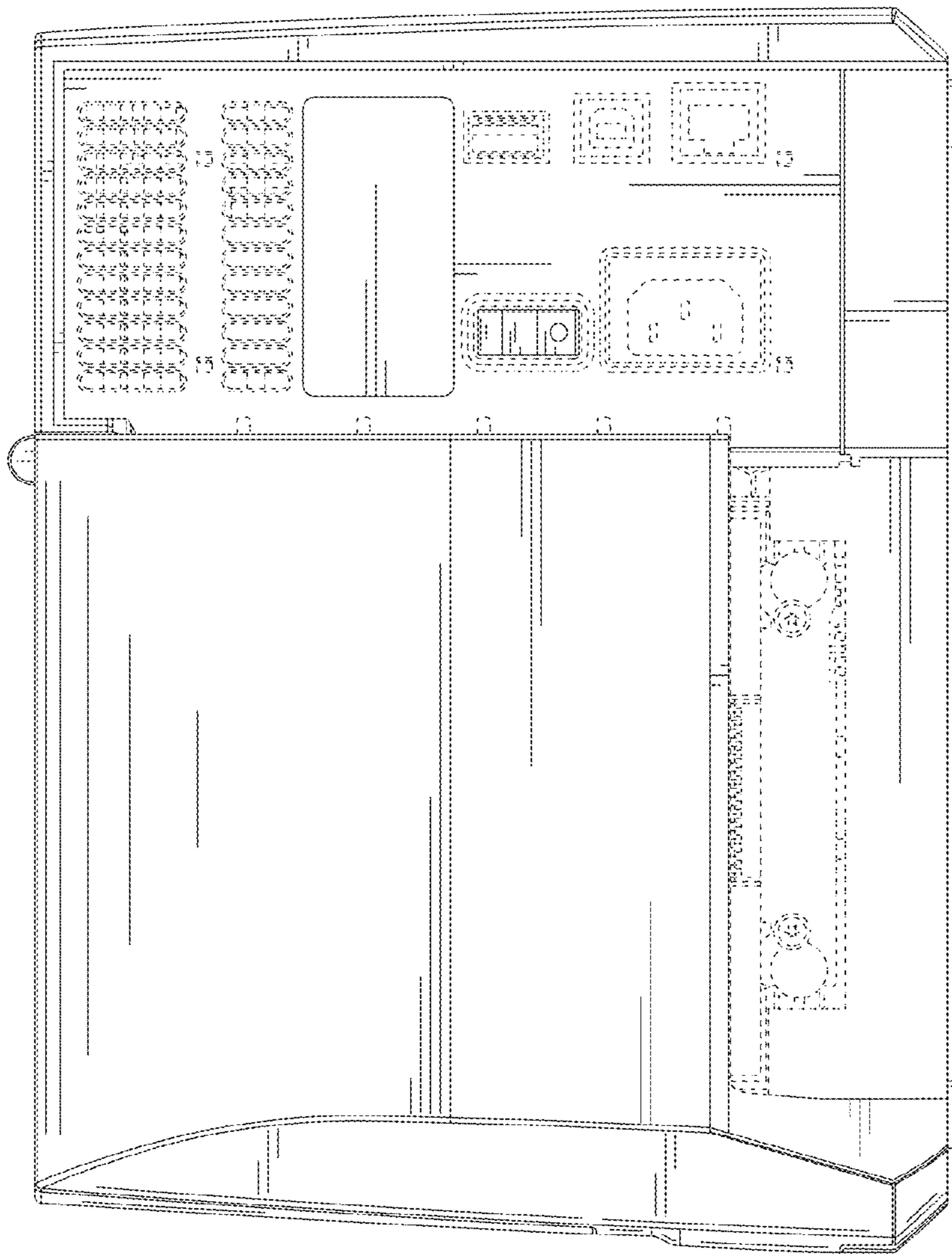


FIG. 3

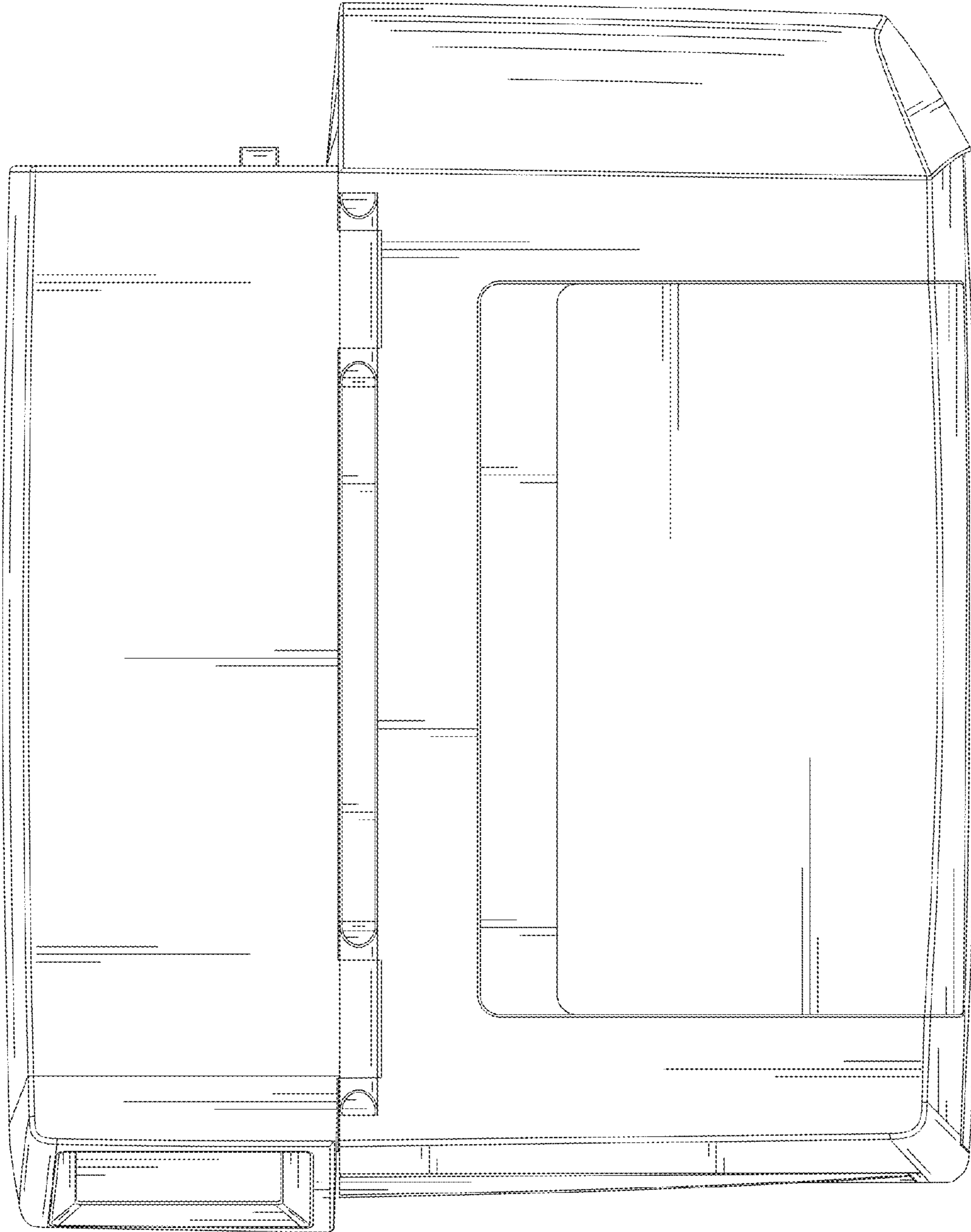


FIG. 4

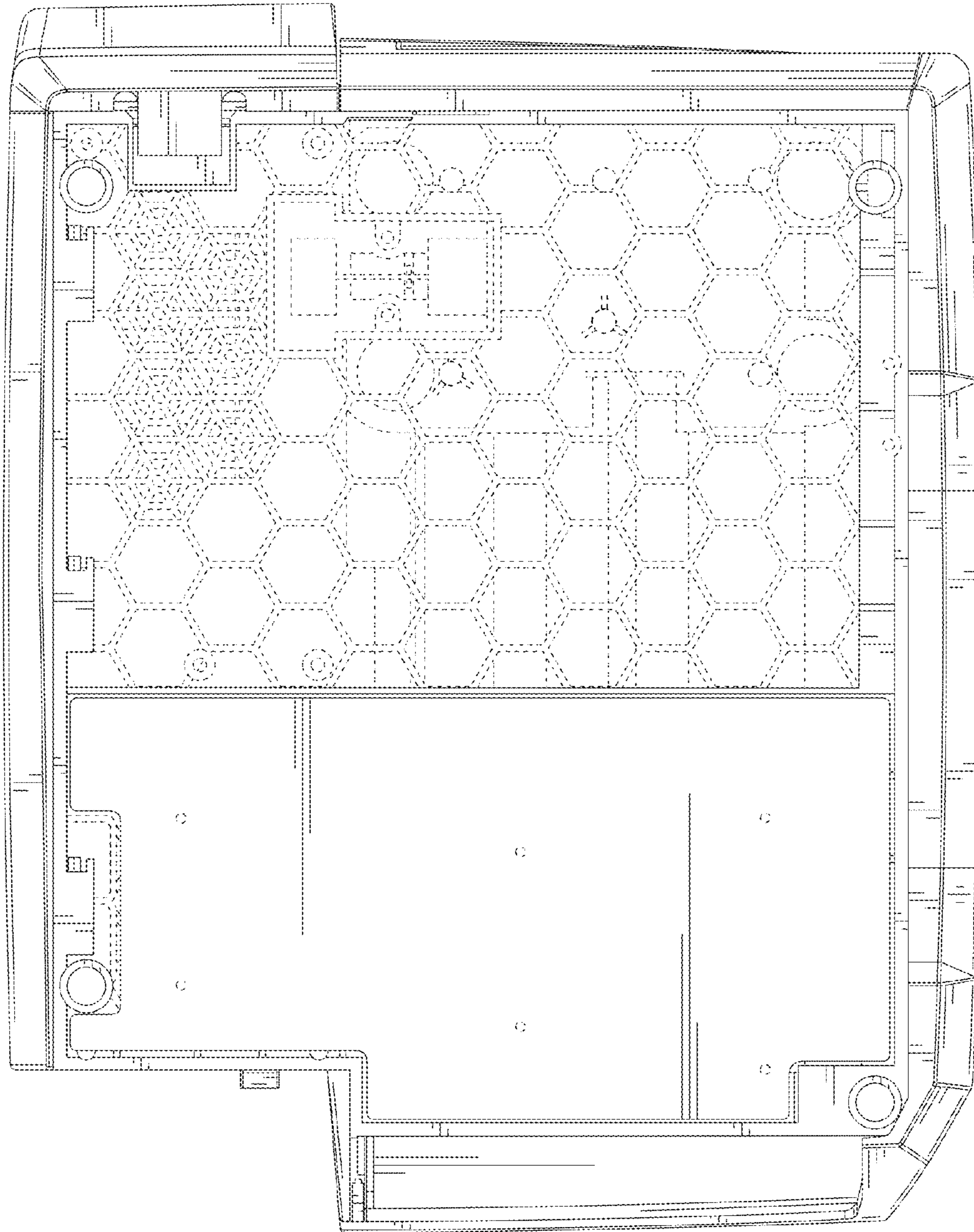


FIG. 5

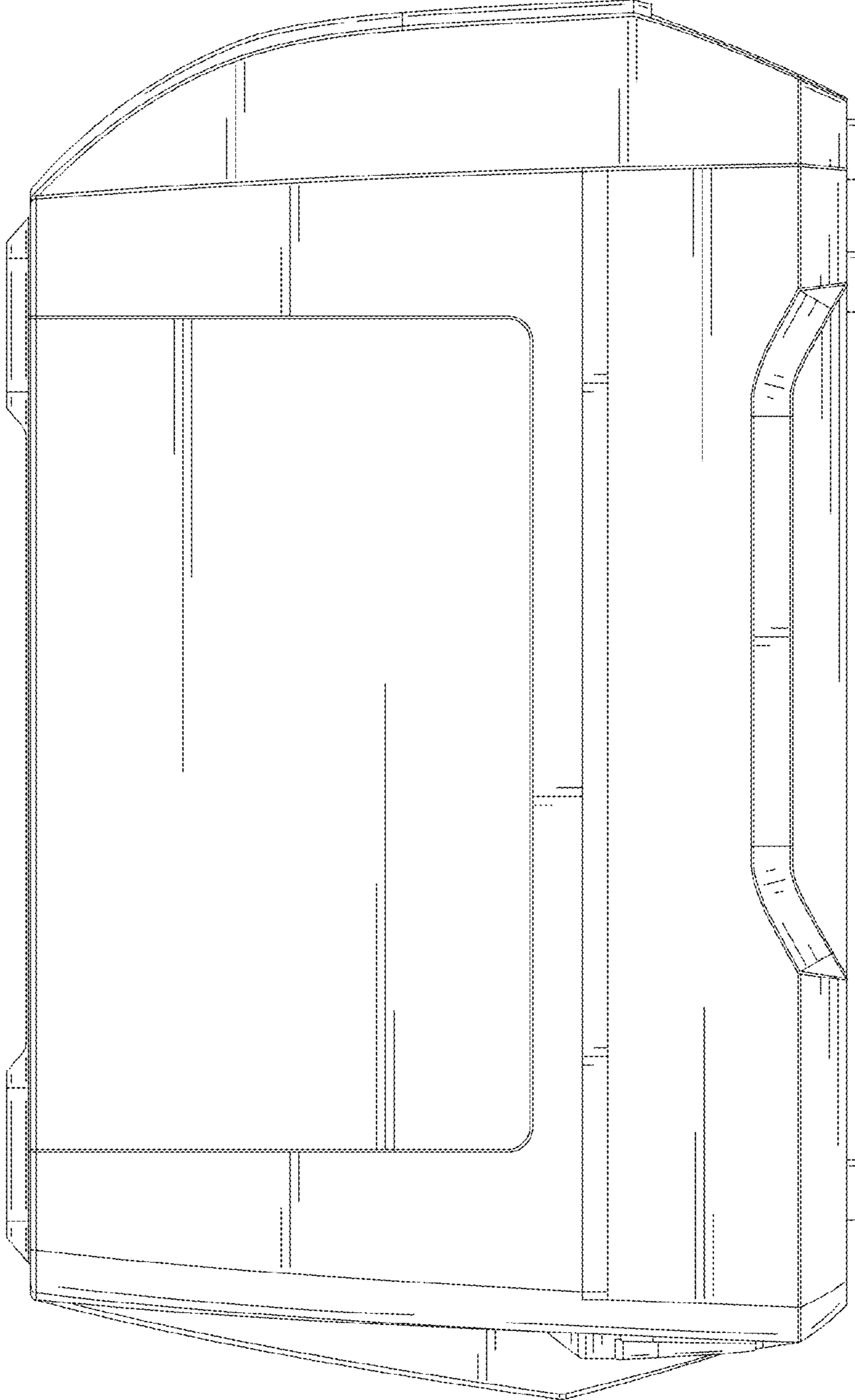


FIG. 6

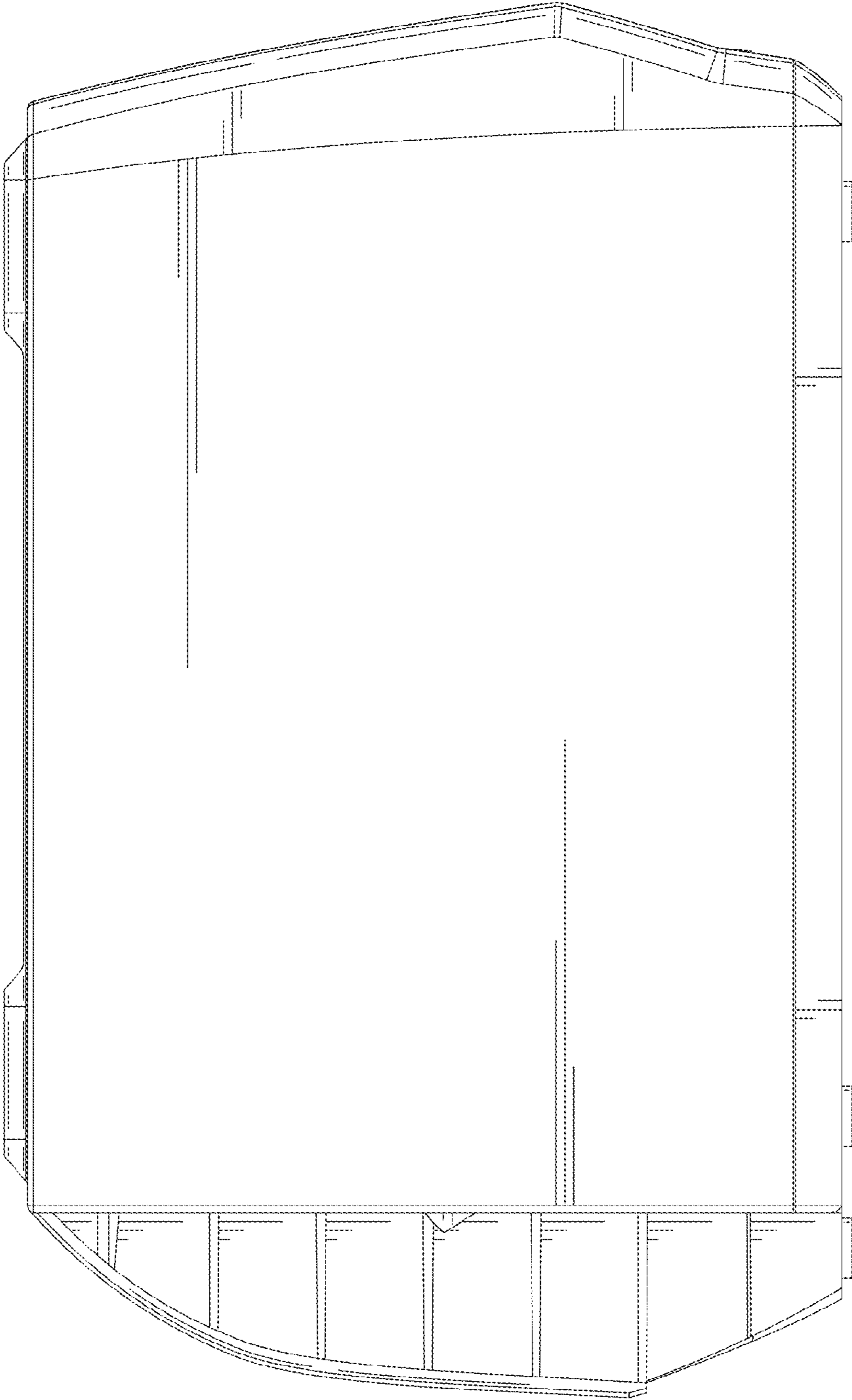


FIG. 7