



US00D687092S

(12) **United States Design Patent**
Suzuki et al.

(10) **Patent No.:** **US D687,092 S**
(45) **Date of Patent:** **** Jul. 30, 2013**

(54) **COPYING MACHINE**

(75) Inventors: **Hiroko Suzuki**, Yokohama (JP);
Weijiang Sun, Shanghai (CN)

(73) Assignee: **Ricoh Company, Ltd.**, Tokyo (JP)

(**) Term: **14 Years**

(21) Appl. No.: **29/411,710**

(22) Filed: **Jan. 25, 2012**

(51) **LOC (9) Cl.** **18-99**

(52) **U.S. Cl.**
USPC **D18/49; D18/40**

(58) **Field of Classification Search**
USPC D18/36-41, 44-56; 222/DIG. 1; 271/3.14,
271/8.1, 226, 278; 355/97, 99; 358/1.1;
399/1-7, 16, 75, 81, 107, 130, 151, 361,
399/365, 367, 381-383, 388
See application file for complete search history.

(56) **References Cited**

U.S. PATENT DOCUMENTS

D515,131 S *	2/2006	Hwang et al.	D18/55
D525,291 S *	7/2006	Fukumura et al.	D18/49
D531,175 S *	10/2006	Moskaluk et al.	D18/55
D539,839 S *	4/2007	Brinkly et al.	D18/49
D576,203 S *	9/2008	Laidlaw et al.	D18/55
D586,384 S *	2/2009	Yamaguchi et al.	D18/55
D596,226 S *	7/2009	Yamaguchi	D18/55

D607,505 S *	1/2010	Sasaki et al.	D18/55
D611,091 S *	3/2010	Ishikawa et al.	D18/55
D613,791 S *	4/2010	Yoshioka et al.	D18/55
D673,213 S *	12/2012	Kim et al.	D18/55

* cited by examiner

Primary Examiner — Garth Rademaker

(74) *Attorney, Agent, or Firm* — Oblon, Spivak,
McClelland, Maier & Neustadt, L.L.P.

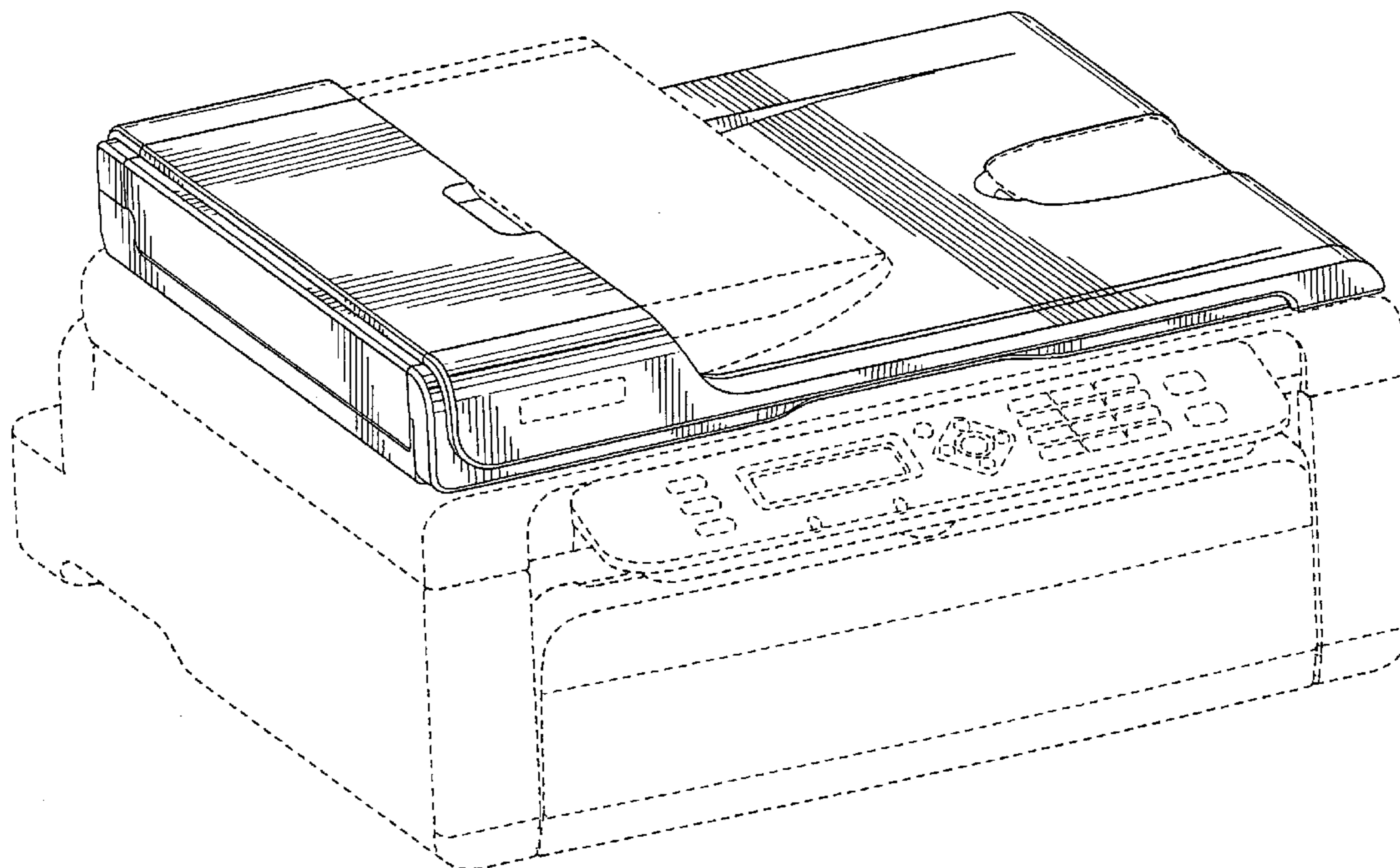
(57) **CLAIM**

The ornamental design for a copying machine, as shown and described.

DESCRIPTION

FIG. 1 is a front elevational view of a copying machine;
FIG. 2 is a rear elevational view thereof;
FIG. 3 is a left side elevational view thereof;
FIG. 4 is a right side elevational view thereof;
FIG. 5 is a top plan view thereof;
FIG. 6 is a bottom plan view thereof;
FIG. 7 is a front, top, and right side perspective view thereof;
FIG. 8 is a front, top, and left side perspective view thereof;
and,
FIG. 9 is a front, bottom, and left side perspective view thereof.
The broken lines in the drawings depict environmental subject matter only and form no part of the claimed design.

1 Claim, 9 Drawing Sheets



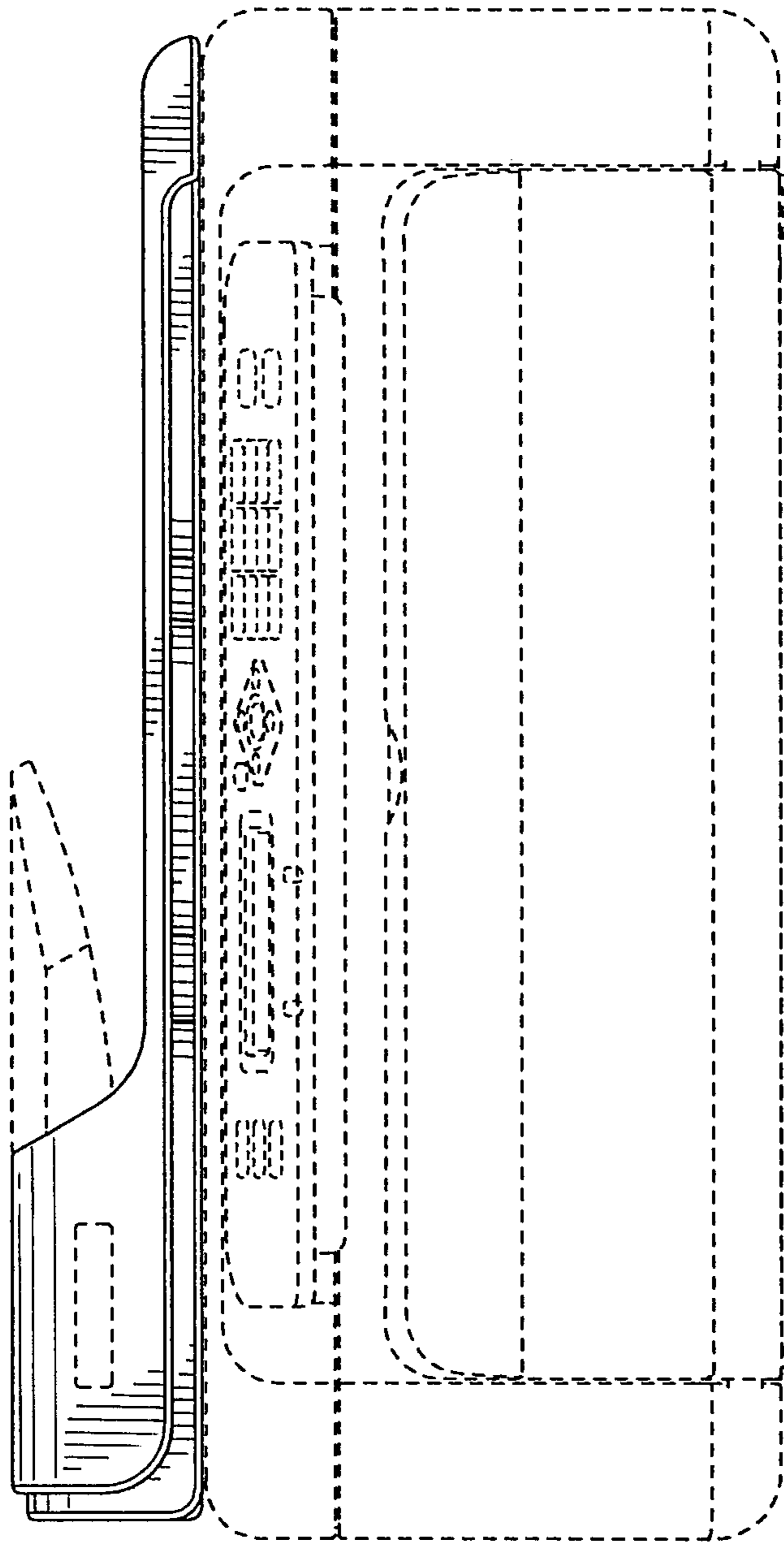


Fig. 1

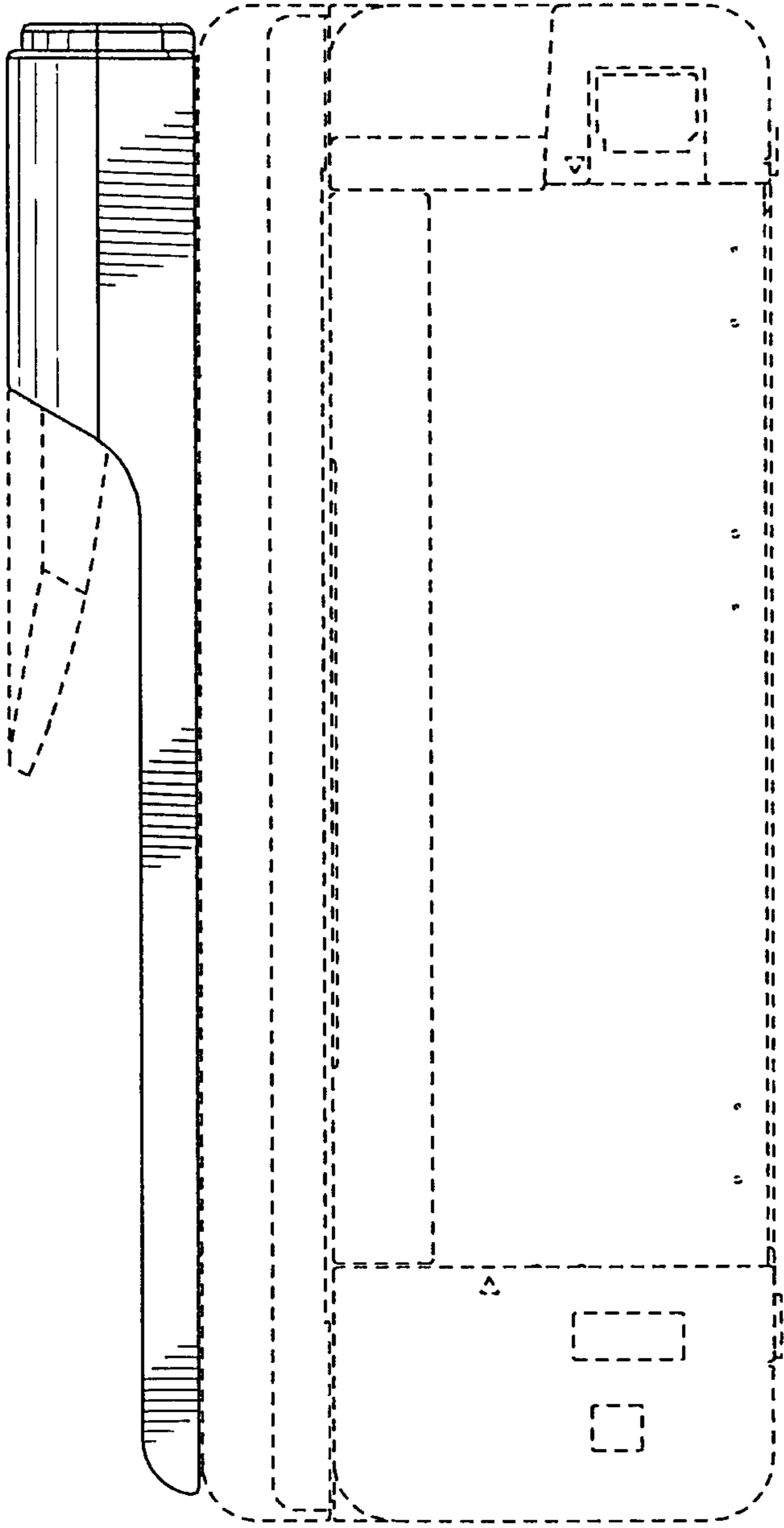


Fig. 2

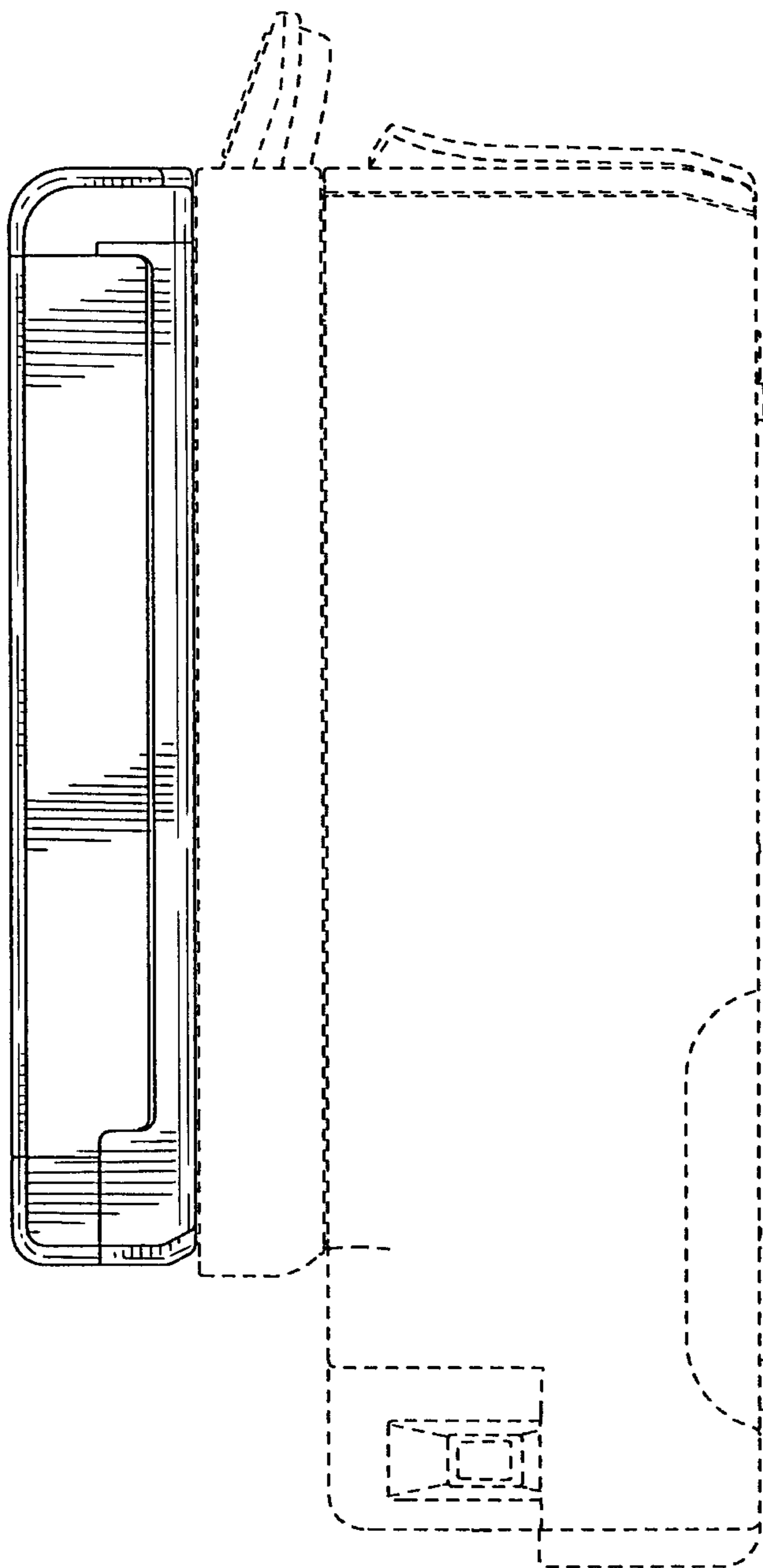


Fig. 3

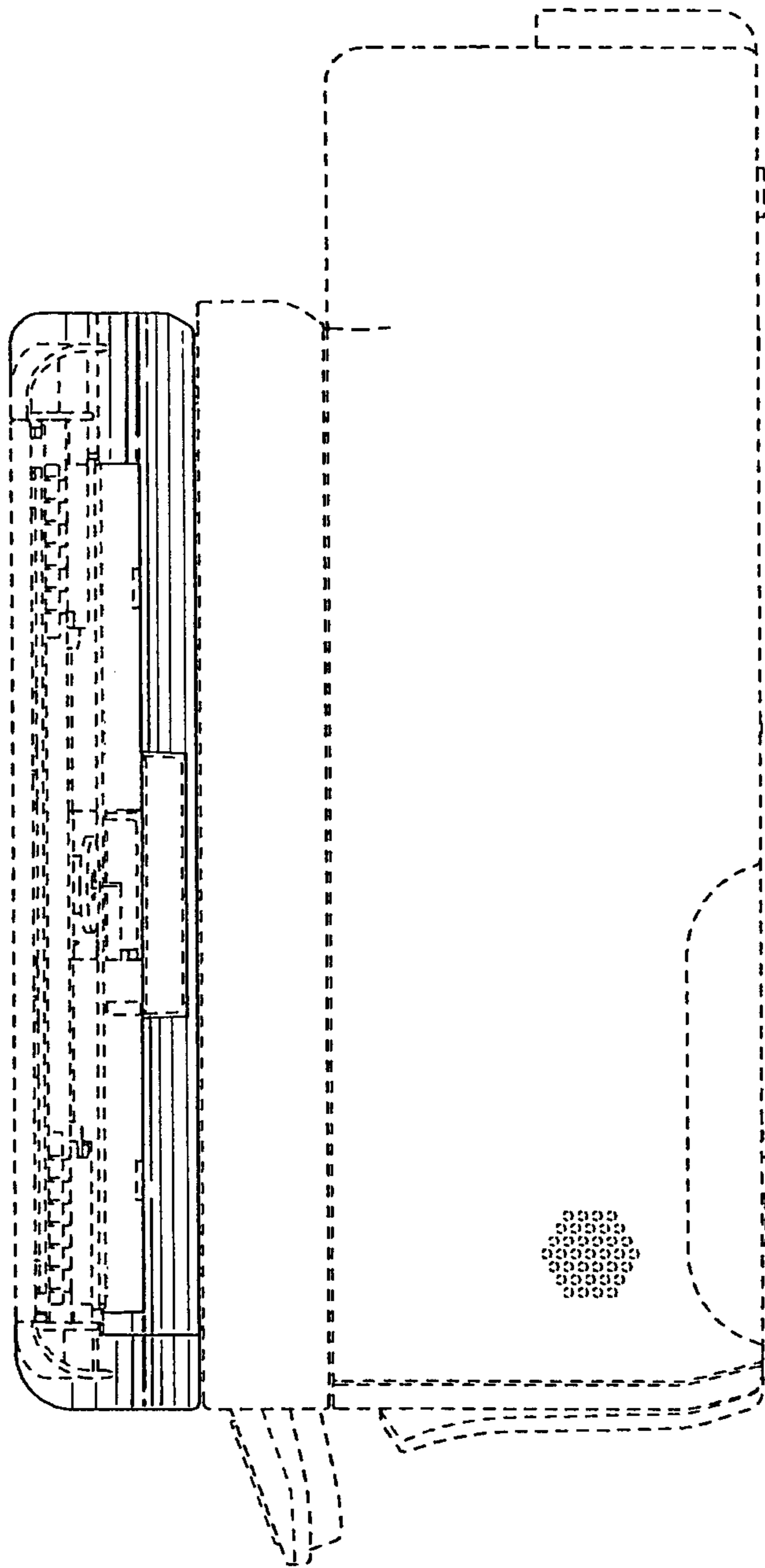


Fig. 4

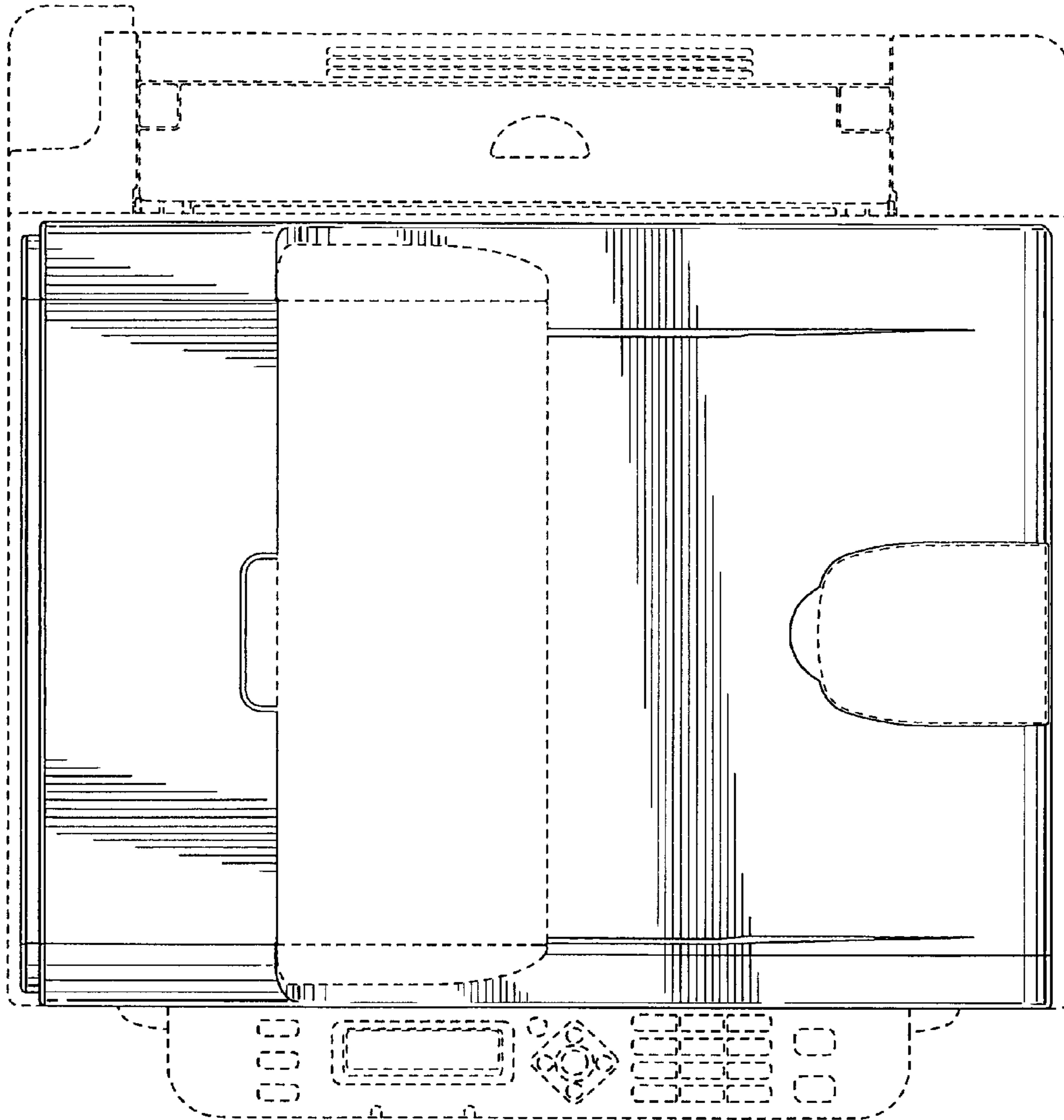


Fig. 5

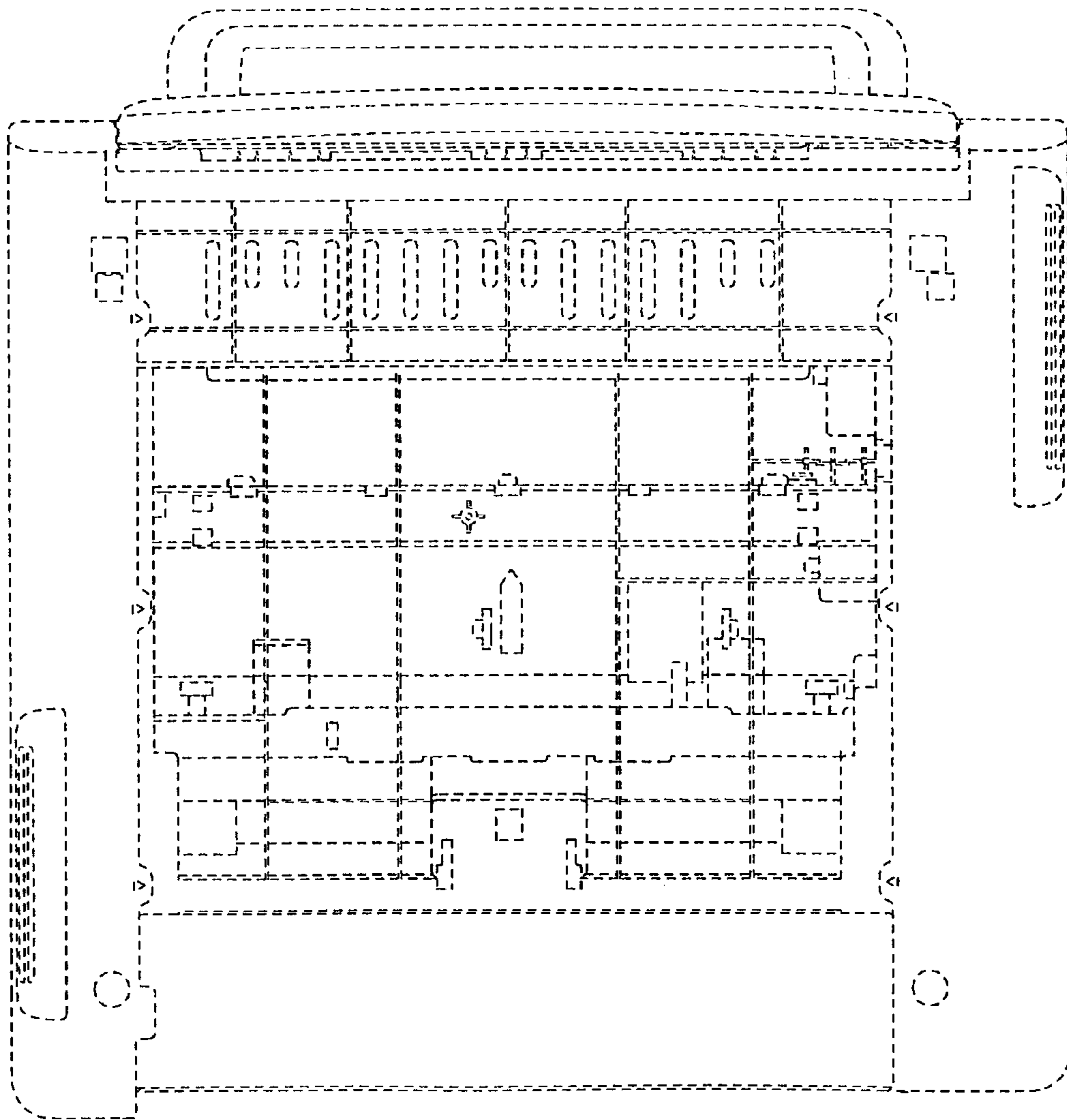


Fig. 6

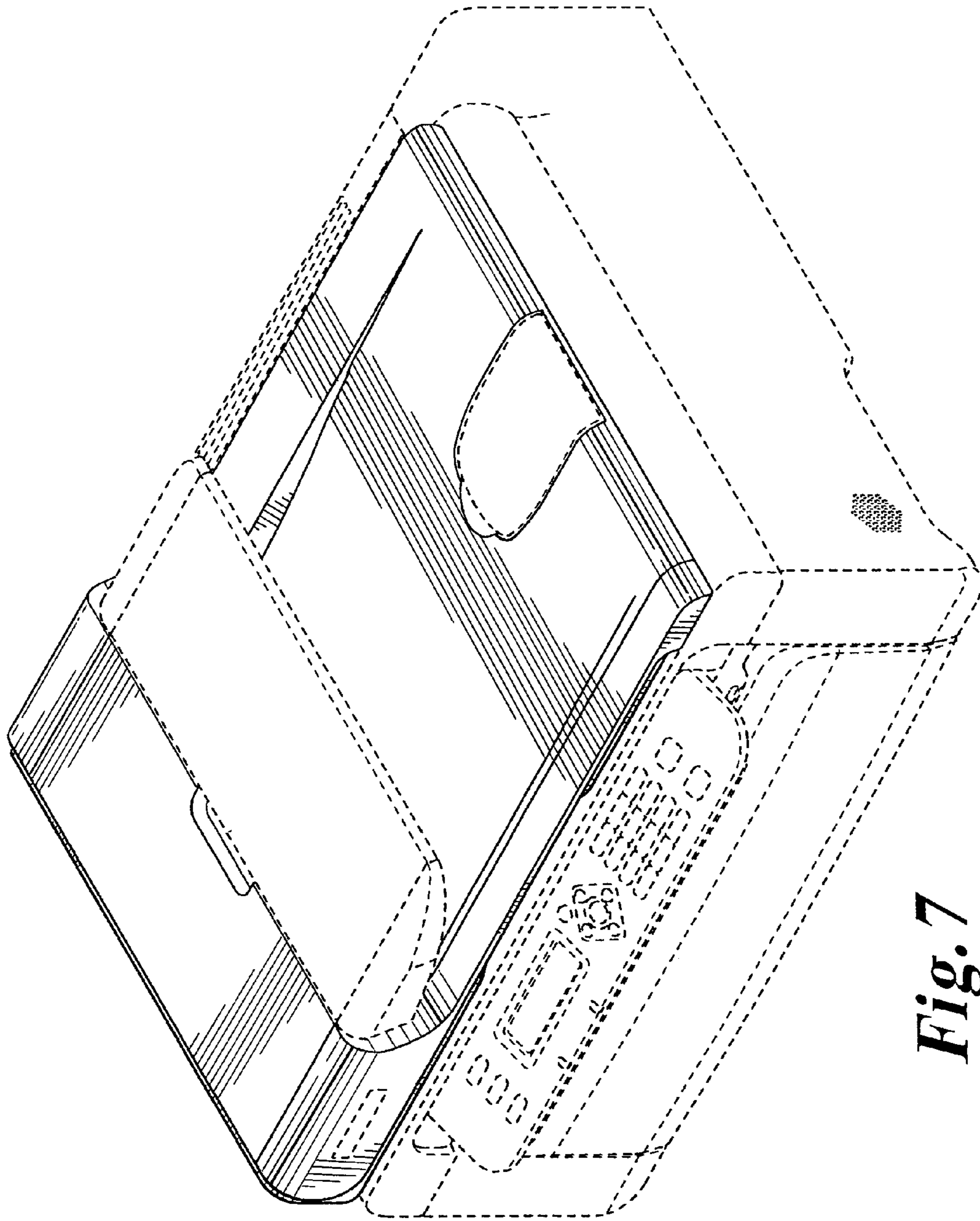


Fig. 7

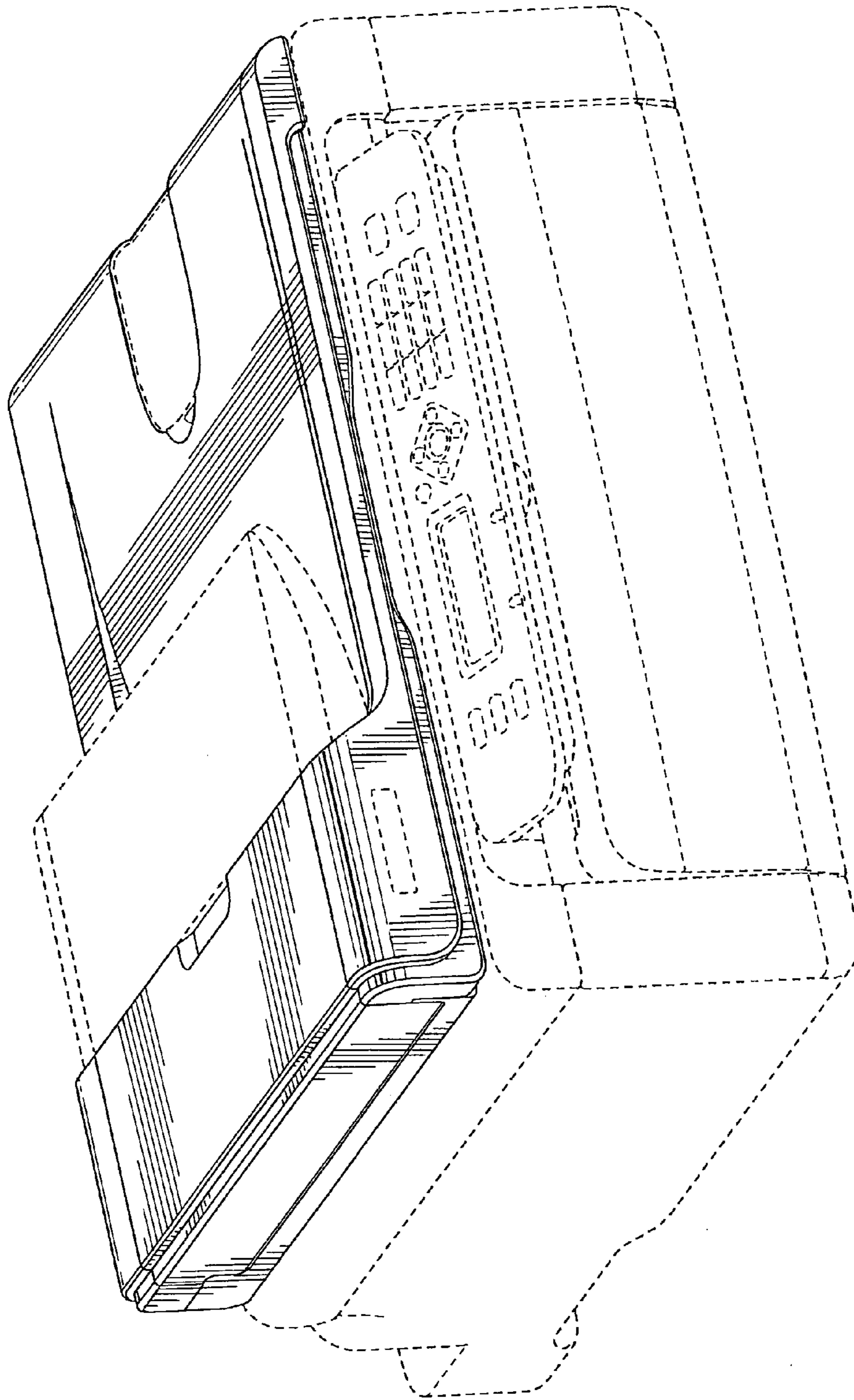


Fig. 8

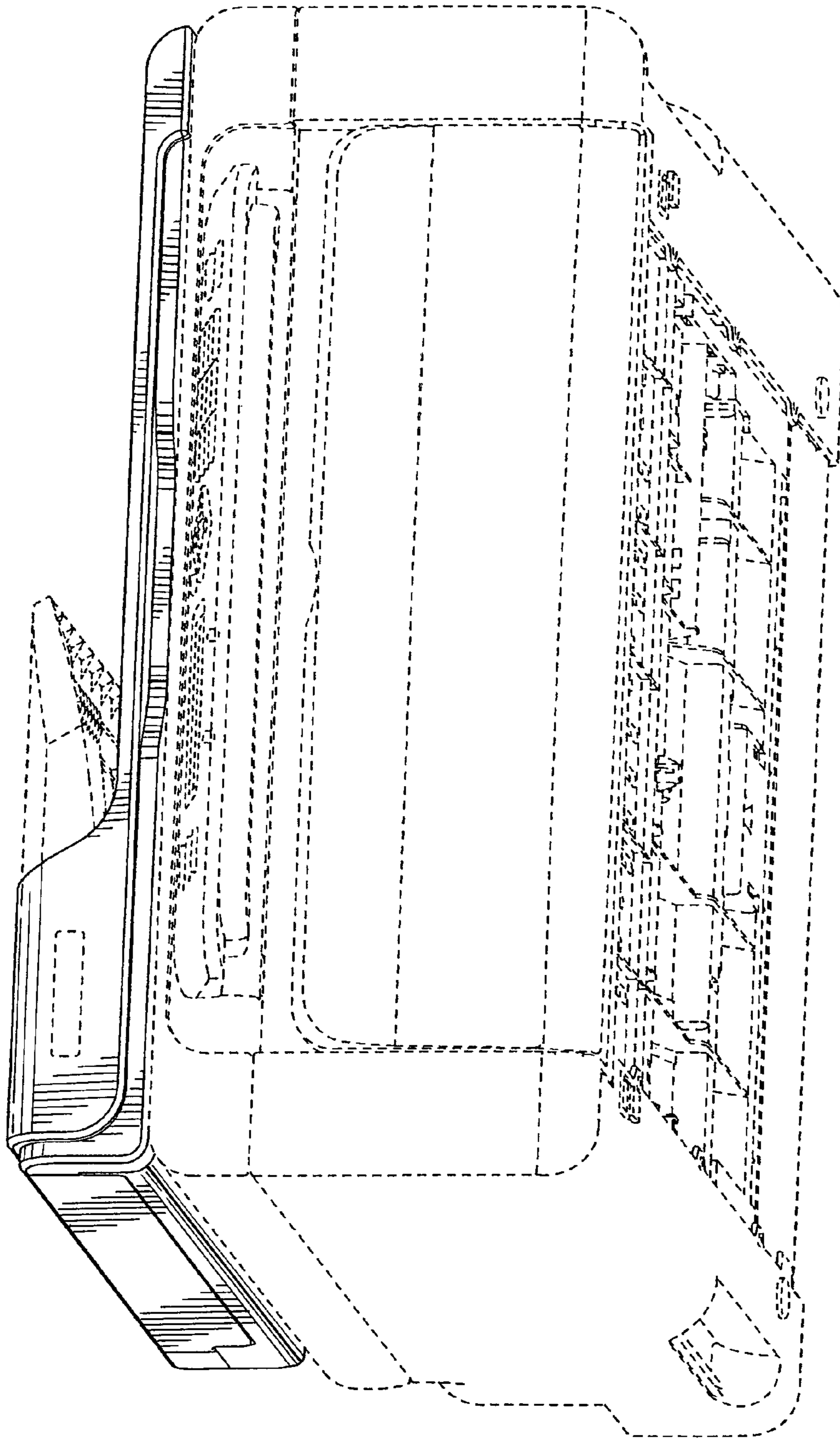


Fig. 9