



US00D687091S

(12) **United States Design Patent**  
**Wakimoto**

(10) **Patent No.:** **US D687,091 S**  
(45) **Date of Patent:** **\*\* Jul. 30, 2013**

(54) **TONER CARTRIDGE**

(75) Inventor: **Atsuhiko Wakimoto**, Osaka (JP)

(73) Assignee: **Kyocera Document Solutions Inc.**,  
Osaka (JP)

(\*\*) Term: **14 Years**

(21) Appl. No.: **29/432,092**

(22) Filed: **Sep. 13, 2012**

(30) **Foreign Application Priority Data**

Mar. 30, 2012 (JP) ..... 2012-007583

(51) **LOC (9) Cl.** ..... **16-03**

(52) **U.S. Cl.**  
USPC ..... **D18/43**

(58) **Field of Classification Search**  
USPC ..... D14/471; D18/12, 36, 40, 43, 44,  
D18/56; 222/DIG. 1; 347/197, 222; 399/24-28,  
399/107-112, 119, 121, 122, 222-224  
See application file for complete search history.

(56) **References Cited**

**U.S. PATENT DOCUMENTS**

D266,742 S \* 11/1982 Claxton ..... D18/12  
D268,846 S \* 5/1983 Jolliffe ..... D18/12  
D277,999 S \* 3/1985 Weiner ..... D18/12

D285,503 S \* 9/1986 Weiner ..... D18/12  
5,802,432 A \* 9/1998 Coffey et al. .... 399/110  
D410,947 S \* 6/1999 Schwamkrug ..... D18/43  
D422,627 S \* 4/2000 Drinkwater et al. .... D18/43  
D432,916 S \* 10/2000 Drinkwater et al. .... D18/43  
D450,080 S \* 11/2001 Ashikari ..... D18/40  
D484,530 S \* 12/2003 Sugata et al. .... D18/40  
D524,849 S \* 7/2006 Komai ..... D18/43  
D647,557 S \* 10/2011 Iketani ..... D18/43  
2010/0092207 A1 \* 4/2010 Ito et al. .... 399/109

\* cited by examiner

*Primary Examiner* — Garth Rademaker

(74) *Attorney, Agent, or Firm* — Young & Thompson

(57) **CLAIM**

The ornamental design for a toner cartridge, as shown and described.

**DESCRIPTION**

FIG. 1 is a front, left side, top perspective view of a toner cartridge showing my new design;  
FIG. 2 is a front, right side, bottom perspective view thereof;  
FIG. 3 is a front view thereof;  
FIG. 4 is a rear view thereof;  
FIG. 5 is a left side view thereof;  
FIG. 6 is a right side view thereof;  
FIG. 7 is a top view thereof; and,  
FIG. 8 is a bottom view thereof.

The broken lines depict portions of the toner cartridge which form no part of the claimed design.

**1 Claim, 7 Drawing Sheets**

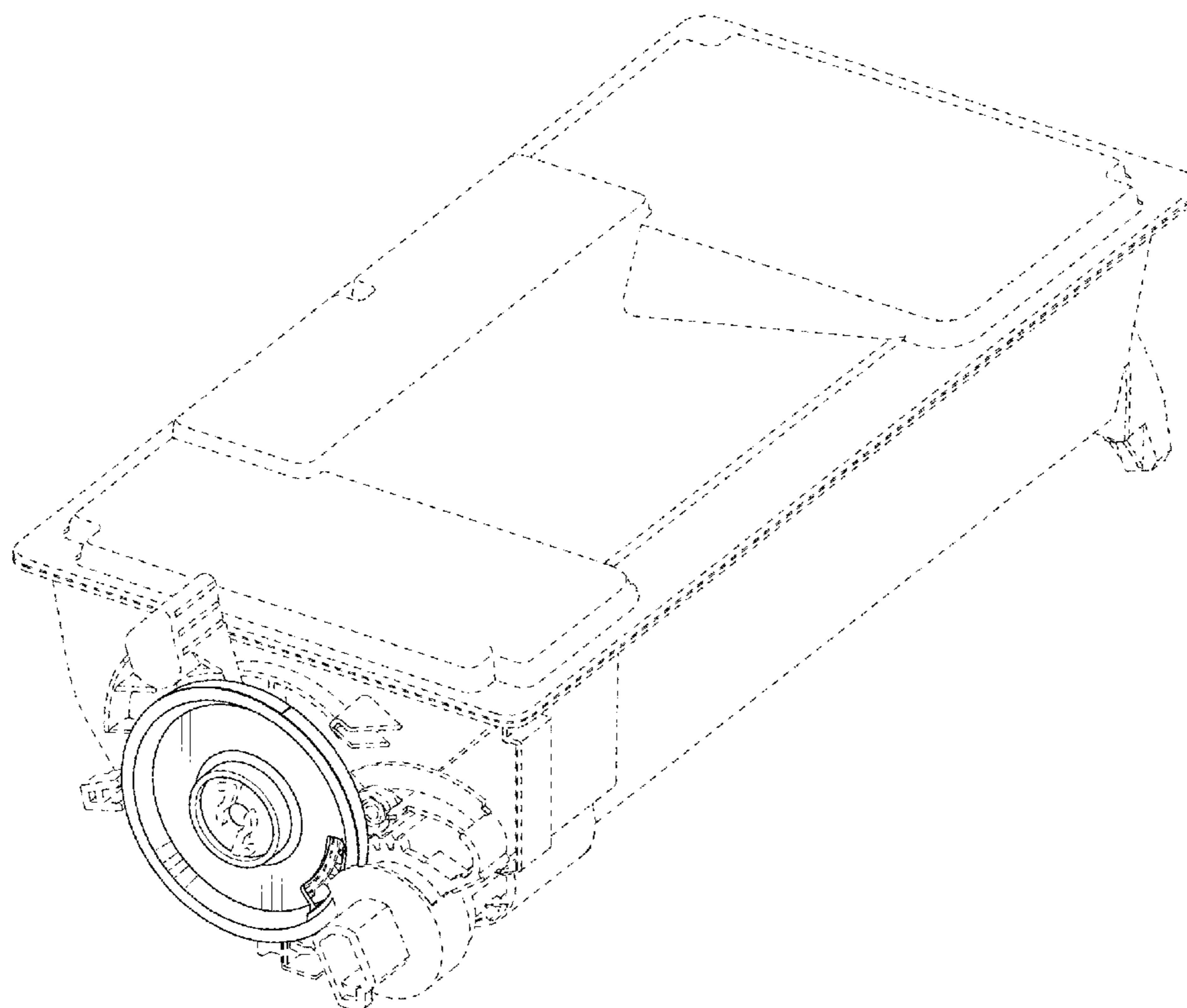


Fig. 1

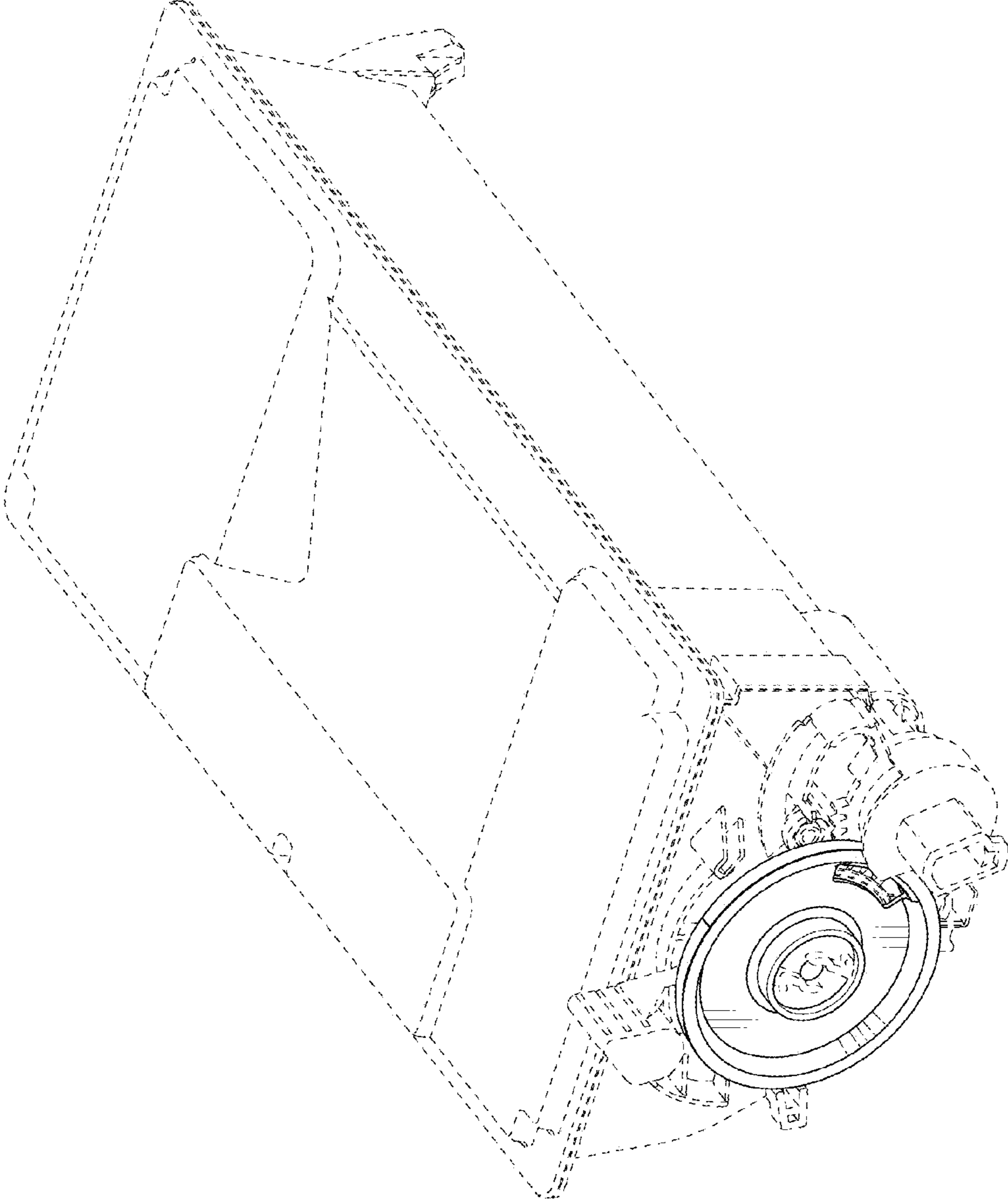


Fig. 2

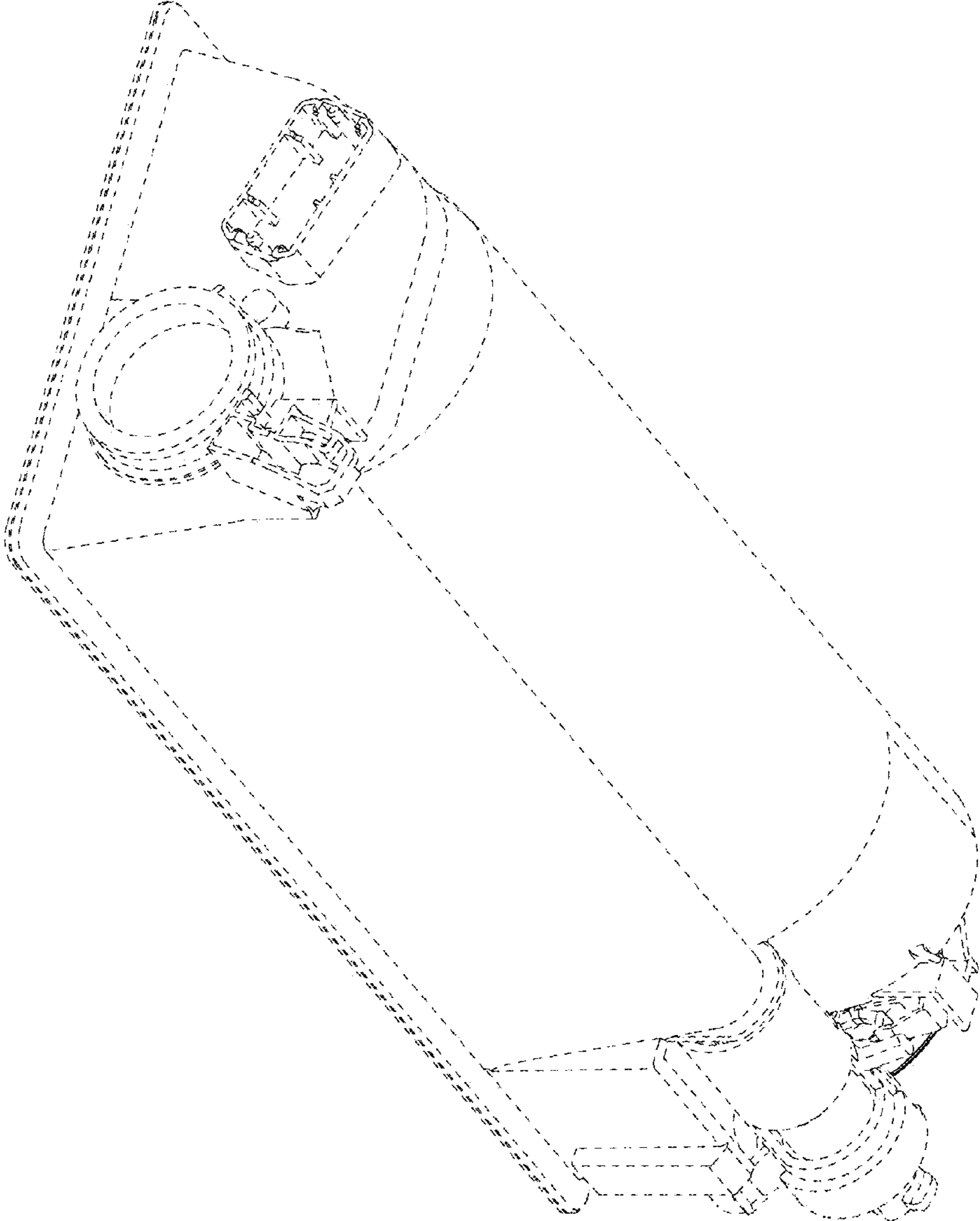


Fig. 3

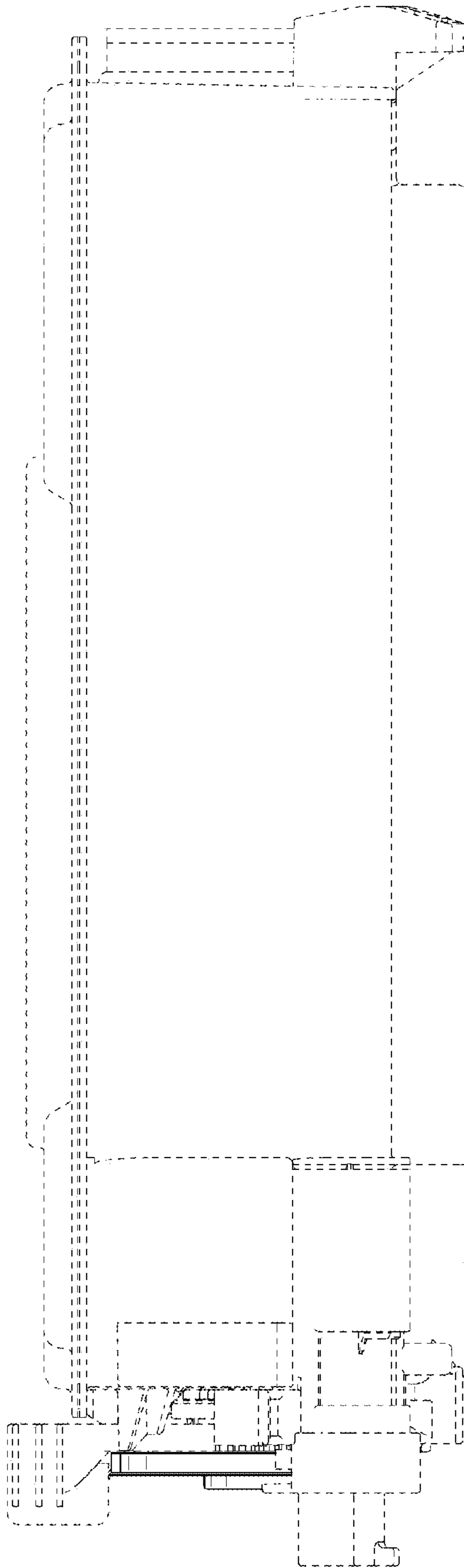


Fig. 4

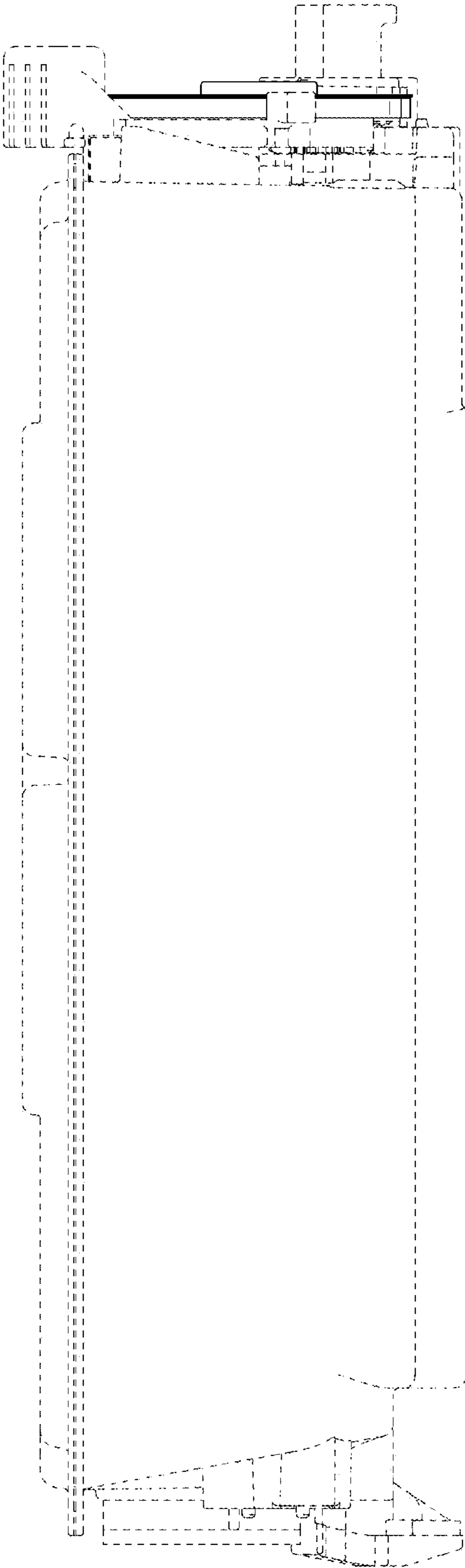


Fig. 6

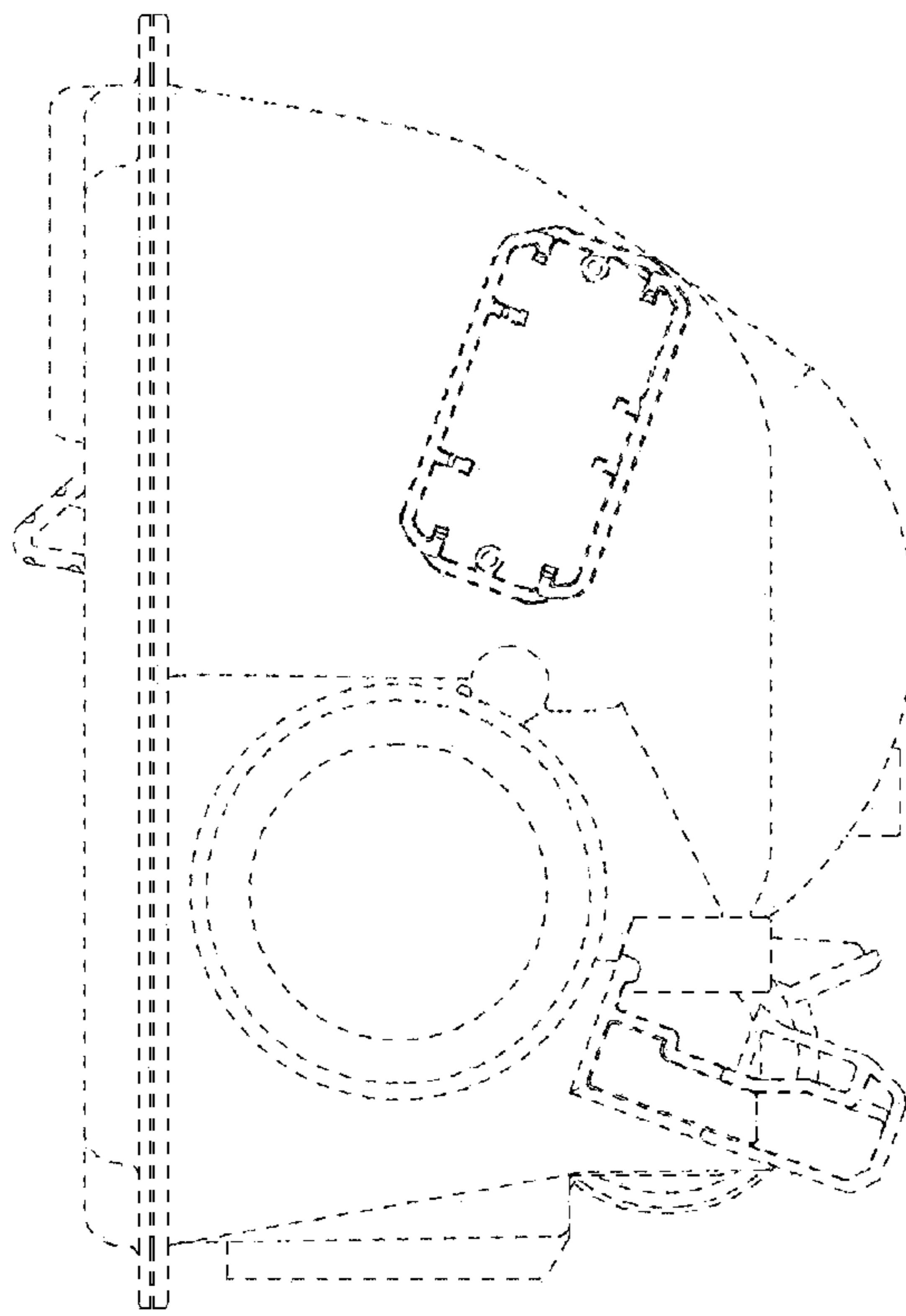


Fig. 5

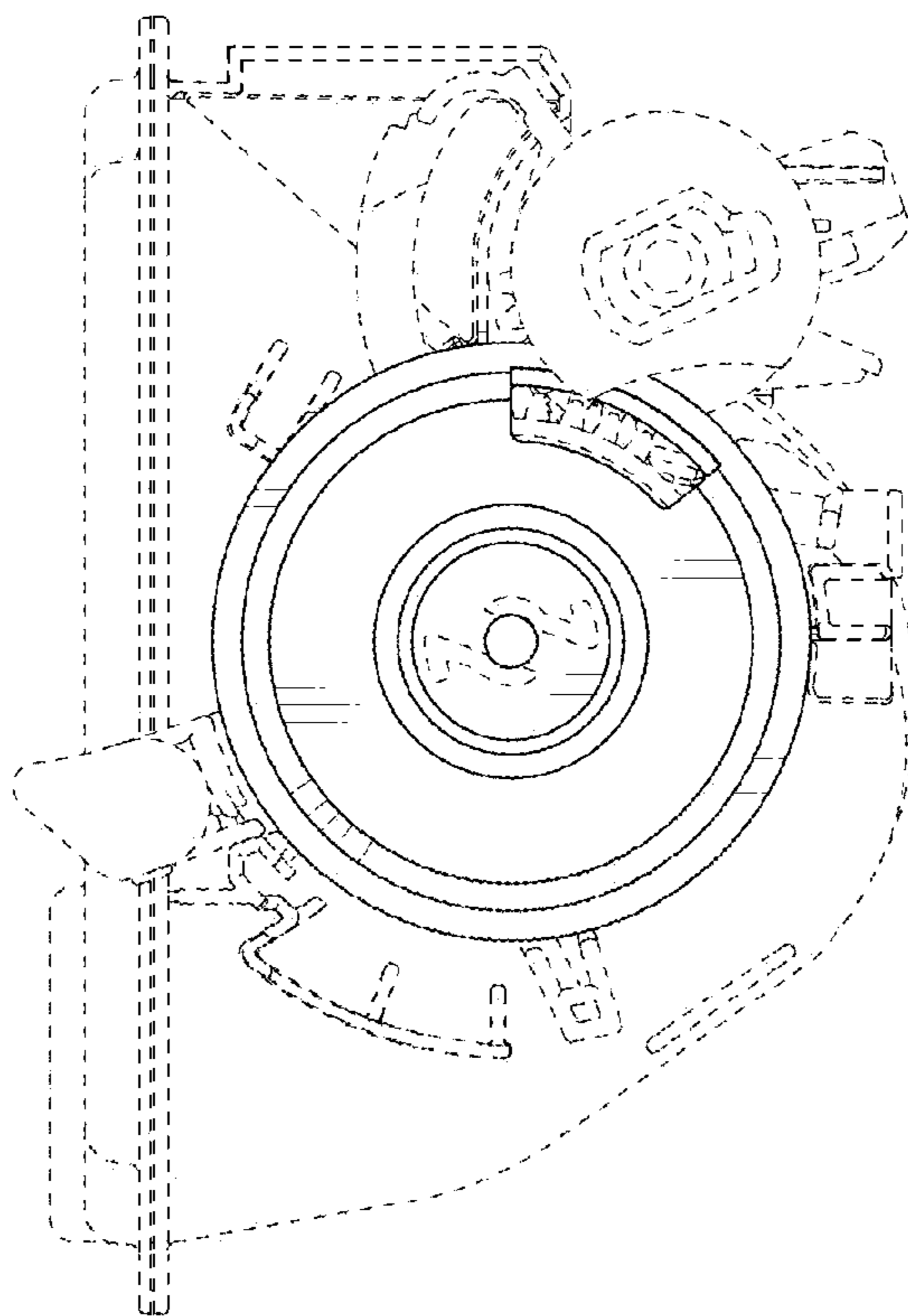


Fig. 7

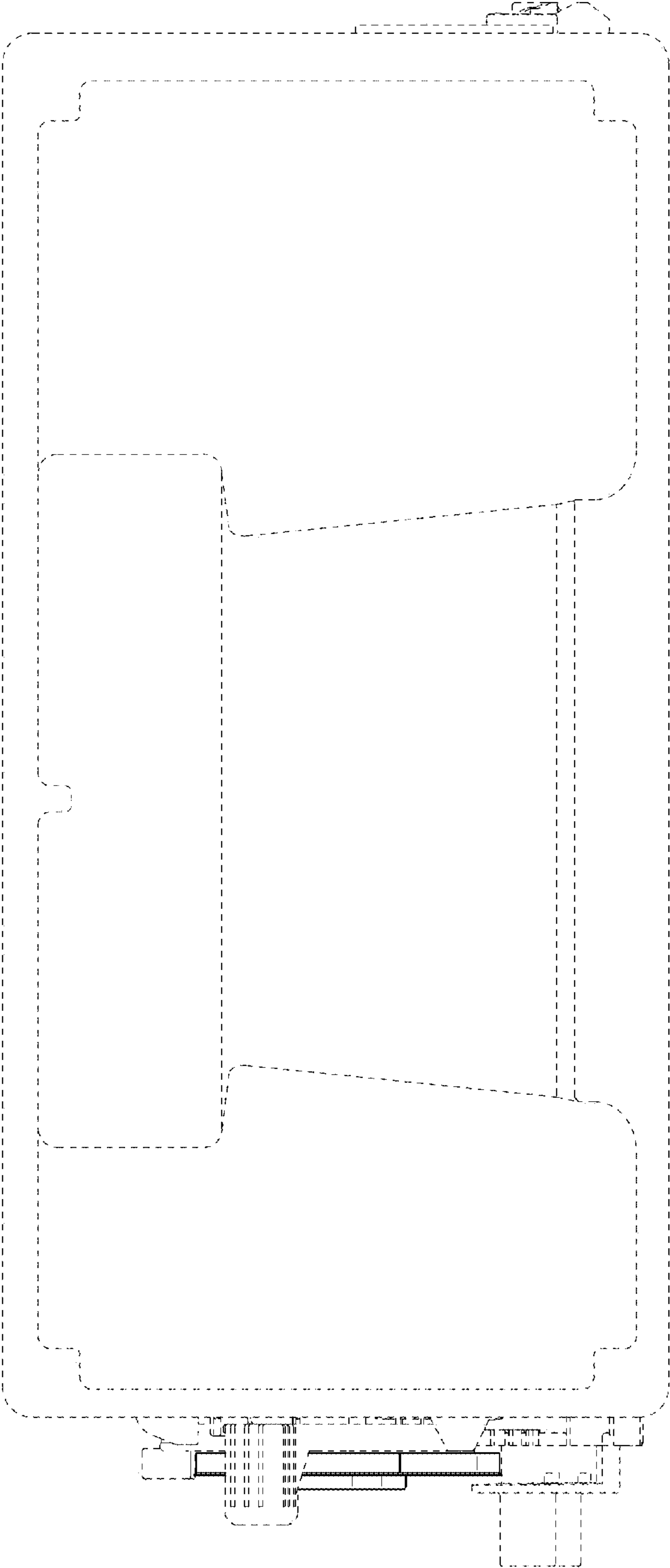


Fig. 8

