



US00D687090S

(12) **United States Design Patent**  
**Takeda**

(10) **Patent No.:** **US D687,090 S**  
(45) **Date of Patent:** **\*\* Jul. 30, 2013**

(54) **OPERATION PANEL FOR AN IMAGE FORMING APPARATUS**

D659,750 S \* 5/2012 Nagano et al. .... D18/41  
D664,591 S \* 7/2012 Ohta et al. .... D18/41

\* cited by examiner

(75) Inventor: **Shuuichi Takeda**, Tokyo (JP)

*Primary Examiner* — Garth Rademaker

(73) Assignee: **Ricoh Company, Ltd.**, Tokyo (JP)

(74) *Attorney, Agent, or Firm* — Dickstein Shaprio LLP

(\*\*) Term: **14 Years**

(57) **CLAIM**

The ornamental design for an operation panel for an image forming apparatus, as shown and described.

(21) Appl. No.: **29/415,301**

**DESCRIPTION**

(22) Filed: **Mar. 9, 2012**

(30) **Foreign Application Priority Data**

Dec. 6, 2011 (JP) ..... 2011-028220

(51) **LOC (9) Cl.** ..... **16-03**

(52) **U.S. Cl.**  
USPC ..... **D18/41**

(58) **Field of Classification Search**  
USPC .... D18/36-41, 44-56; 222/DIG. 1; 271/3.14,  
271/8.1, 226, 278; 355/97, 99; 358/1.1;  
399/1-7, 16, 75, 81, 107, 130, 151, 361,  
399/365, 367, 381-383, 388  
See application file for complete search history.

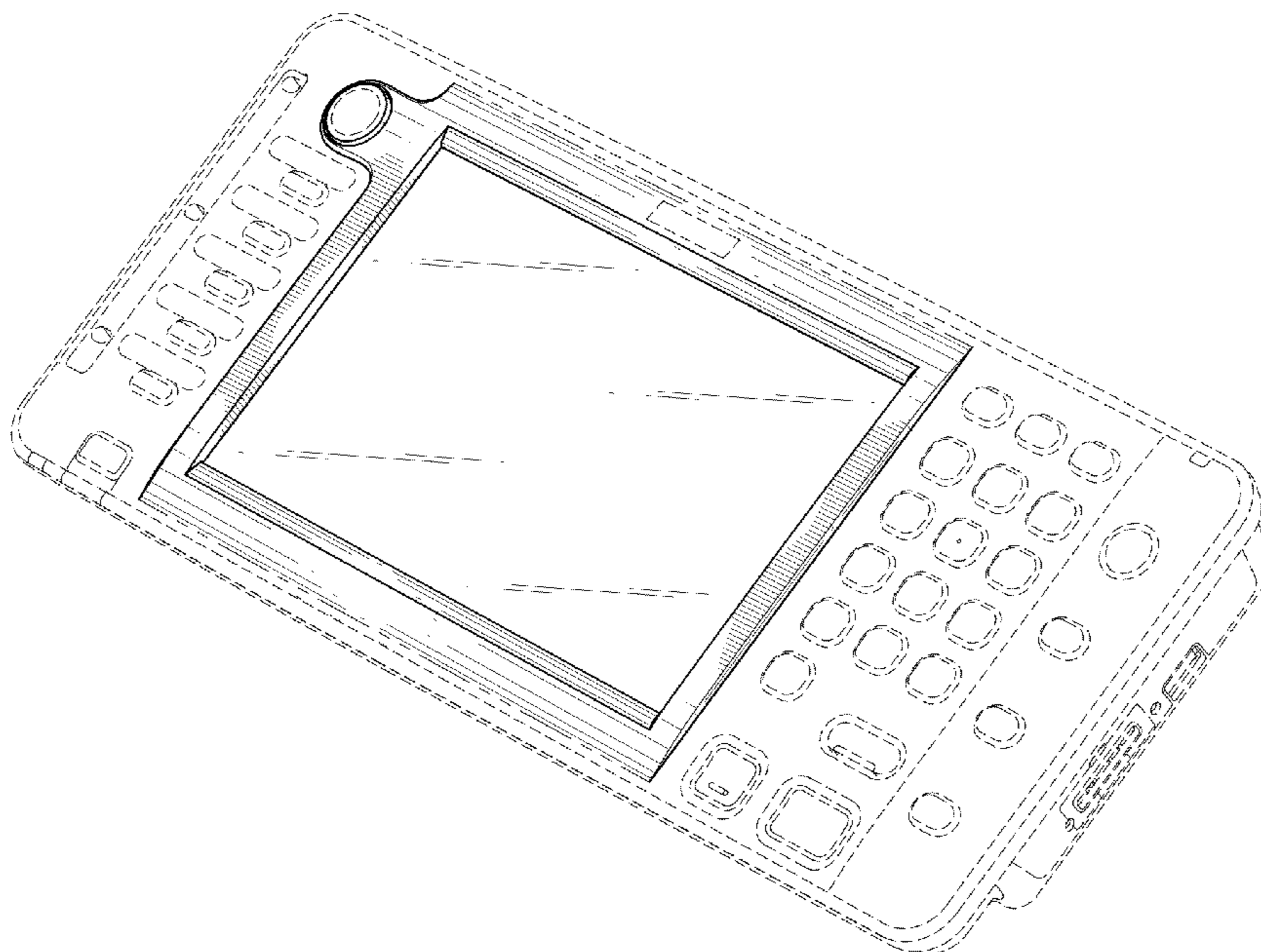
FIG. 1 is a front view of an operation panel for an image forming apparatus, showing the new design; FIG. 2 is a rear view thereof; FIG. 3 is a right-side view thereof; FIG. 4 is a left-side view thereof; FIG. 5 is a top view thereof; FIG. 6 is a bottom view thereof; FIG. 7 is a front, left side and top view thereof; FIG. 8 is a front, right side and top view thereof; and, FIG. 9 is another front, left side and top view thereof, showing the operation panel attached to an image forming apparatus. In operation, the operation panel is attached to an image forming apparatus such as a copying machine, a printer, a facsimile machine, a scanner, a combination of such machines, or the like. A user may use the operation panel to operate each function of the image forming apparatus, such as copying, printing and scanning. The broken line showing of the operation panel is for the purpose of illustrating environmental structure and forms no part of the claimed design. Subject matter shown in broken lines in the drawings forms no part of the claimed design.

(56) **References Cited**

U.S. PATENT DOCUMENTS

D352,522 S \* 11/1994 Tomatsu et al. .... D18/40  
D537,471 S \* 2/2007 Inoue ..... D18/41  
D556,821 S \* 12/2007 Horiguchi et al. .... D18/41  
D577,763 S \* 9/2008 Hidaka et al. .... D18/39

**1 Claim, 5 Drawing Sheets**



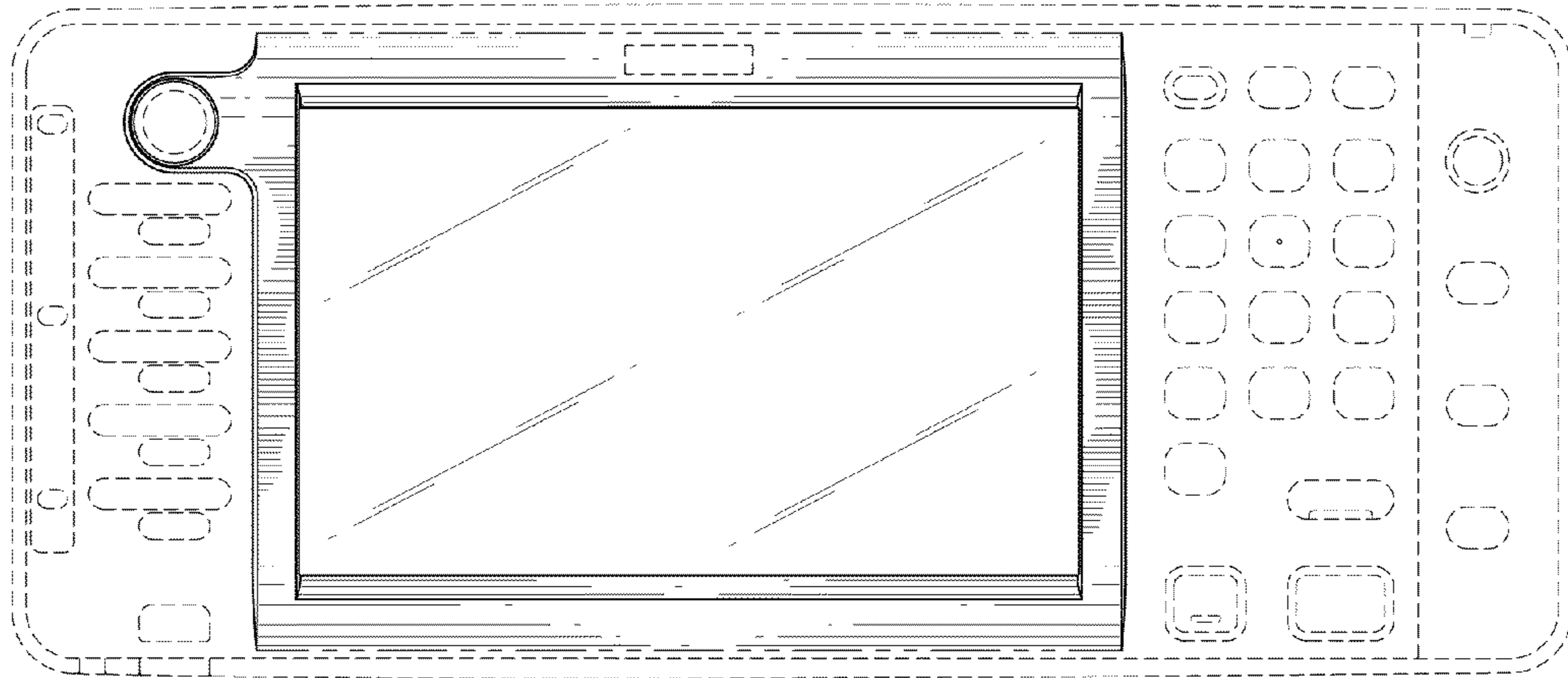


FIG. 1

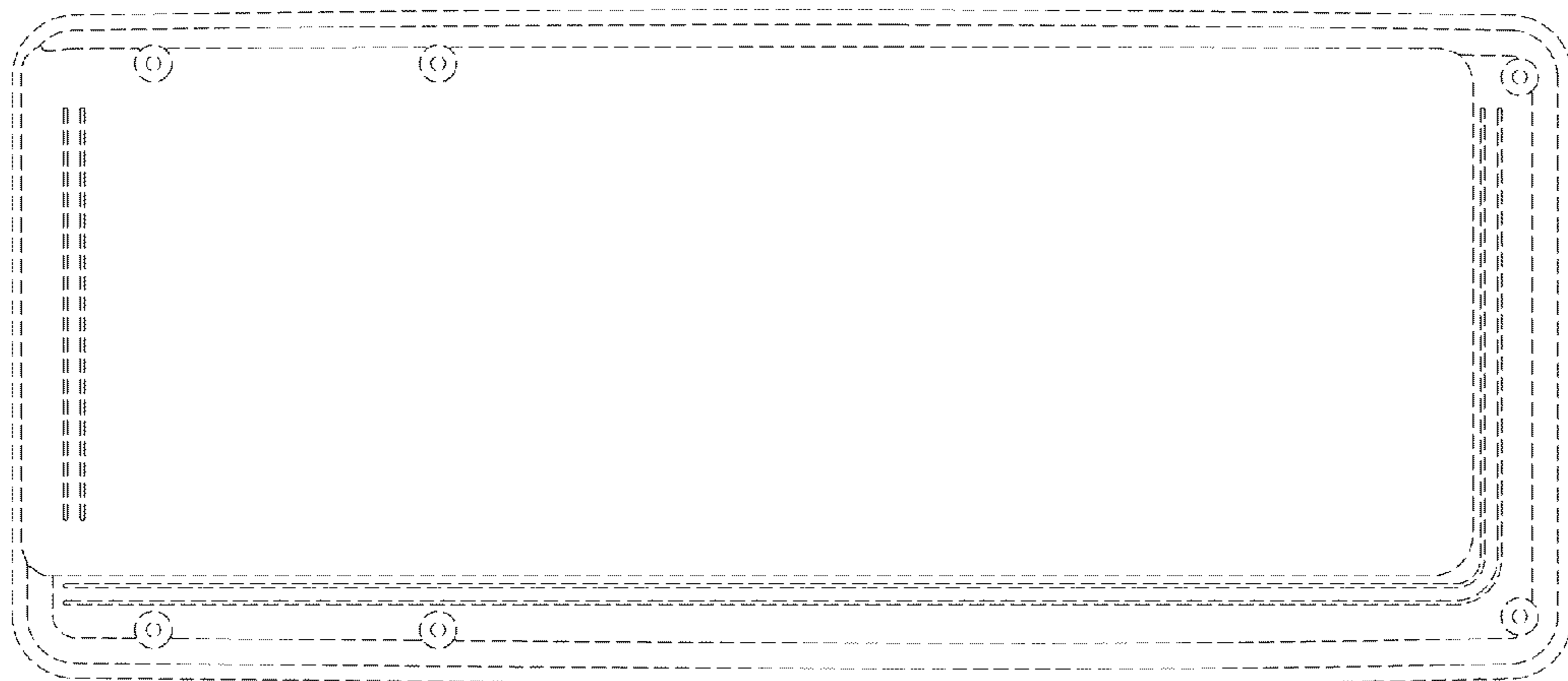


FIG. 2

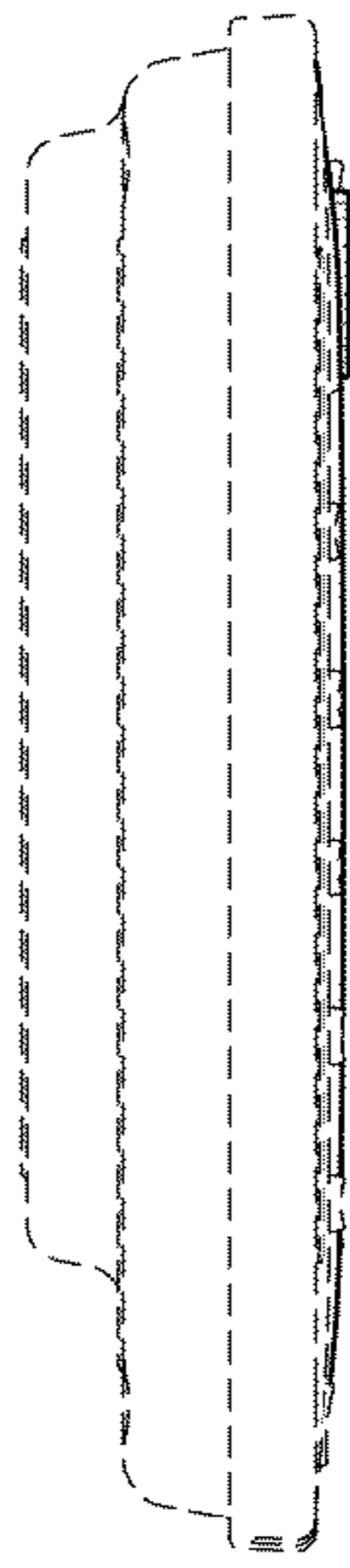


FIG. 3

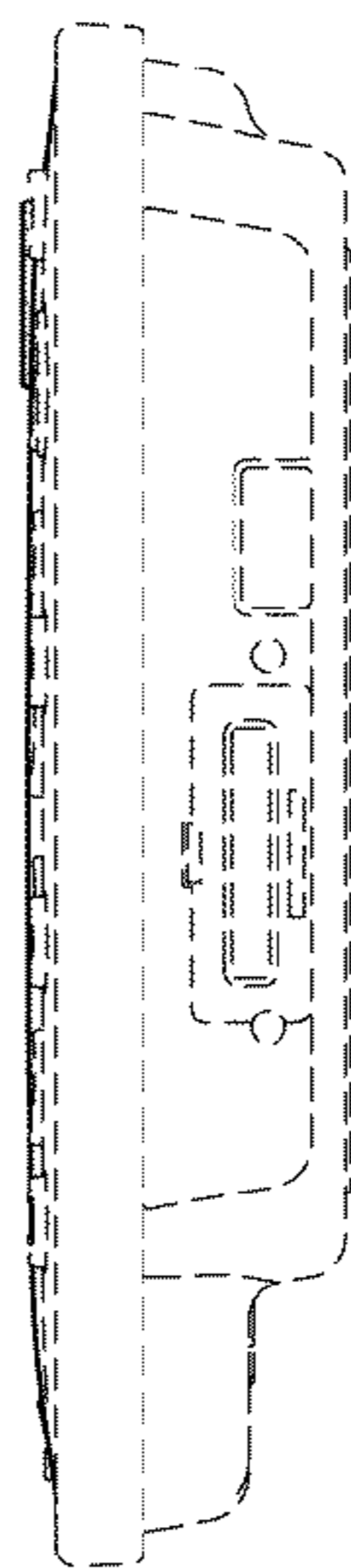


FIG. 4

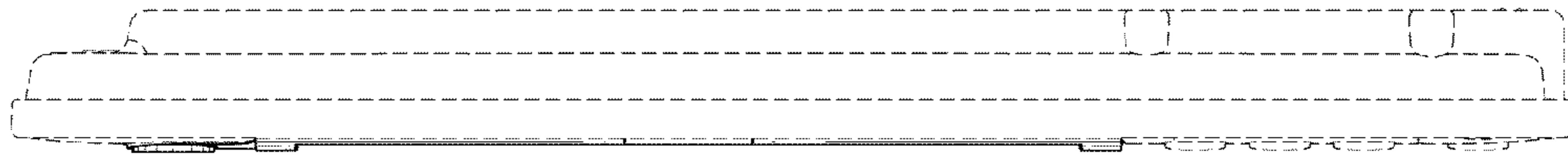


FIG. 5

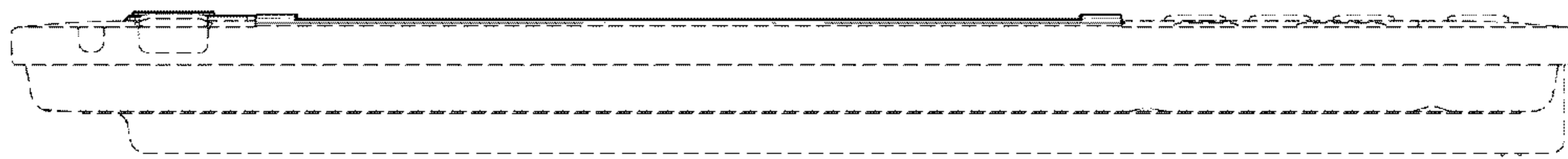


FIG. 6

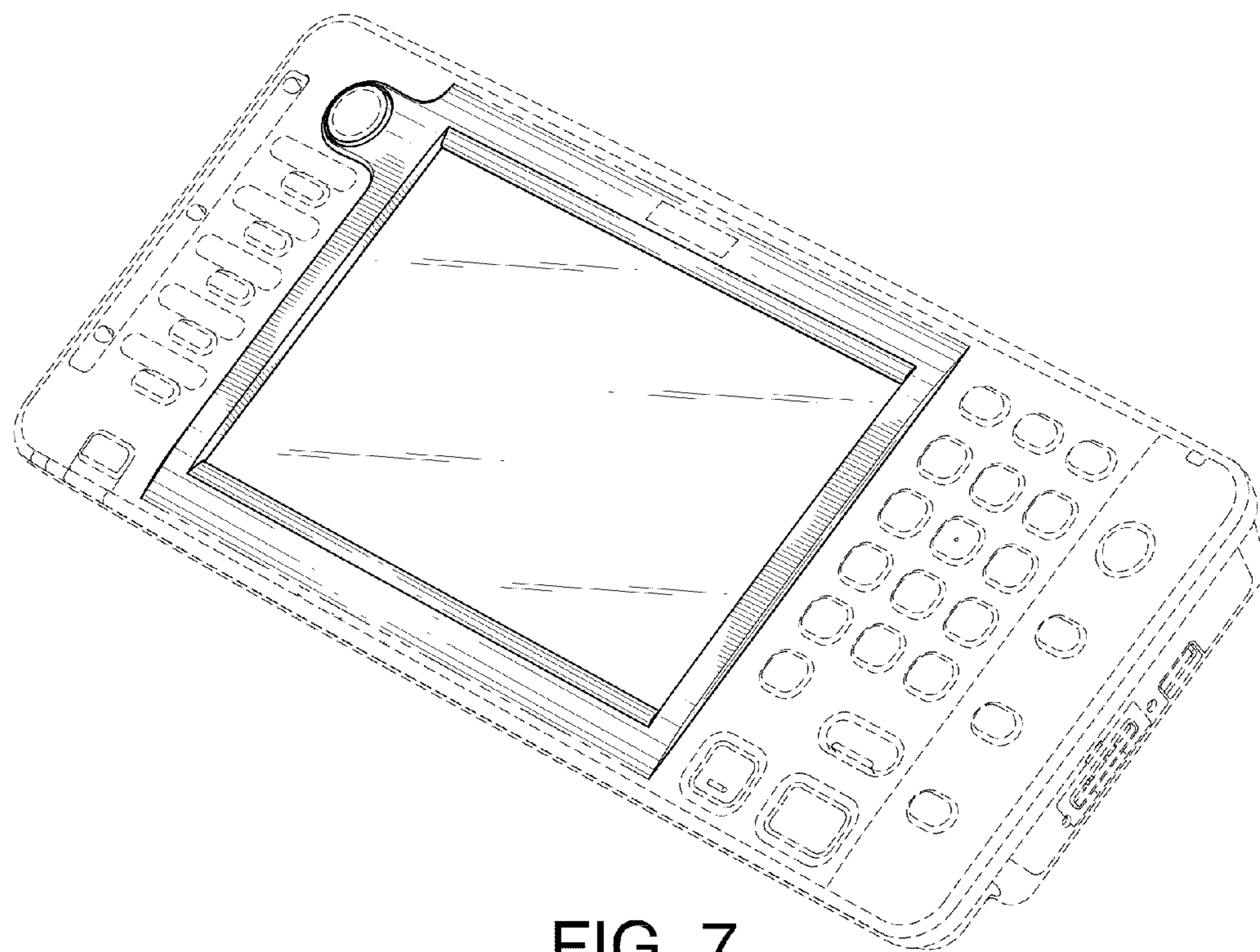


FIG. 7

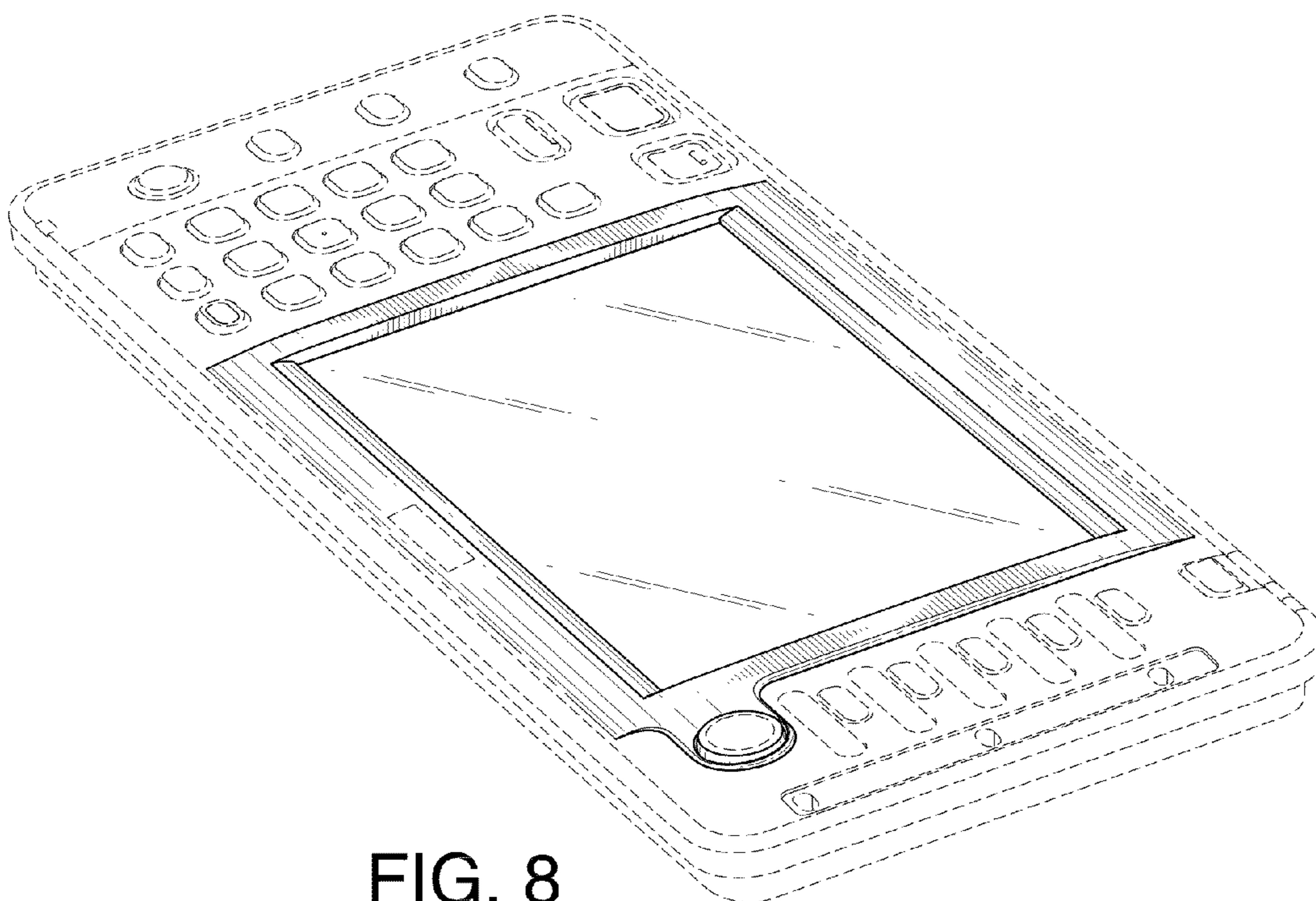


FIG. 8

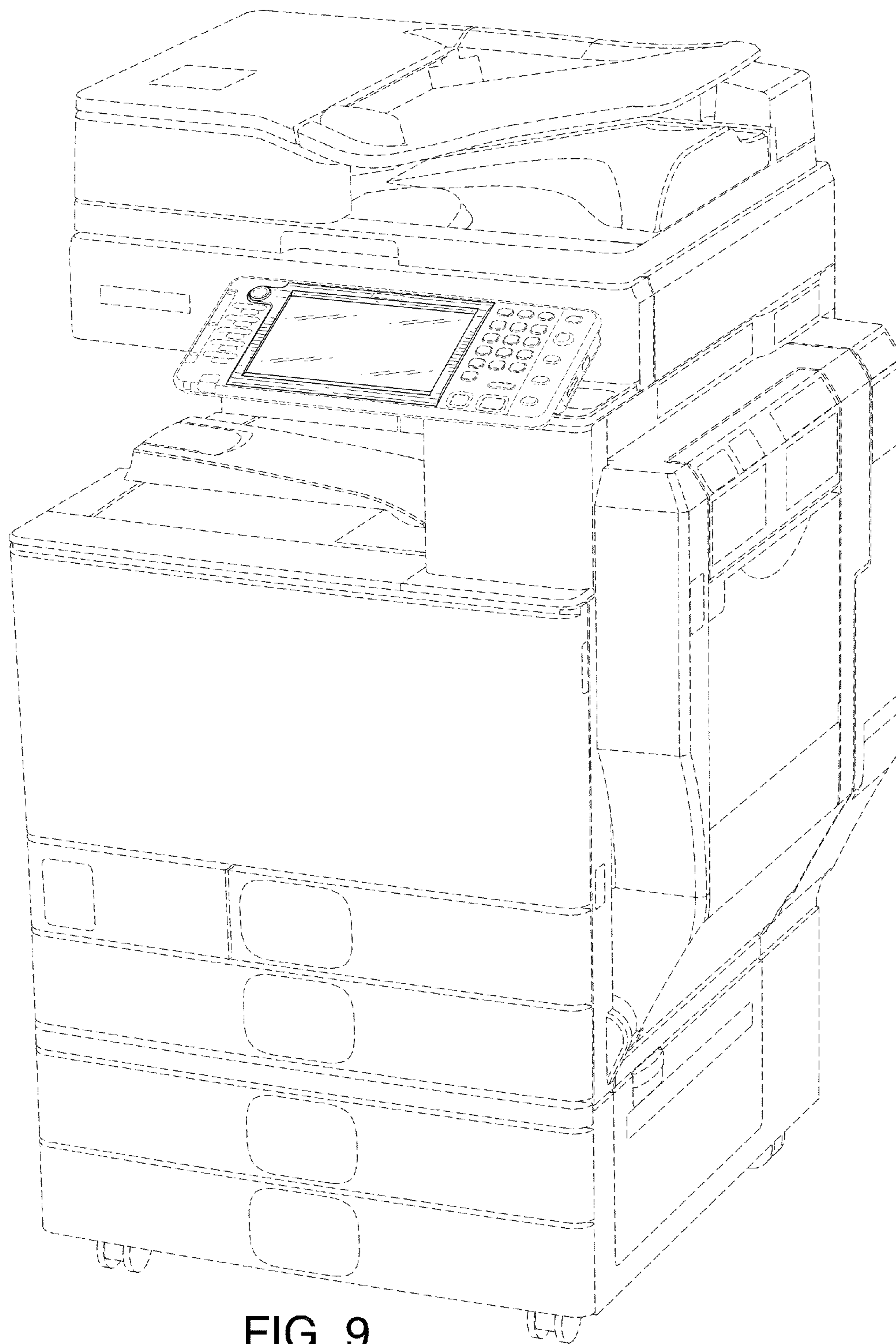


FIG. 9